

US00D827974S

(12) **United States Design Patent** (10) **Patent No.:** **US D827,974 S**
Gossen, IV et al. (45) **Date of Patent:** **** Sep. 4, 2018**

(54) **TURTLE COIN BANK**

(71) Applicants: **Joseph Peter Gossen, IV**, Lafayette, LA (US); **Gwendolyn Sandi Gossen**, Lafayette, LA (US)

(72) Inventors: **Joseph Peter Gossen, IV**, Lafayette, LA (US); **Gwendolyn Sandi Gossen**, Lafayette, LA (US)

(**) Term: **15 Years**

(21) Appl. No.: **29/620,503**

(22) Filed: **Jan. 23, 2017**

(51) **LOC (11) Cl.** **99-00**

(52) **U.S. Cl.**
USPC **D99/37**

(58) **Field of Classification Search**
USPC D99/28, 34, 35, 36, 37, 38, 40, 43, 99; D9/600, 601, 607; D21/603, 619; 206/0.8, 0.81, 0.815, 0.82, 0.83, 0.84, 206/527; 109/1 V, 1 R, 2, 45, 58, 59 R
CPC E05B 65/0075; E05G 1/00; E05G 1/005; E05G 1/024; E05G 2700/00; E05G 2700/02; A45C 1/12; A45C 2001/125; G07D 11/0006; G07D 11/0009; G07D 11/00; G07D 9/00; G07D 9/002; G07D 9/004; G07D 9/02; G07F 9/06; G07F 9/08; G07F 11/00
See application file for complete search history.

(56) **References Cited**

U.S. PATENT DOCUMENTS

423,276 A * 3/1890 Rechj, Jr. A45C 1/12
232/4 R

2,218,431 A * 10/1940 McGee A45C 1/12
232/4 R

3,135,566 A * 6/1964 Frank G07D 9/004
206/0.82

D206,182 S * 11/1966 Kopas D99/34
3,312,336 A * 4/1967 Fally G07D 9/004
206/0.82

D208,873 S * 10/1967 Skupien D7/507

D262,324 S * 12/1981 Erkelenz D99/38

4,871,055 A * 10/1989 Poythress G07F 17/3213
194/344

4,878,867 A * 11/1989 Dworman A45C 1/12
206/0.815

5,074,561 A * 12/1991 Johnson A63F 9/001
273/153 S

D334,455 S * 3/1993 Dworman D99/37

D356,424 S * 3/1995 August D99/37

D356,425 S * 3/1995 August D99/37

D356,426 S * 3/1995 August D99/37

D356,427 S * 3/1995 August D99/37

D358,016 S * 5/1995 August D99/37

D374,904 S * 10/1996 Miller D21/603

D390,000 S * 2/1998 Savas D3/208

D416,660 S * 11/1999 Lin D23/226

D441,172 S * 4/2001 Snyder D99/35

D443,126 S * 5/2001 Reviea D99/34

(Continued)

Primary Examiner — Elizabeth J Oswecki

(57) **CLAIM**

The ornamental design for a turtle coin bank, as shown and described.

DESCRIPTION

FIG. 1 is a perspective view of a turtle coin bank, showing our new design;

FIG. 2 is a front elevation view thereof;

FIG. 3 is a rear elevation view thereof;

FIG. 4 is a right side elevation view thereof;

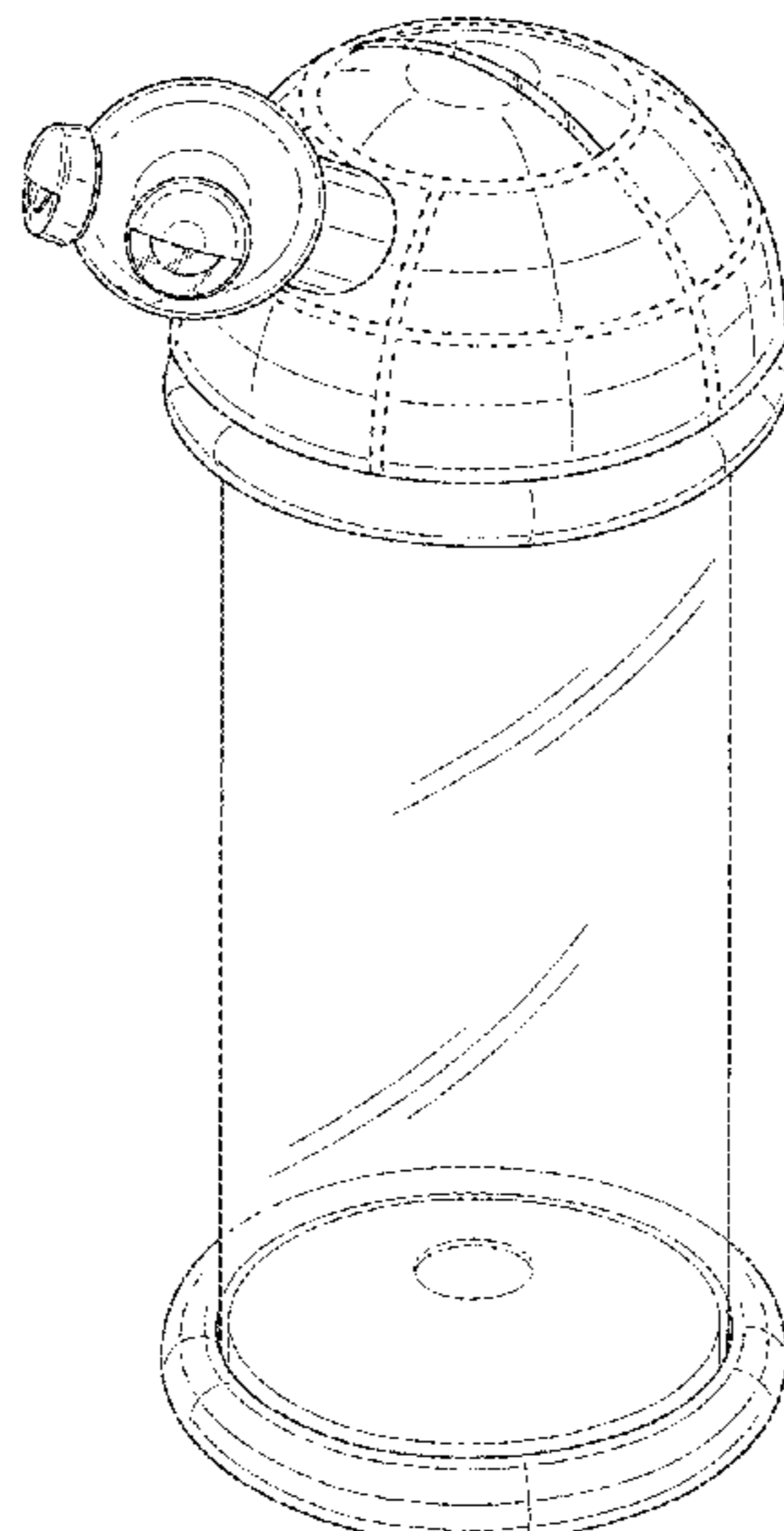
FIG. 5 is a left side elevation view thereof;

FIG. 6 is a top plan view thereof; and,

FIG. 7 is a bottom plan view thereof.

The broken lines shown in the drawings represent portions of the turtle coin bank that form no part of the claimed design.

1 Claim, 7 Drawing Sheets



(56)

References Cited

U.S. PATENT DOCUMENTS

D455,887	S	*	4/2002	Yu	D99/37
D462,500	S	*	9/2002	Perkitny	D99/37
D470,992	S	*	2/2003	Perkitny	D99/37
D491,335	S	*	6/2004	Nwadike	D99/34
D492,084	S	*	6/2004	Wilson	D99/37
D519,166	S	*	4/2006	Chuang	D21/479
D546,061	S	*	7/2007	Jhuang	D21/611
D554,432	S	*	11/2007	Roth	D7/510
D621,575	S	*	8/2010	Grossi	D99/37
D627,935	S	*	11/2010	Rutherford	D21/603
D631,635	S	*	1/2011	Tuli	D99/37
D662,156	S	*	6/2012	Chen	D21/578
D662,157	S	*	6/2012	Chiu	D21/578
D688,746	S	*	8/2013	Hung	D19/86
D711,091	S	*	8/2014	Mooney	D21/603
D776,208	S	*	1/2017	Johnson	D21/603
2004/0124099	A1	*	7/2004	Fields	A45C 1/02 206/0.815

* cited by examiner

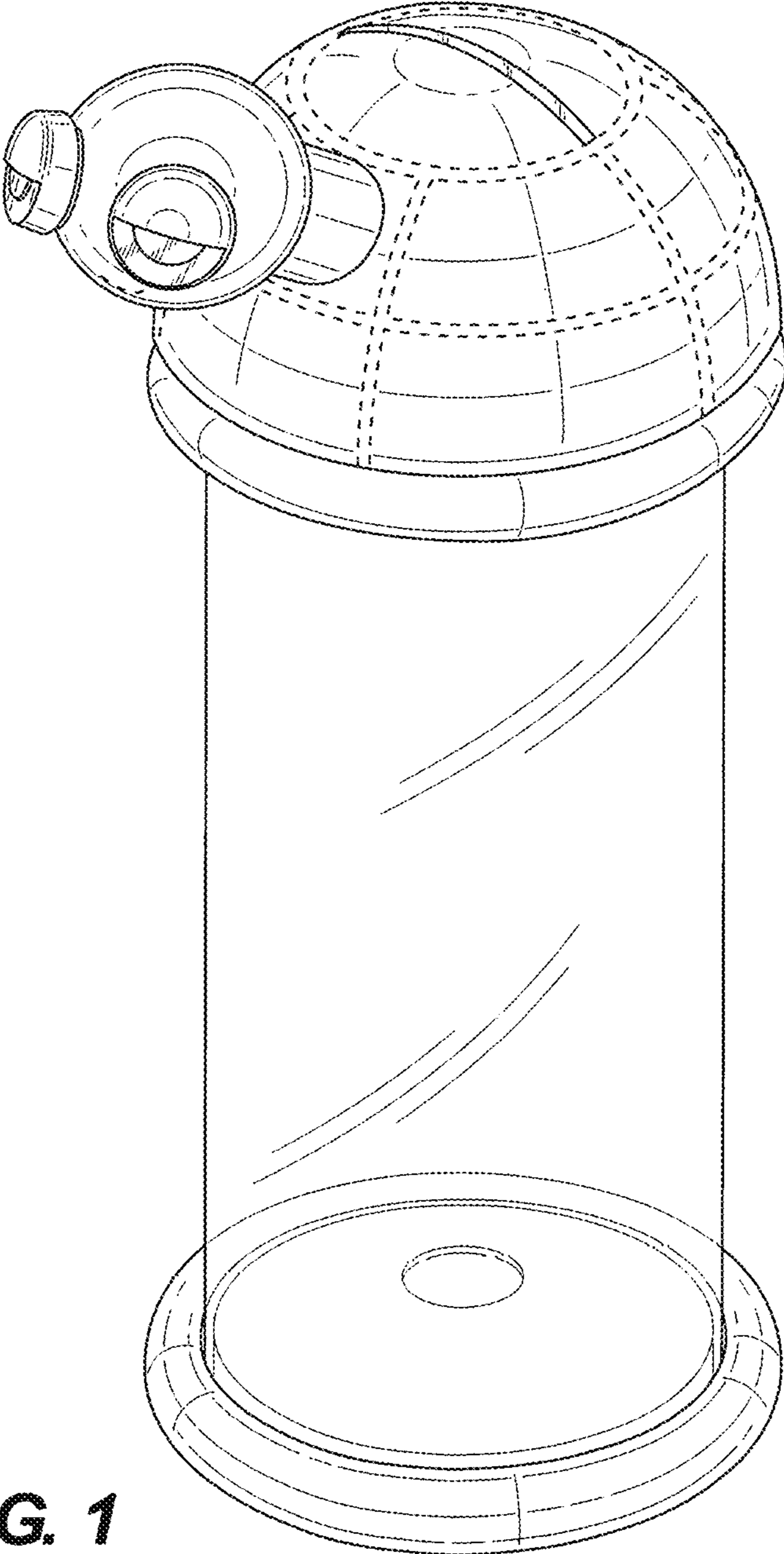


FIG. 1

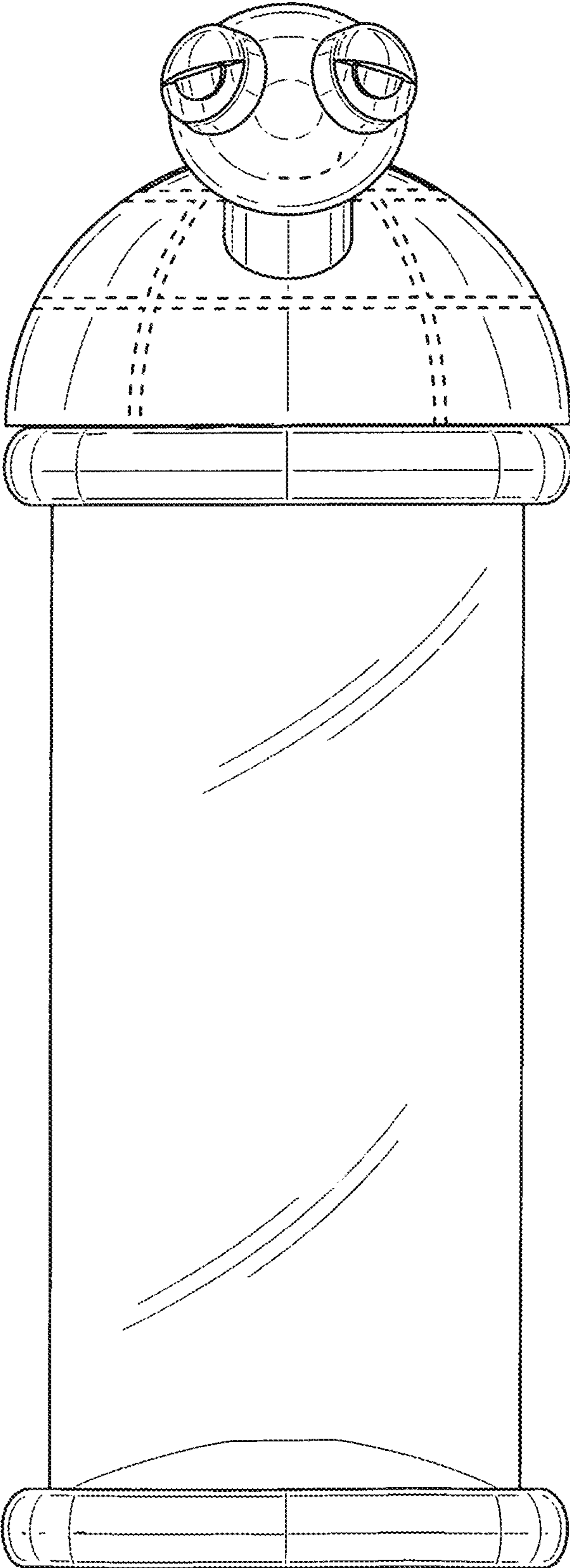


FIG. 2

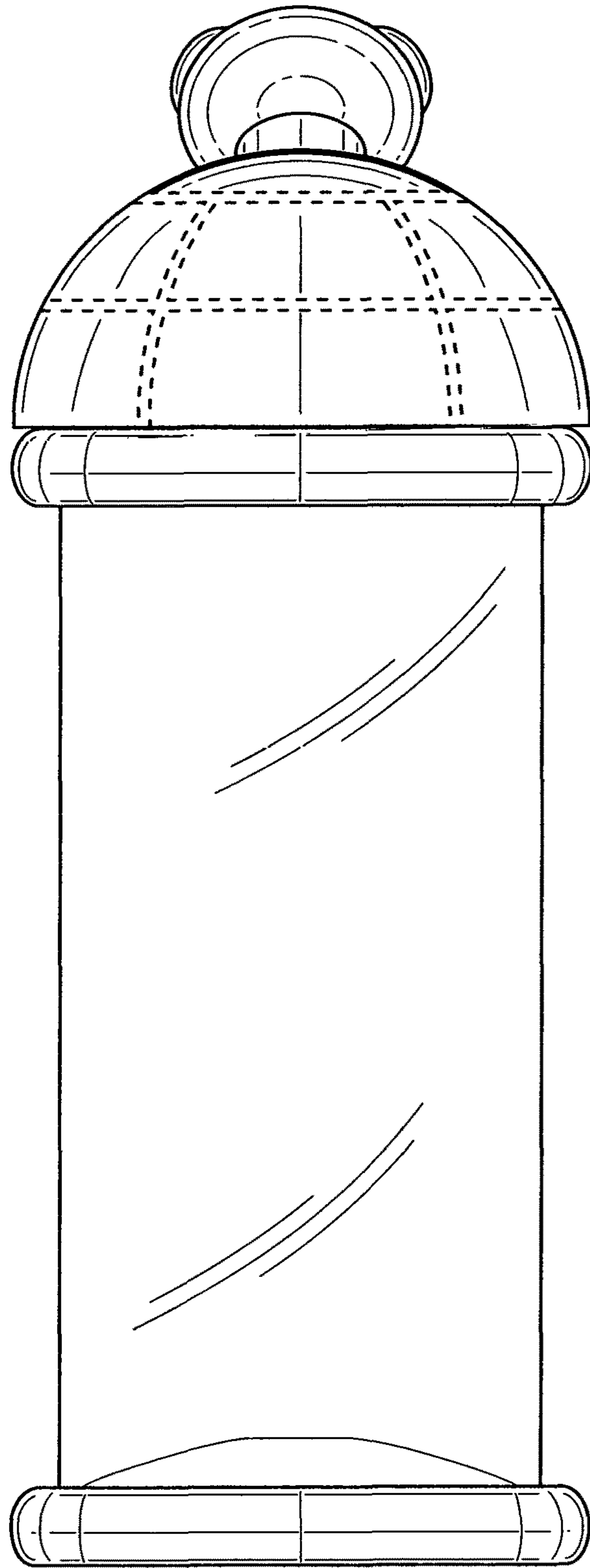


FIG. 3

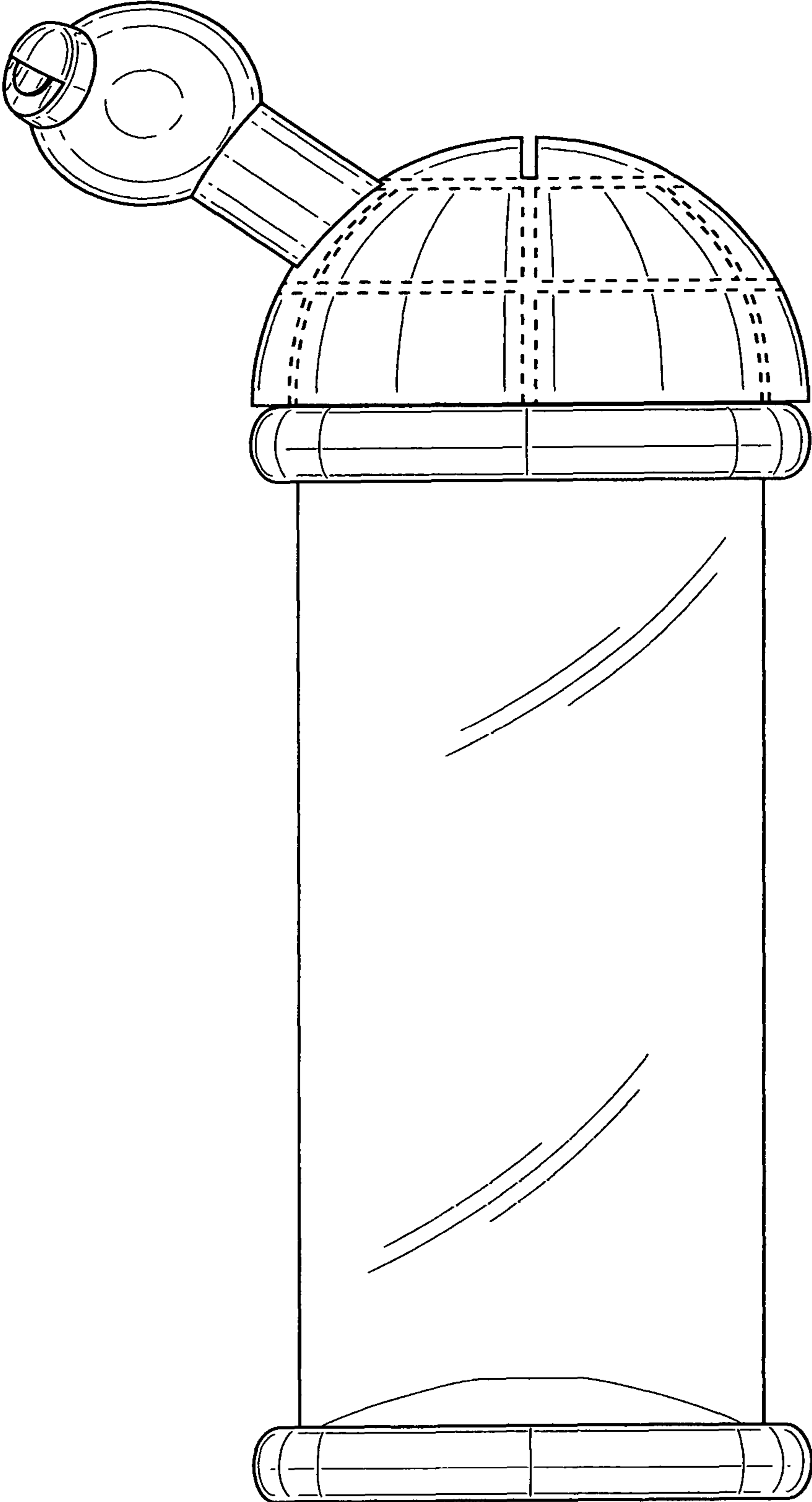


FIG. 4

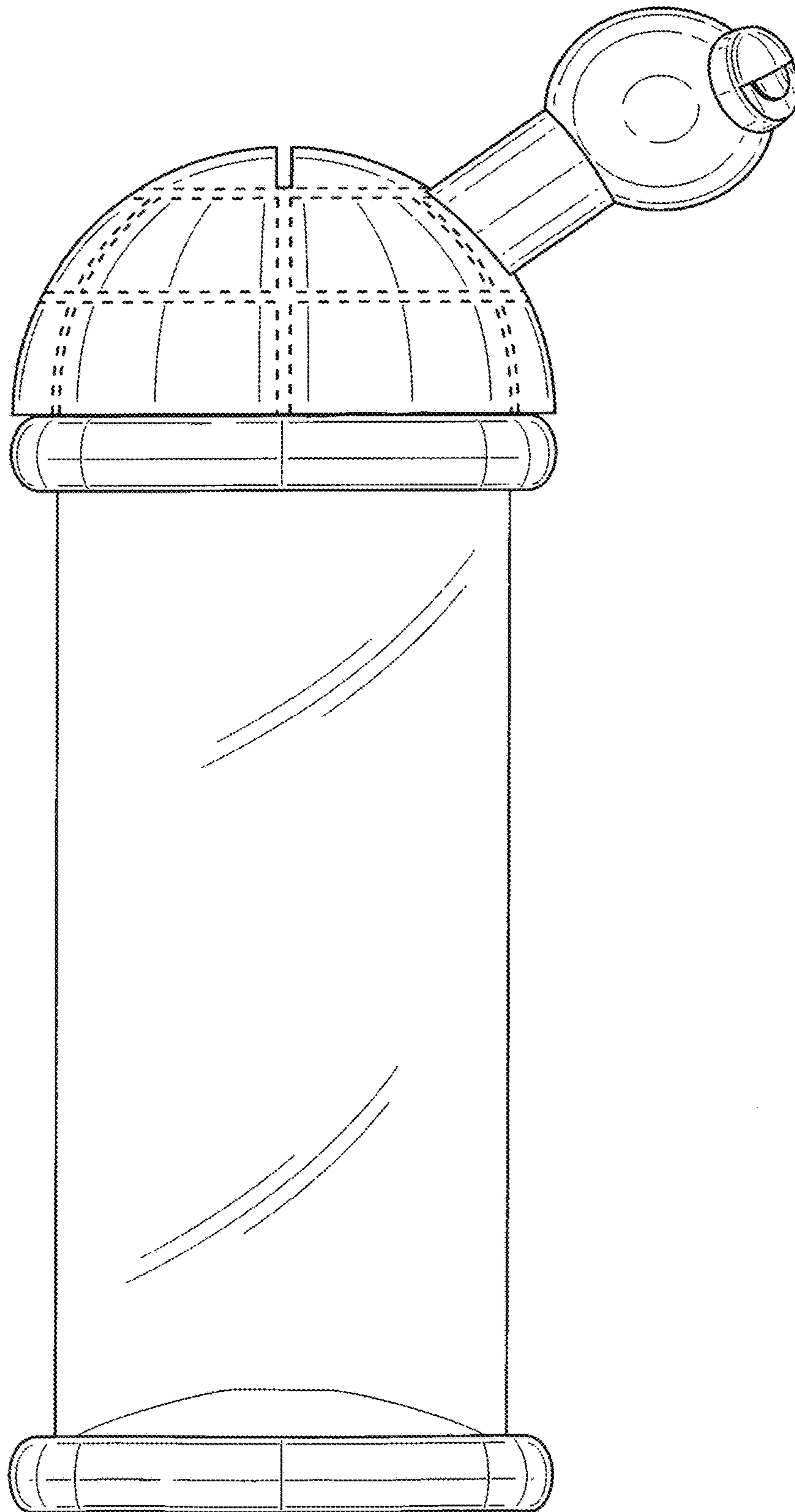


FIG. 5

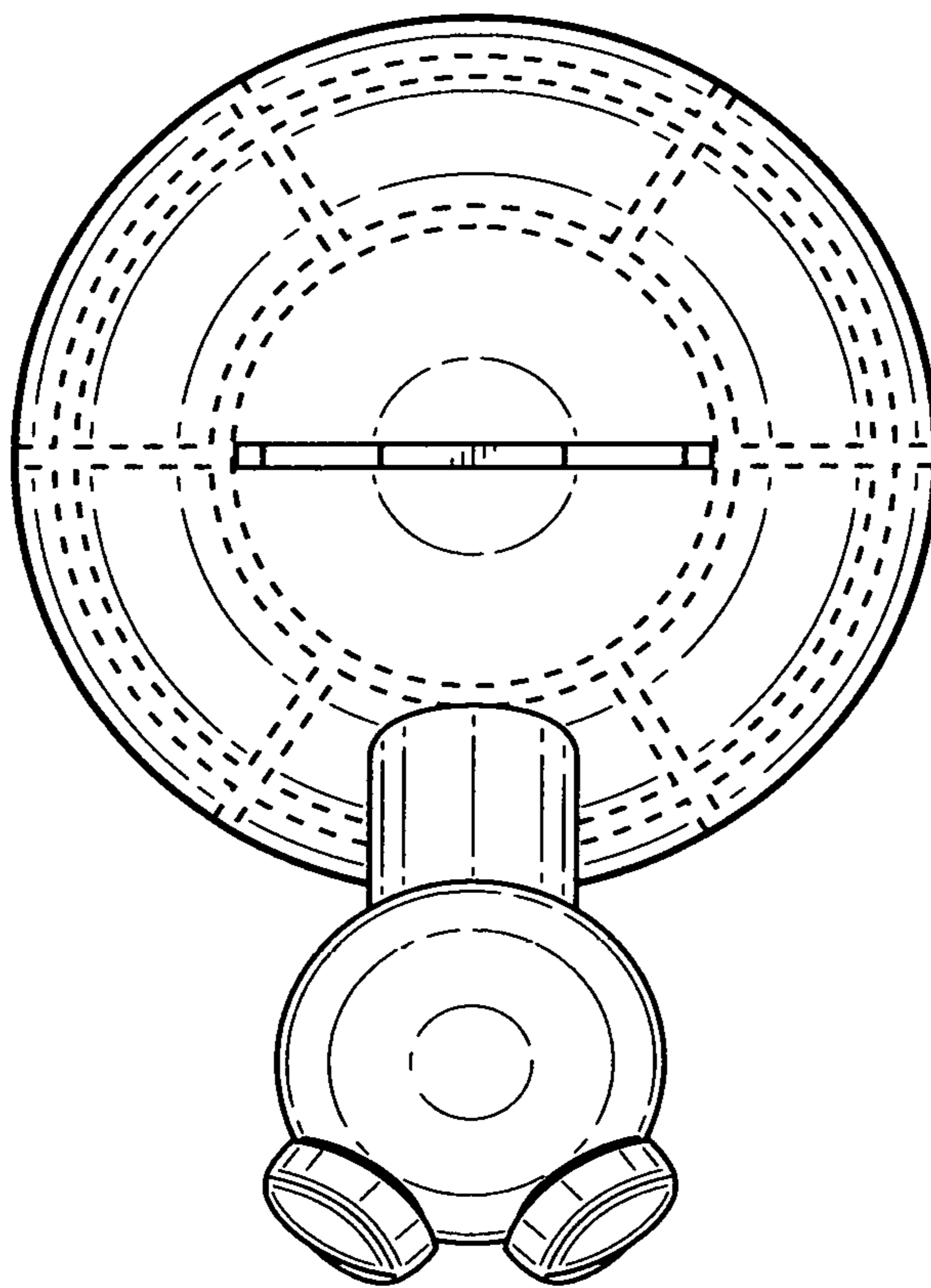


FIG. 6

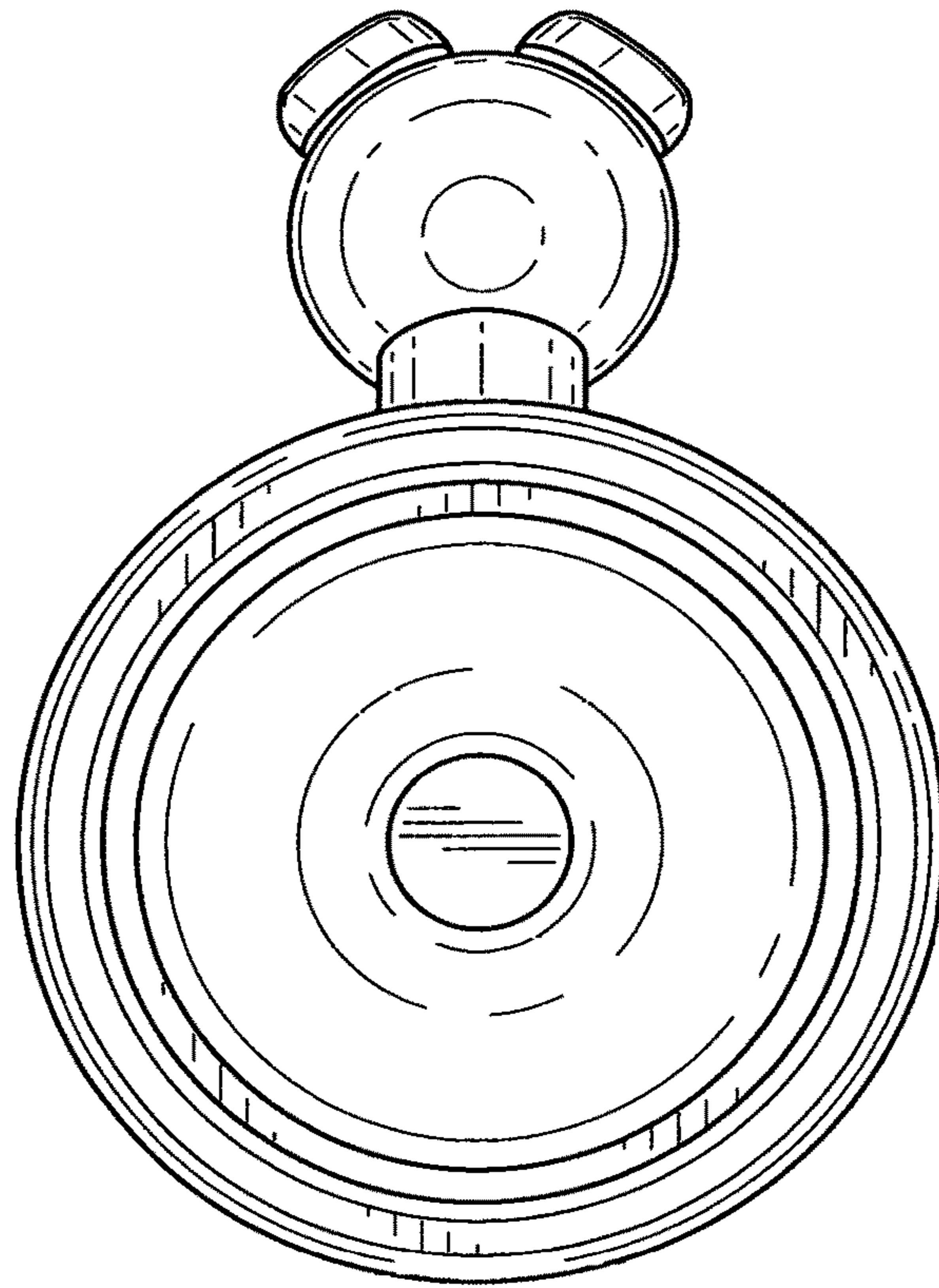


FIG. 7