



US00D827973S

(12) **United States Design Patent** (10) **Patent No.:** **US D827,973 S**
Stoner (45) **Date of Patent:** **** Sep. 4, 2018**

(54) **VEHICLE RAMP LATCH**
(71) Applicant: **The Braun Corporation**, Winamac, IN (US)
(72) Inventor: **James Stoner**, Star City, IN (US)
(73) Assignee: **The Braun Corporation**, Winamac, IN (US)

(**) Term: **15 Years**
(21) Appl. No.: **29/584,957**

(22) Filed: **Nov. 18, 2016**
(51) **LOC (11) Cl.** **12-05**
(52) **U.S. Cl.**
USPC **D34/35; D34/32; D8/17; D8/21; D8/331**

(58) **Field of Classification Search**
USPC D34/28, 32, 35; D8/17, 21, 27, 331, 330, D8/336, 326, 382; 81/58, 88.2, 719, 81/124.2, 124.4, 125, 186
CPC B60J 7/104; A44B 13/00; A44B 13/0017; A44B 13/0023
See application file for complete search history.

(56) **References Cited**

U.S. PATENT DOCUMENTS

1,732,804 A * 10/1929 Chicoine E01B 29/16 294/15
D282,046 S * 1/1986 Dumond D8/17
D338,816 S * 8/1993 Maldonado D8/21
D397,287 S * 8/1998 Hergott D34/35
6,810,773 B2 * 11/2004 Trucchio B25B 13/08 81/13
D532,576 S * 11/2006 Simpson D34/31
D557,575 S * 12/2007 Jennings D8/27
D650,644 S * 12/2011 Dosch D8/21
D650,645 S * 12/2011 Dosch D8/21
D806,491 S * 1/2018 Glover D8/27
D814,276 S * 4/2018 Ressler D8/382

2013/0327187 A1* 12/2013 Hu B25B 13/46 81/179
2015/0122090 A1* 5/2015 Ott B25F 1/02 81/437
2015/0258670 A1* 9/2015 Wang B25B 23/0071 81/180.1
2015/0336247 A1* 11/2015 Elford B25B 23/142 81/119
2017/0095910 A1* 4/2017 Hu B25B 13/08

* cited by examiner

Primary Examiner — Cynthia Ramirez

(74) *Attorney, Agent, or Firm* — Taft Stettinius & Hollister LLP; Ryan O. White

(57) **CLAIM**

The ornamental design for a vehicle ramp latch, as shown and described.

DESCRIPTION

FIG. 1 is a front perspective view of a vehicle ramp latch that shows my new, original and ornamental design.

FIG. 2 is another front perspective view of the vehicle ramp latch of FIG. 1.

FIG. 3 is a top view of the vehicle ramp latch of FIG. 1.

FIG. 4 is a bottom view of the vehicle ramp latch of FIG. 1.

FIG. 5 is a left side view of the vehicle ramp latch of FIG. 1.

FIG. 6 is a right side view of the vehicle ramp latch of FIG. 1.

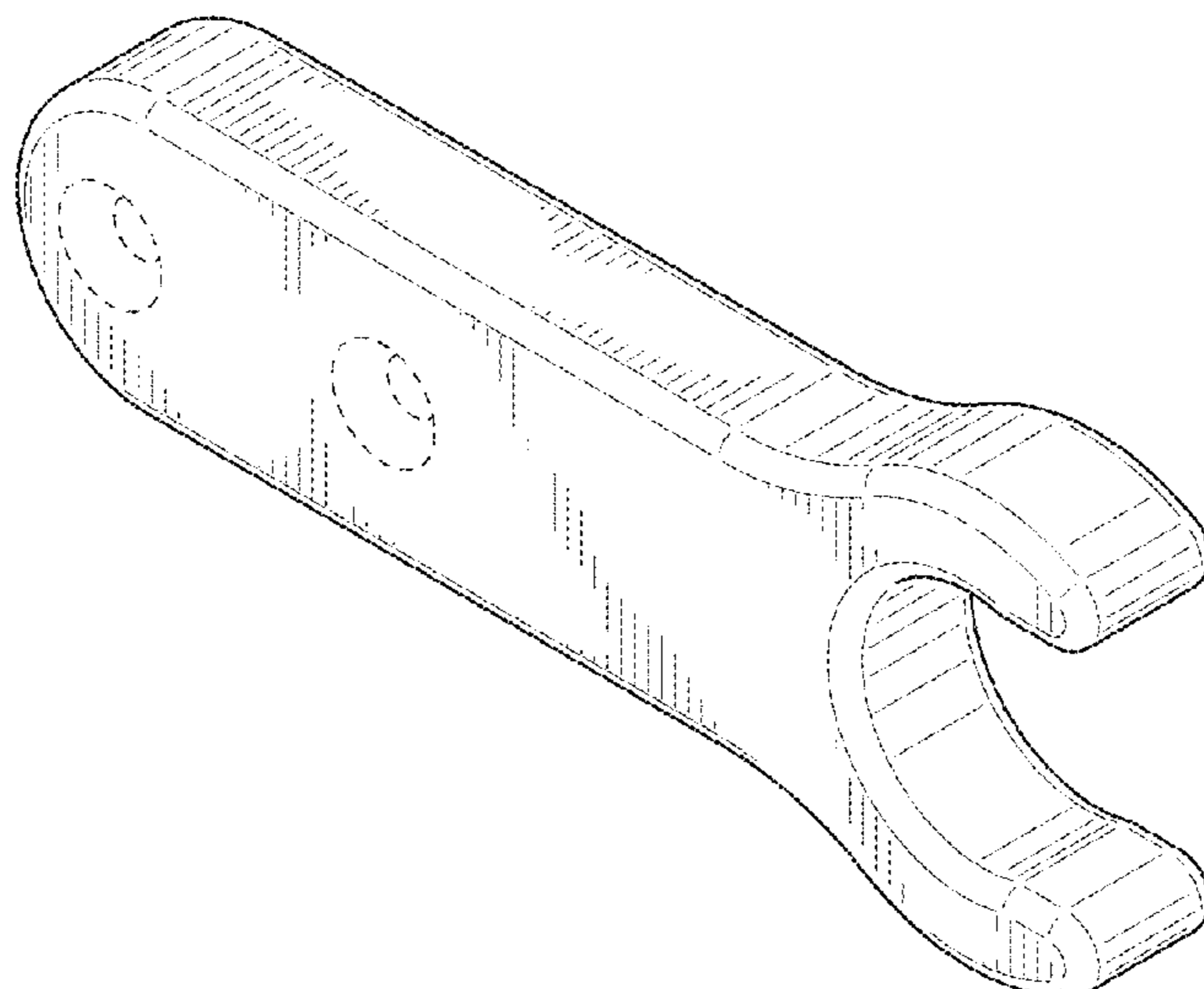
FIG. 7 is a top view of the vehicle ramp latch of FIG. 1.

FIG. 8 is a bottom view of the vehicle ramp latch of FIG. 1; and,

FIG. 9 is another perspective view of the vehicle ramp latch of FIG. 1 in condition of use.

The broken lines in FIGS. 1 through 4 are to show portions of the vehicle ramp latch that form no part of the claimed design. The broken line showing of a vehicle ramp in FIG. 9 is included for the purpose of illustrating environment and forms no part of the claimed design.

1 Claim, 4 Drawing Sheets



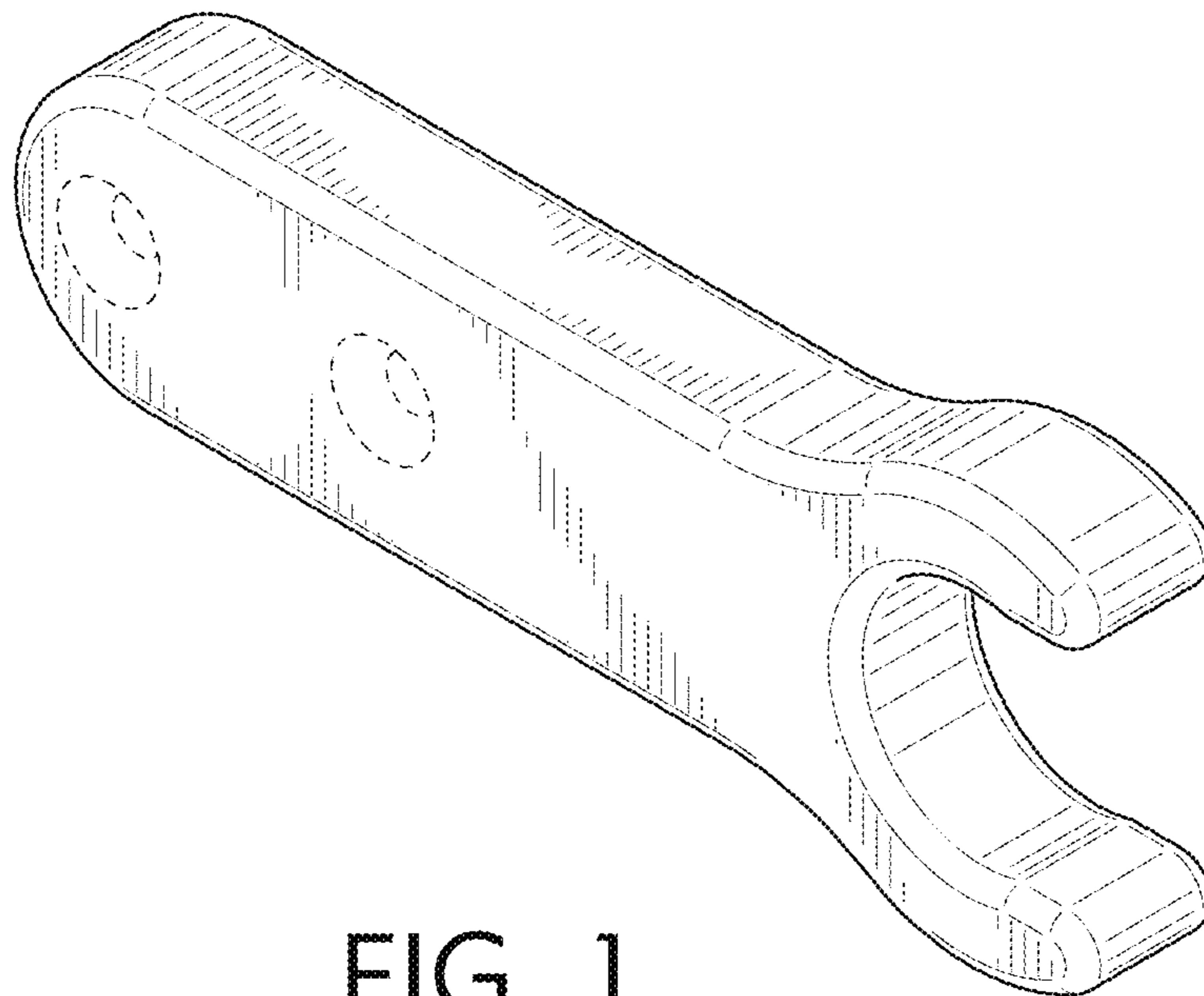


FIG. 1

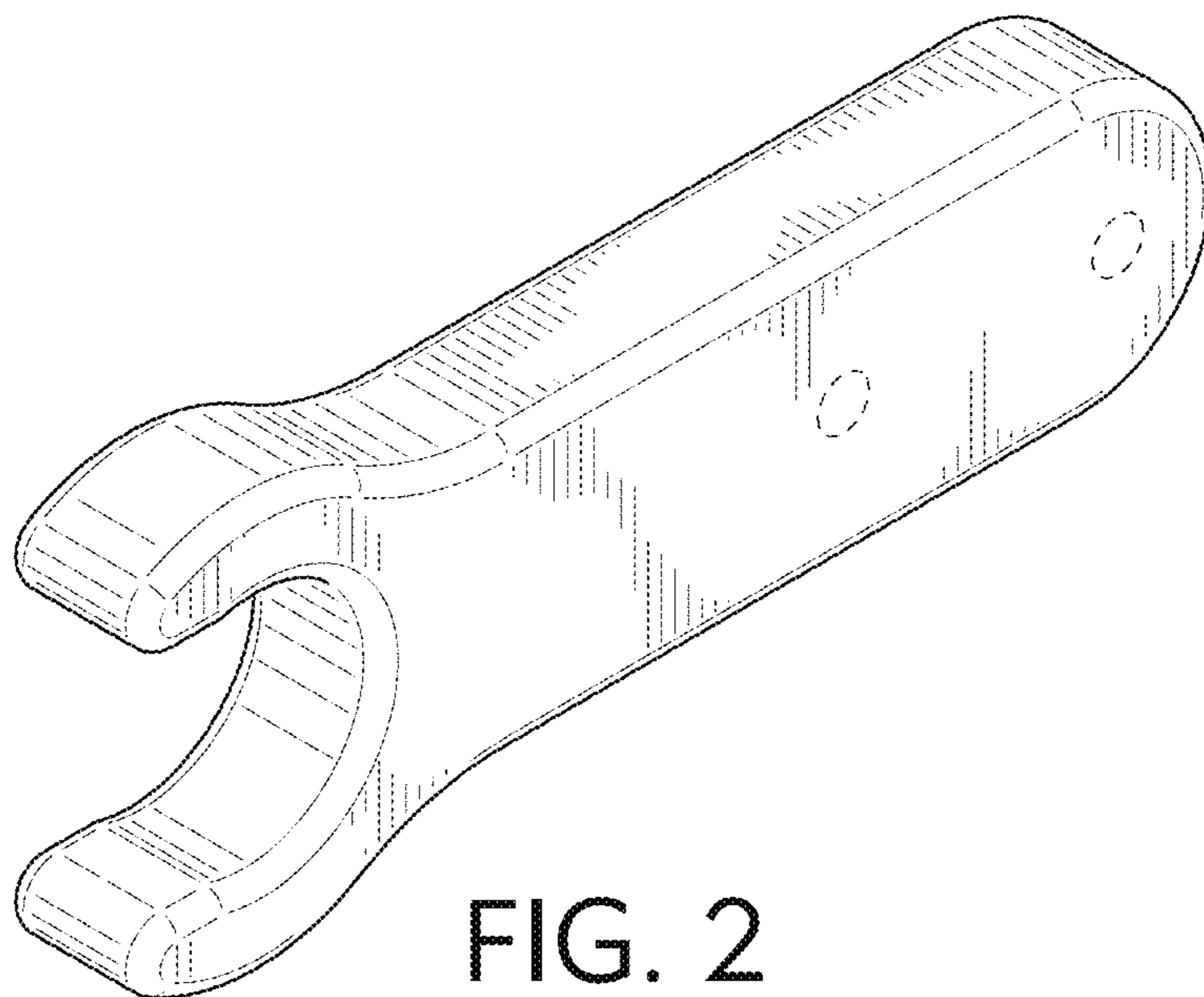


FIG. 2

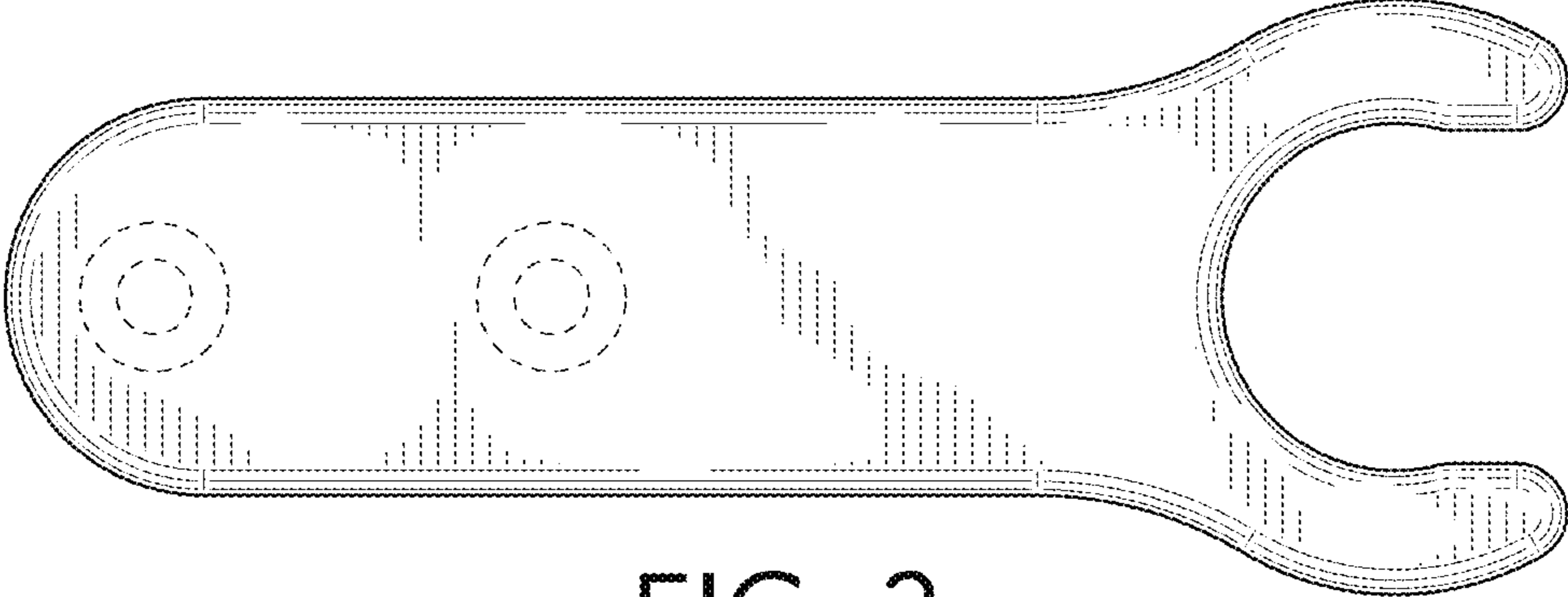


FIG. 3

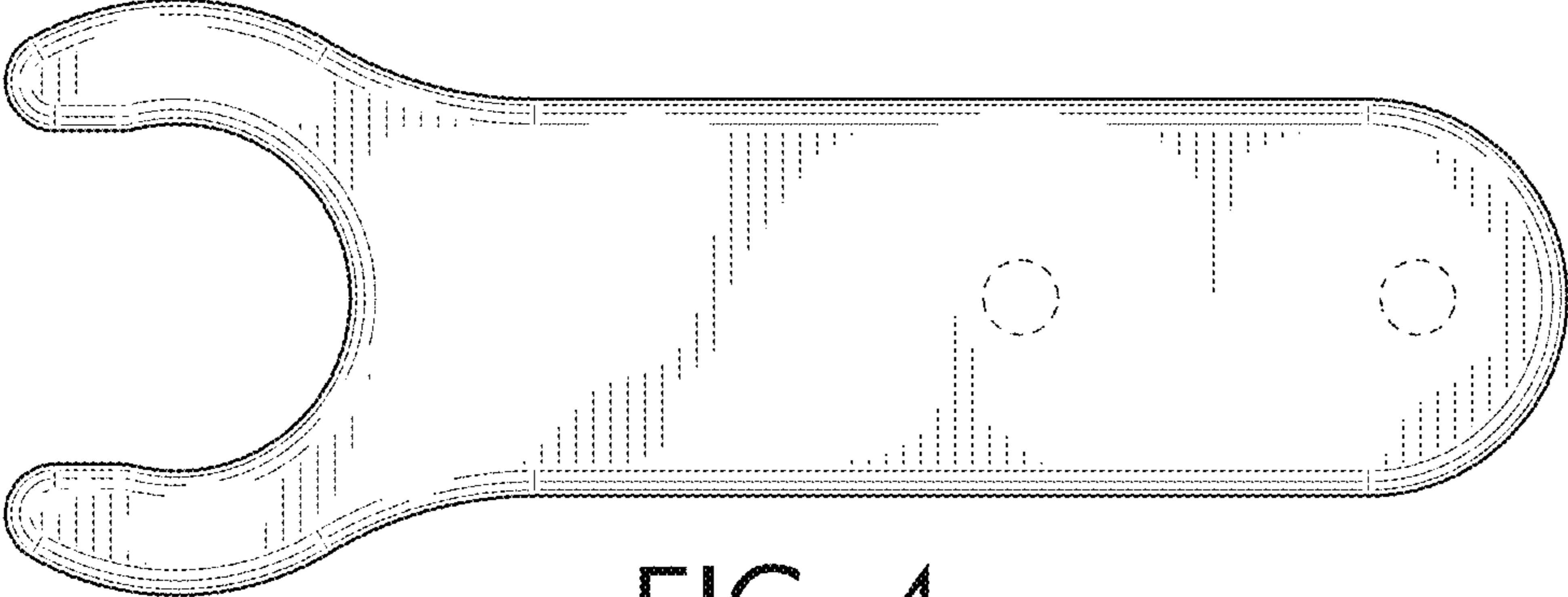


FIG. 4

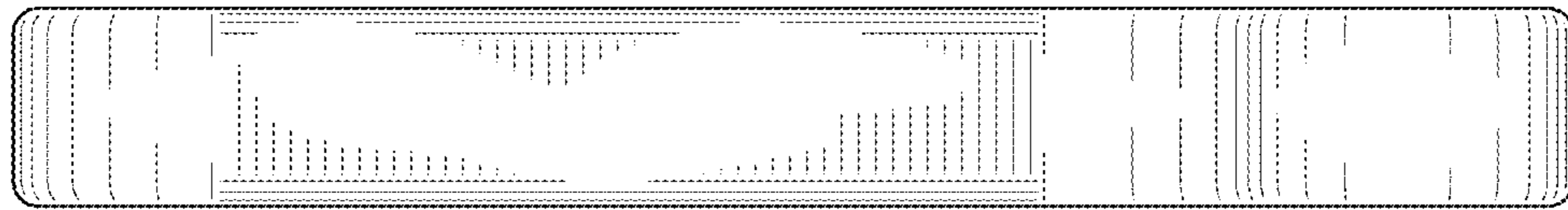


FIG. 5

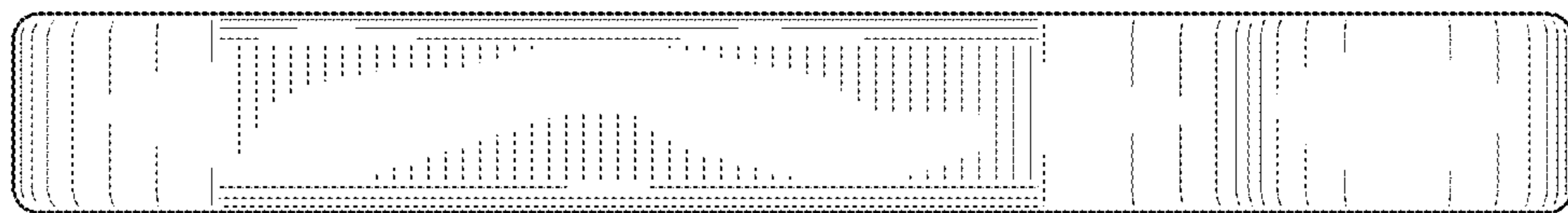


FIG. 6

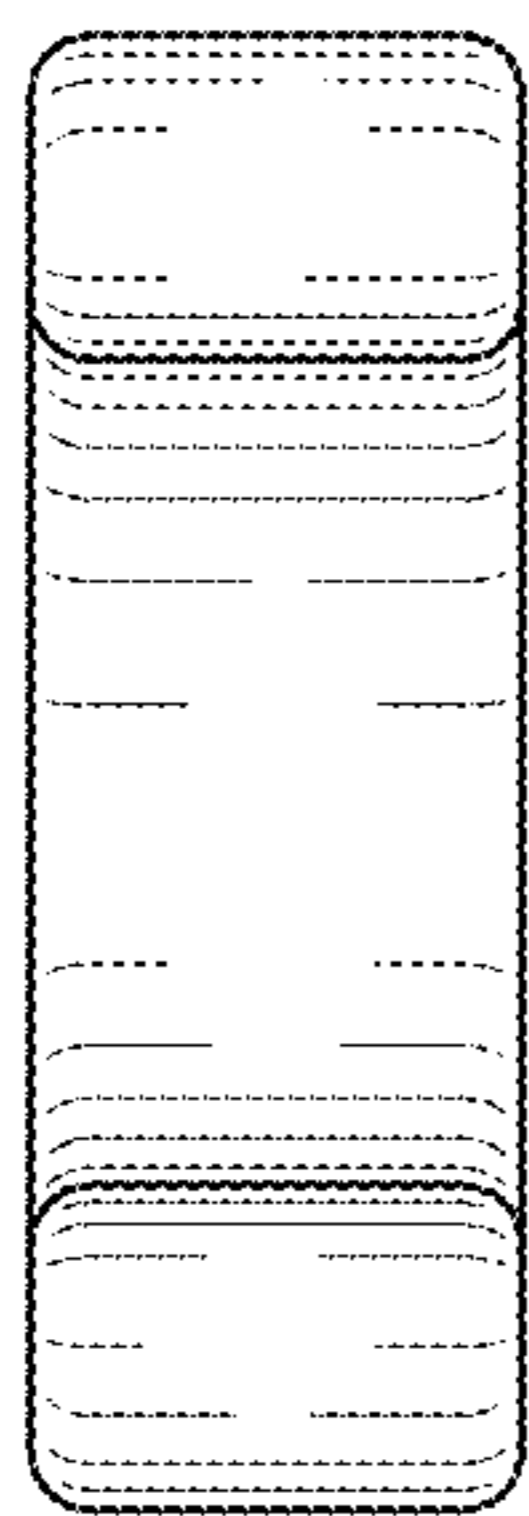


FIG. 7

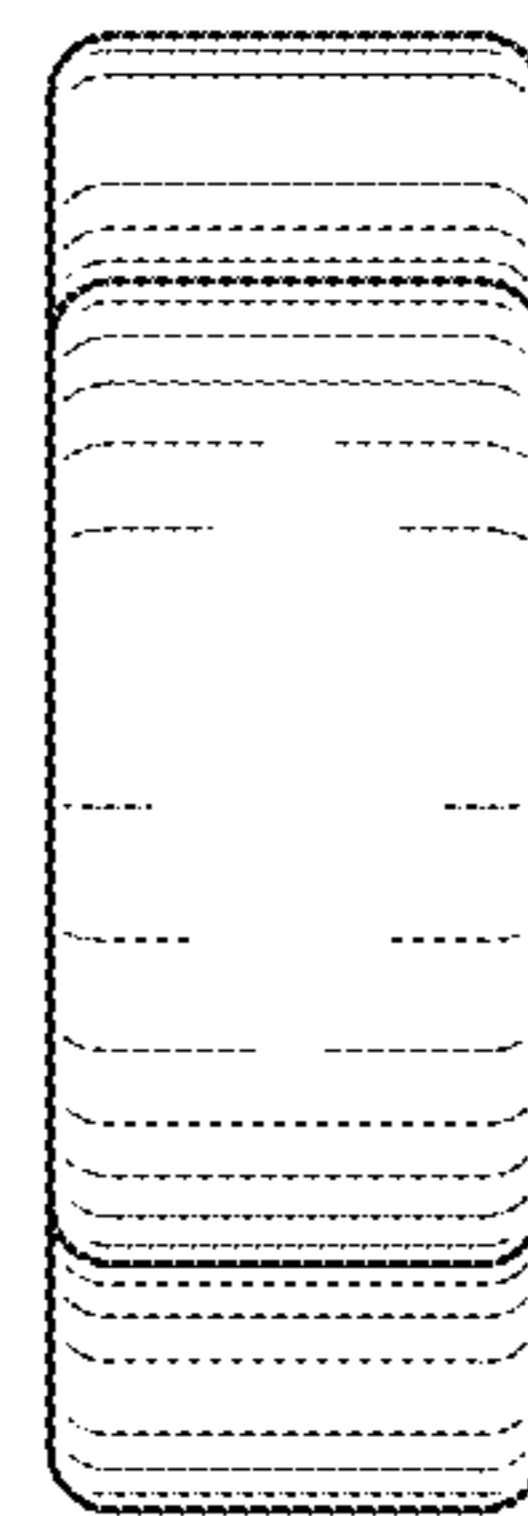


FIG. 8

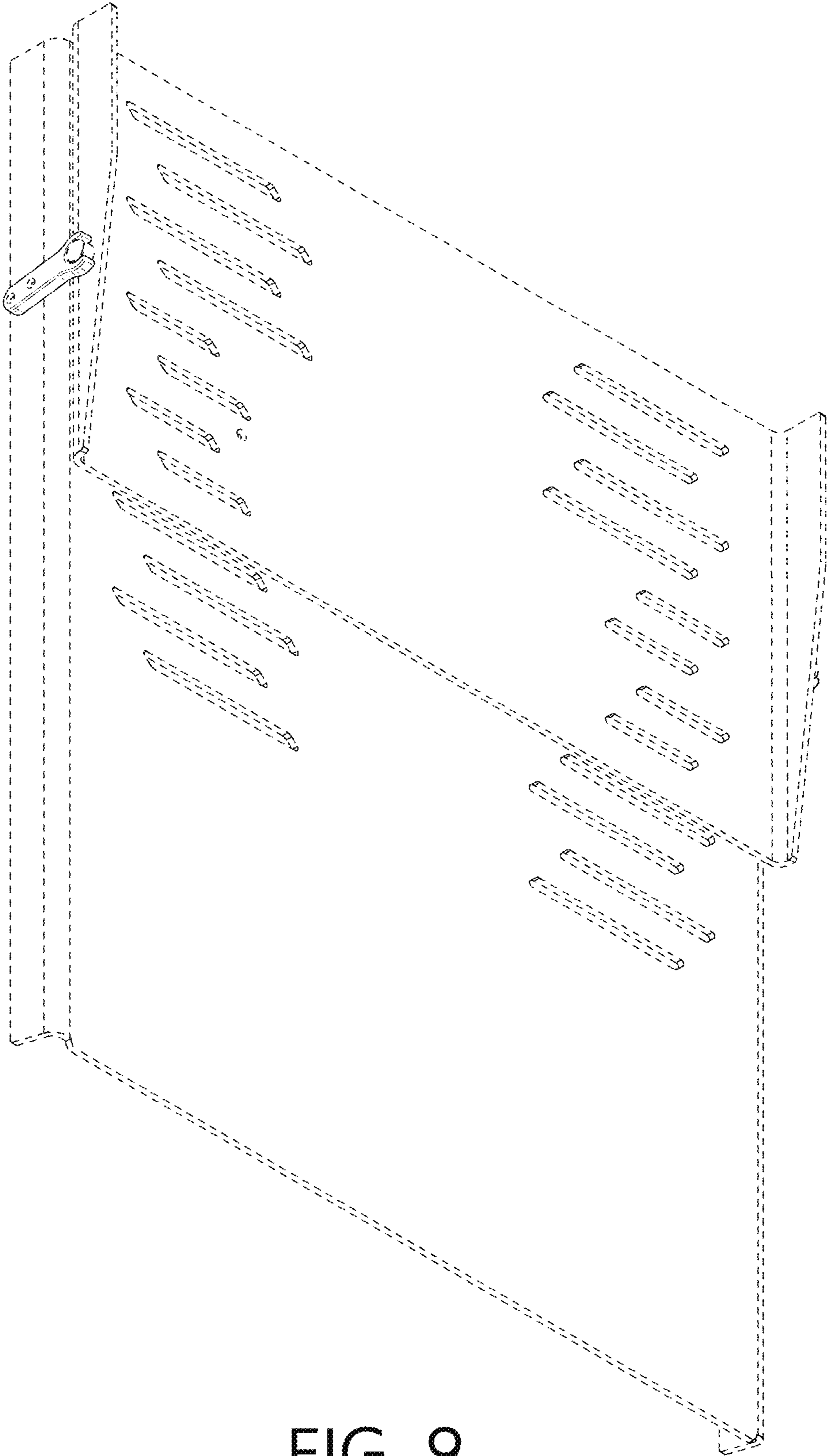


FIG. 9