



US00D827971S

(12) **United States Design Patent**
Stubbs, II

(10) **Patent No.:** **US D827,971 S**
(45) **Date of Patent:** **** Sep. 4, 2018**

(54) **STORAGE CART**

D242,908 S * 1/1977 Seider D34/14
D411,044 S * 6/1999 Maddux D34/14
D556,416 S * 11/2007 Zorzo D34/14

(71) Applicant: **STORSYSTEM LIMITED**, Dunstable,
Bedfordshire (GB)

* cited by examiner

(72) Inventor: **David A. Stubbs, II**, Bogart, GA (US)

Primary Examiner — Cynthia Ramirez

(73) Assignee: **STORSYSTEM LIMITED**, Dunstable
(GB)

(74) *Attorney, Agent, or Firm* — Knobbe, Martens, Olson
& Bear, LLP

(**) Term: **15 Years**

(57) **CLAIM**

(21) Appl. No.: **29/582,465**

The ornamental design for a storage cart, as shown and
described.

(22) Filed: **Oct. 27, 2016**

DESCRIPTION

(51) **LOC (11) Cl.** **12-02**

(52) **U.S. Cl.**
USPC **D34/21**

(58) **Field of Classification Search**
USPC D34/12-27; 280/30, 5.32, 651, 47.35,
280/79.11, 79.3, 47.26, 79.2, 47.131
CPC B62B 1/00; B62B 7/00; B62B 3/02; B62B
3/005

See application file for complete search history.

(56) **References Cited**

U.S. PATENT DOCUMENTS

D174,957 S * 6/1955 Hunt 280/79.2
D188,487 S * 8/1960 Molitor D34/21
D188,845 S * 9/1960 Wiley D24/234
D189,662 S * 1/1961 Frick D34/19
D205,523 S * 8/1966 Doman D34/19
D216,684 S * 3/1970 Doman D21/702
3,861,767 A * 1/1975 Mead B65F 1/1426
248/907

FIG. 1 is a front perspective view of a storage cart showing
a first configuration of my new design;
FIG. 2 is a front perspective view thereof in a different
configuration;
FIG. 3 is a rear perspective view of the design as shown in
FIG. 1;
FIG. 4 is a front elevational view of the design as shown in
FIG. 1;
FIG. 5 is a rear elevational view of the design as shown in
FIG. 1;
FIG. 6 is a right side elevational view of the design as shown
in FIG. 1;
FIG. 7 is a left side elevational view of the design as shown
in FIG. 1; and,
FIG. 8 is a top plan view of the design as shown in FIG. 1.
The broken lines shown in FIGS. 1, 2, and 4 depict envi-
ronmental features of the storage cart which form no part of
the claimed design.

1 Claim, 8 Drawing Sheets

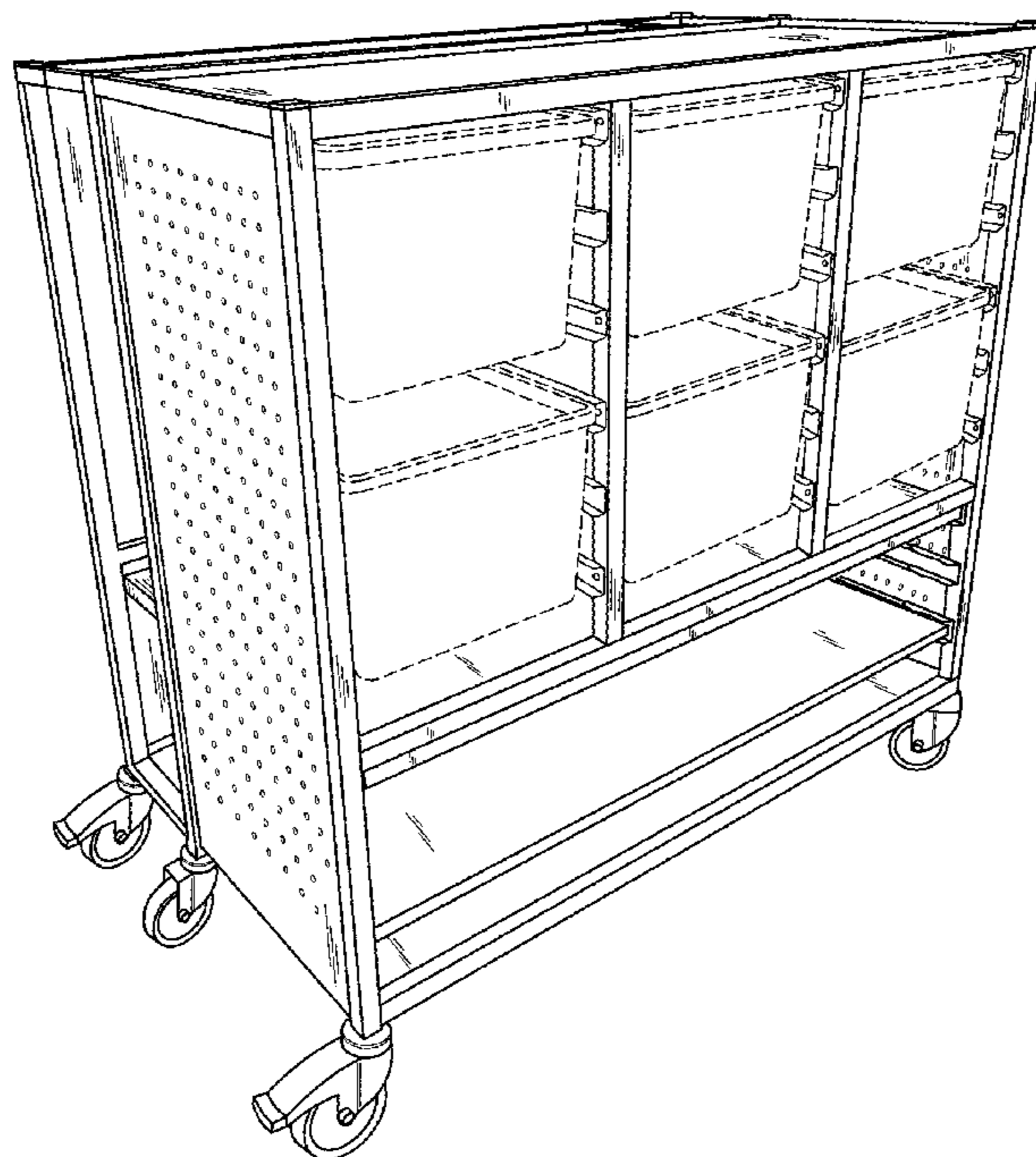




Fig. 1

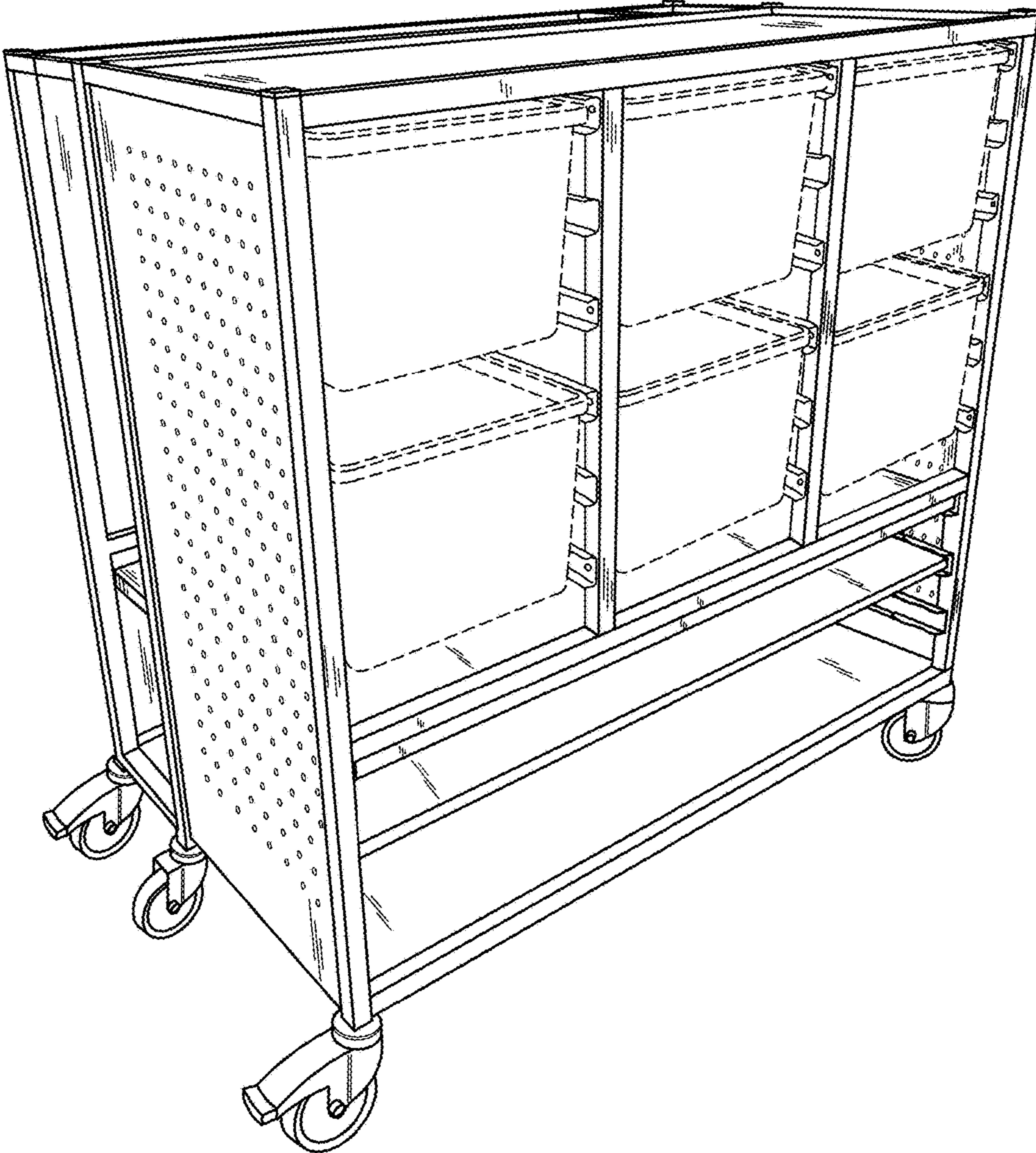


Fig. 2

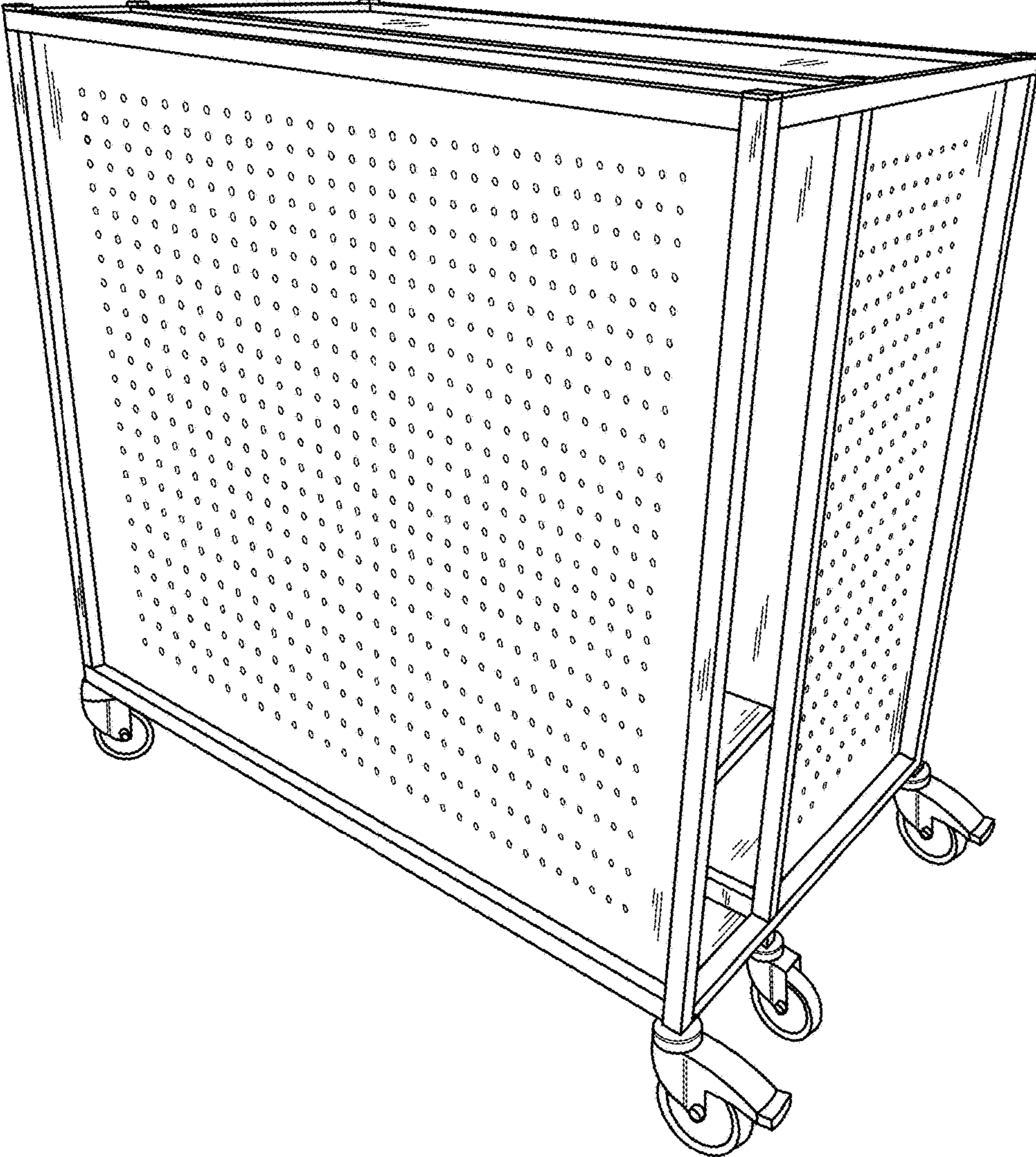


Fig. 3

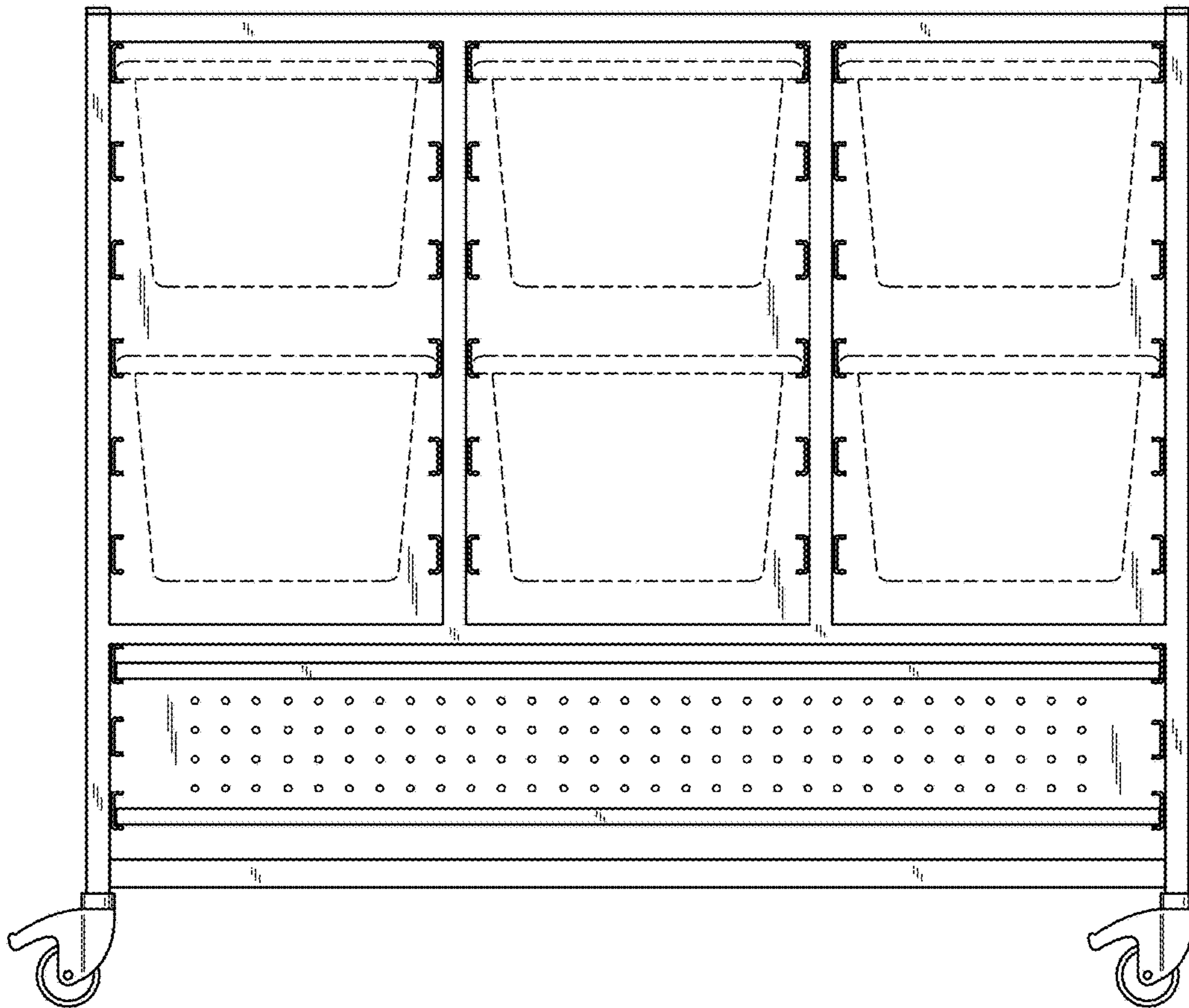


Fig. 4

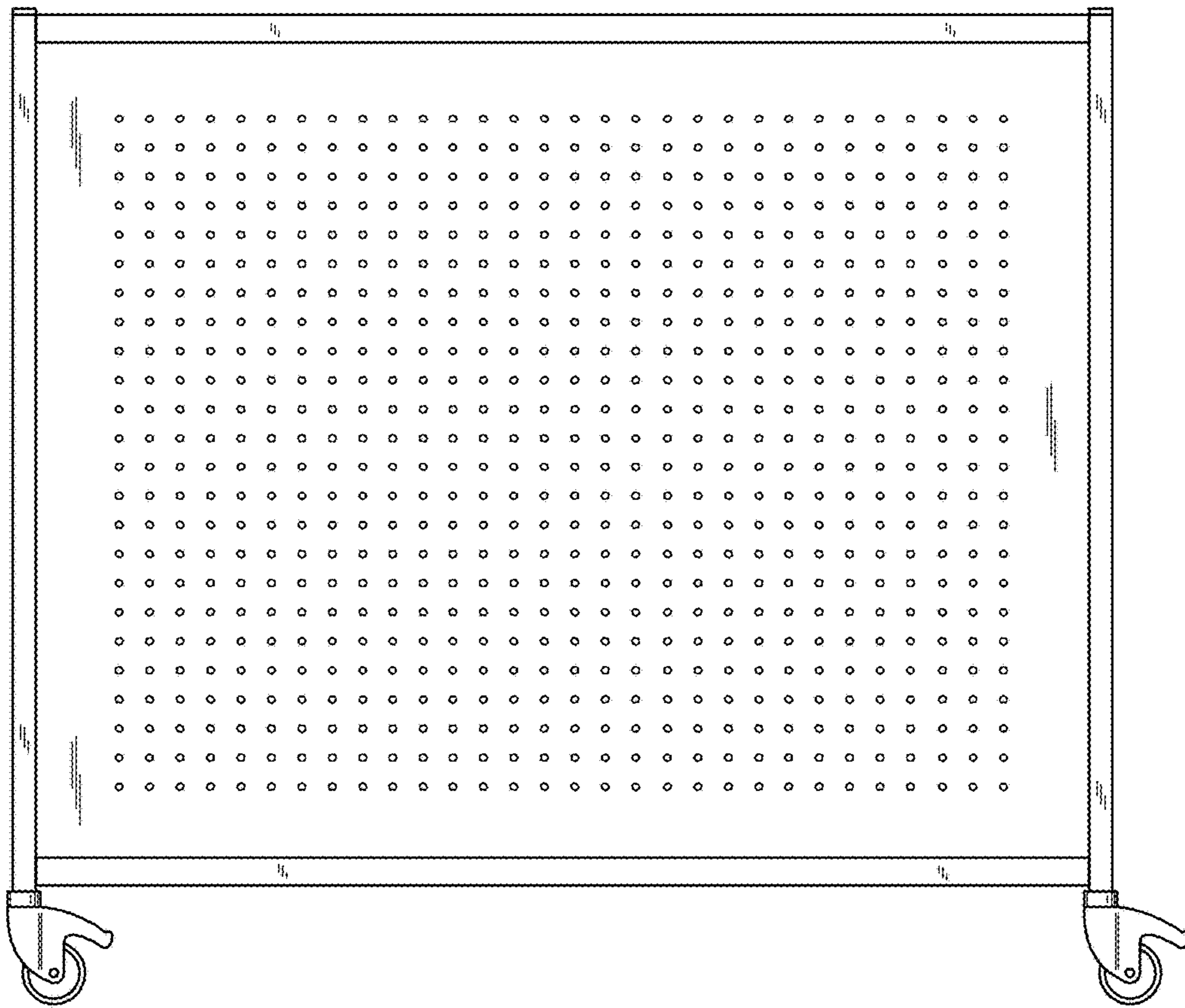


Fig. 5

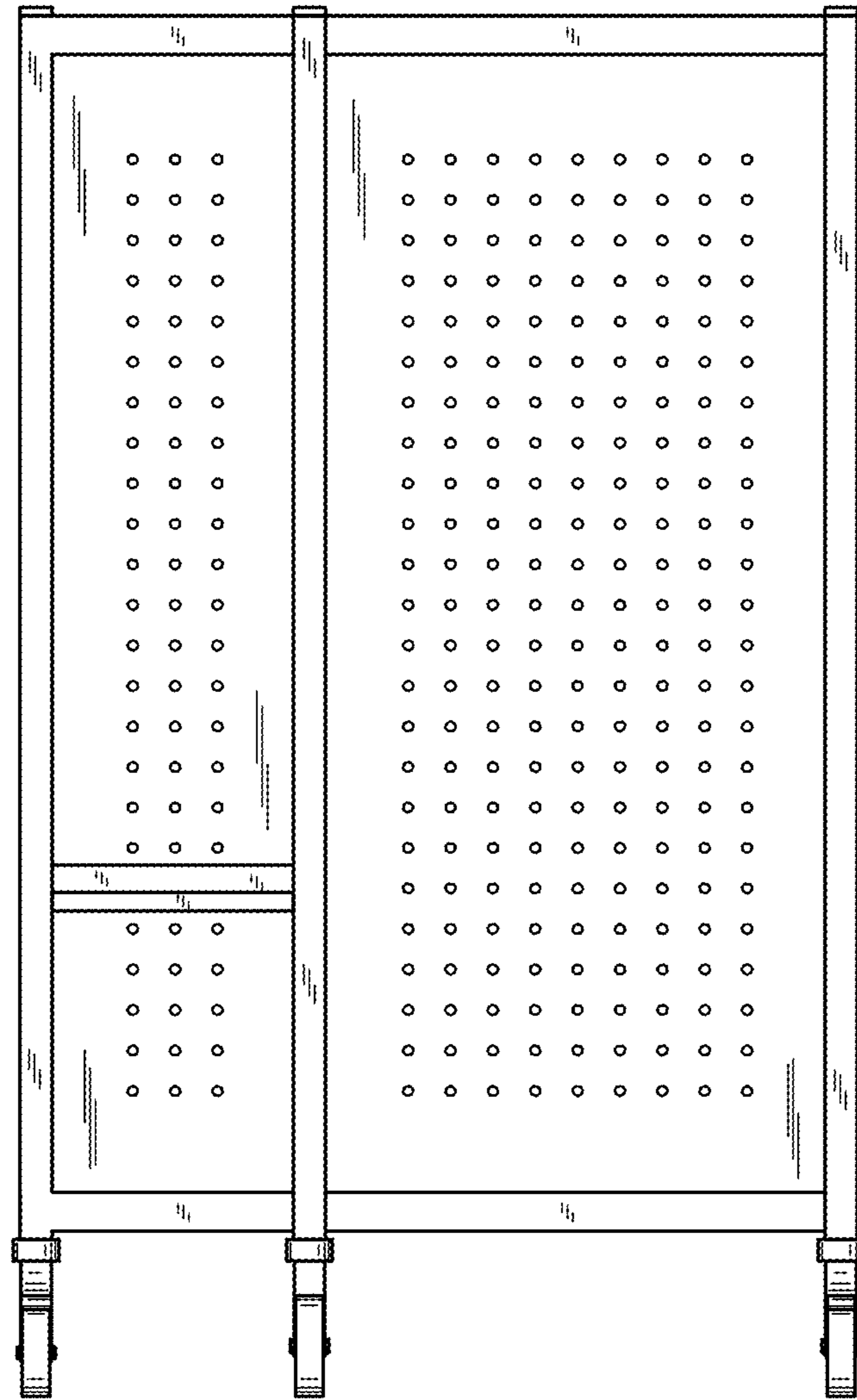


Fig. 6

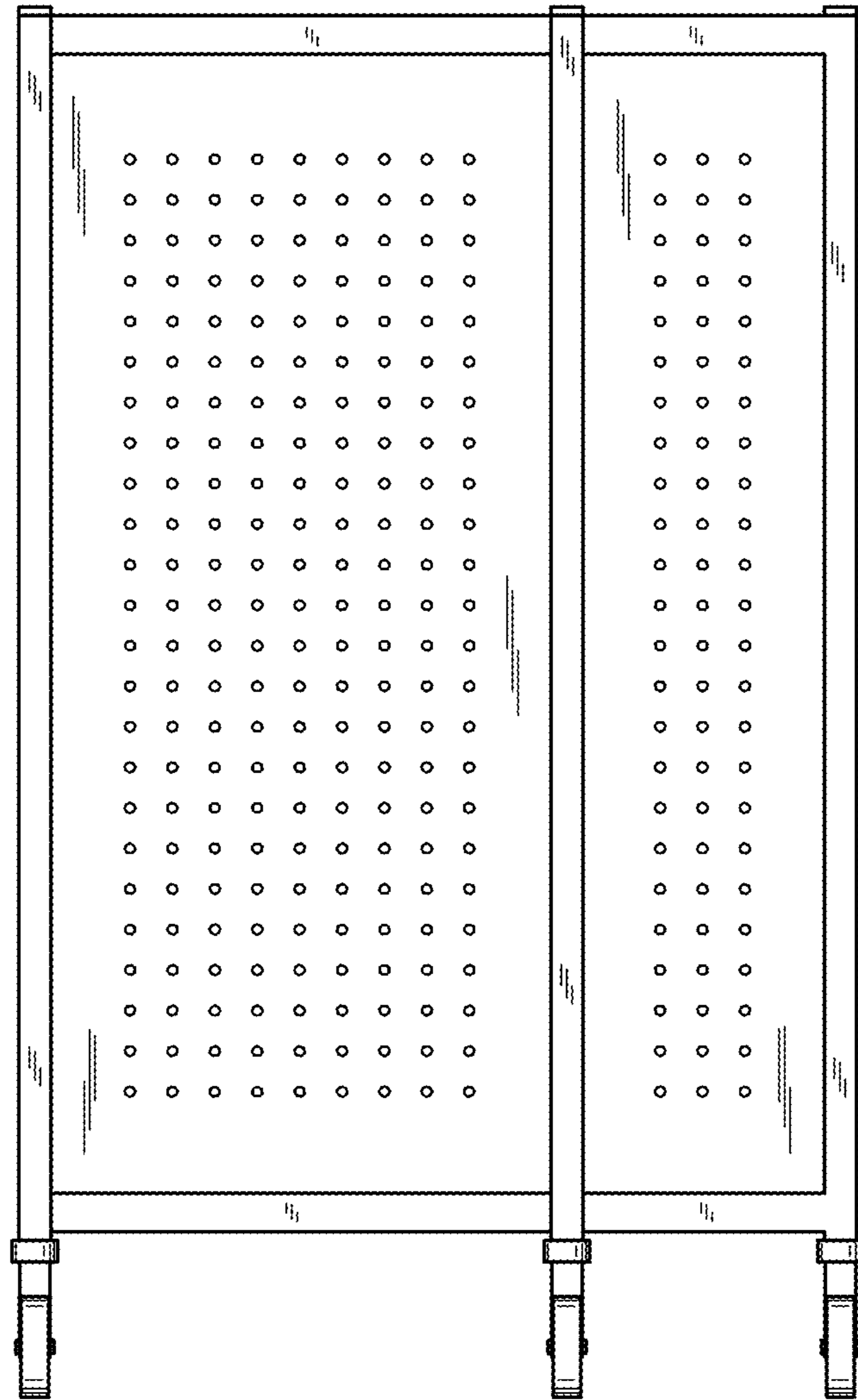


Fig. 7

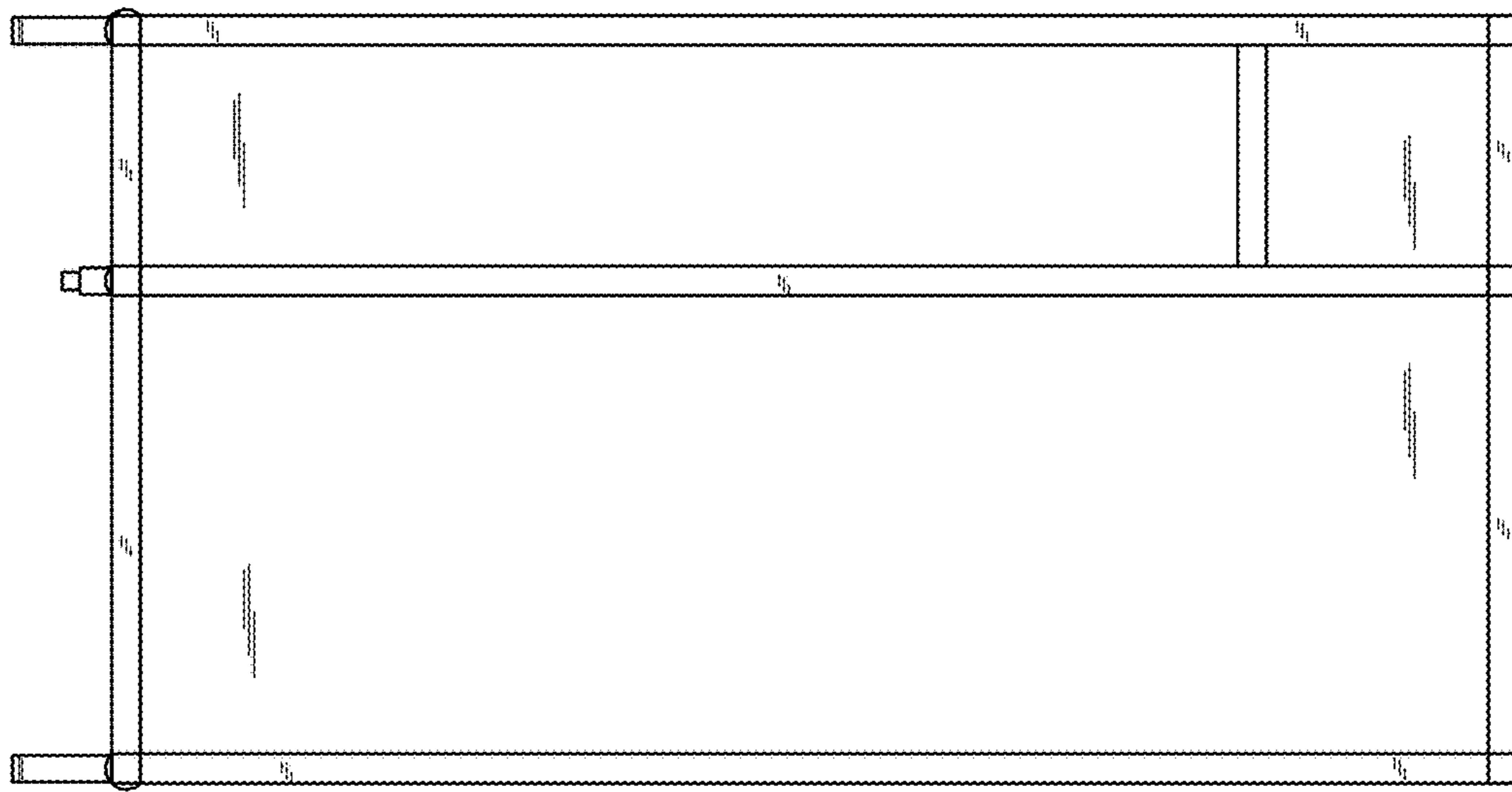


Fig. 8