



US00D827969S

(12) **United States Design Patent**
Khubani

(10) **Patent No.:** **US D827,969 S**

(45) **Date of Patent:** **** Sep. 4, 2018**

- (54) **CLIMBING CART**
- (71) Applicant: **Telebrands Corp.**, Fairfield, NJ (US)
- (72) Inventor: **Ajit Khubani**, Saddle River, NJ (US)
- (73) Assignee: **Telebrands Corp.**, Fairfield, NJ (US)
- (**) Term: **15 Years**
- (21) Appl. No.: **29/592,924**
- (22) Filed: **Feb. 3, 2017**
- (51) **LOC (11) Cl.** **12-02**
- (52) **U.S. Cl.**
USPC **D34/20**
- (58) **Field of Classification Search**
USPC D34/12, 13, 20, 21, 22, 23, 26, 27;
280/47.28, 5.32, 47.131, 47.25, 47.19,
280/47.29, 40, 654, 47.18, 655, 47.24, 30,
280/47.27, 652
CPC B62B 1/208; B62B 3/1492; B62B 7/06
See application file for complete search history.

7,631,380 B1 * 12/2009 Larson A61G 1/0293
280/47.131
8,641,059 B2 2/2014 Khodor et al.
9,187,106 B2 11/2015 Khodor

OTHER PUBLICATIONS

Folding Cart. "The Climb Cart.", www.getclimbcaty.com. Web. Dec. 28, 2017. Shown in p. 1 of 1. (Year: 2017).*
Climb Cart. "The Climb Cart by Bulbhead.", www.amazon.com. Web. Dec. 29, 2017. Shown in p. 1 of 1. (Year: 2017).*
Climb Cart "Deluxe Climb Cart Stair Climbing Folding Cart."www.bulbhead.com. Web. Dec. 29, 2017. Shown in p. 1 of 1. (Year: 2017).*

* cited by examiner

Primary Examiner — Cynthia Ramirez
Assistant Examiner — Gino Colan
(74) *Attorney, Agent, or Firm* — Cooper & Dunham LLP

(57) **CLAIM**

The ornamental design for a climbing cart, as shown and described.

DESCRIPTION

FIG. 1 is a front perspective view of a climbing cart in accordance with the present design;
FIG. 2 is a front view thereof;
FIG. 3 is a back view thereof;
FIG. 4 is a left side view thereof;
FIG. 5 is a right side view thereof;
FIG. 6 is a top view thereof; and,
FIG. 7 is a bottom view thereof.
The broken lines shown in the figures are for the purpose of illustrating portions of the climbing cart that form no part of the claimed design.

(56) **References Cited**

U.S. PATENT DOCUMENTS

- 2,736,564 A 2/1956 Loam et al.
- 3,326,563 A 6/1967 Whitaker
- 3,346,269 A 10/1967 Soto
- 3,515,401 A 6/1970 Gross
- 4,142,732 A 3/1979 Boyd
- D336,710 S * 6/1993 Kinnaman D34/18
- D356,197 S 3/1995 Loughlin
- 6,435,538 B2 * 8/2002 Ellis A61G 5/061
280/5.26
- 7,032,910 B2 * 4/2006 Joie A61M 1/36
280/47.131
- 7,516,502 B1 * 4/2009 Larson A61G 1/0293
280/47.131

1 Claim, 6 Drawing Sheets

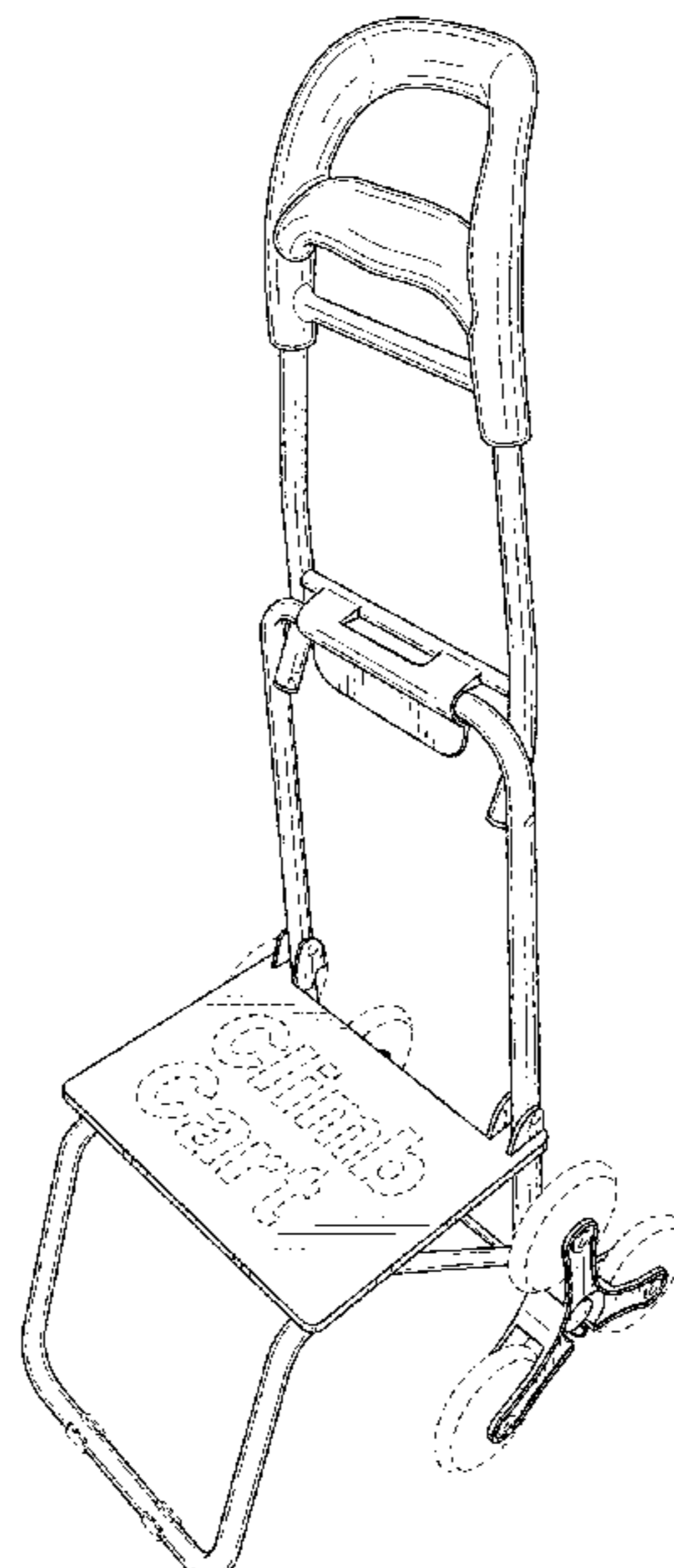


FIG. 1

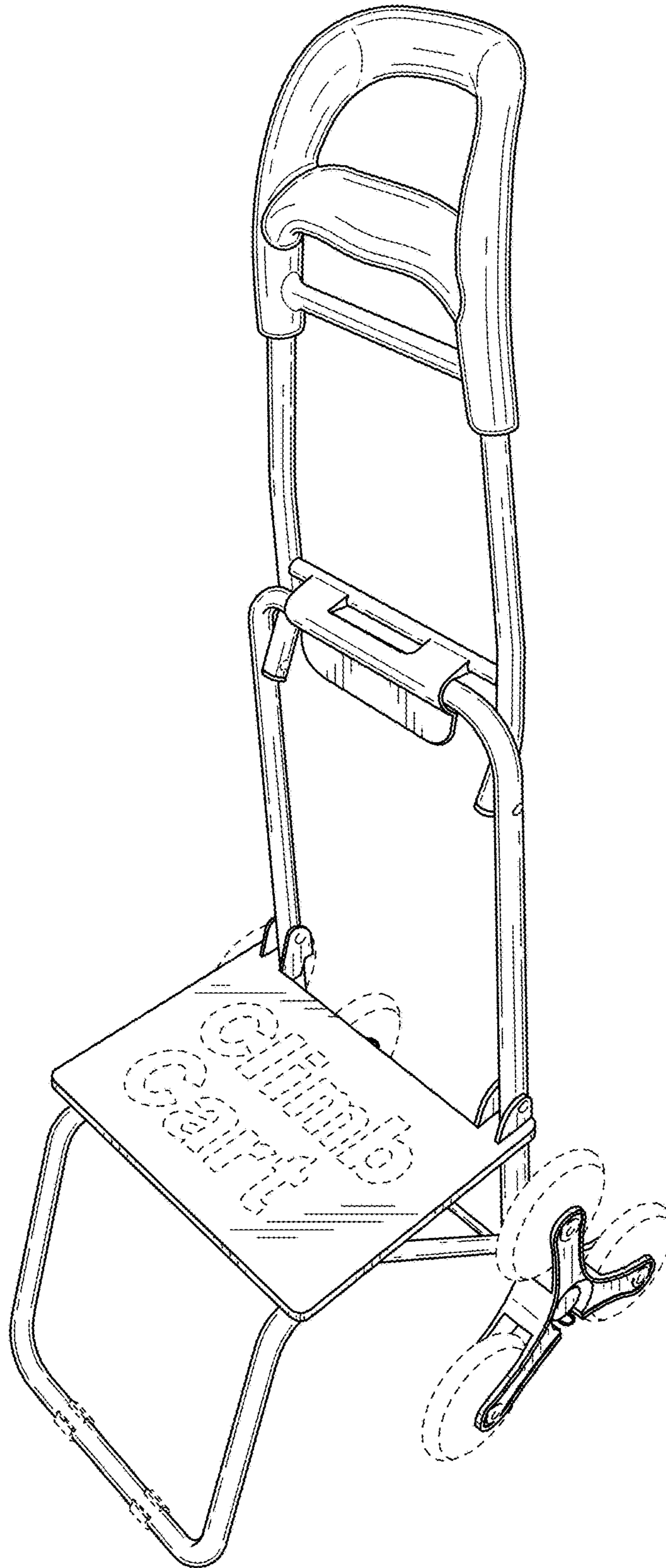


FIG. 2

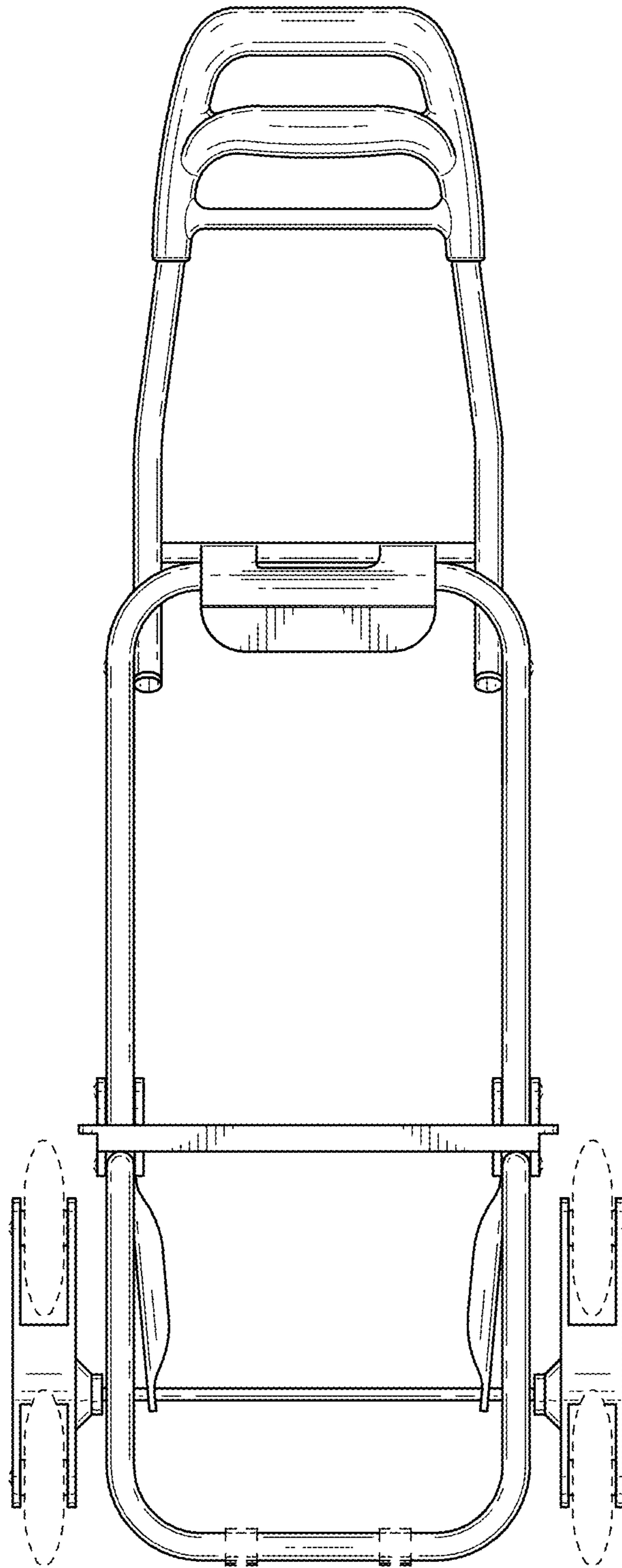


FIG. 3

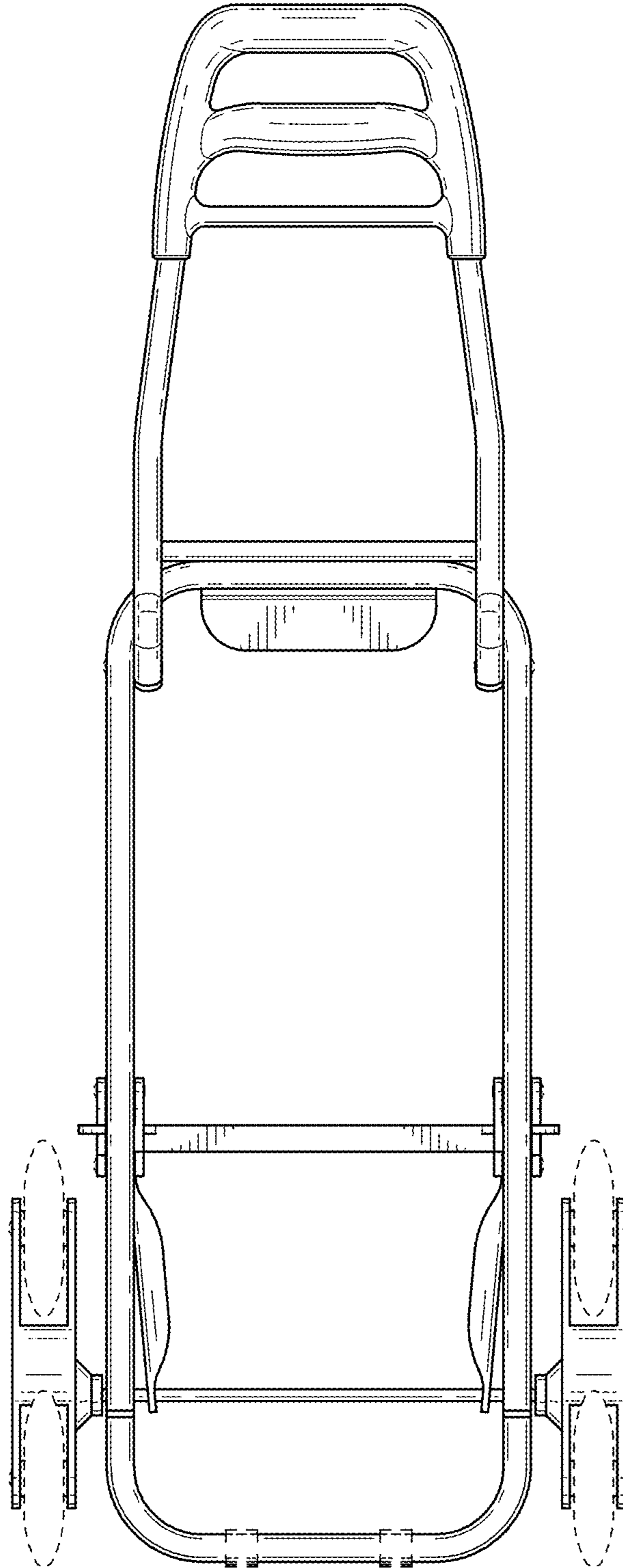


FIG. 4

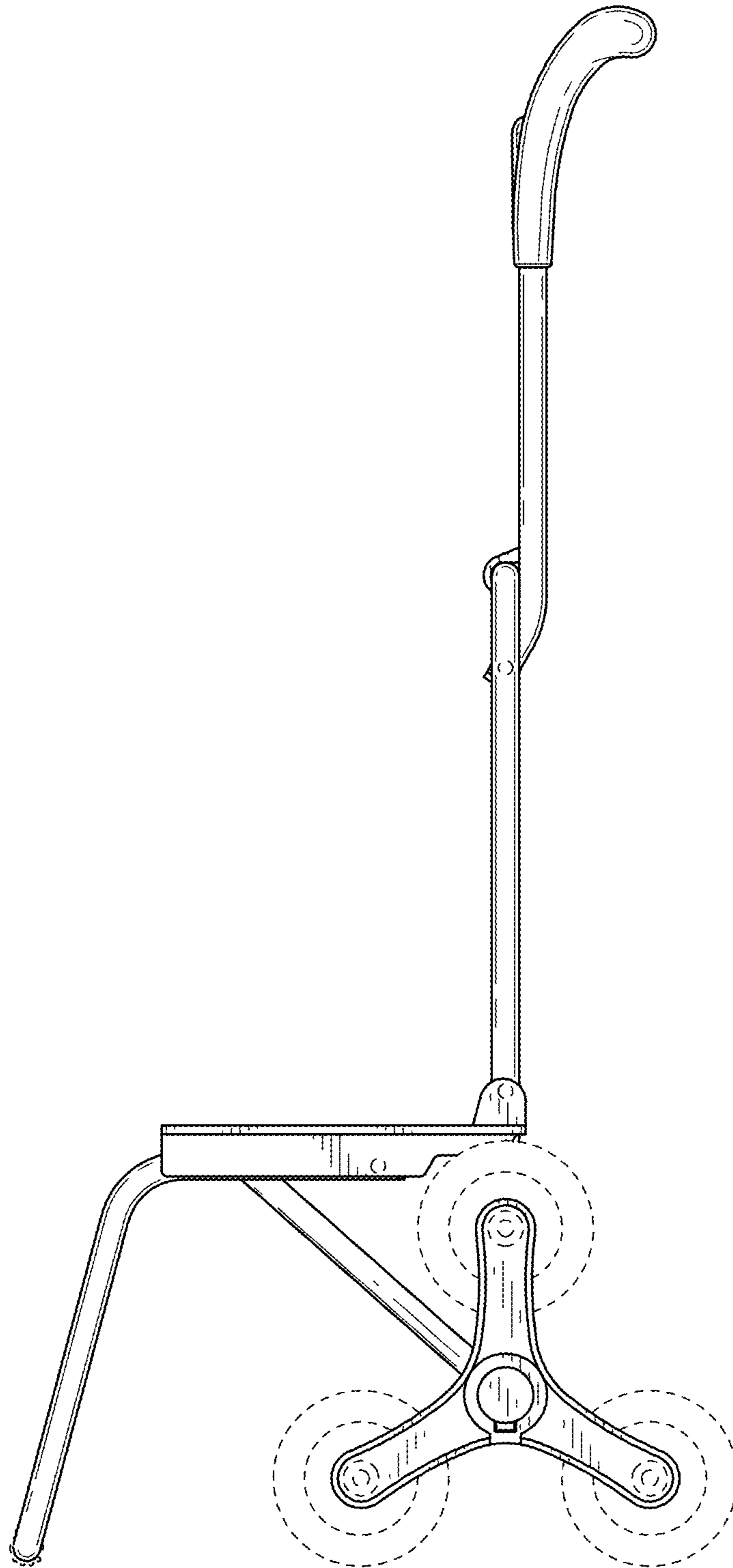


FIG. 5

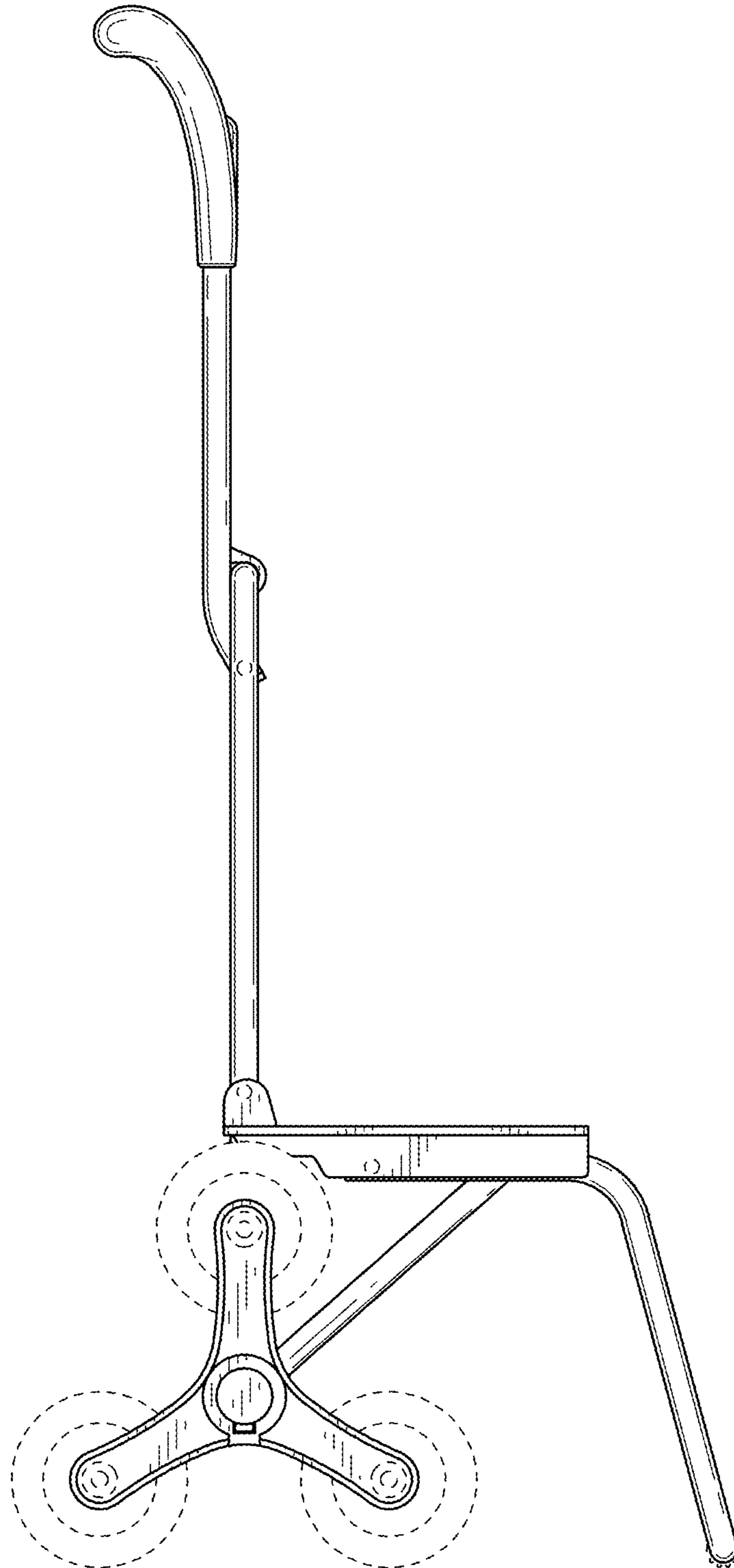


FIG. 6

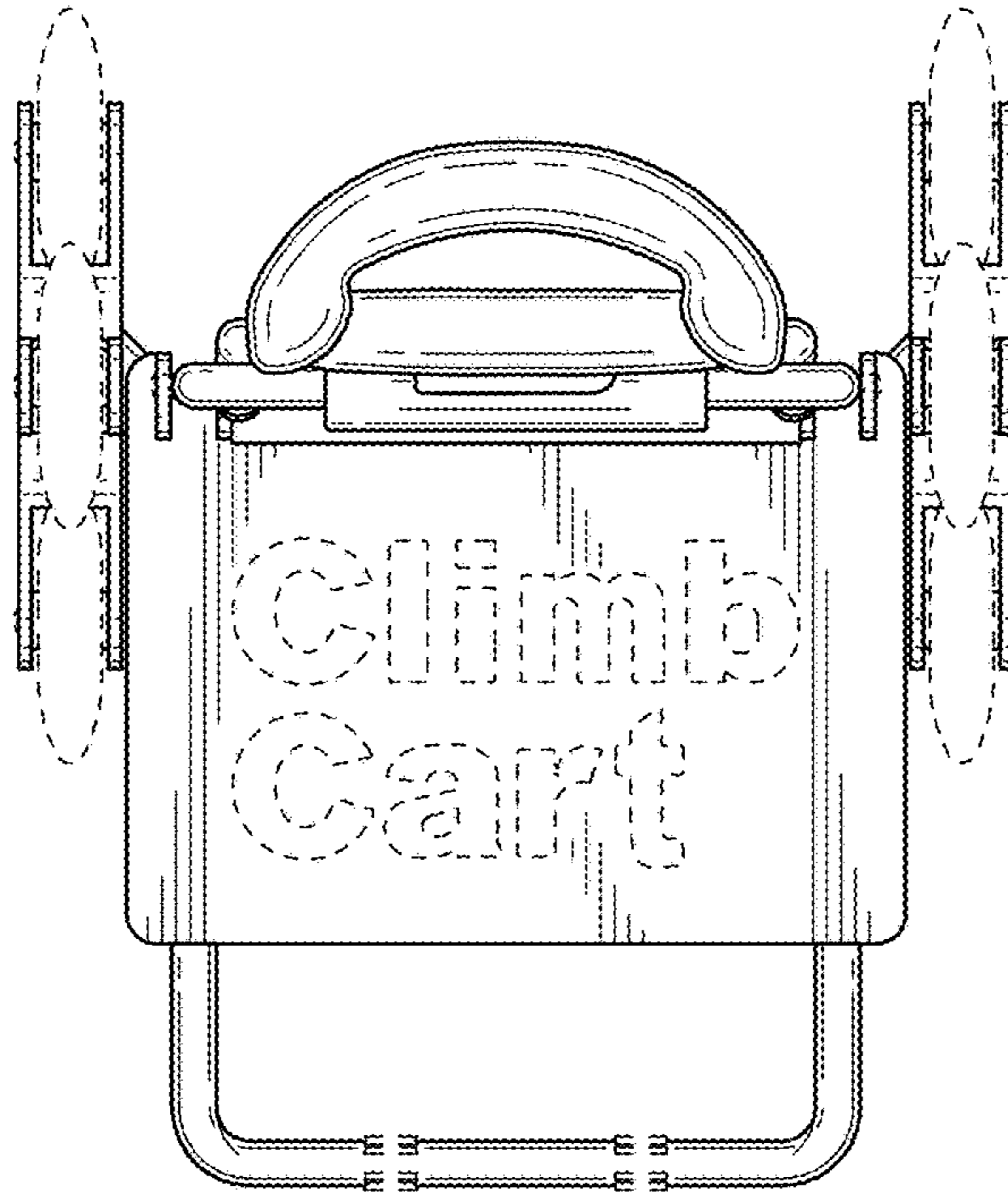


FIG. 7

