



US00D827968S

(12) **United States Design Patent** (10) **Patent No.:** **US D827,968 S**
Chen (45) **Date of Patent:** **** Sep. 4, 2018**

- (54) **PEDAL BIN**
- (71) Applicant: **EKO DEVELOPMENT LTD.,**
Guangzhou (CN)
- (72) Inventor: **Yizhi Chen,** Guangzhou (CN)
- (73) Assignee: **EKO Development Limited,**
Guangzhou (CN)
- (**) Term: **15 Years**
- (21) Appl. No.: **29/612,125**
- (22) Filed: **Jul. 28, 2017**
- (51) **LOC (11) Cl.** **09-09**
- (52) **U.S. Cl.**
USPC **D34/9**
- (58) **Field of Classification Search**
USPC D34/1-11; 220/908, 212, 495.11, 264,
220/756, 832, 836, 831, 262, 87.2, 23.4,
220/909, 911, 913
CPC B65F 1/163; B65F 2001/1669; B65F
1/1638; B65F 1/08; Y10S 220/908
See application file for complete search history.

(56) **References Cited**
U.S. PATENT DOCUMENTS

D335,562 S	5/1993	Evans	
5,242,074 A	9/1993	Conaway et al.	
6,345,725 B1	2/2002	Lin	
D482,169 S	11/2003	Lin	
D517,767 S *	3/2006	Yang	D34/9
D544,671 S *	6/2007	Saunders	D34/9
D547,917 S *	7/2007	Yang	D34/9
D552,321 S	10/2007	Yang et al.	
D561,969 S *	2/2008	Lin	D34/9

D567,468 S *	4/2008	Yang	D34/9
D568,570 S *	5/2008	Lin	D34/9
D571,520 S	6/2008	Lin	
D644,390 S	8/2011	Smeets et al.	
D644,806 S	9/2011	Yang et al.	
D657,108 S	4/2012	Yang et al.	
D657,109 S	4/2012	Liao	
D675,802 S	2/2013	Yang et al.	
D709,662 S *	7/2014	Yang	D34/9
D720,513 S	12/2014	Yang et al.	
D759,934 S	6/2016	Yang et al.	
2008/0006638 A1 *	1/2008	Yang	B65F 1/06 220/495.11

* cited by examiner

Primary Examiner — Cynthia Ramirez

Assistant Examiner — Gino Colan

(74) *Attorney, Agent, or Firm* — William Dippert;
Laurence Greenberg; Werner Stemer

(57) **CLAIM**

The ornamental design for a pedal bin, as shown and described.

DESCRIPTION

FIG. 1 is an isometric view of my new design for a pedal bin, as shown.

FIG. 2 is a top plan view of the invention.

FIG. 3 is a rear elevational view of the invention.

FIG. 4 is a left side elevational view of the invention.

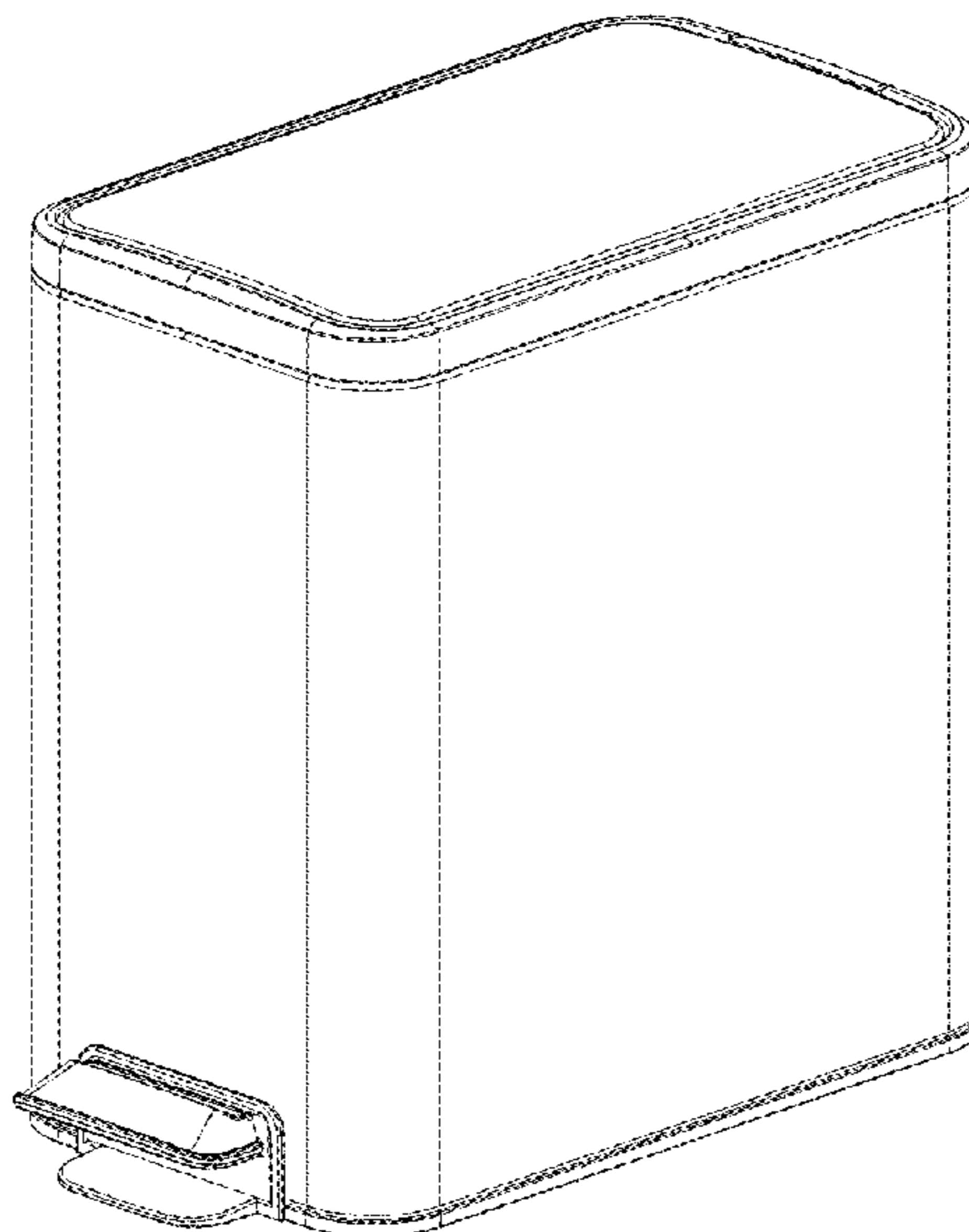
FIG. 5 is a front elevational view of the invention.

FIG. 6 is a bottom plan view of the invention; and,

FIG. 7 is a right side elevational view of the invention.

The broken lines in the drawings represent portions of the pedal bin that are for illustrative purposes only and do not form a part of the claimed design.

1 Claim, 4 Drawing Sheets



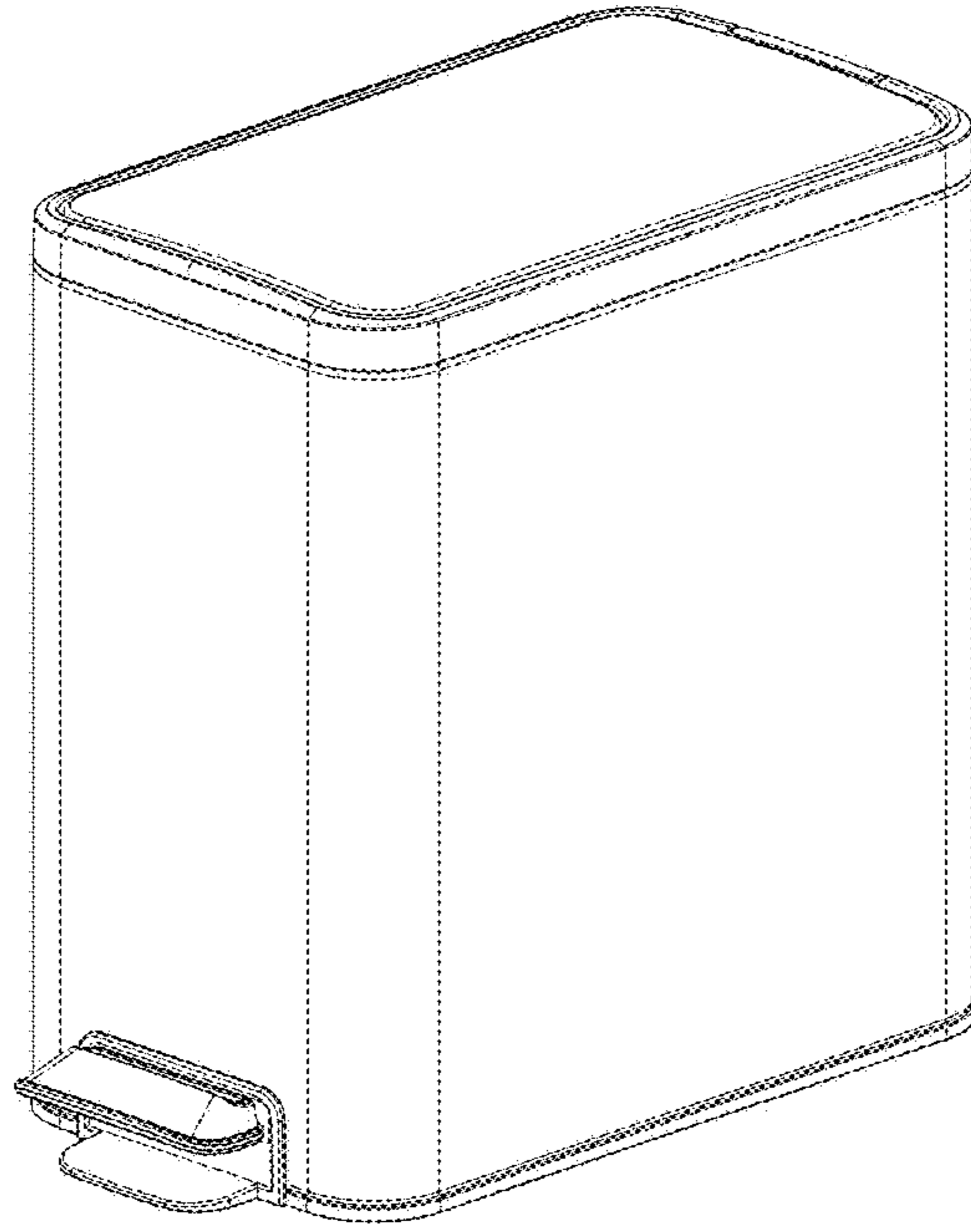


FIG.1

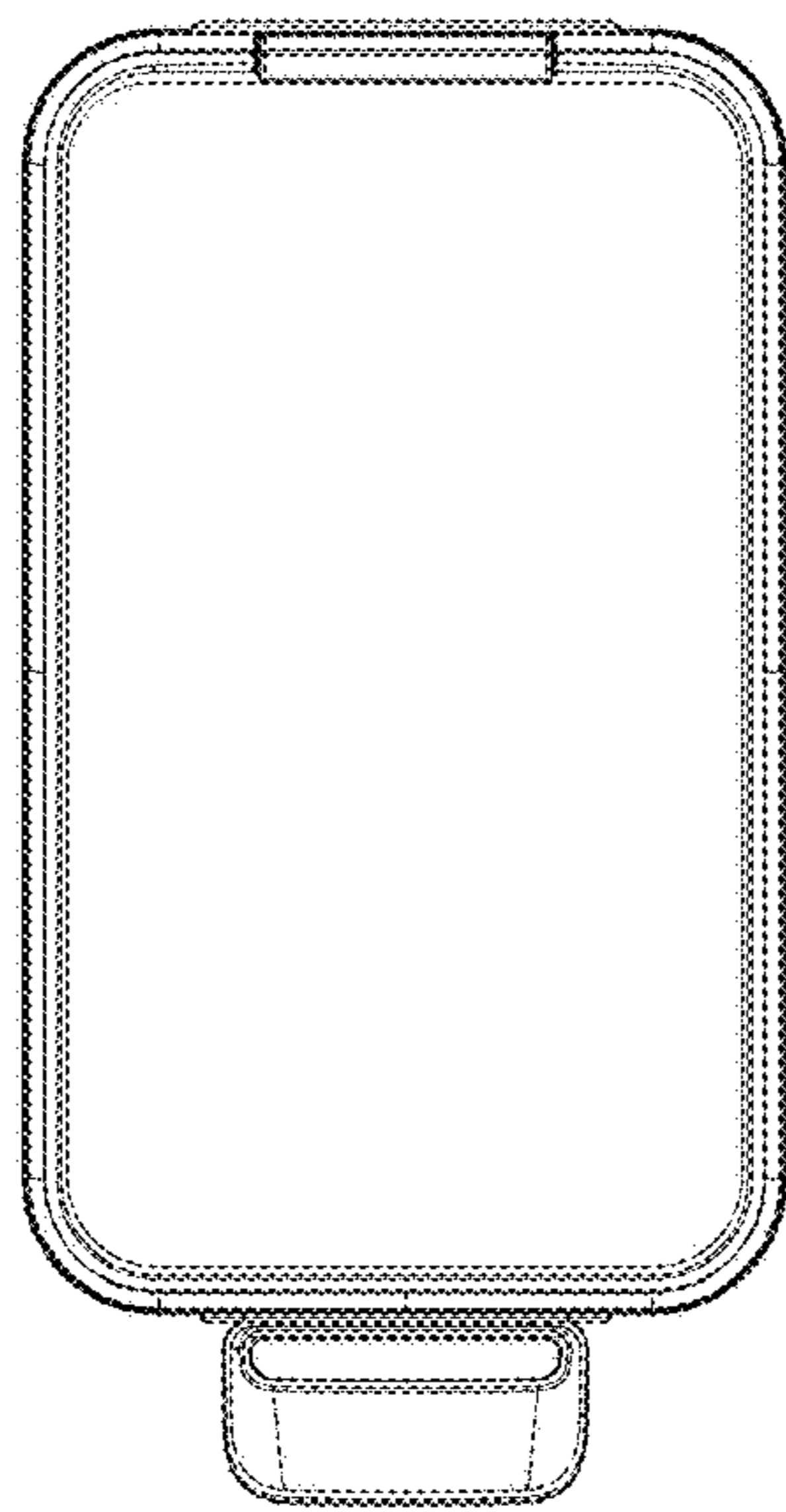


FIG.2

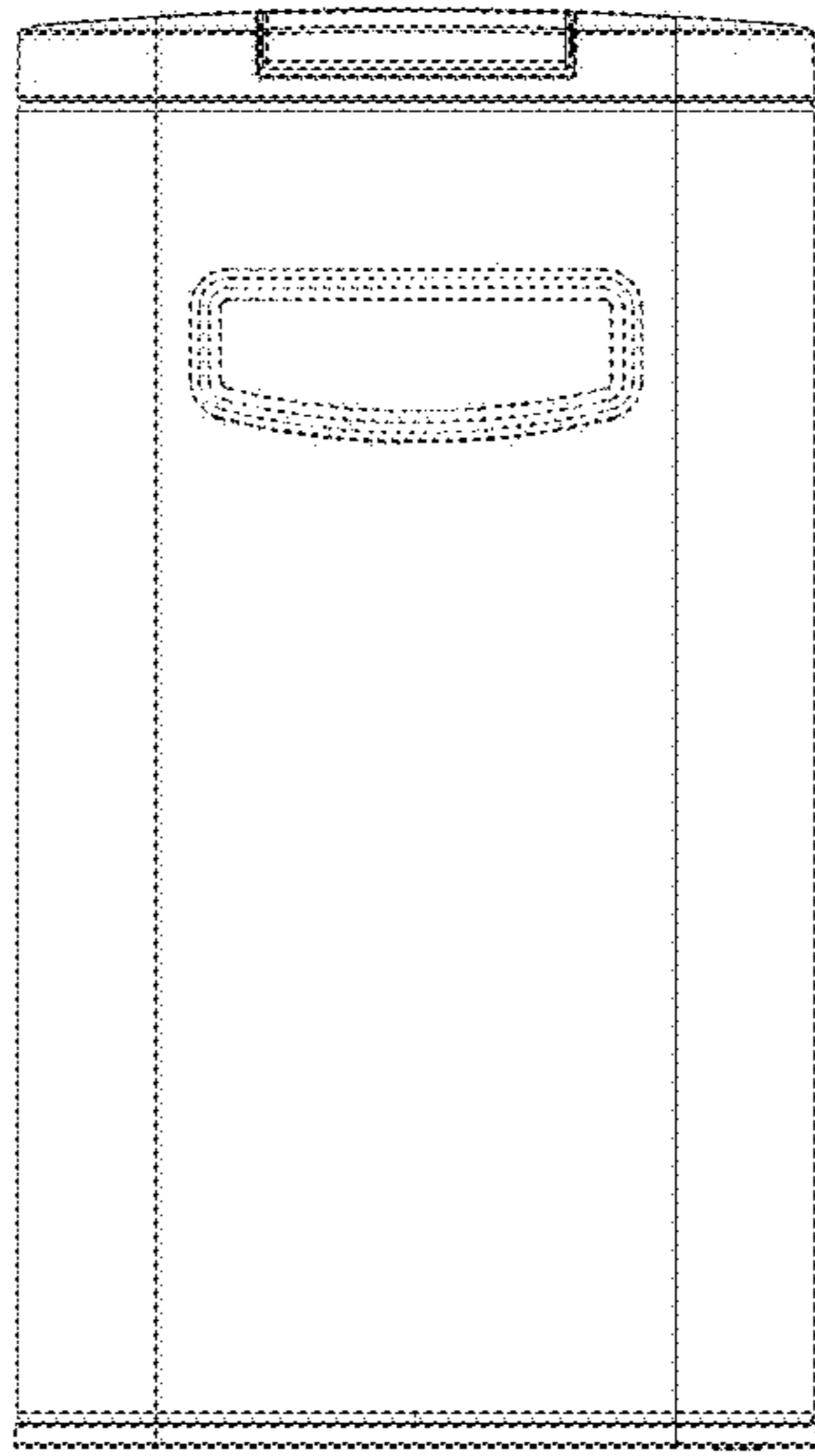


FIG.3

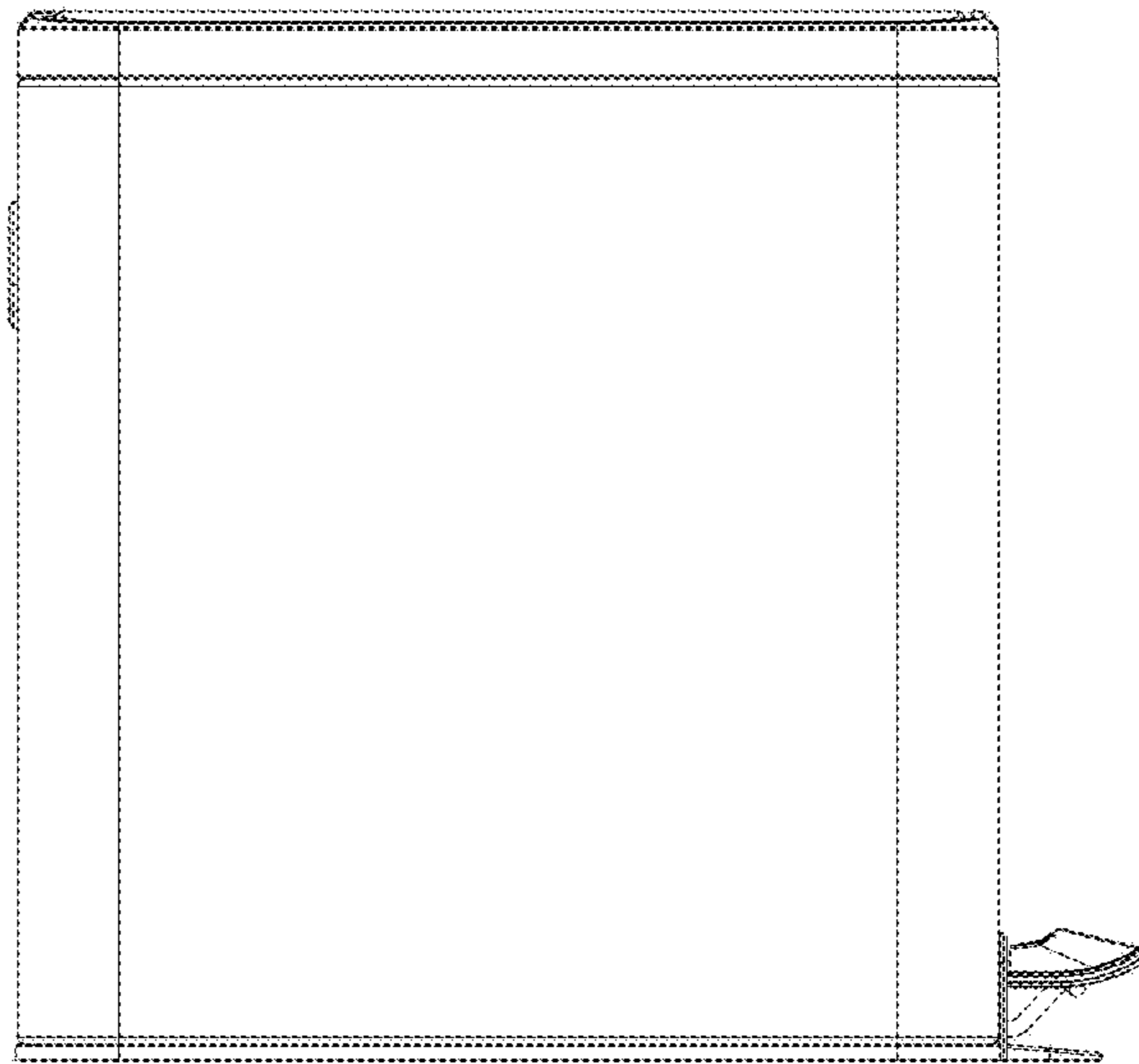


FIG.4

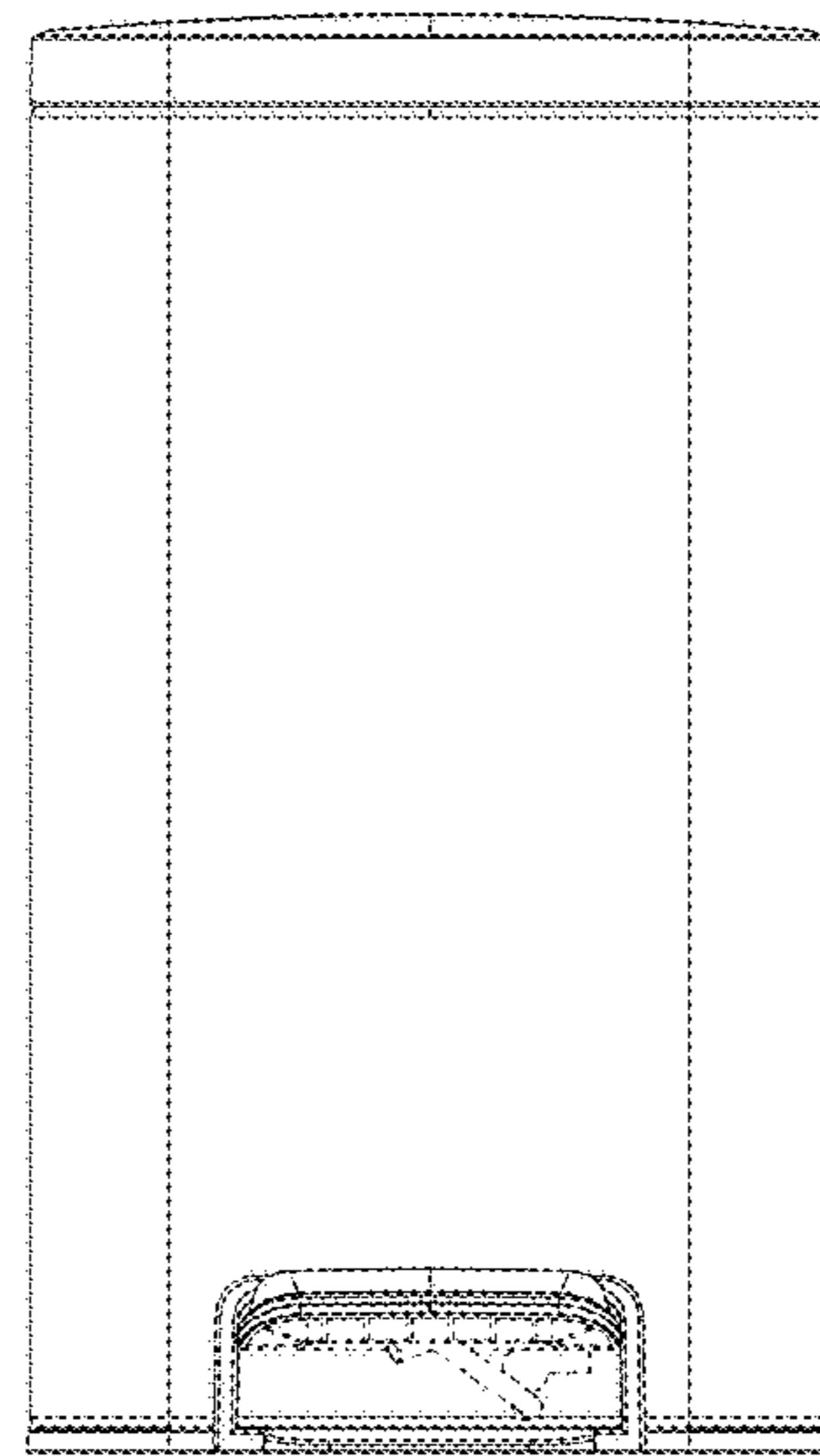


FIG. 5

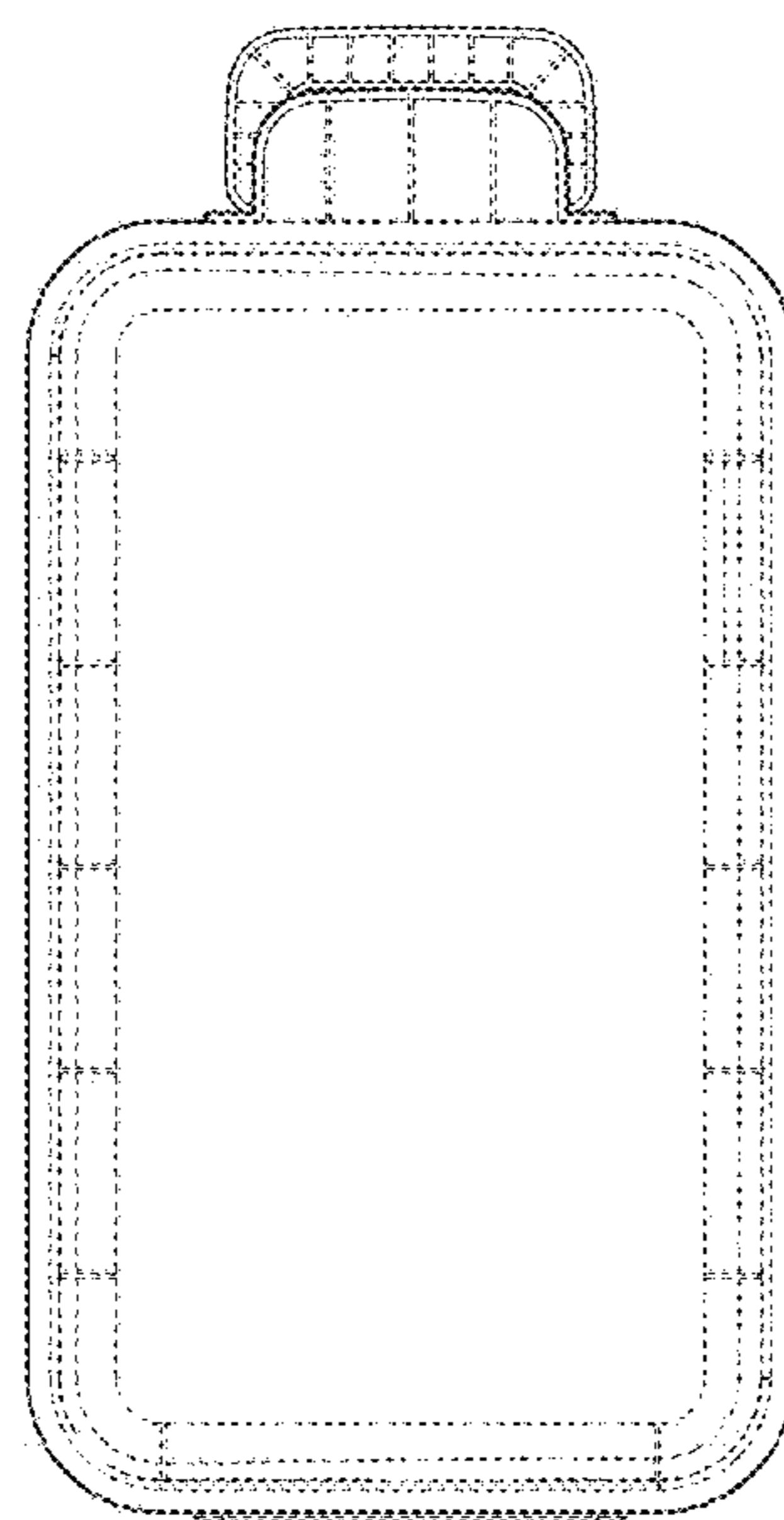


FIG. 6

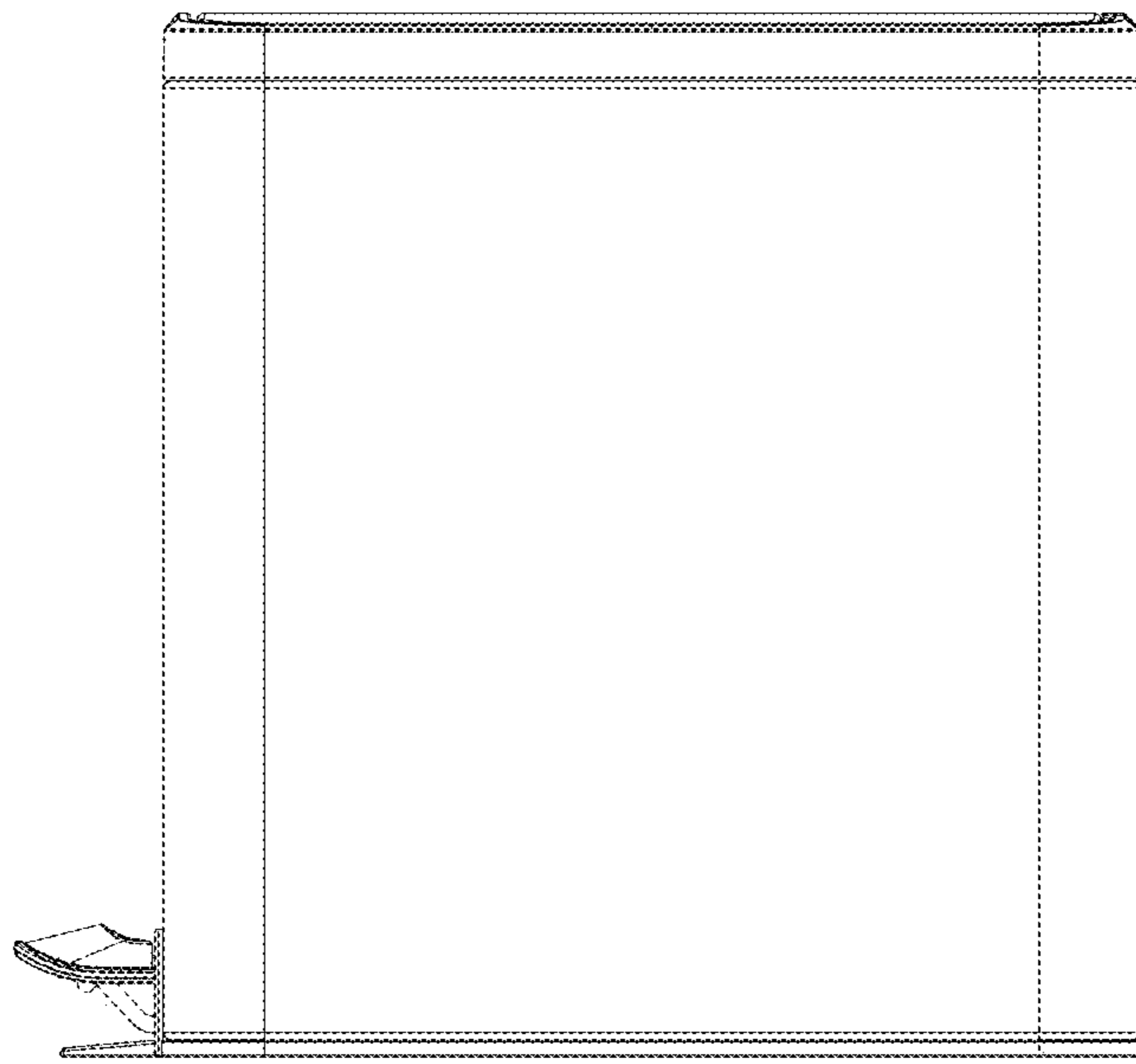


FIG. 7