



US00D827967S

(12) **United States Design Patent** (10) **Patent No.:** **US D827,967 S**
Foster (45) **Date of Patent:** **** Sep. 4, 2018**

(54) **WASTE CONTAINER**
(71) Applicant: **Rehrig Pacific Company**, Los Angeles, CA (US)
(72) Inventor: **Derick Foster**, Cumming, GA (US)
(73) Assignee: **REHRIG PACIFIC COMPANY**, Los Angeles, CA (US)
(**) Term: **15 Years**
(21) Appl. No.: **29/603,711**

5,582,322 A 12/1996 Prout et al.
D388,577 S 12/1997 Rehrig et al.
D398,120 S 9/1998 Rehrig et al.
D445,228 S 7/2001 Apps et al.
6,276,557 B1 8/2001 Wysocki
D468,071 S 12/2002 Le et al.
D471,336 S 3/2003 Tuduri
D474,317 S 5/2003 Tuduri
D491,328 S * 6/2004 Aiken D34/5
6,902,080 B2 6/2005 Busch
7,100,791 B2 9/2006 Berger
7,114,631 B2 10/2006 Aiken et al.
D532,173 S 11/2006 Aiken et al.
D535,448 S 1/2007 Kilduff et al.

(Continued)

(22) Filed: **May 11, 2017**
(51) **LOC (11) Cl.** **09-09**
(52) **U.S. Cl.**
USPC **D34/5**
(58) **Field of Classification Search**
USPC D34/1-11; 220/908, 908.1, 67;
280/47.26
CPC B65F 1/06; B65F 1/1615; B65F 1/1607;
B65F 1/062; B65F 1/08; B65F 1/163;
B65F 1/16
See application file for complete search history.

OTHER PUBLICATIONS

Rehrig Pacific '95 EG—2015' Dated Jan. 2016.
Rehrig Pacific '95 EV—2014' Dated Jan. 2015.

Primary Examiner — Cynthia Ramirez
(74) *Attorney, Agent, or Firm* — Carlson, Gaskey & Olds, P.C.

(57) **CLAIM**

The ornamental design for a waste container, as shown and described.

(56) **References Cited**

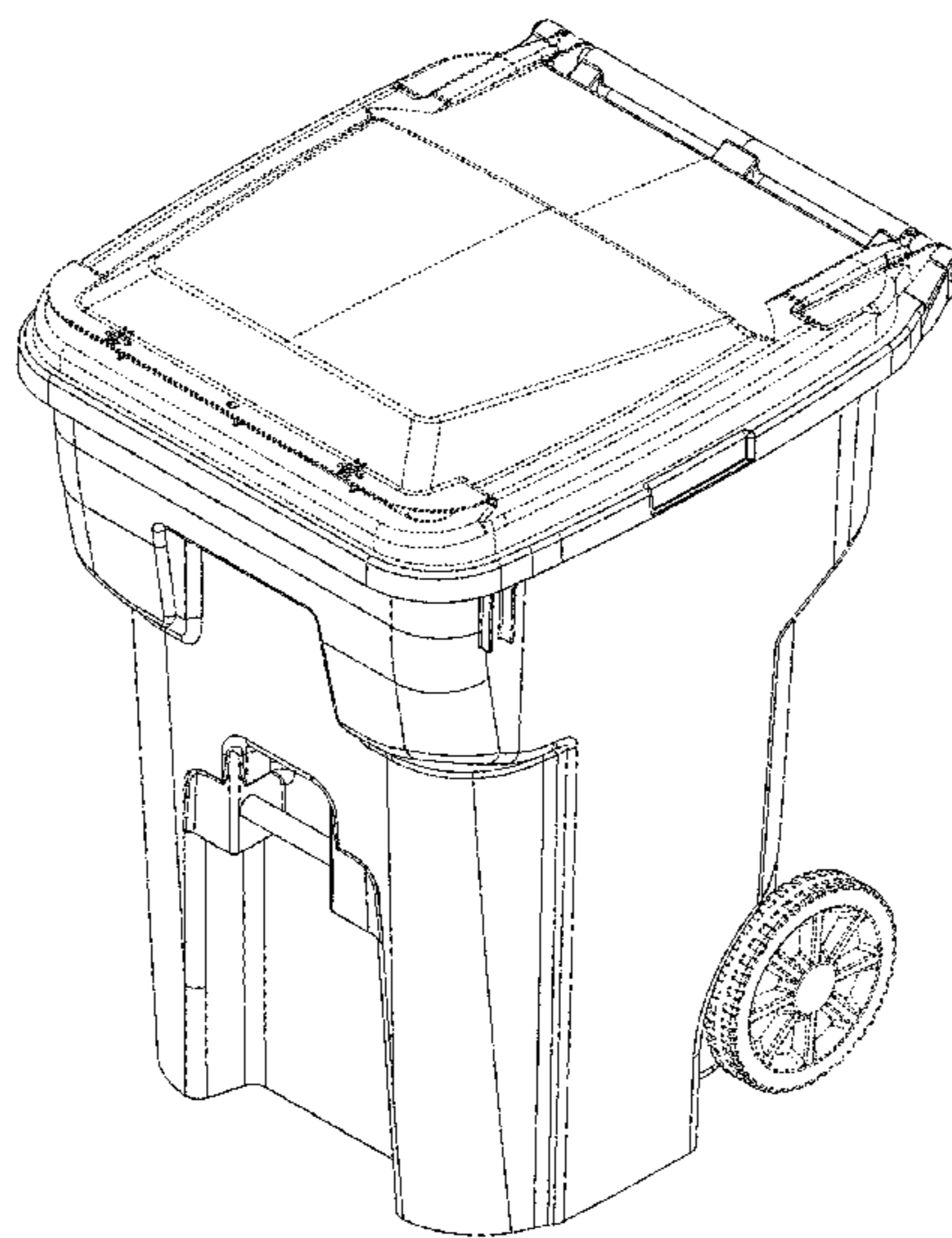
U.S. PATENT DOCUMENTS

D281,284 S 11/1985 Reuter
D292,638 S 11/1987 Carville
4,749,101 A 6/1988 Durkan, Jr.
4,836,394 A 6/1989 Glomski
4,930,649 A 6/1990 Moser
D313,491 S 1/1991 Edelhoff et al.
D323,912 S 2/1992 Delmerico
D323,914 S 2/1992 Doxey et al.
5,261,562 A 11/1993 Prout et al.
D347,095 S 5/1994 Apps et al.
5,356,027 A 10/1994 Craft et al.
D355,741 S 2/1995 Craft et al.
D365,428 S 12/1995 Prout et al.
5,538,158 A 7/1996 Prout et al.

DESCRIPTION

FIG. 1 is a perspective view of a waste container, showing my new design.
FIG. 2 is a first side view of the waste container.
FIG. 3 is a front view of the waste container.
FIG. 4 is a second side view of the waste container.
FIG. 5 is a top view of the waste container.
FIG. 6 is a bottom view of the waste container; and,
FIG. 7 is a rear view of the waste container.
The broken lines in the figures are to show portions of the waste container and form no part of the claimed design.

1 Claim, 7 Drawing Sheets



(56)

References Cited

U.S. PATENT DOCUMENTS

D552,320	S	10/2007	Presnell et al.	
7,287,665	B2	10/2007	Meissen et al.	
D568,022	S	4/2008	Bureau et al.	
D577,170	S	9/2008	Meers	
D594,169	S	6/2009	Connor et al.	
D624,723	S *	9/2010	Raghunathan	D34/5
D641,121	S	7/2011	Rampton et al.	
D643,174	S	8/2011	Raghunathan et al.	
8,096,565	B2	1/2012	Meers	
D657,106	S	4/2012	Talbot Pouliot et al.	
8,146,774	B2	4/2012	Parker et al.	
8,424,714	B2	4/2013	Kruse et al.	
8,430,267	B2	4/2013	Kilduff et al.	
8,714,404	B2	5/2014	Raghunathan et al.	
8,720,686	B1	5/2014	Shuman	
D707,905	S *	6/2014	Nolet	D34/5
D707,906	S	6/2014	Nolet et al.	
D707,907	S	6/2014	Nolet et al.	
D707,908	S	6/2014	Nolet et al.	
D753,364	S	4/2016	Labrecque et al.	
9,434,538	B2	9/2016	Yang et al.	
D771,893	S	11/2016	Del Rosario Roy et al.	
D789,012	S *	6/2017	Labrecque	D34/5
2003/0213808	A1	11/2003	Berger	
2004/0074913	A1	4/2004	McDade	
2004/0206759	A1	10/2004	Busch	

* cited by examiner

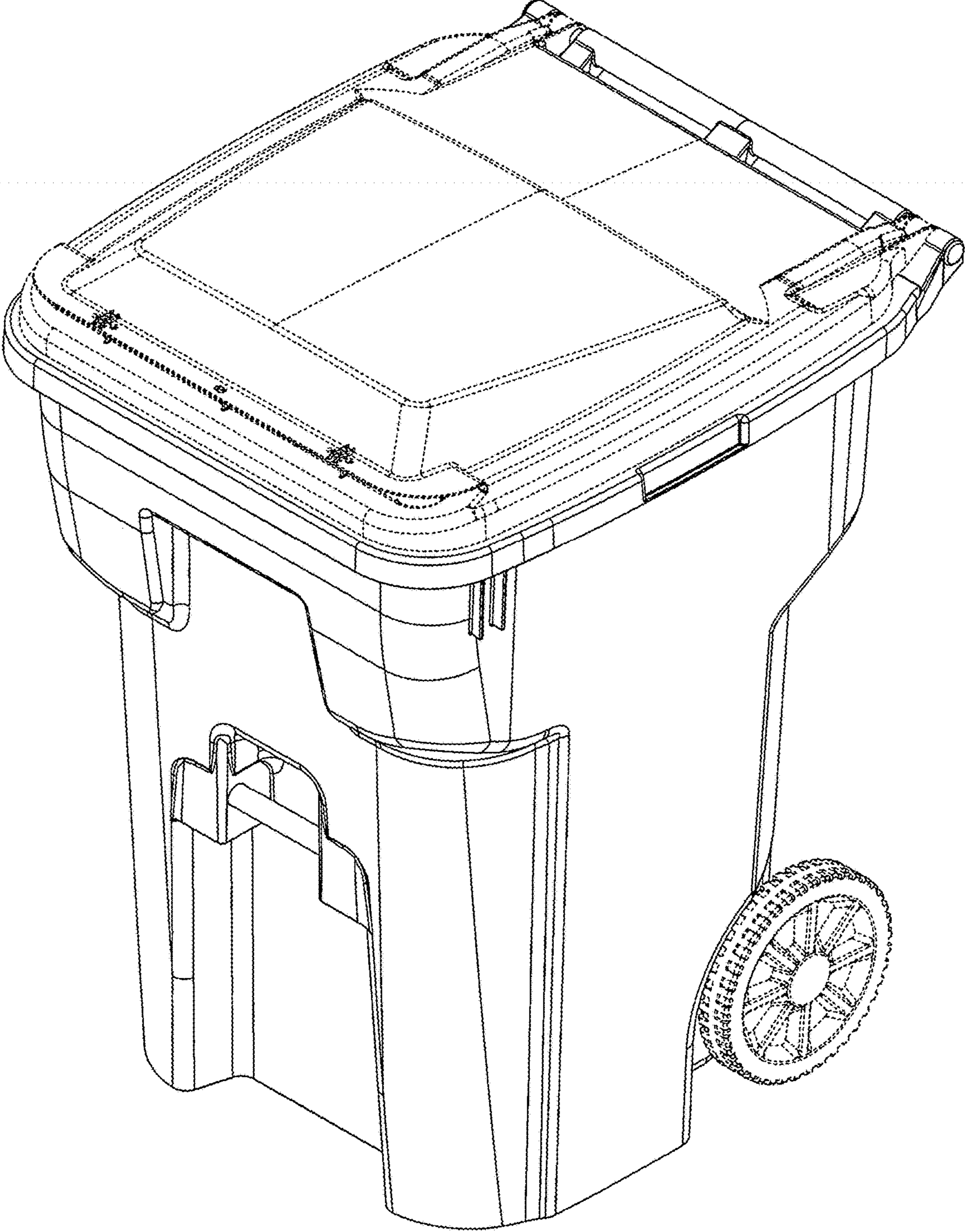


FIG. 1

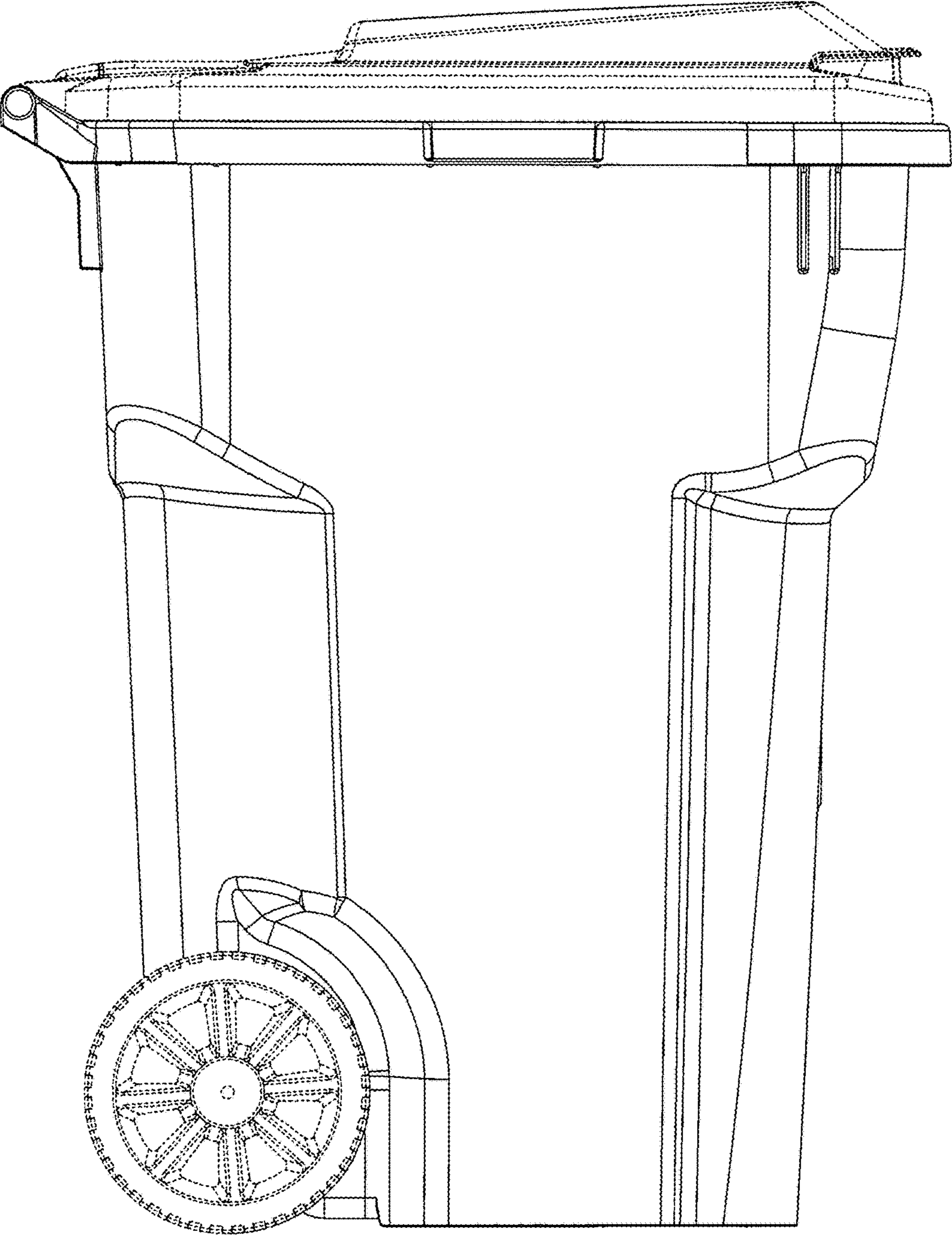


FIG. 2

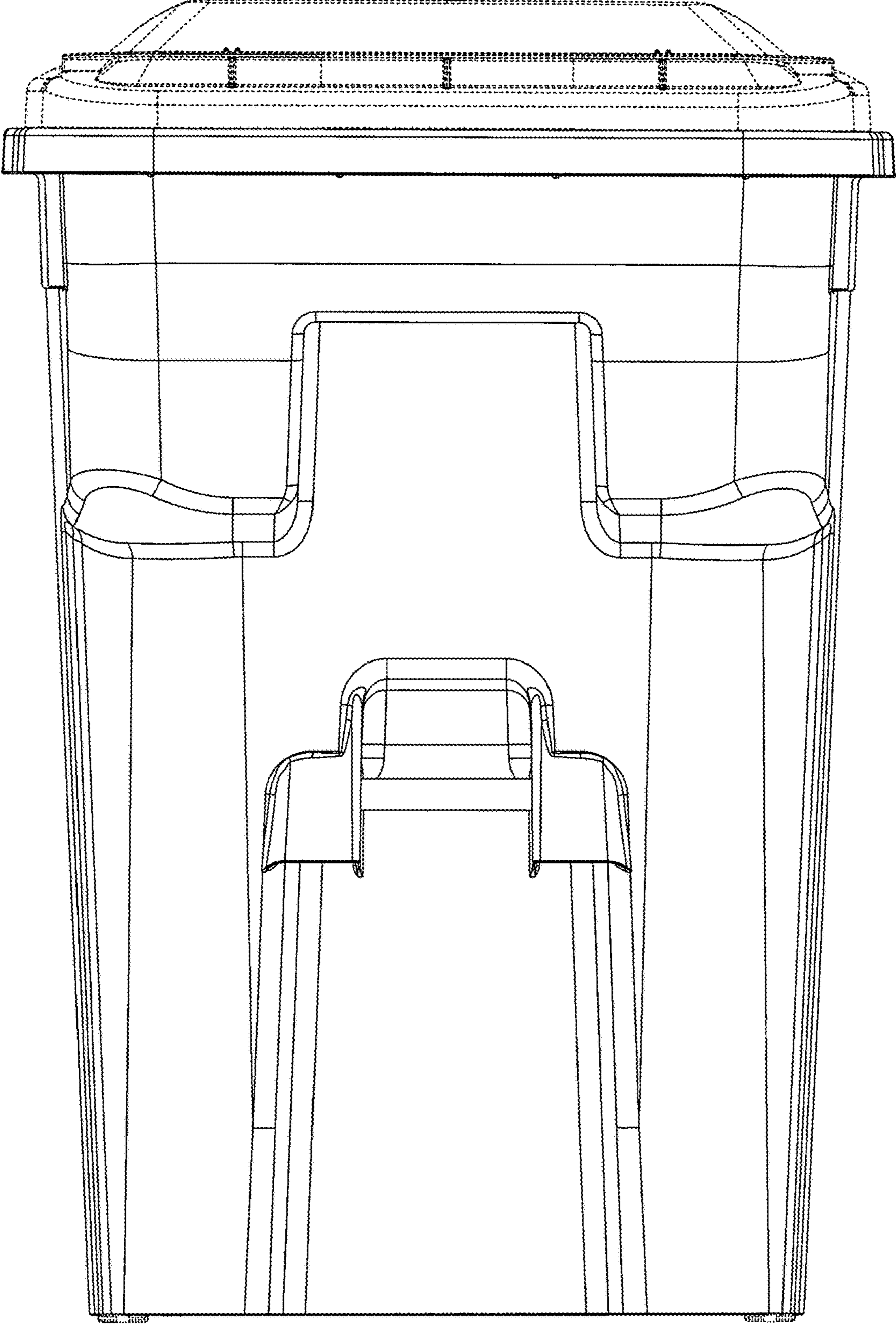


FIG. 3

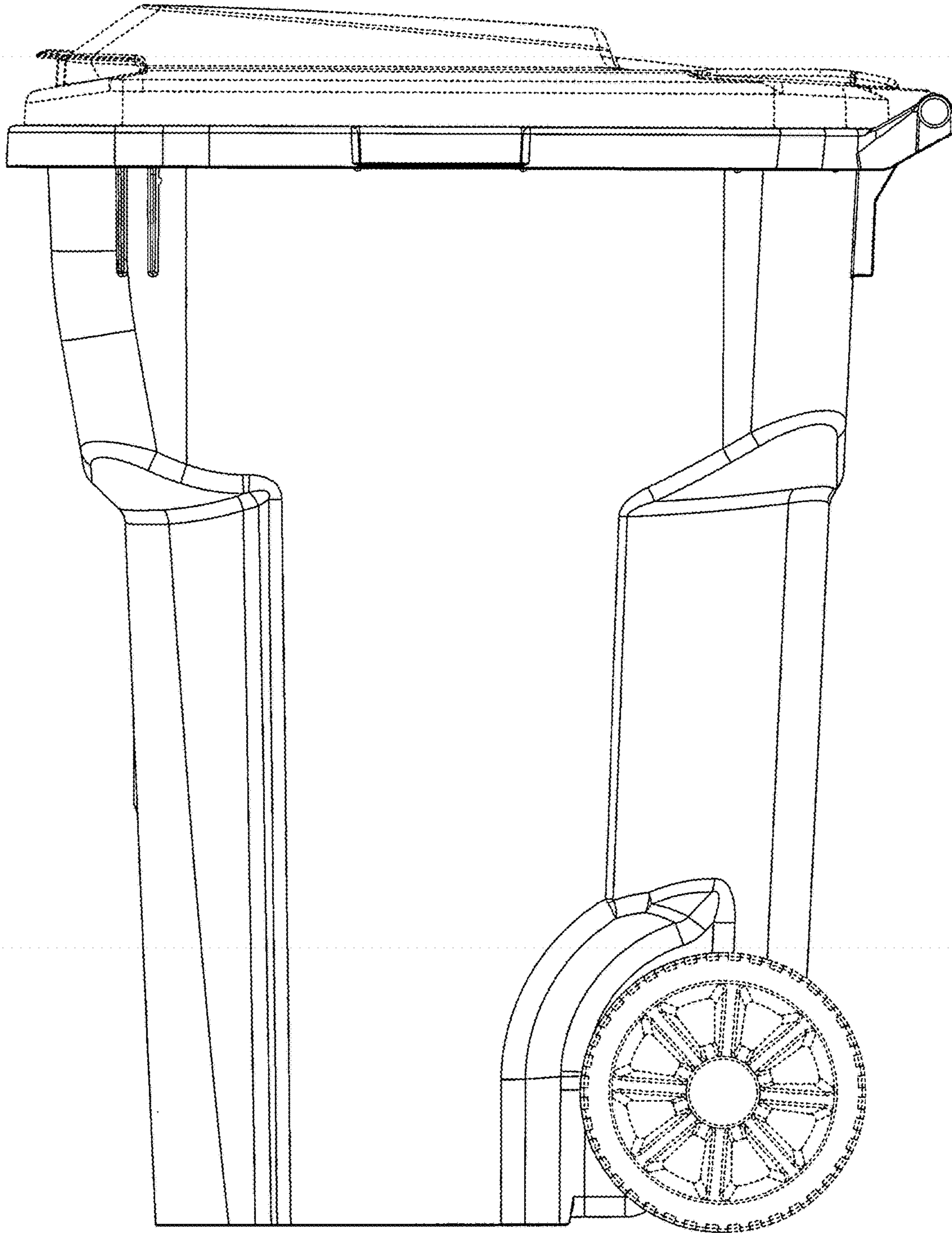


FIG. 4

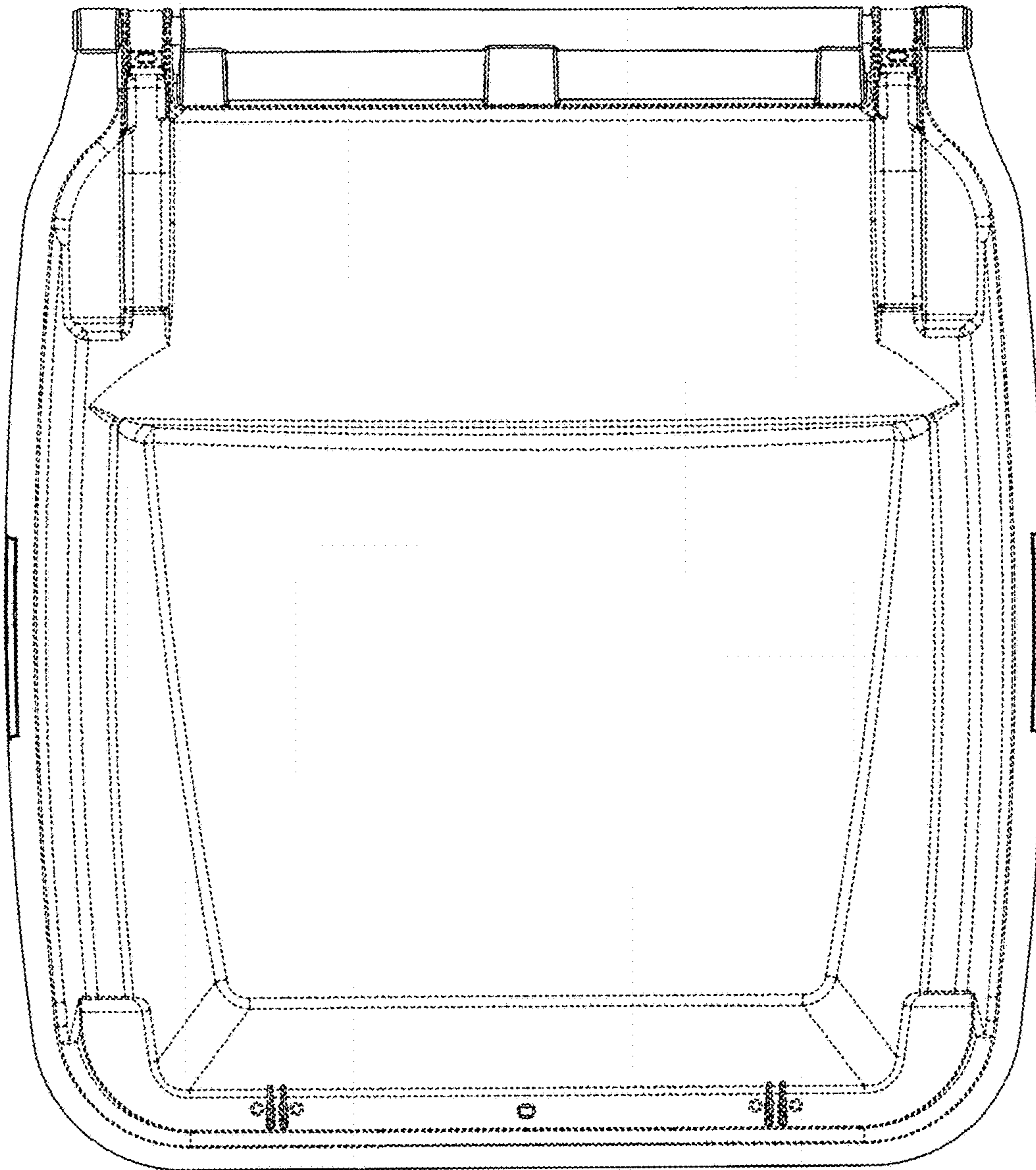


FIG. 5

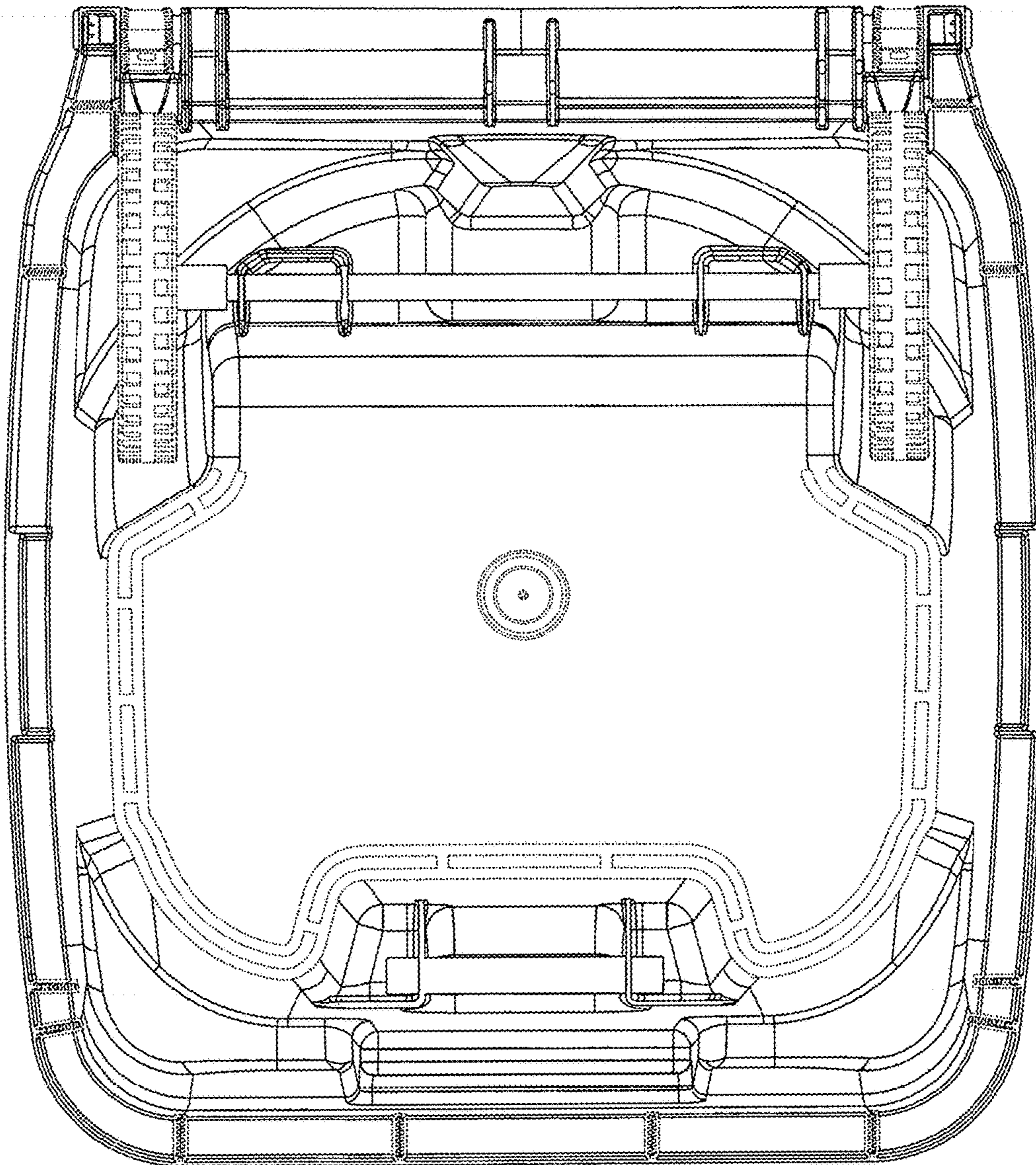


FIG. 6

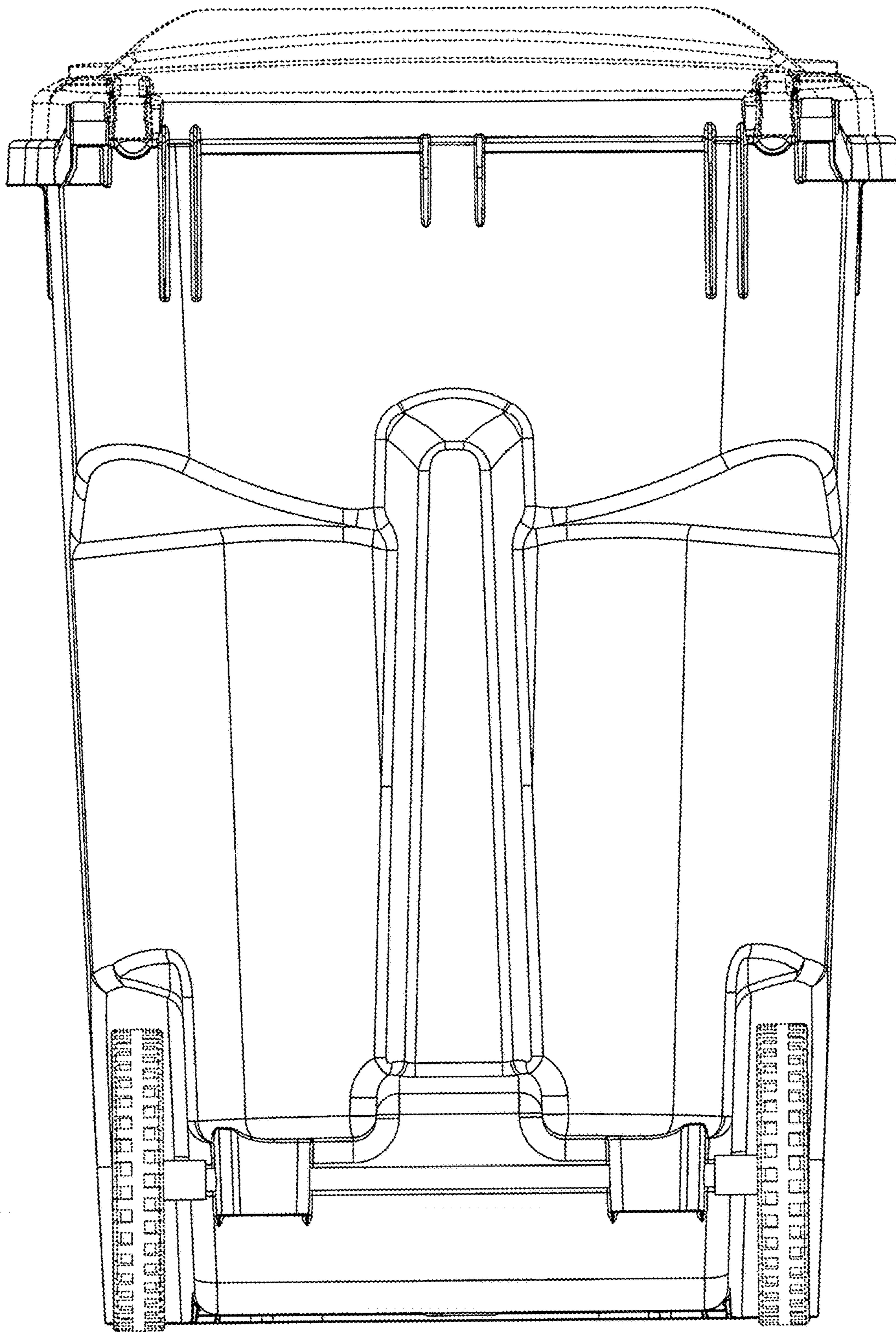


FIG. 7