



US00D827965S

(12) **United States Design Patent** (10) **Patent No.:** **US D827,965 S**  
**Barre et al.** (45) **Date of Patent:** **\*\* Sep. 4, 2018**

- (54) **LAUNDRY SORTER FRAME**
- (71) Applicant: **NEATFREAK GROUP INC.,**  
Mississauga (CA)
- (72) Inventors: **Bertrand Barre, Lapeyrouse (FR);**  
**Francis Lepage, Dommartin (FR)**
- (73) Assignee: **NEATFREAK GROUP INC.,**  
Mississauga, Ontario (CA)
- (\*\*) Term: **15 Years**
- (21) Appl. No.: **29/595,843**
- (22) Filed: **Mar. 2, 2017**
- (51) **LOC (11) Cl.** ..... **07-05**
- (52) **U.S. Cl.**  
USPC ..... **D32/58**
- (58) **Field of Classification Search**  
USPC ..... D32/55, 276, 3, 58; D6/510, 525;  
211/41.5, 41.4, 41.3, 41.8, 195, 200;  
361/679.4; 312/311, 333, 334.4;  
D7/354, 629, 368  
CPC ..... A47G 25/746; A47G 25/0664; A47F 7/24;  
B62B 3/02; A47B 61/00; A47B 57/402;  
F16B 12/40  
See application file for complete search history.

(56) **References Cited**

**U.S. PATENT DOCUMENTS**

D149,816 S *	6/1948	Ivelow .....	248/175
3,722,702 A *	3/1973	Marker, Jr. ....	A47F 5/13
			108/115
D456,167 S *	4/2002	Harwanko .....	D6/548
D487,831 S *	3/2004	Savoie .....	D32/58
D491,742 S *	6/2004	Harwanko .....	D6/681.1
D495,523 S *	9/2004	Harwanko .....	D6/681.1
D545,520 S *	6/2007	Oberdorf .....	D32/58
D546,013 S *	7/2007	Pong .....	D32/58
D564,165 S *	3/2008	King .....	D32/58

D599,601 S *	9/2009	Mallen .....	D32/58
D650,542 S *	12/2011	Kontorovich .....	D32/58
D655,877 S *	3/2012	Greenway .....	D32/58
D718,511 S *	11/2014	Ouyang .....	D32/58
D720,907 S *	1/2015	Perez .....	D32/58
D720,908 S *	1/2015	Ouyang .....	D32/58
D737,532 S *	8/2015	Oh .....	D32/58
D753,940 S *	4/2016	Ruiz .....	D6/681
D777,483 S *	1/2017	Bittle .....	D6/681
D808,101 S *	1/2018	Greenspon .....	D32/58
D808,606 S *	1/2018	Greenspon .....	D32/58
D809,835 S *	2/2018	Greenspon .....	D6/681
2015/0008201 A1 *	1/2015	Qiang .....	A47F 7/24
			211/85.3
2018/0160801 A1 *	6/2018	Felsenthal .....	A47B 61/00

\* cited by examiner

*Primary Examiner* — Michelle E. Wilson

(74) *Attorney, Agent, or Firm* — Patzik Frank & Samotny Ltd.

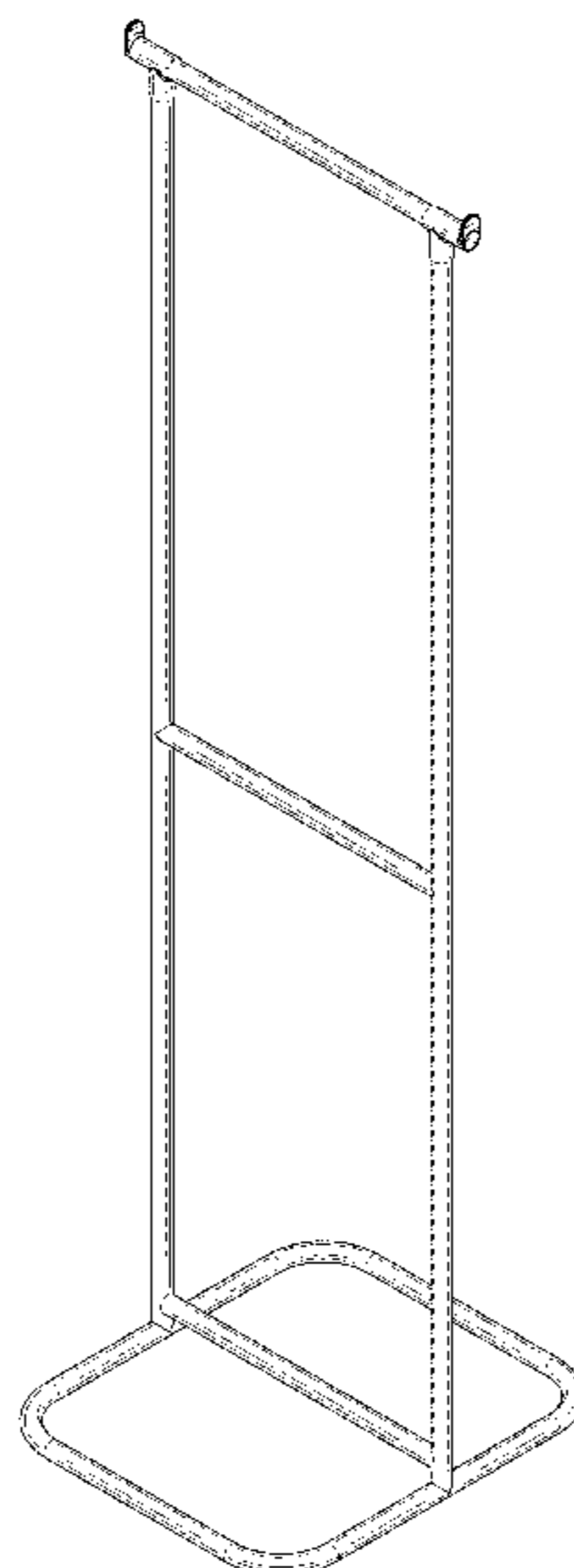
(57) **CLAIM**

The ornamental design for a laundry sorter frame, as shown and described.

**DESCRIPTION**

FIG. 1 is a front perspective view of the laundry sorter frame of the present invention;  
 FIG. 2 is a front elevation view of the laundry sorter frame of the present invention, the rear elevation view being a mirror image thereof;  
 FIG. 3 is a left-side elevation view of the laundry sorter frame of the present invention, the right-side elevation view being a mirror image thereof;  
 FIG. 4 is a top plan view of the laundry sorter frame of the present invention; and,  
 FIG. 5 is a bottom plan view of the laundry sorter frame of the present invention.  
 The portions of the laundry sorter frame shown in broken lines form no part of the claimed design.

**1 Claim, 4 Drawing Sheets**



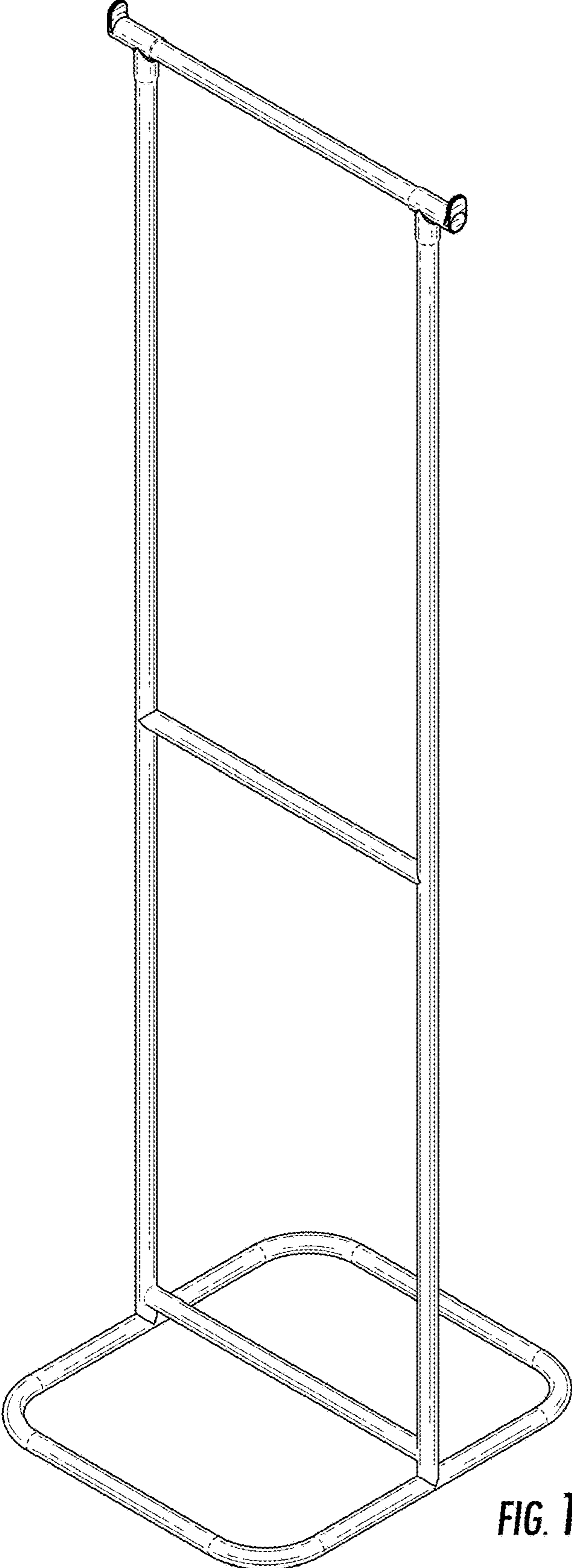


FIG. 1

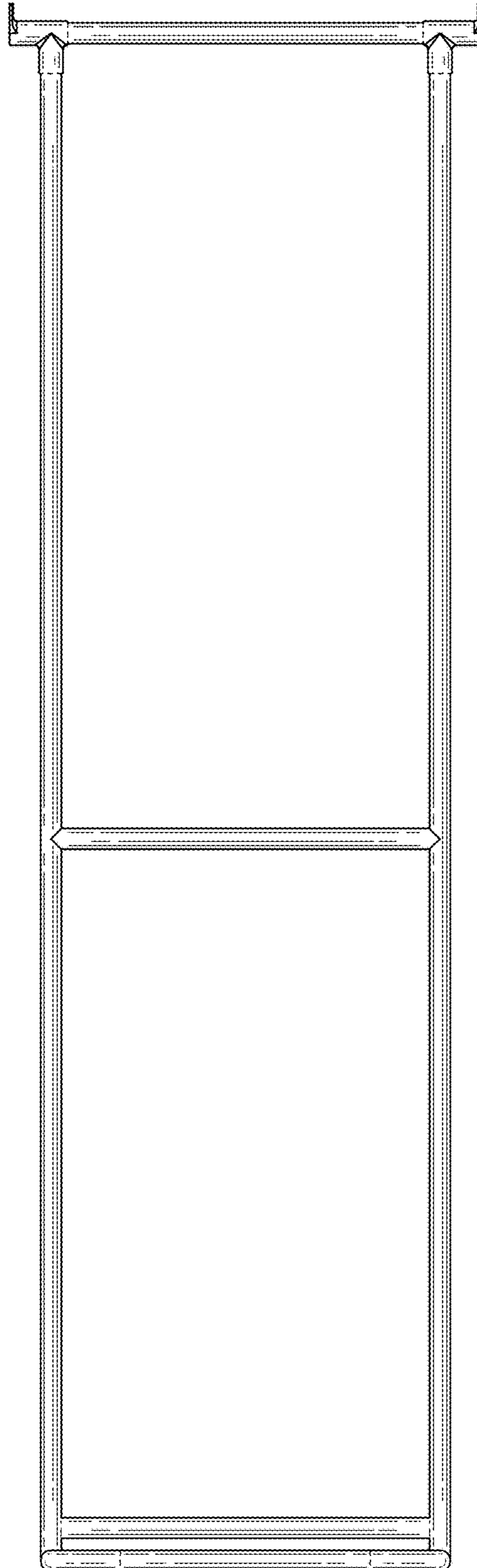
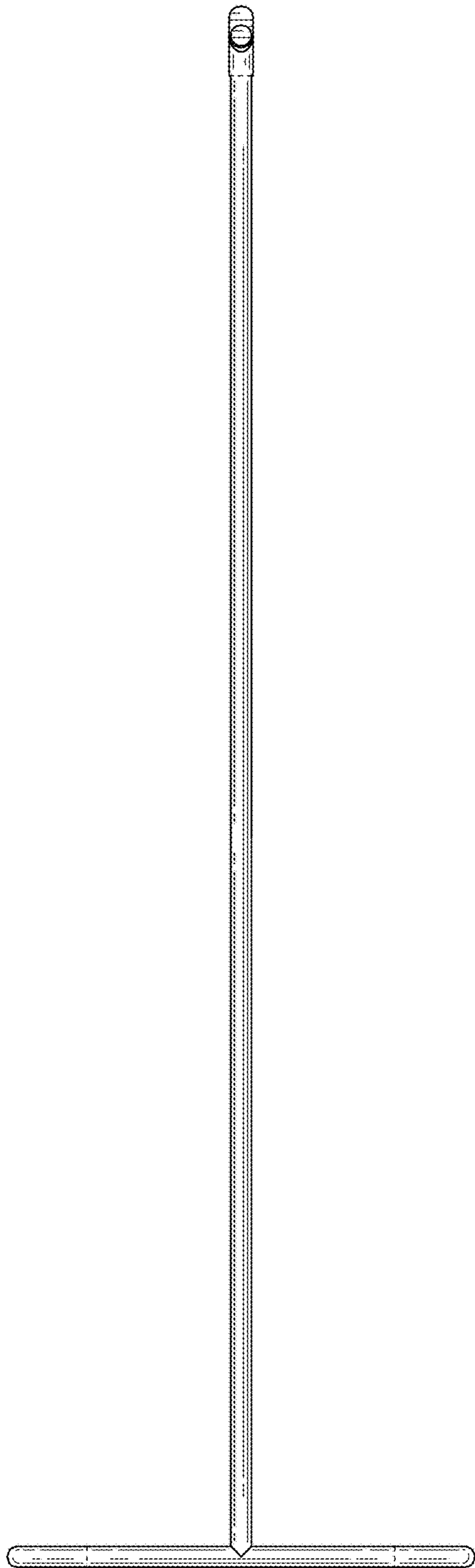


FIG. 2



**FIG. 3**

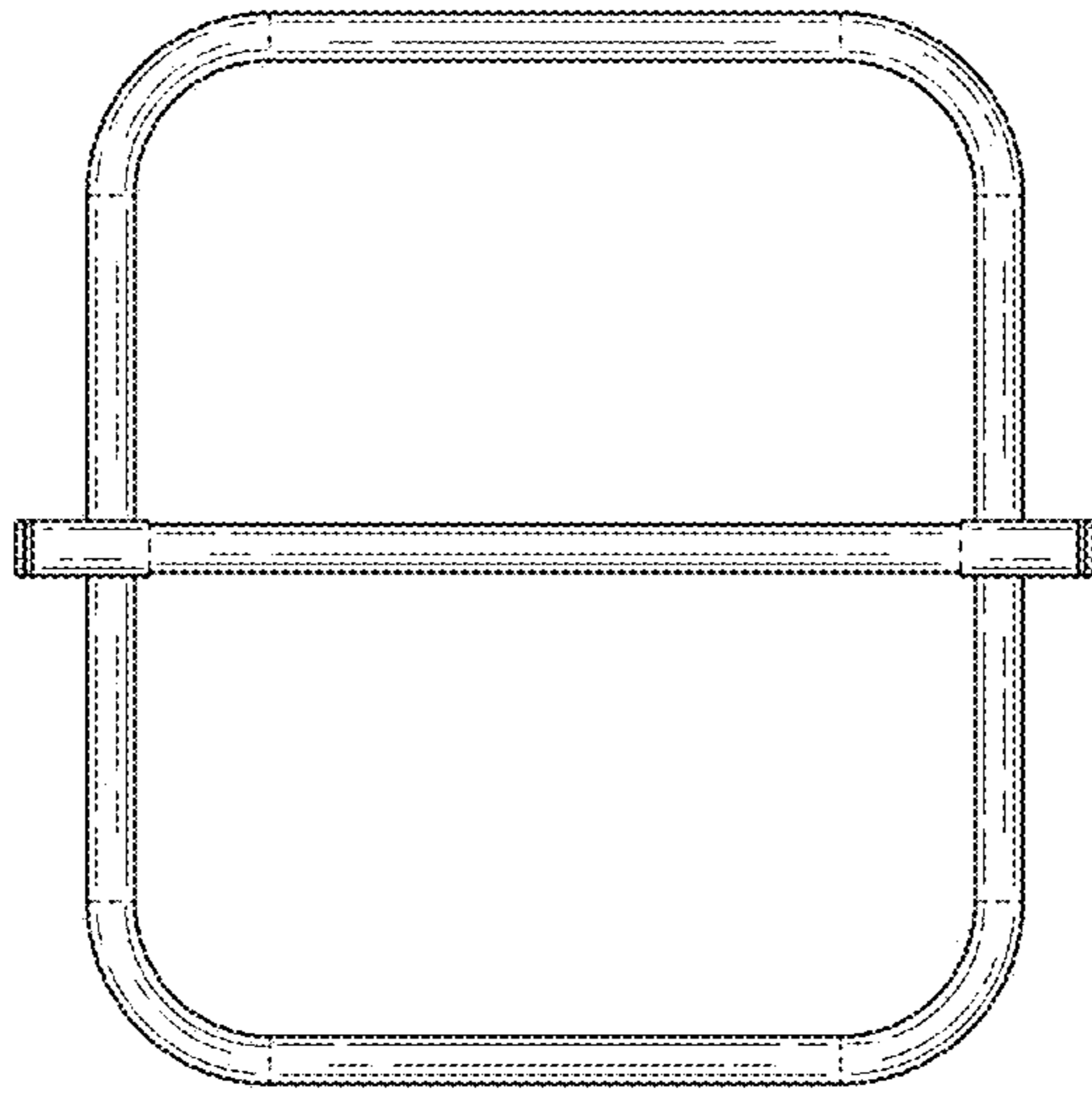


FIG. 4

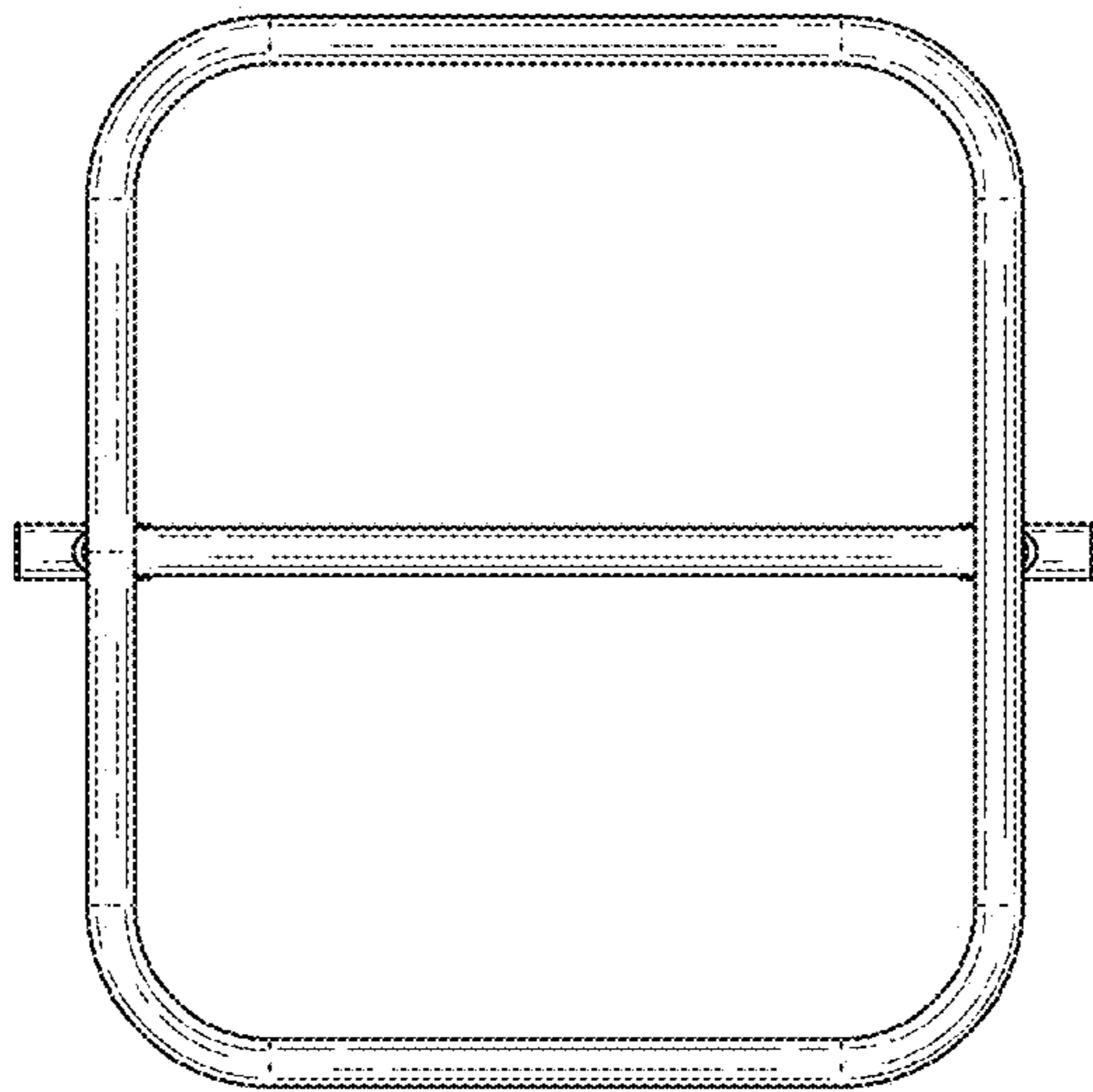


FIG. 5