



US00D827956S

(12) **United States Design Patent** (10) **Patent No.:** **US D827,956 S**  
**Spratt et al.** (45) **Date of Patent:** **\*\* Sep. 4, 2018**

(54) **STEAM GENERATOR**  
(71) Applicant: **BLACK & DECKER INC.**, New Britain, CT (US)  
(72) Inventors: **Gary Spratt**, County Durham (GB); **Neil Walmsley**, Durham (GB); **Graeme Crawley**, Newcastle upon Tyne (GB); **Christopher Hussey**, Blayton on Tyne (GB); **Stephen Houghton**, Newcastle upon Tyne (GB)  
(73) Assignee: **BLACK & DECKER INC.**, New Britain, CT (US)

D504,198 S \* 4/2005 Hopper ..... D32/17  
7,225,503 B1 \* 6/2007 Lenkiewicz ..... A47L 5/24  
15/320  
D576,369 S \* 9/2008 Choi ..... D32/68  
D576,370 S \* 9/2008 Choi ..... D32/68  
D581,620 S \* 11/2008 Chu ..... D32/68  
D667,600 S \* 9/2012 Smith ..... D32/70

(Continued)

**OTHER PUBLICATIONS**

McCulloch MC1375, posted at Amazon.com, posted on Feb. 1, 2014, site visited Nov. 16, 2017. online, Available from Internet: <https://www.amazon.com/McCulloch-MC1375-Canister-Steam-System/dp/B00G00BT72>.\*

(Continued)

*Primary Examiner* — Mary Ann Calabrese  
*Assistant Examiner* — Catherine Ho  
(74) *Attorney, Agent, or Firm* — John Yun

(\*\*) Term: **15 Years**  
(21) Appl. No.: **29/583,934**  
(22) Filed: **Nov. 10, 2016**  
(30) **Foreign Application Priority Data**

May 26, 2016 (EM) ..... 003155118

(51) **LOC (11) Cl.** ..... **15-05**  
(52) **U.S. Cl.**  
USPC ..... **D32/21; D32/17**

(58) **Field of Classification Search**  
USPC ..... D12/180; D13/101, 102, 103, 107, 112, D13/114, 115, 116, 118, 122, 125, 133, D13/162.1, 184, 199; D14/188; D23/315, 356, 377; D25/35; D32/17, D32/21, 68, 70, 71, 73  
CPC ... A47L 11/34; F01K 3/22; F01K 7/24; F01K 7/22; F22B 35/14; F22B 3/06; F22B 1/28; F22B 1/287; H01L 21/02046; H01L 21/02052; H01L 21/67028; F24J 3/00; F24J 3/083

See application file for complete search history.

(56) **References Cited**

**U.S. PATENT DOCUMENTS**

D374,322 S \* 10/1996 Maeda ..... D32/70  
6,295,691 B1 \* 10/2001 Chen ..... A47L 1/08  
15/321

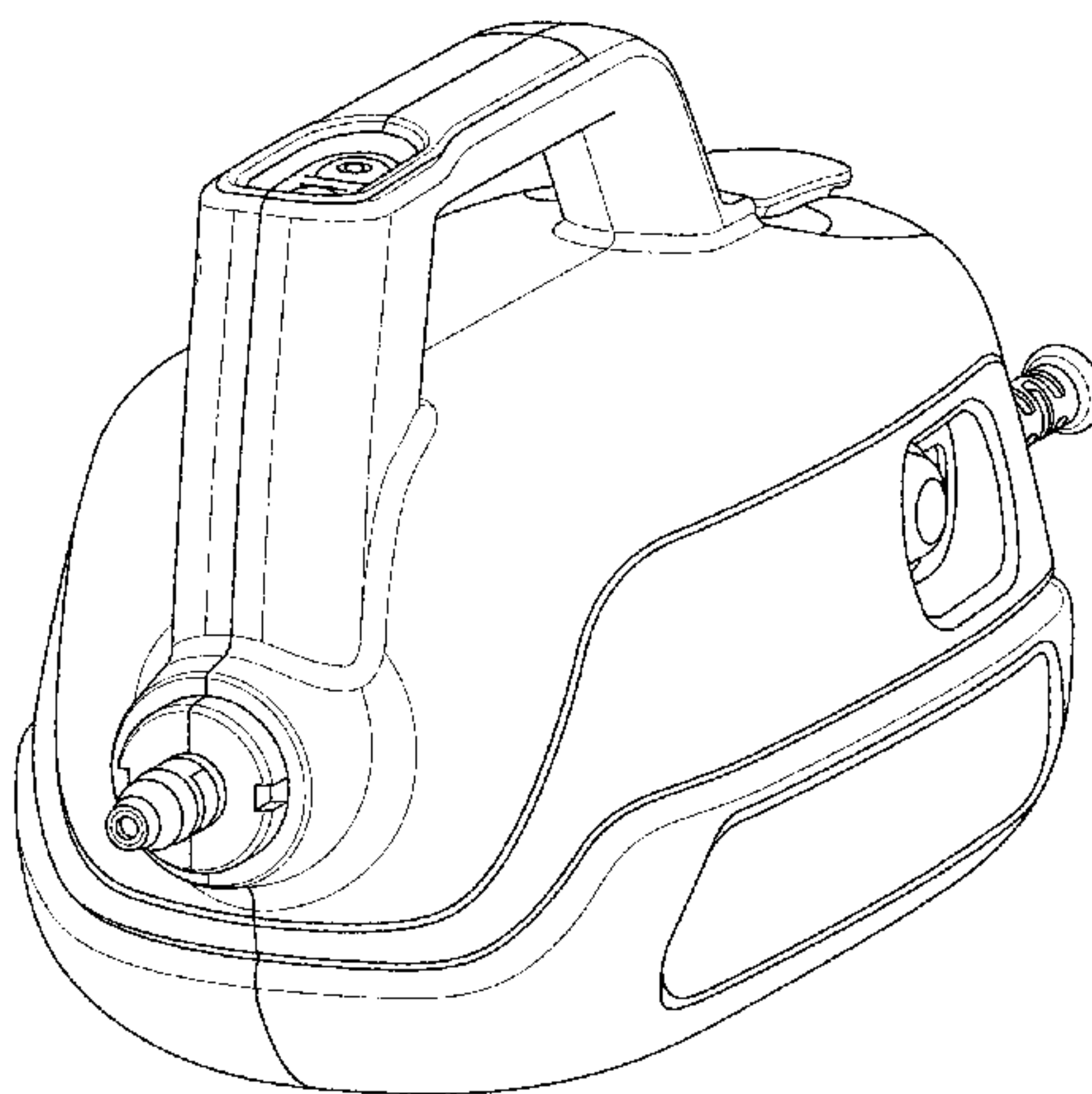
(57) **CLAIM**

The ornamental design for a steam generator, as shown and described.

**DESCRIPTION**

FIG. 1 is a perspective view of a steam generator showing our new design;  
FIG. 2 is a left side view thereof  
FIG. 3 is a right side view thereof;  
FIG. 4 is a front view thereof;  
FIG. 5 is a rear view thereof;  
FIG. 6 is a top plan view thereof; and,  
FIG. 7 is a bottom plan view thereof.  
The broken line portions of the drawings are included to show portions of the article that form no part of the claimed invention.

**1 Claim, 7 Drawing Sheets**



(56)

**References Cited**

U.S. PATENT DOCUMENTS

2002/0144374 A1\* 10/2002 Tsen ..... A47L 11/34  
15/321  
2003/0033687 A1\* 2/2003 Tsen ..... A47L 11/34  
15/322

OTHER PUBLICATIONS

Vaporetto Handy Multi-Surface Portable Steam Cleaner, posted at Amazon.com, posted on Dec. 10, 2015, site visited Nov. 16, 2017. online, Available from Internet: <https://www.amazon.com/Vaporetto-Multi-Surface-Portable-Cleaner-Accessories/dp/B00V6GEEIG>.\*

\* cited by examiner

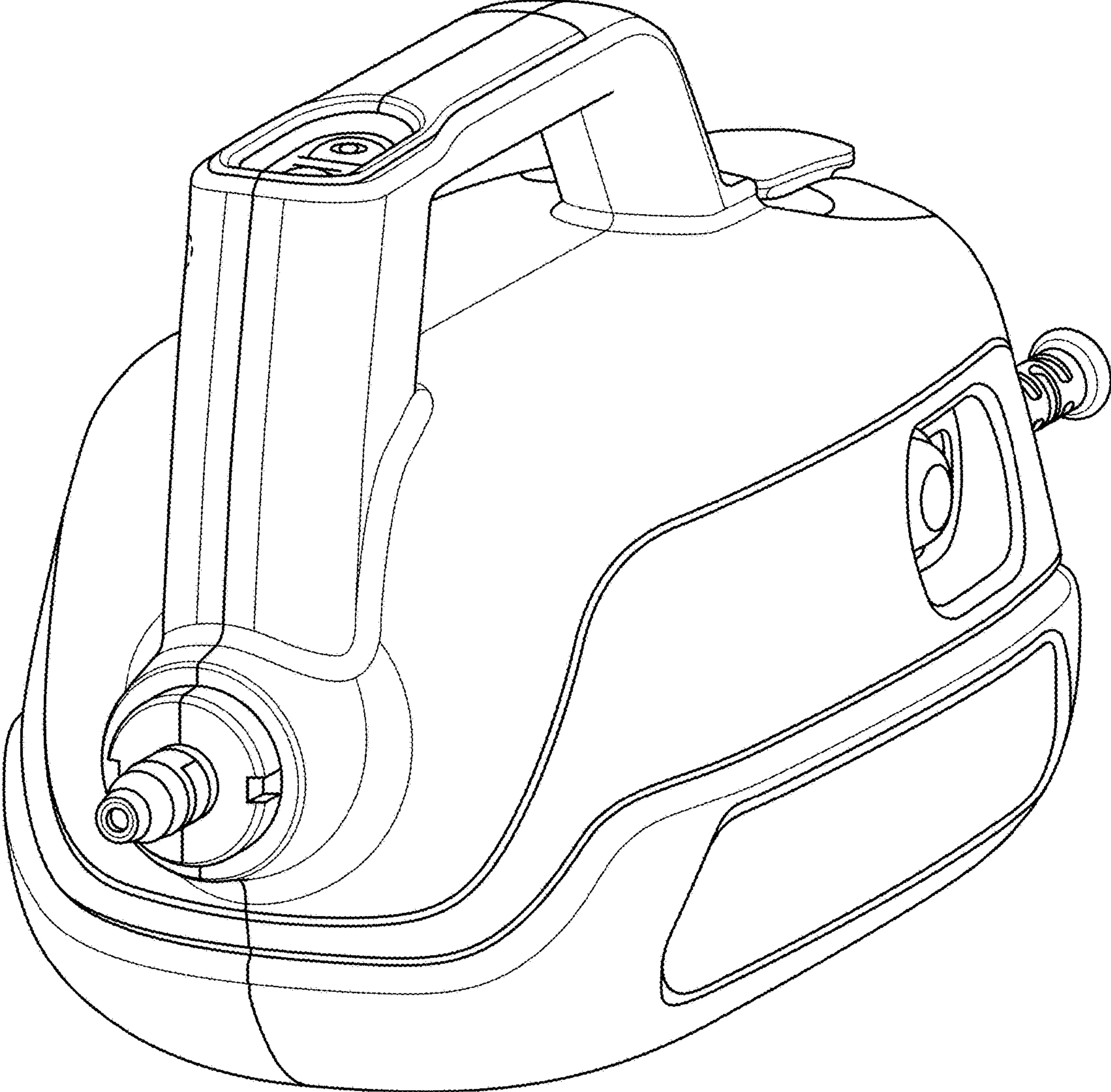


FIG. 1

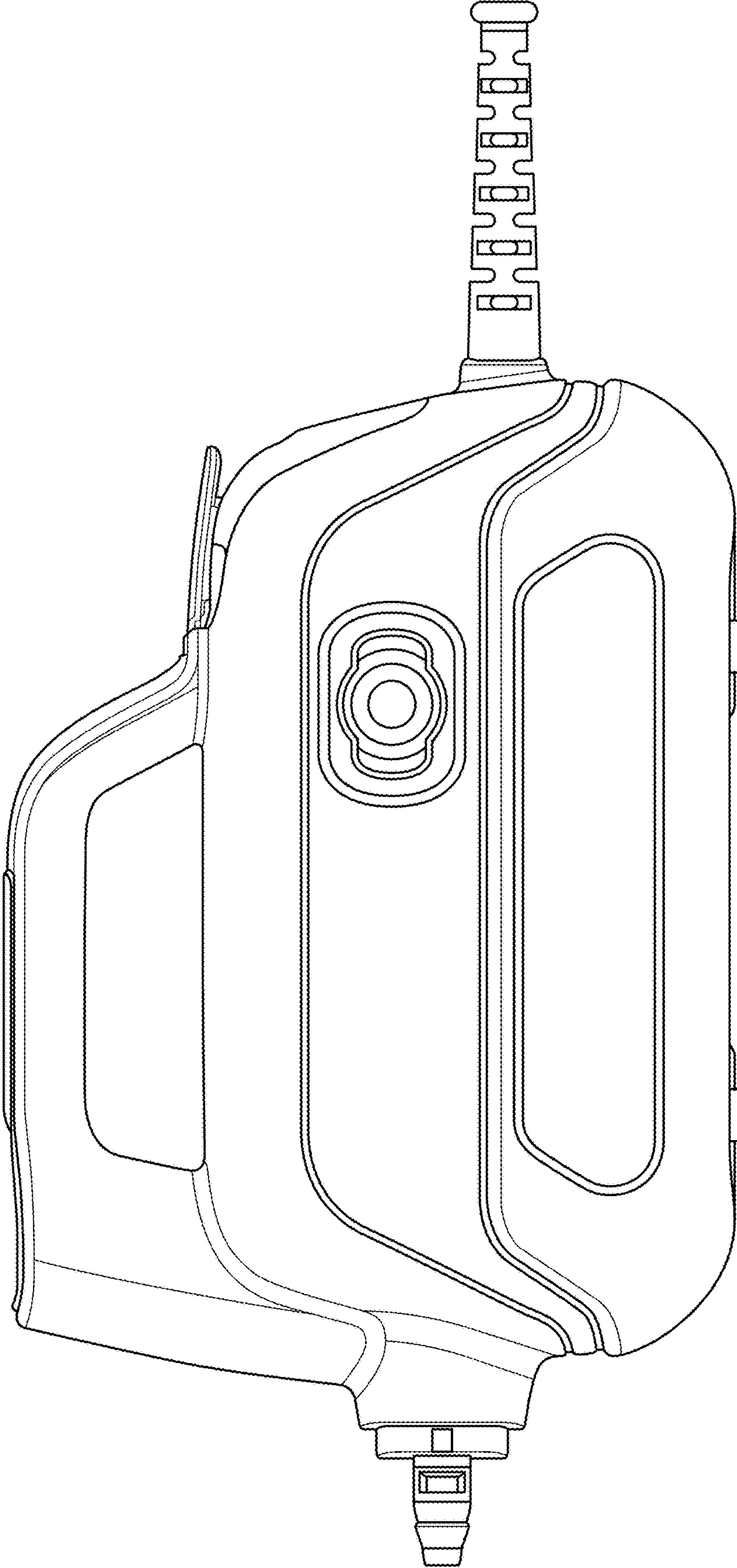


FIG. 2



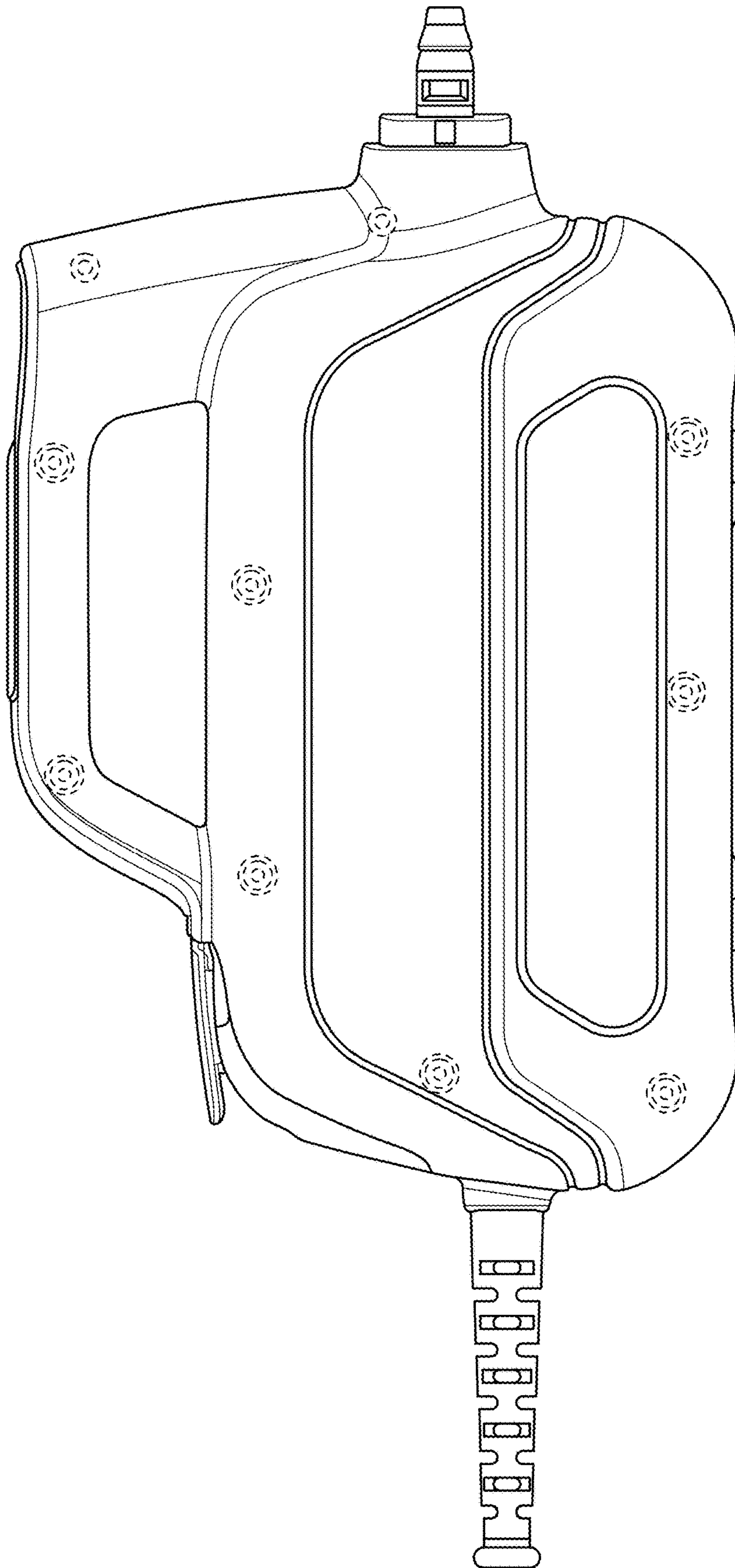


FIG. 3

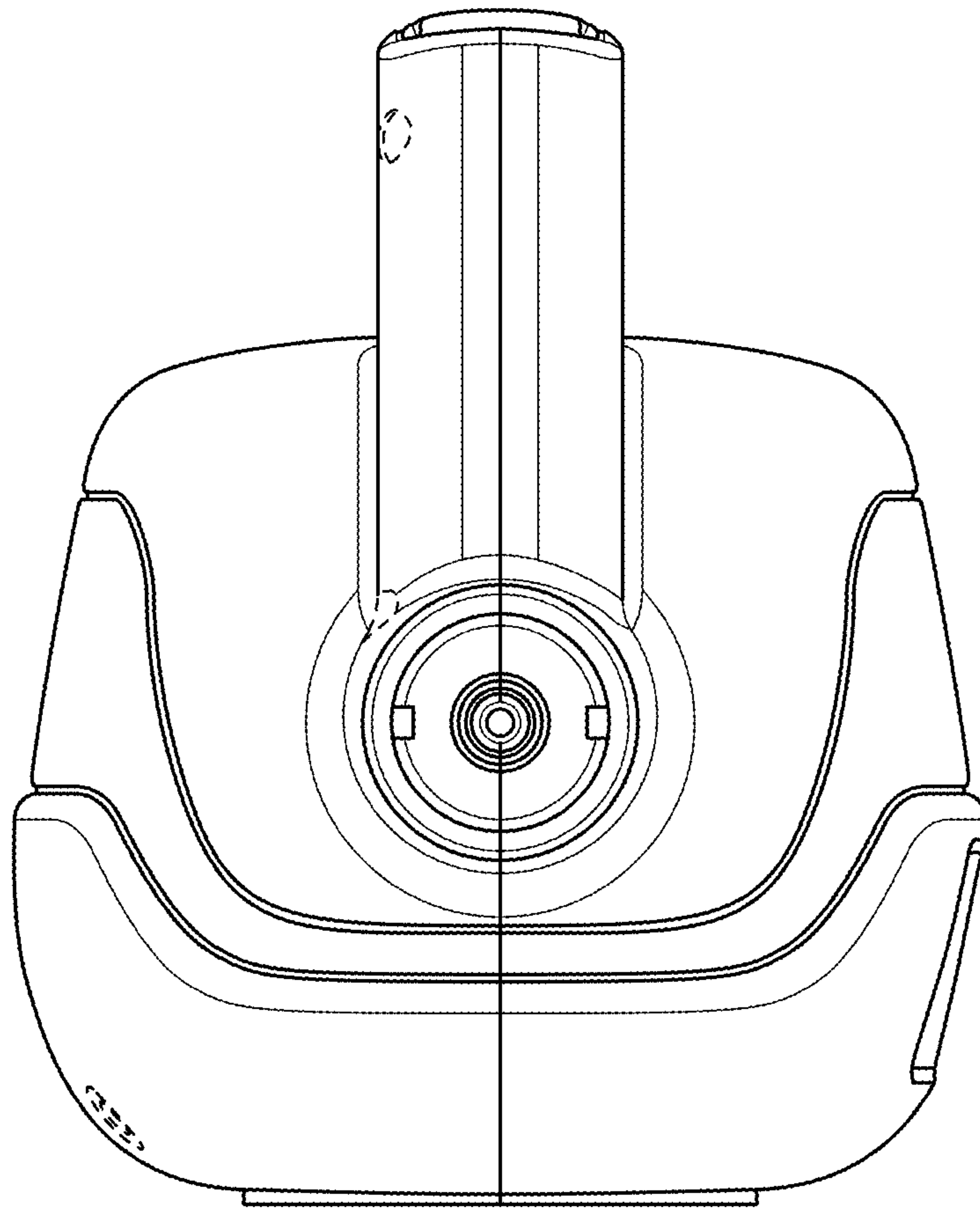


FIG. 4

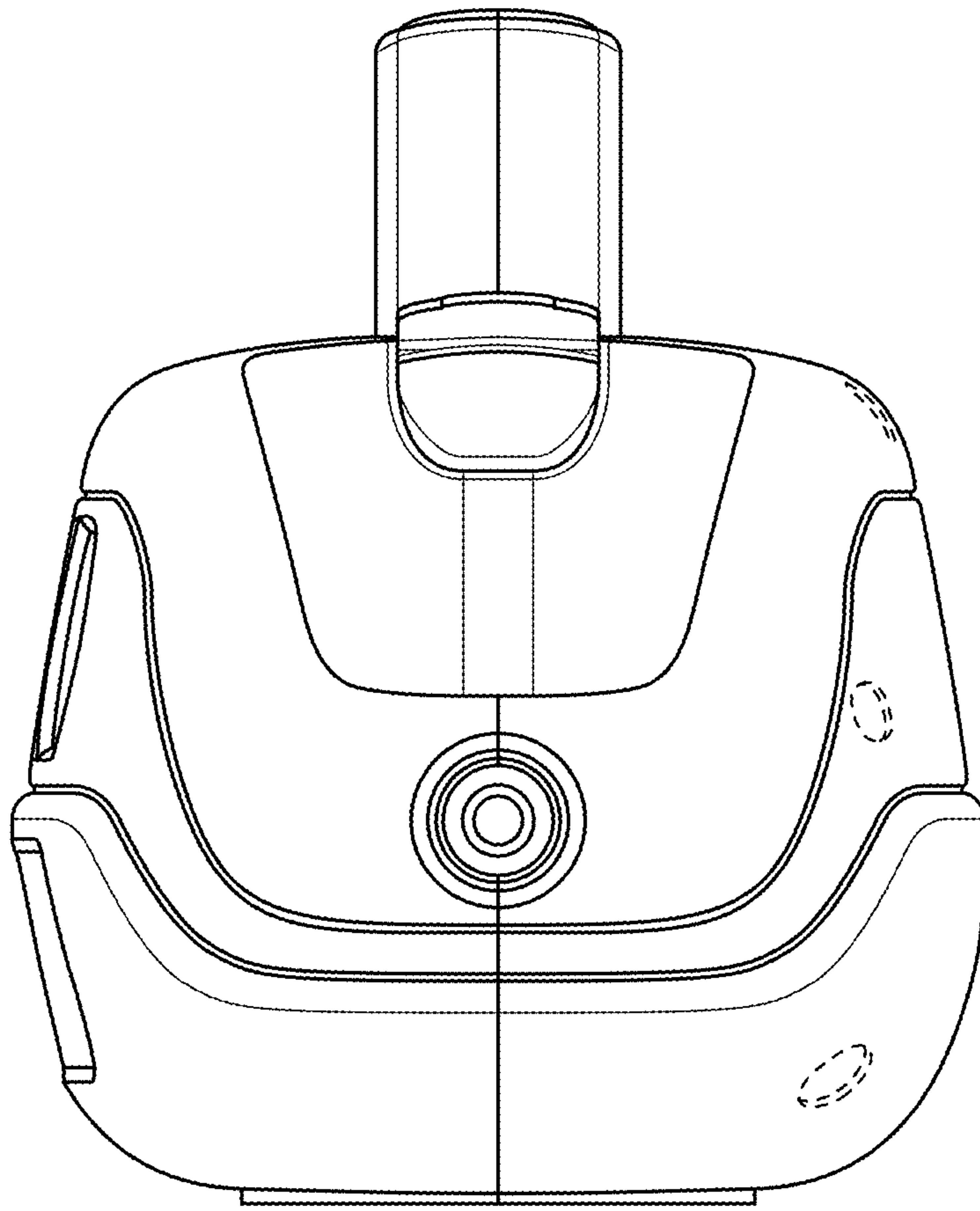


FIG. 5

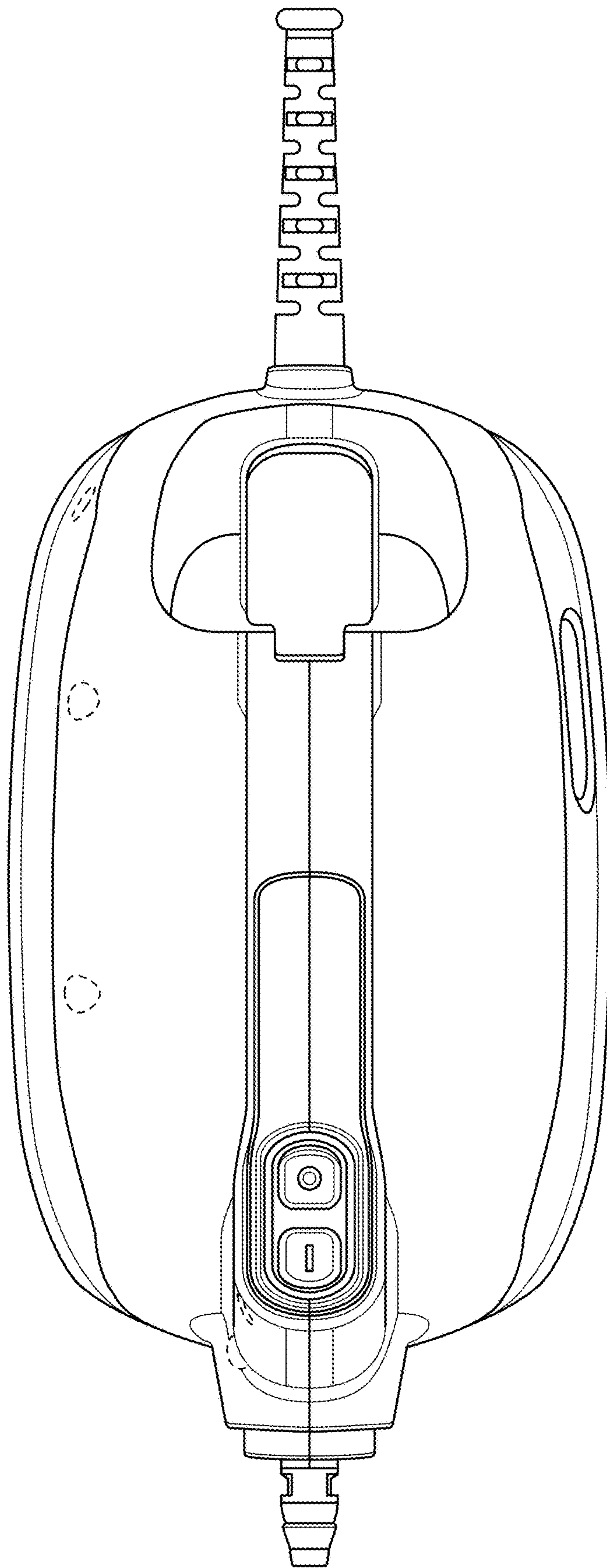


FIG. 6



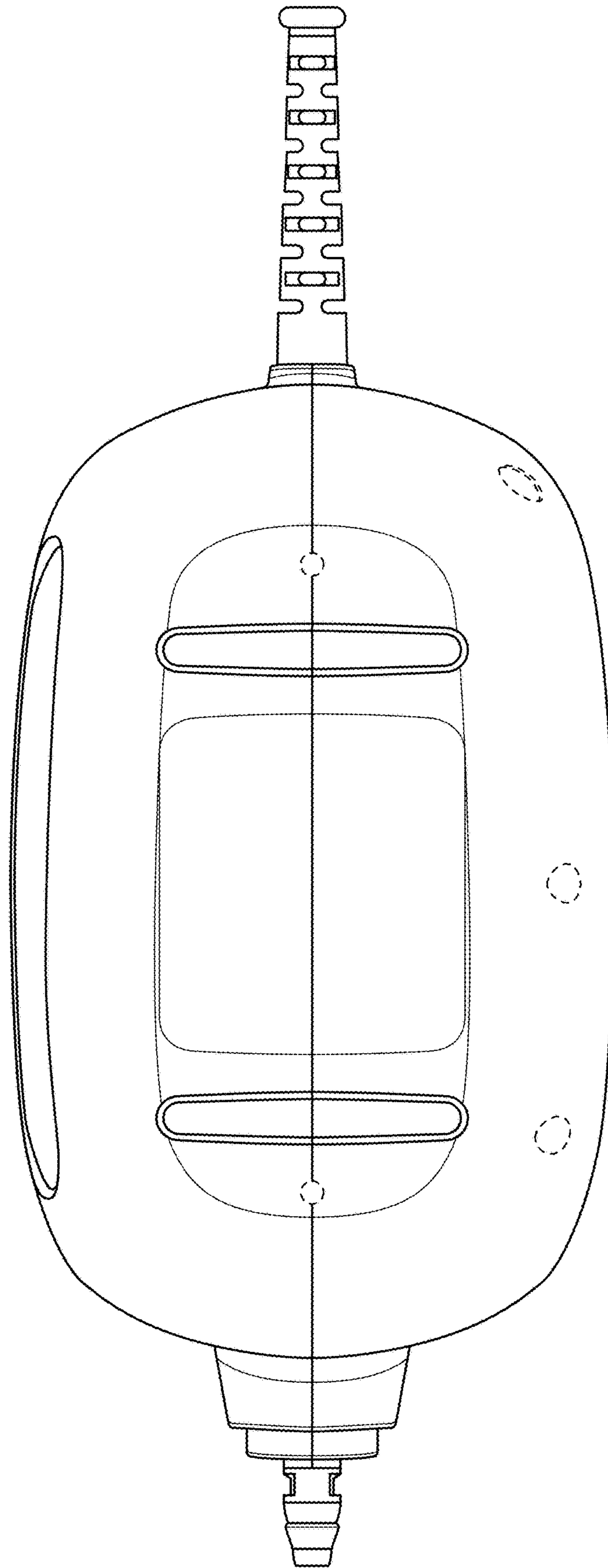


FIG. 7