



US00D827954S

(12) **United States Design Patent**  
**Sprengers et al.**

(10) **Patent No.:** **US D827,954 S**

(45) **Date of Patent:** **\*\* Sep. 4, 2018**

- (54) **FLOOR CLEANING MACHINE**
- (71) Applicant: **AMANO CORPORATION**,  
Kanagawa-Ken (JP)
- (72) Inventors: **David Sprengers**, Antwerp (BE); **Eric Dumortier**, Antwerp (BE)
- (73) Assignee: **AMANO CORPORATION**,  
Kanagawa-Ken (JP)
- (\*\*) Term: **15 Years**
- (21) Appl. No.: **35/502,621**
- (22) Filed: **Sep. 14, 2016**
- (80) **Hague Agreement Data**  
Int. Filing Date: **Sep. 14, 2016**  
Int. Reg. No.: **DM/093584**  
Int. Reg. Date: **Sep. 14, 2016**  
Int. Reg. Pub. Date: **Mar. 17, 2017**

- D569,057 S \* 5/2008 Goff ..... D32/16
- D661,853 S \* 6/2012 Dammkoehler ..... D32/16
- D693,071 S \* 11/2013 Dammkoehler ..... D32/16
- D708,407 S \* 7/2014 Chu ..... D32/21
- D734,573 S \* 7/2015 Dammkoehler ..... D32/16
- D785,254 S \* 4/2017 Dammkoehler ..... D32/16
- D793,635 S \* 8/2017 Dammkoehler ..... D32/16

\* cited by examiner

*Primary Examiner* — Michael A. Pratt

(74) *Attorney, Agent, or Firm* — Saliwanchik, Lloyd & Eisenschenk

- (30) **Foreign Application Priority Data**  
Mar. 15, 2016 (JP) ..... 2016-005564
- (51) **LOC (11) Cl.** ..... **15-05**
- (52) **U.S. Cl.**  
USPC ..... **D32/16**
- (58) **Field of Classification Search**  
USPC ..... D32/16  
CPC .. A46B 13/001; A47L 11/4038; A47L 11/305;  
A47L 11/30; A47L 11/4055  
See application file for complete search history.

(57) **CLAIM**

The ornamental design for a floor cleaning machine, as shown and described.

**DESCRIPTION**

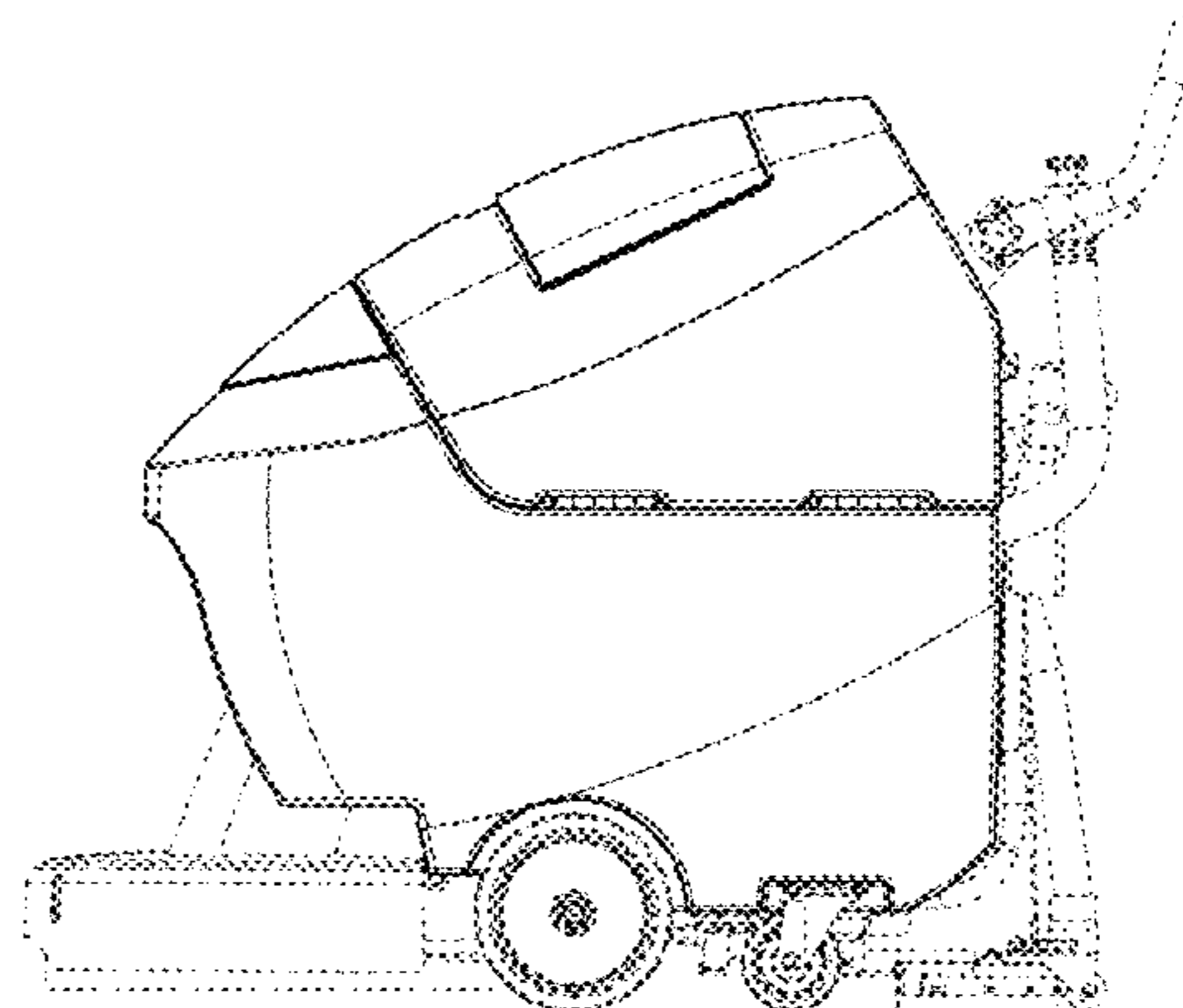
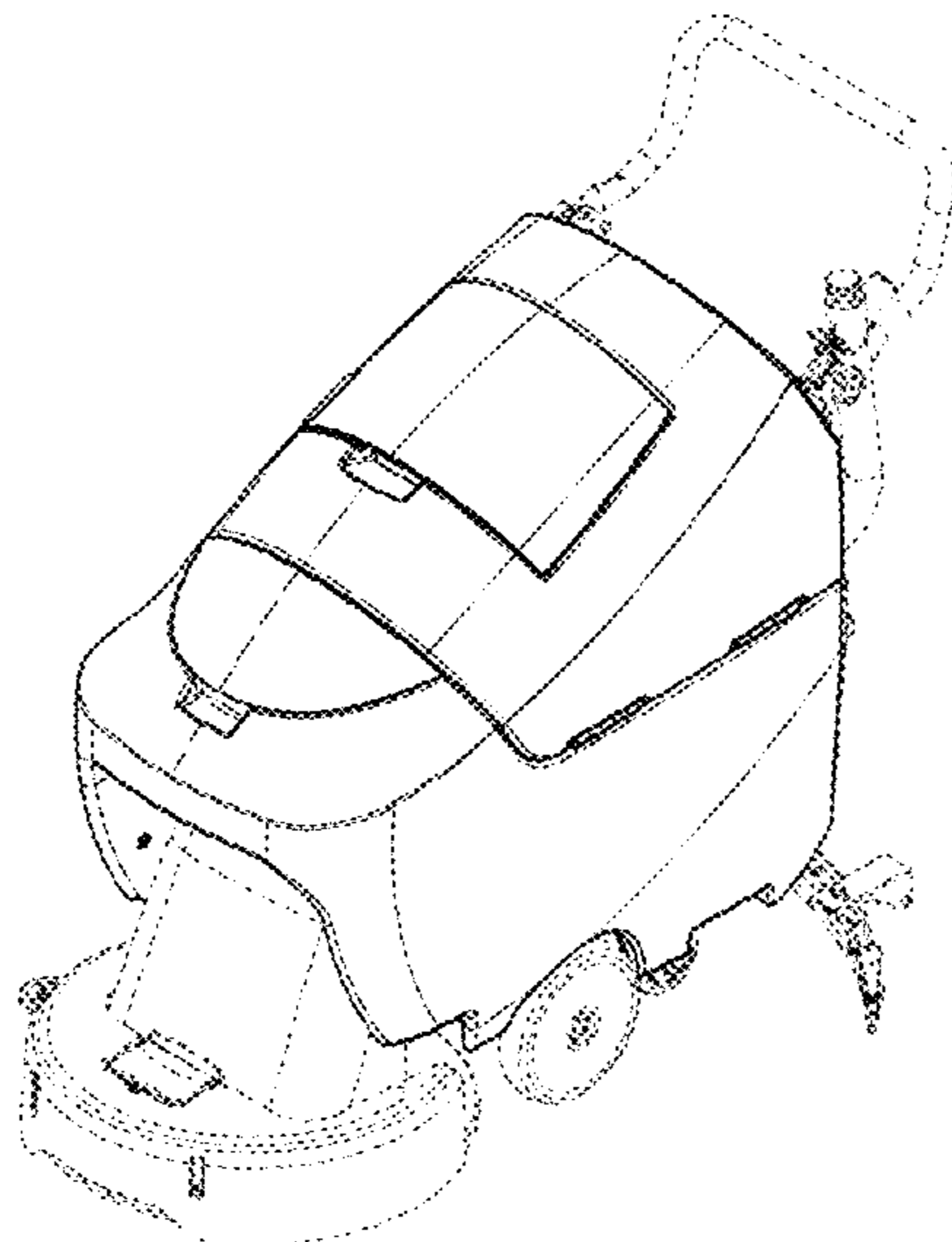
- 1. Floor cleaning machine
- 1.1 : Perspective
- 1.2 : Front
- 1.3 : Back
- 1.4 : Right
- 1.5 : Left
- 1.6 : Top
- 1.7 : Bottom

The broken lines shown in Figures 1.1 through 1.7 are for the purpose of illustrating portions for the floor cleaning machine that form no part of the claimed design.

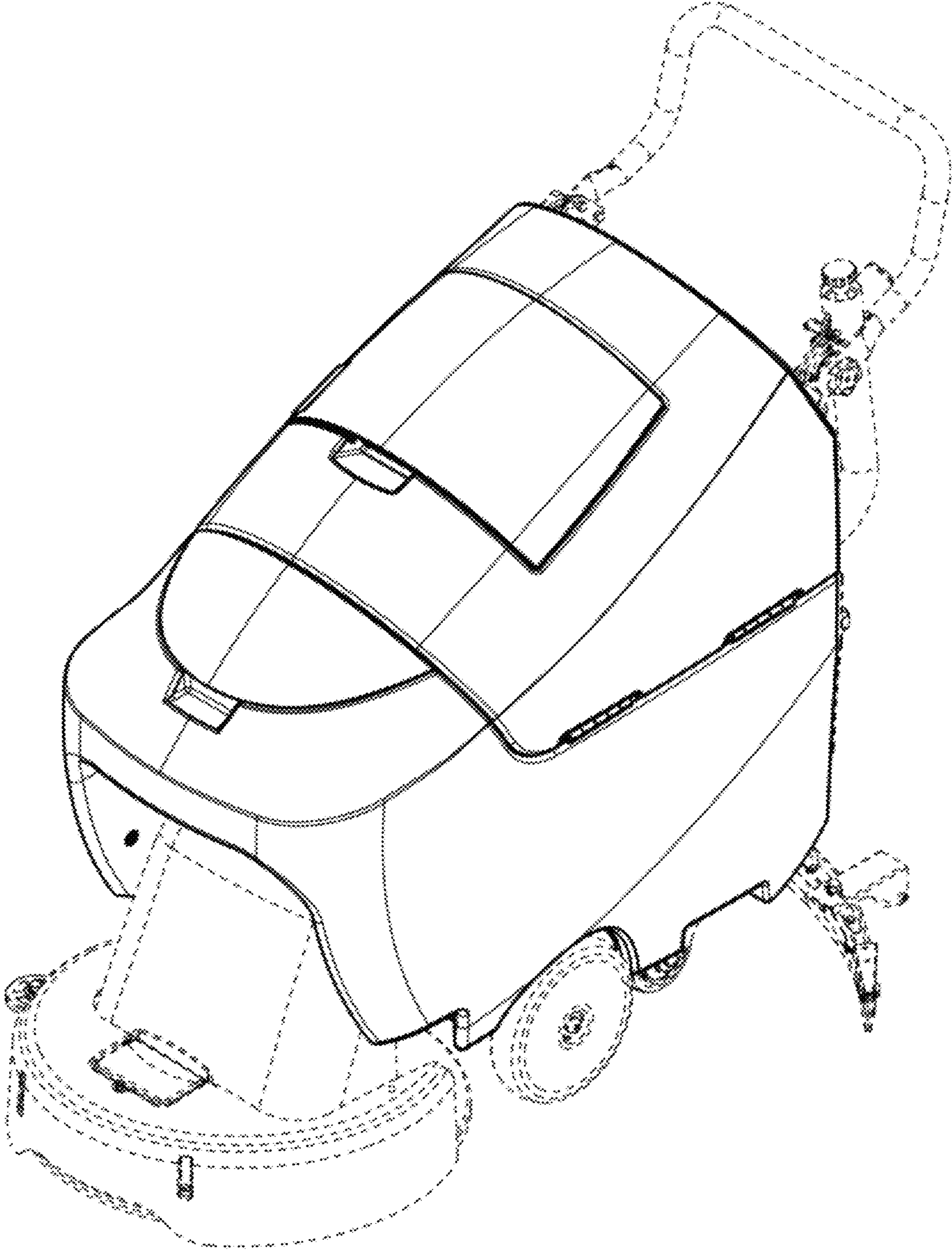
The floor cleaning machine is to be used for washing and brush cleaning the floors of buildings, offices, factories or the like, and for vacuuming the resulting dirty water.

- (56) **References Cited**  
U.S. PATENT DOCUMENTS  
D364,012 S \* 11/1995 Bothun ..... D32/19  
D417,045 S \* 11/1999 Dziersk ..... D32/16

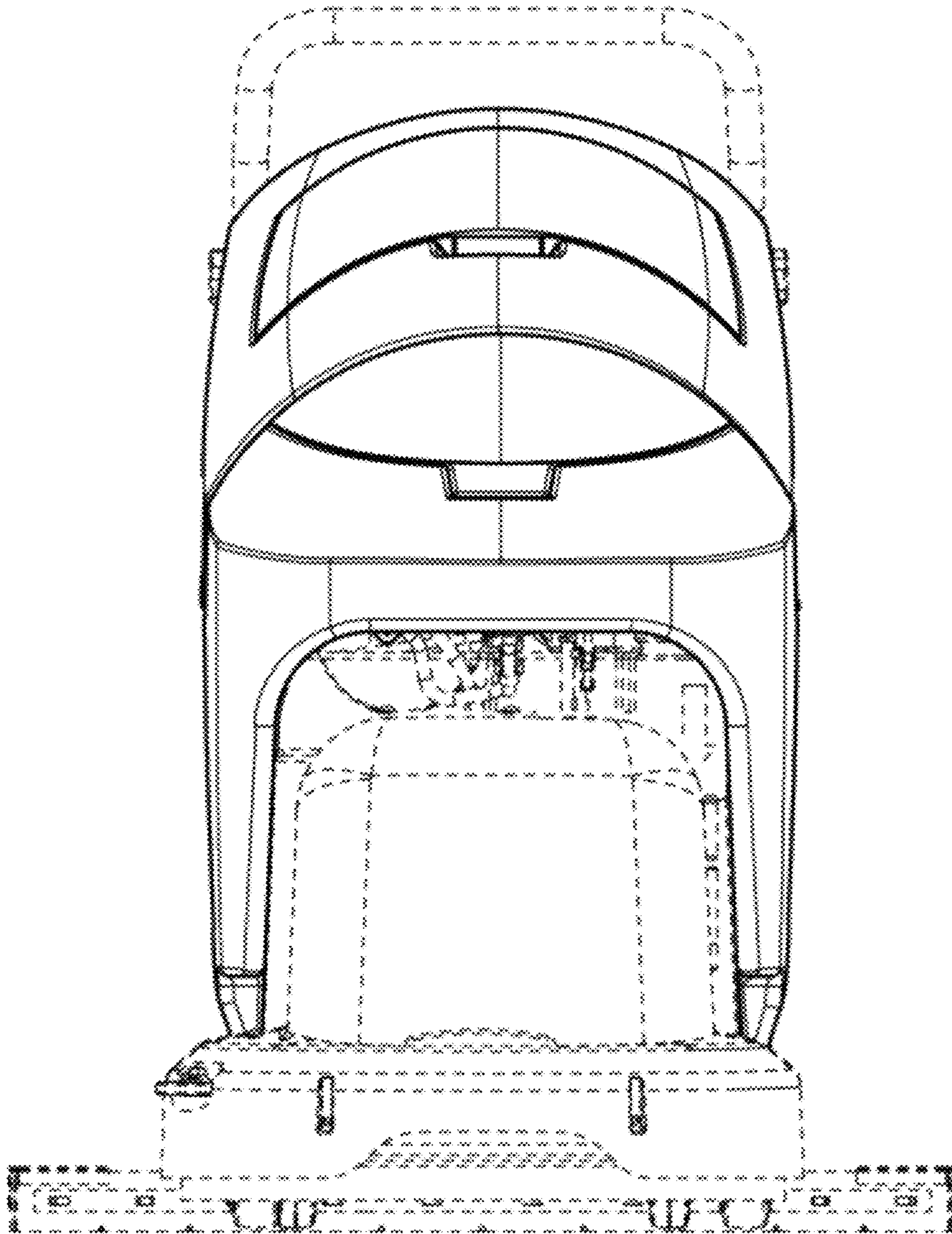
**1 Claim, 7 Drawing Sheets**



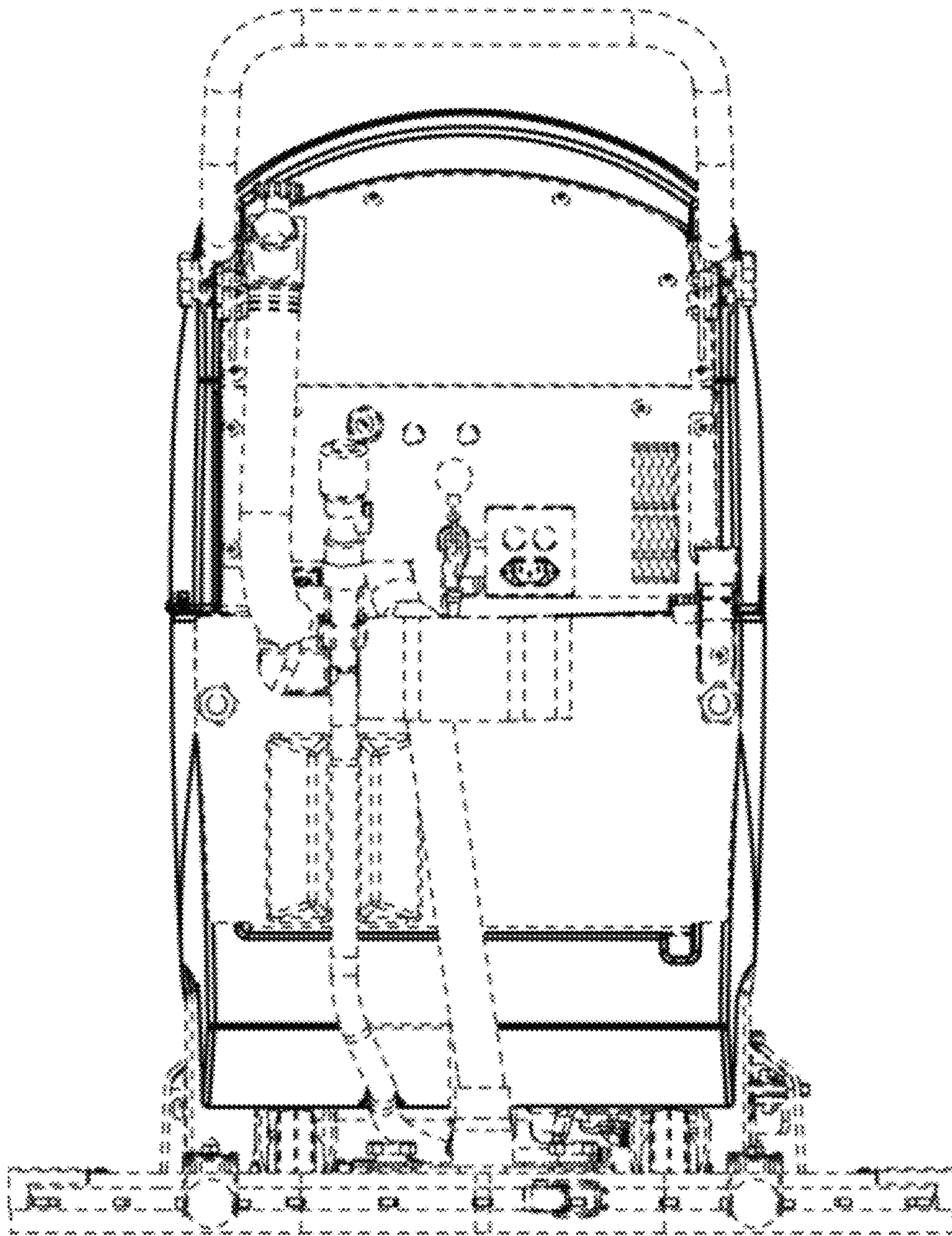
1.1



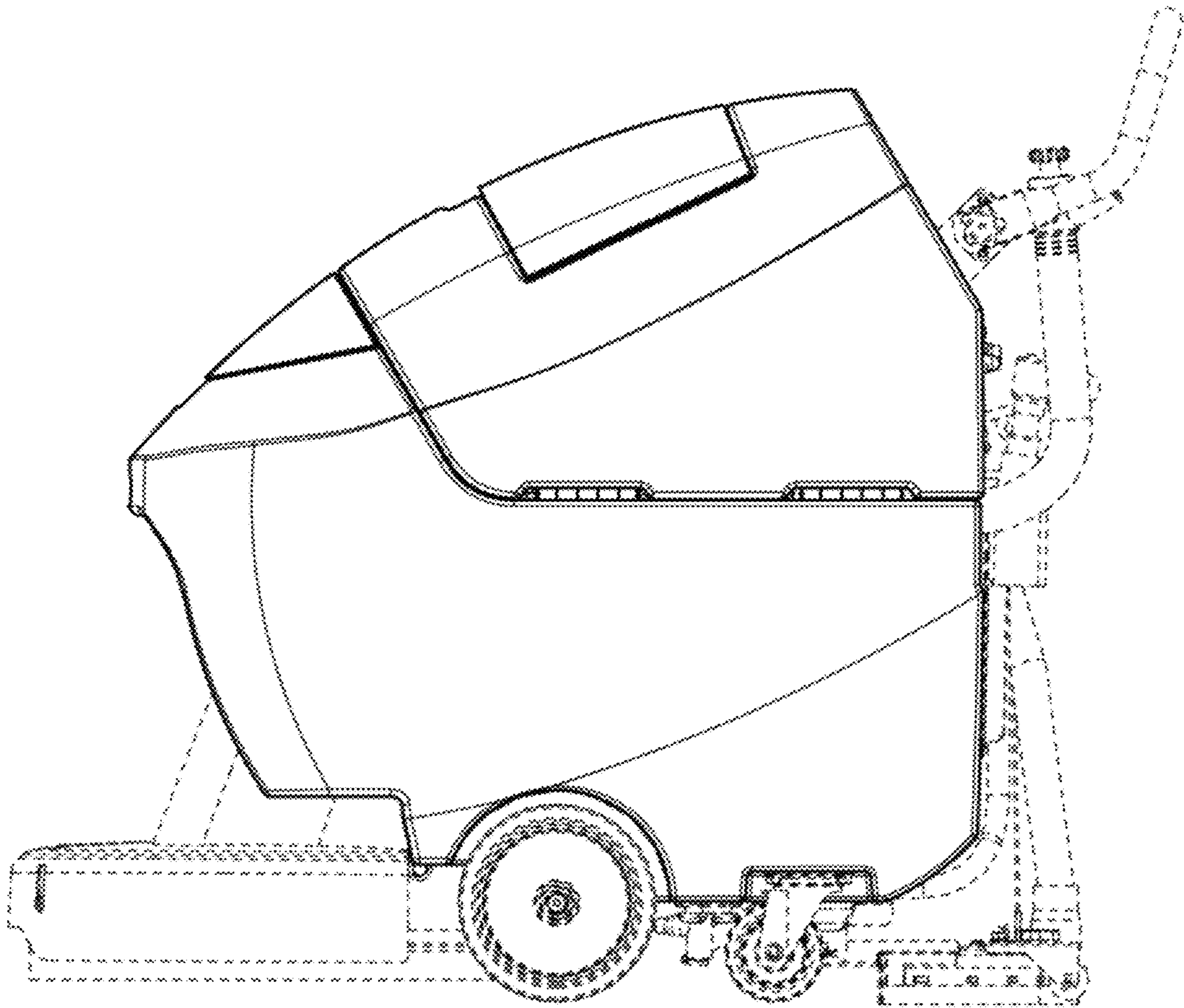
1.2



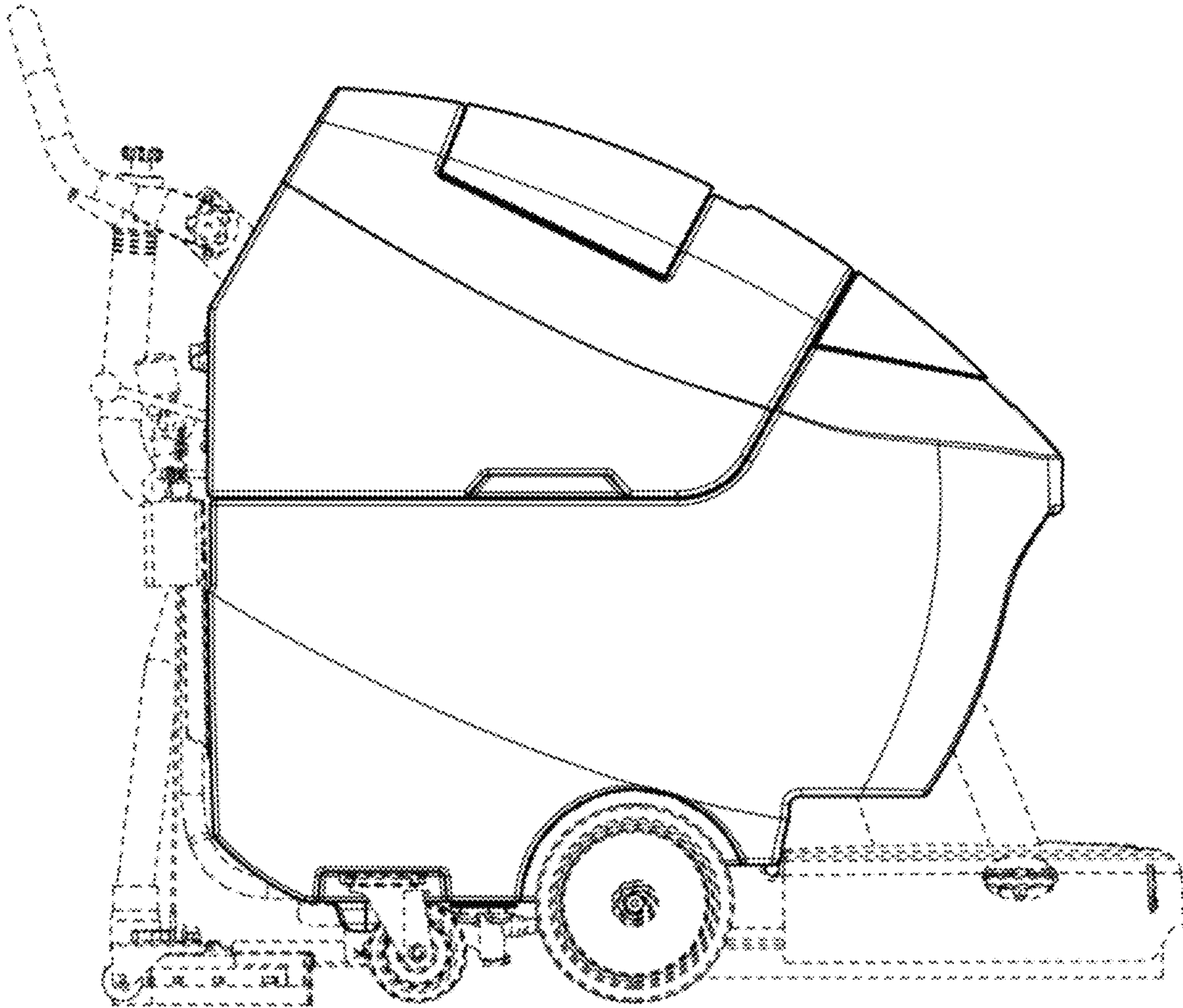
1.3



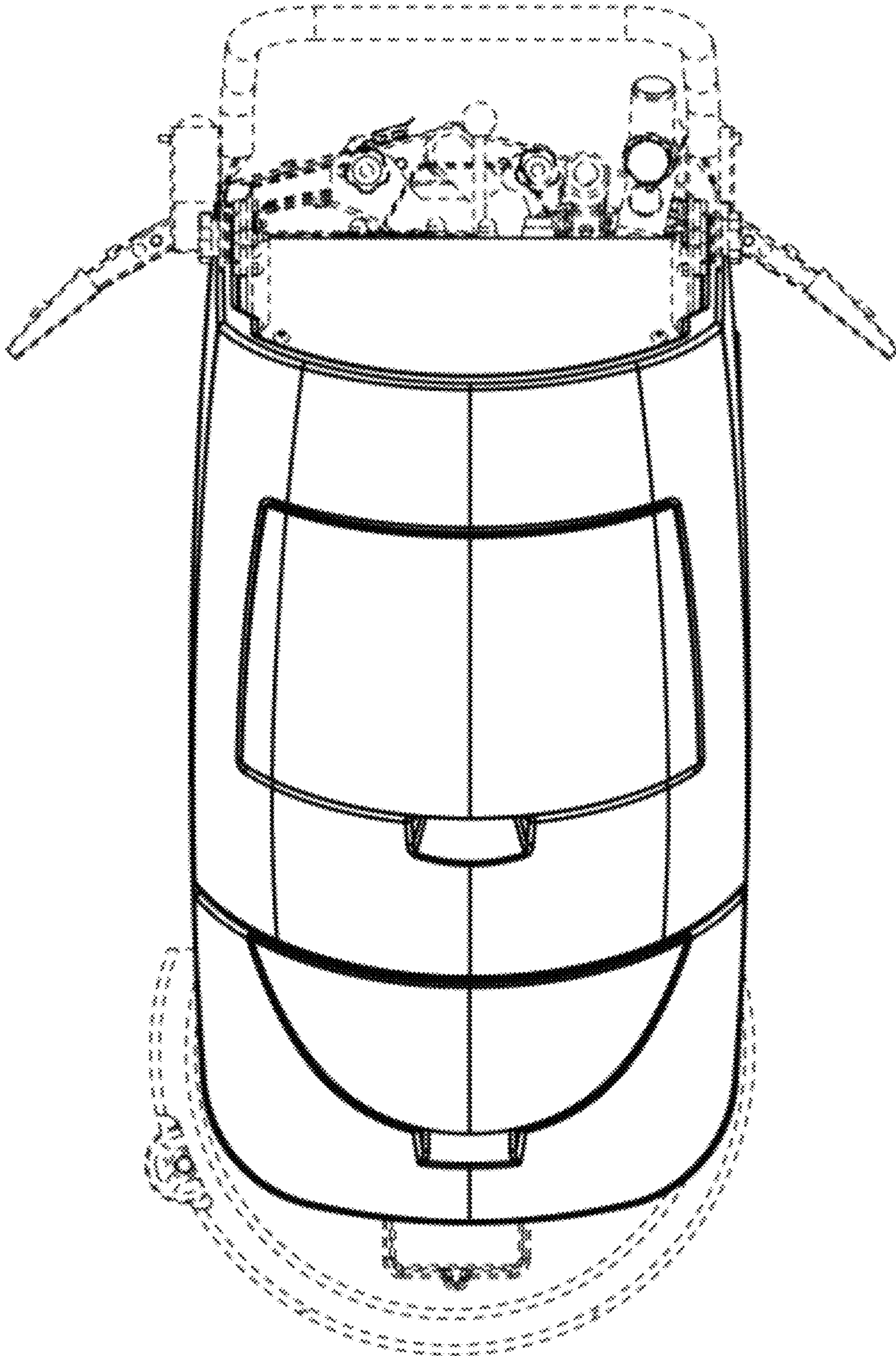
1.4



1.5



1.6



1.7

