



US00D827952S

(12) **United States Design Patent** (10) **Patent No.:** **US D827,952 S**
Kim (45) **Date of Patent:** **** Sep. 4, 2018**

- (54) **DOOR FOR DISHWASHER**
- (71) Applicant: **SAMSUNG ELECTRONICS CO., LTD.**, Suwon-si, Gyeonggi-do (KR)
- (72) Inventor: **Daejoun Kim**, Suwon-si (KR)
- (73) Assignee: **SAMSUNG ELECTRONICS CO., LTD.**, Gyeonggi-Do (KR)
- (**) Term: **15 Years**
- (21) Appl. No.: **29/597,869**
- (22) Filed: **Mar. 21, 2017**
- (30) **Foreign Application Priority Data**

D685,149 S *	6/2013	Eng	D32/3
D698,506 S *	1/2014	Eng	D32/3
D698,507 S *	1/2014	Eng	D32/3
D702,897 S *	4/2014	Eng	D32/3
D702,899 S *	4/2014	Eng	D32/3
D706,502 S *	6/2014	Eng	D32/3
D706,997 S *	6/2014	Eng	D32/3
D720,100 S *	12/2014	Roberson	D32/3
D729,992 S *	5/2015	Haft	D32/3
D730,593 S *	5/2015	Eng	D32/3
D732,758 S *	6/2015	Roberson	D32/3
D732,759 S *	6/2015	Roberson	D32/3
D732,761 S *	6/2015	Roberson	D32/3
D734,902 S *	7/2015	Eng	D32/3
D741,031 S *	10/2015	Roberson	D32/3
D743,119 S *	11/2015	Roberson	D32/3
D743,121 S *	11/2015	Roberson	D32/3
D745,755 S *	12/2015	Roberson	D32/3
D748,353 S *	1/2016	Roberson	D32/3

(Continued)

Nov. 7, 2016 (KR) 30-2016-0053420

- (51) **LOC (11) Cl.** **15-05**
- (52) **U.S. Cl.**
USPC **D32/3**
- (58) **Field of Classification Search**
USPC D32/1, 2; D15/91; D7/405-406
CPC .. A47L 15/00; A47L 15/0002; A47L 15/0005;
A47L 15/0007; A47L 15/0076
See application file for complete search history.

Primary Examiner — Michelle E Wilson
(74) *Attorney, Agent, or Firm* — Cantor Colburn LLP

(57) **CLAIM**

The ornamental design for a door for dishwasher, as shown and described.

DESCRIPTION

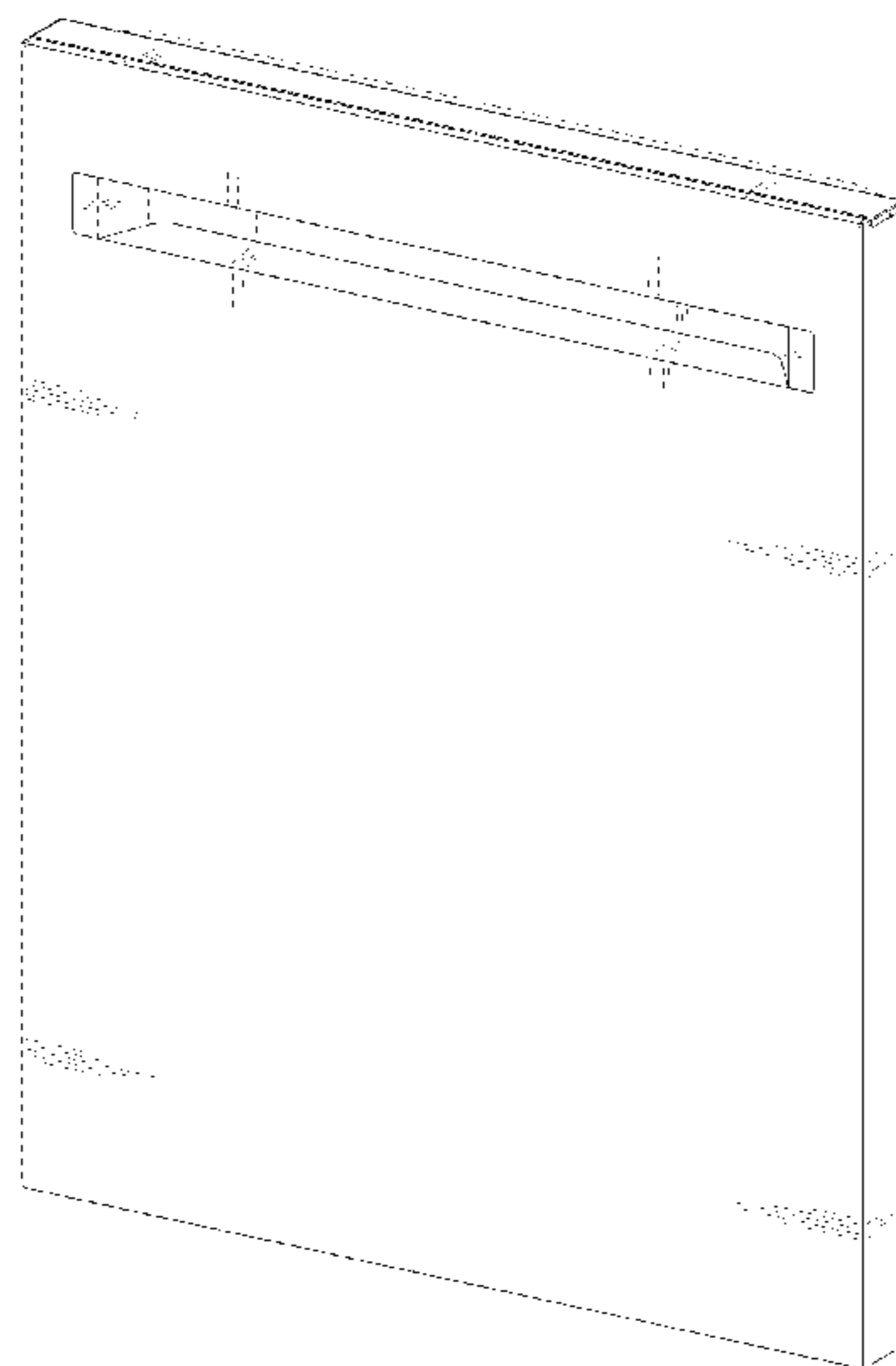
FIG. 1 is the perspective view of a door for dishwasher showing my new design;
FIG. 2 is the front view thereof;
FIG. 3 is the rear view thereof;
FIG. 4 is the left side view thereof;
FIG. 5 is the right side view thereof;
FIG. 6 is the top view thereof;
FIG. 7 is the bottom view thereof; and,
FIG. 8 is the perspective view thereof shown in an example environment.
The broken lines in the figures depict environmental subject matter and form no part of the claimed design.

(56) **References Cited**

U.S. PATENT DOCUMENTS

D425,676 S *	5/2000	Roberts	D32/3
D480,520 S *	10/2003	Resuello	D32/3
D516,758 S *	3/2006	Kirk	D32/3
D517,252 S *	3/2006	Kirk	D32/3
D539,994 S *	4/2007	Pezzetta	D32/3
D558,409 S *	12/2007	Pezzetta	D32/3
D665,956 S *	8/2012	Eng	D32/2
D668,404 S *	10/2012	Eng	D32/3
D672,101 S *	12/2012	Eng	D32/3
D675,792 S *	2/2013	Eng	D32/3
D684,734 S *	6/2013	Eng	D32/3

1 Claim, 6 Drawing Sheets



(56)

References Cited

U.S. PATENT DOCUMENTS

D748,875	S	*	2/2016	Roberson	D26/42
D765,923	S	*	9/2016	Roberson	D32/3
D778,009	S	*	1/2017	Roberson	D32/3
D791,418	S	*	7/2017	Warren	D32/3
2003/0205954	A1	*	11/2003	Oyler	A47L 15/4265 312/311
2004/0201337	A1	*	10/2004	Wuestefeld	A47L 15/4265 312/311

* cited by examiner

FIG. 1

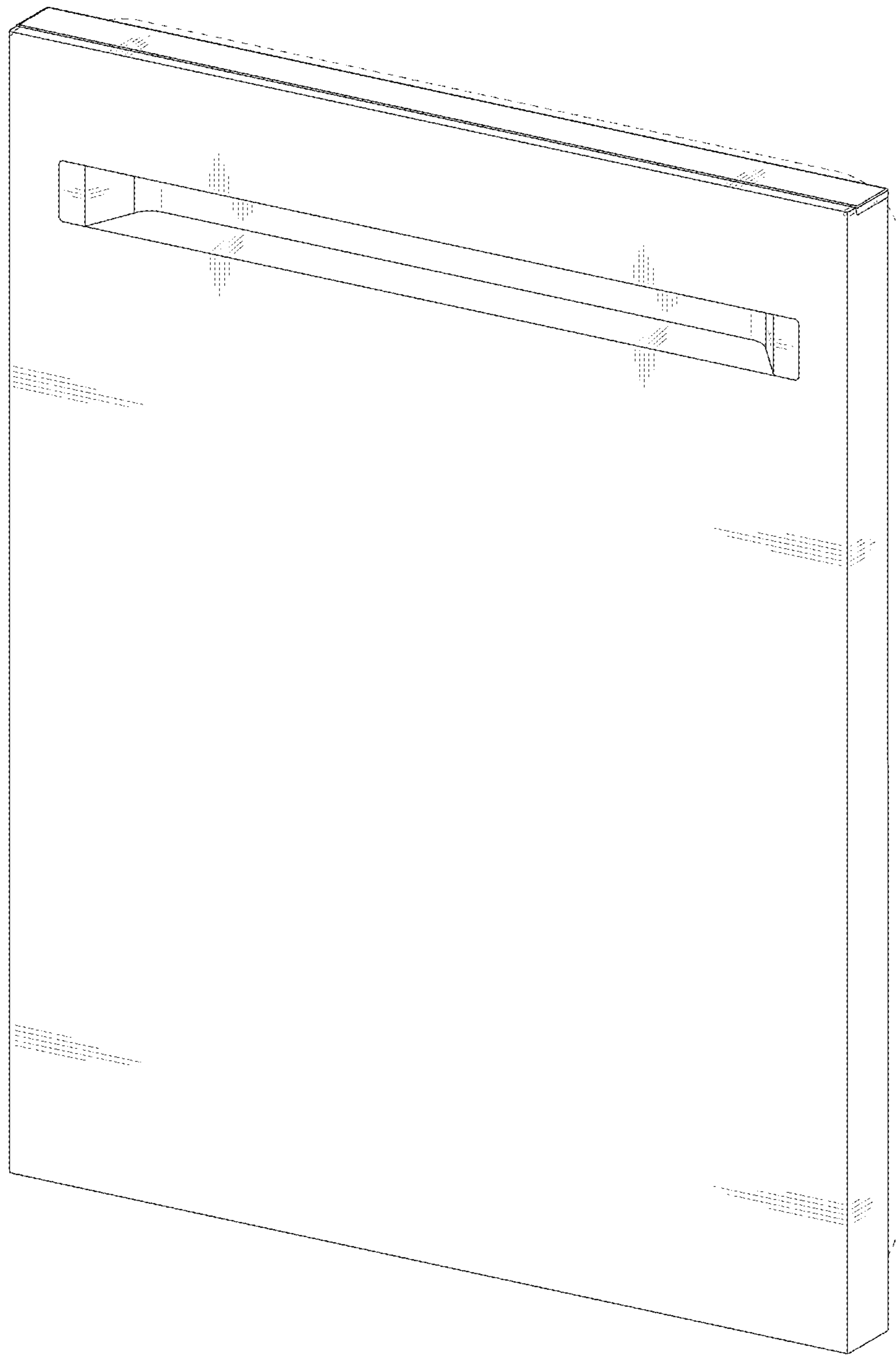


FIG. 2

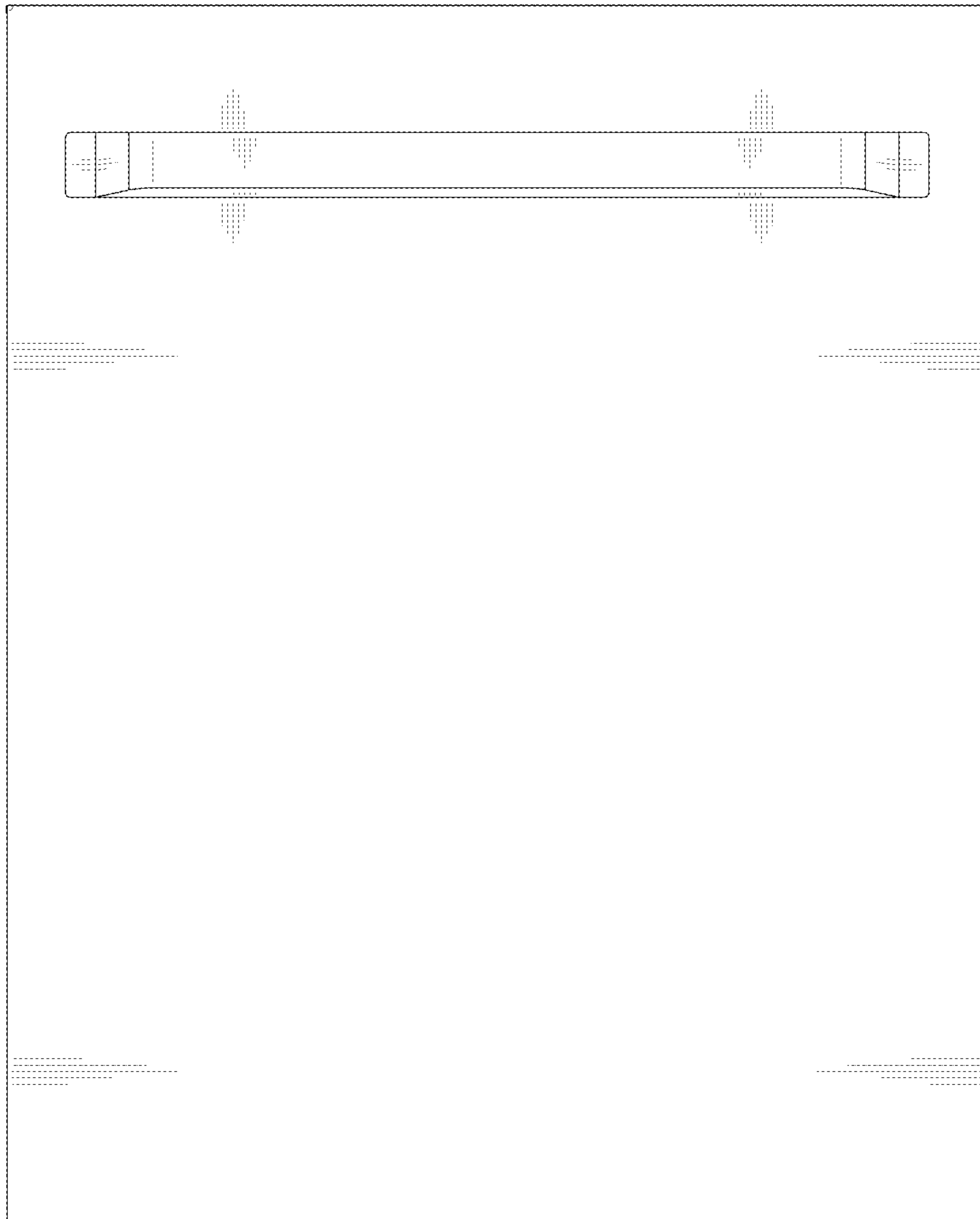


FIG. 3

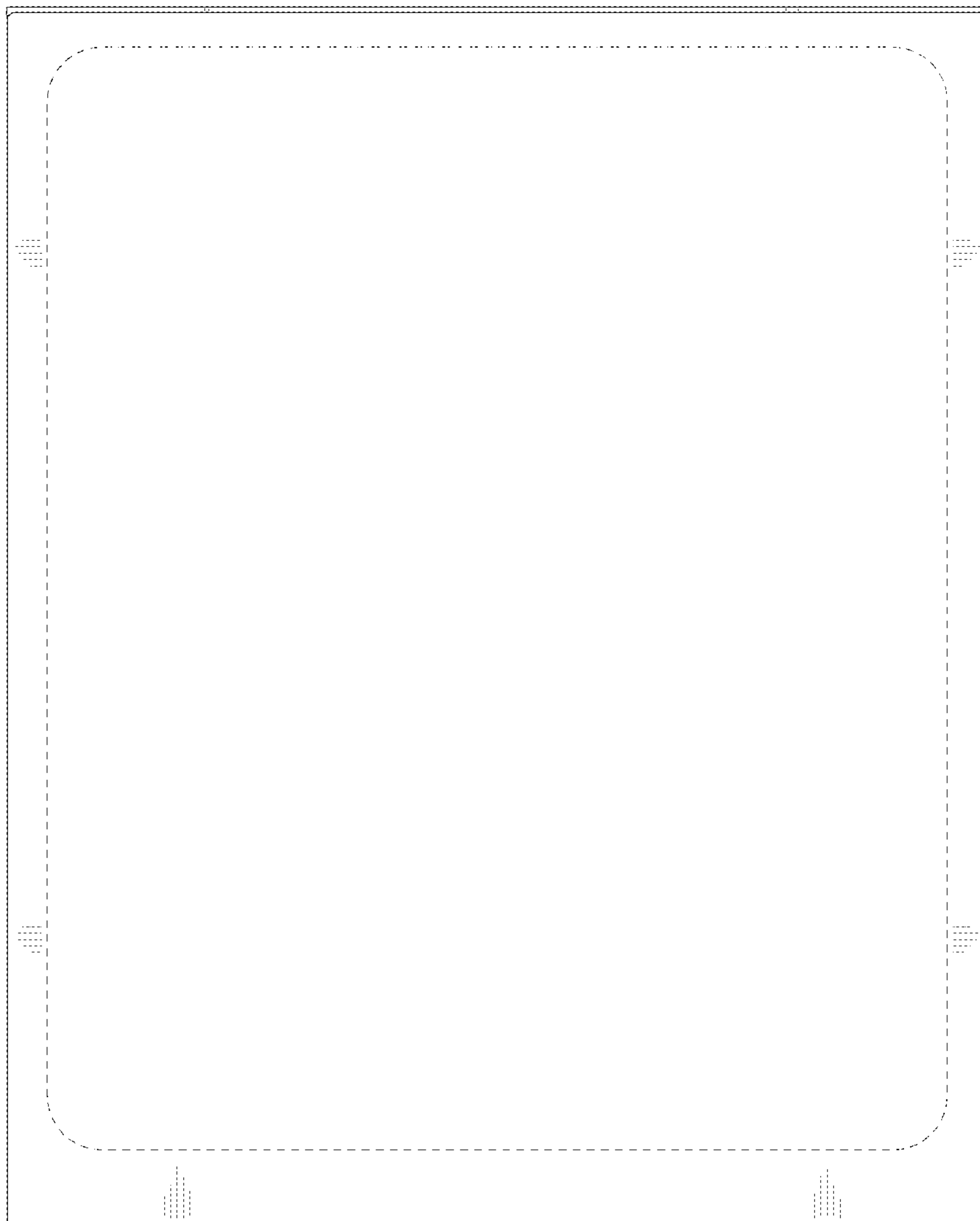


FIG. 4

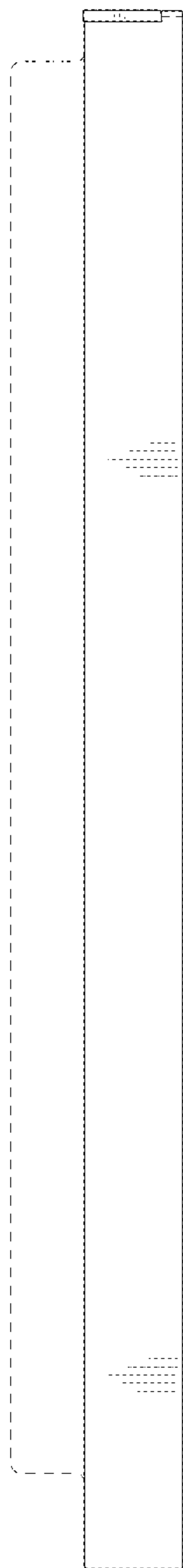


FIG. 5

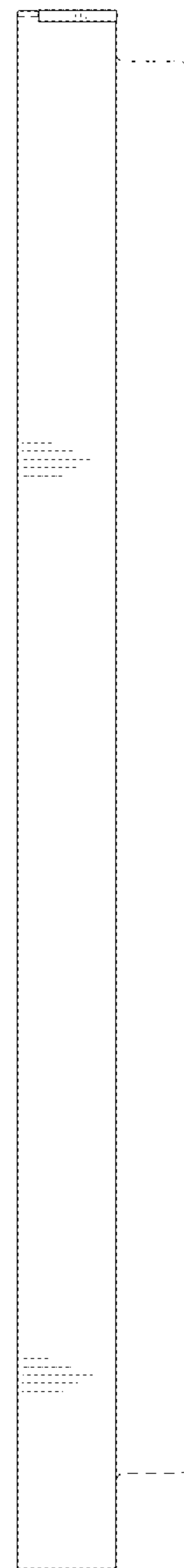


FIG. 6

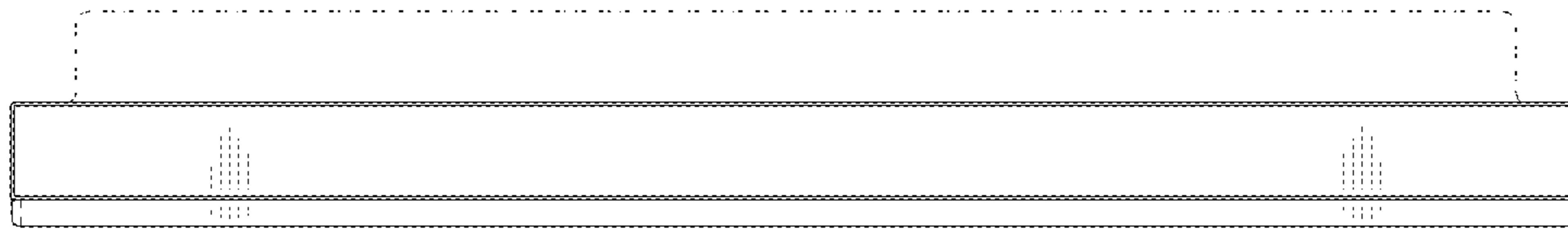


FIG. 7

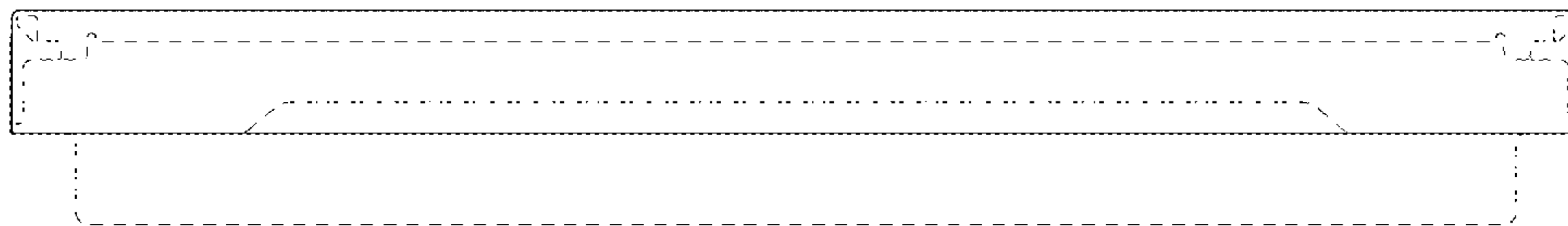


FIG. 8

