



US00D827950S

(12) **United States Design Patent**  
**Miyawaki et al.**

(10) **Patent No.:** **US D827,950 S**  
(45) **Date of Patent:** **\*\* Sep. 4, 2018**

(54) **FUTON DRYER**

D340,326 S \* 10/1993 Genovese ..... D32/15  
D343,473 S \* 1/1994 de Vasselot ..... D28/12  
5,282,322 A \* 2/1994 Kasuya ..... F26B 9/006  
126/624

(71) Applicant: **IRIS OHYAMA INC.**, Sendai-shi,  
Miyagi (JP)

(Continued)

(72) Inventors: **Masayuki Miyawaki**, Kakuda (JP);  
**Takahide Sato**, Kakuda (JP)

FOREIGN PATENT DOCUMENTS

(73) Assignee: **IRIS OHYAMA INC.**, Sendai-shi (JP)

JP 1540072 S 12/2015

(\*\*) Term: **15 Years**

OTHER PUBLICATIONS

(21) Appl. No.: **29/615,684**

An Office Action; "Notice of Allowance", issued by the Japanese Patent Office on Dec. 6, 2017, which corresponds to Japanese Design Application No. 2017-004648; with English language Concise Explanation.

(22) Filed: **Aug. 30, 2017**

(Continued)

(30) **Foreign Application Priority Data**

Mar. 7, 2017 (JP) ..... 2017-004648

(51) **LOC (11) Cl.** ..... **15-05**

(52) **U.S. Cl.**  
USPC ..... **D32/1**

(58) **Field of Classification Search**  
USPC ..... D32/1, 15, 6, 8; D28/12; D23/383;  
D10/106.1; D15/144, 199  
CPC ..... A43D 3/1491; F26B 9/006; F26B 21/001;  
D06F 59/06; D06F 58/14  
See application file for complete search history.

Primary Examiner — Michelle E. Wilson

(74) *Attorney, Agent, or Firm* — Studebaker & Brackett  
PC

(57) **CLAIM**

The ornamental design for a futon dryer, as shown and described.

**DESCRIPTION**

FIG. 1 is a front, top and right-side perspective view of a futon dryer showing our new design in a hose-bent mode; FIG. 2 is a front view thereof; FIG. 3 is a rear view thereof; FIG. 4 is a top view thereof; FIG. 5 is a bottom view thereof; FIG. 6 is a right-side view thereof; FIG. 7 is a left-side view thereof; FIG. 8 is a rear, top and right-side perspective view thereof; and, FIG. 9 is a front, top and right-side perspective view of the futon dryer in a hose-straight mode. The broken lines shown represent unclaimed subject matter of the futon dryer and form no part of the claimed design.

(56) **References Cited**

U.S. PATENT DOCUMENTS

D282,396 S \* 1/1986 Weaver ..... D23/383  
D292,630 S \* 11/1987 Nagai ..... D32/8  
D294,741 S \* 3/1988 Froidevaux ..... D28/12  
D304,096 S \* 10/1989 Nithardt ..... D28/12  
D305,464 S \* 1/1990 Rickard ..... D28/12  
D312,892 S \* 12/1990 Eberts ..... D28/12  
D314,839 S \* 2/1991 Ho ..... D28/12  
D317,514 S \* 6/1991 Sasso ..... D28/12  
D332,154 S \* 12/1992 Wang ..... D28/12  
5,174,048 A \* 12/1992 Shero ..... F26B 21/001  
34/444

**1 Claim, 8 Drawing Sheets**

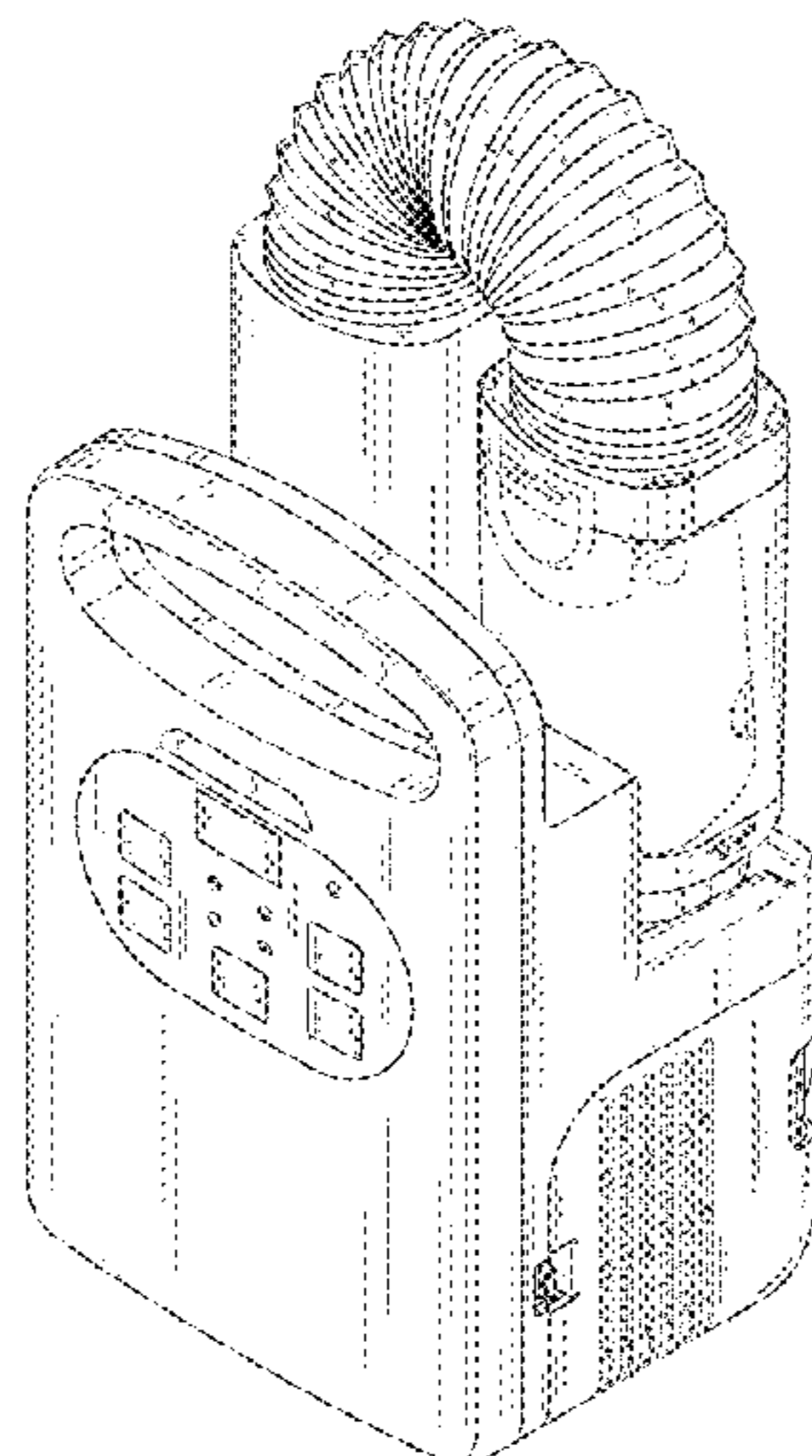




FIG. 1

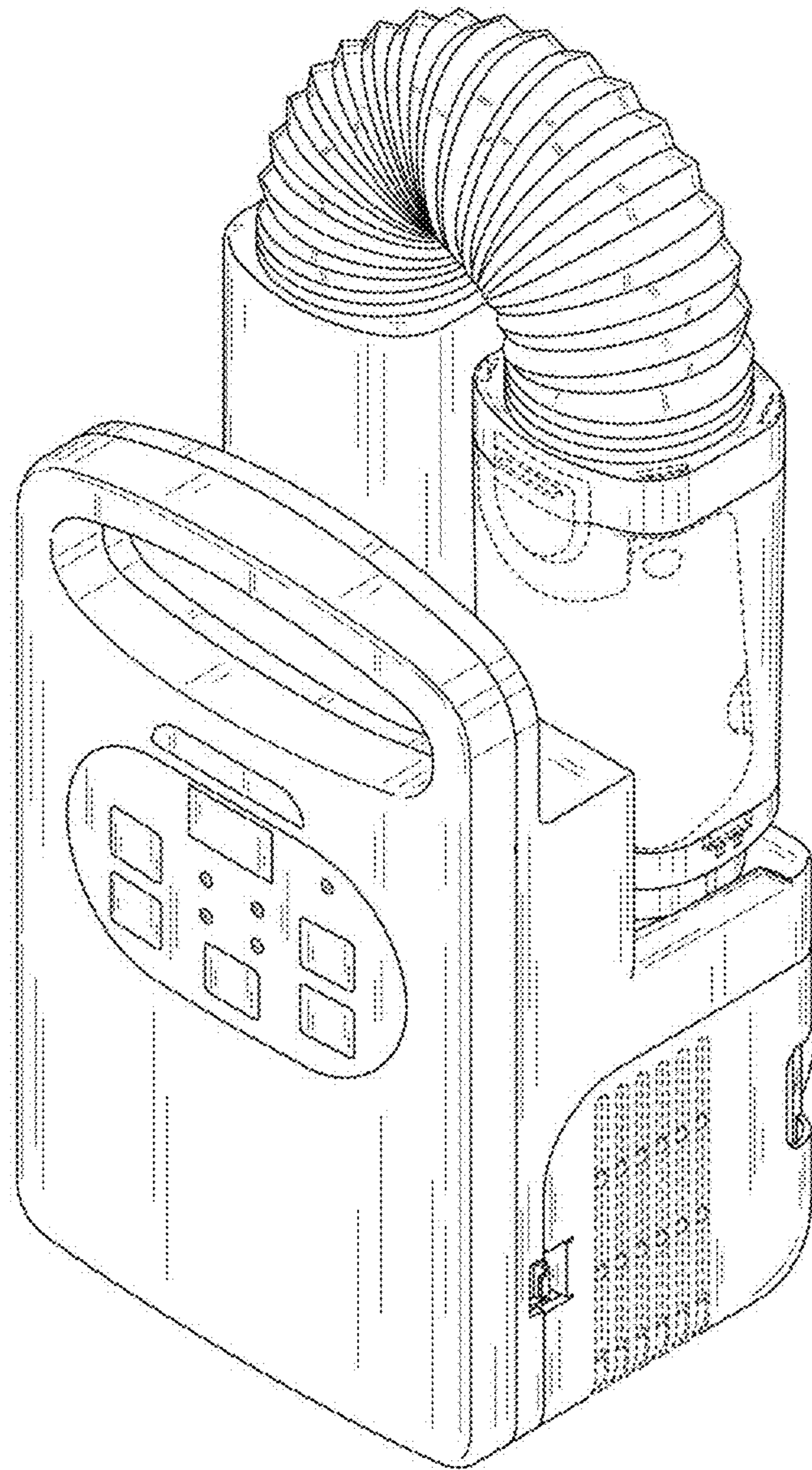


FIG. 2

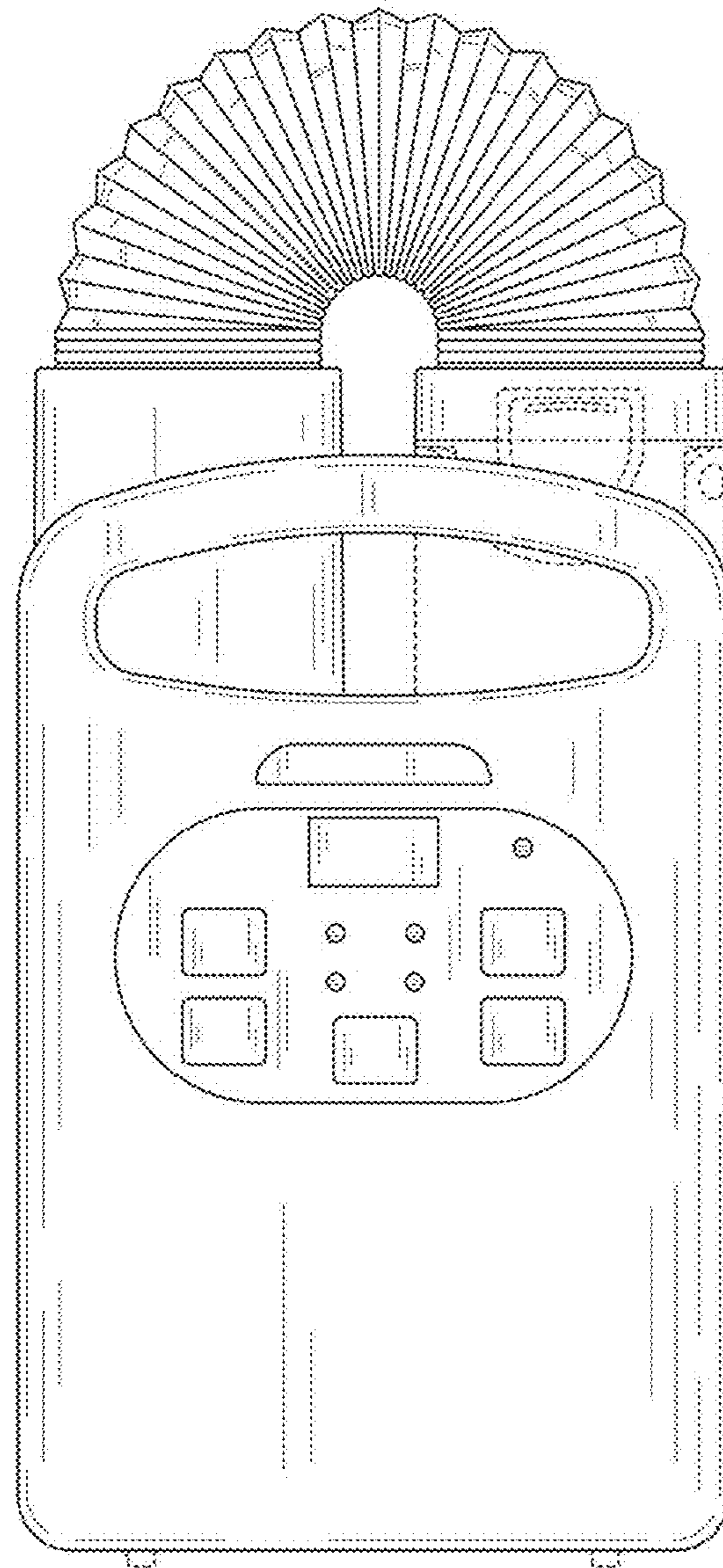
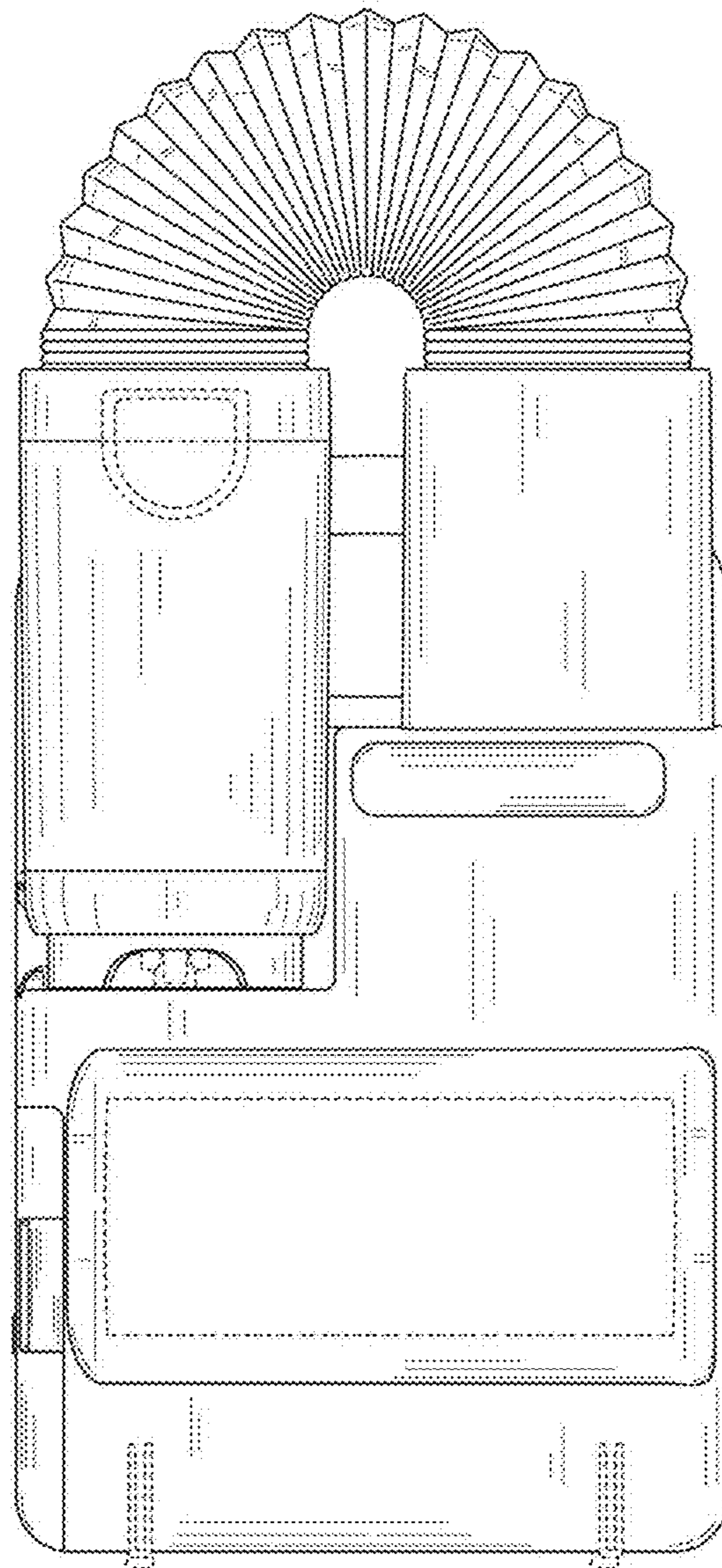
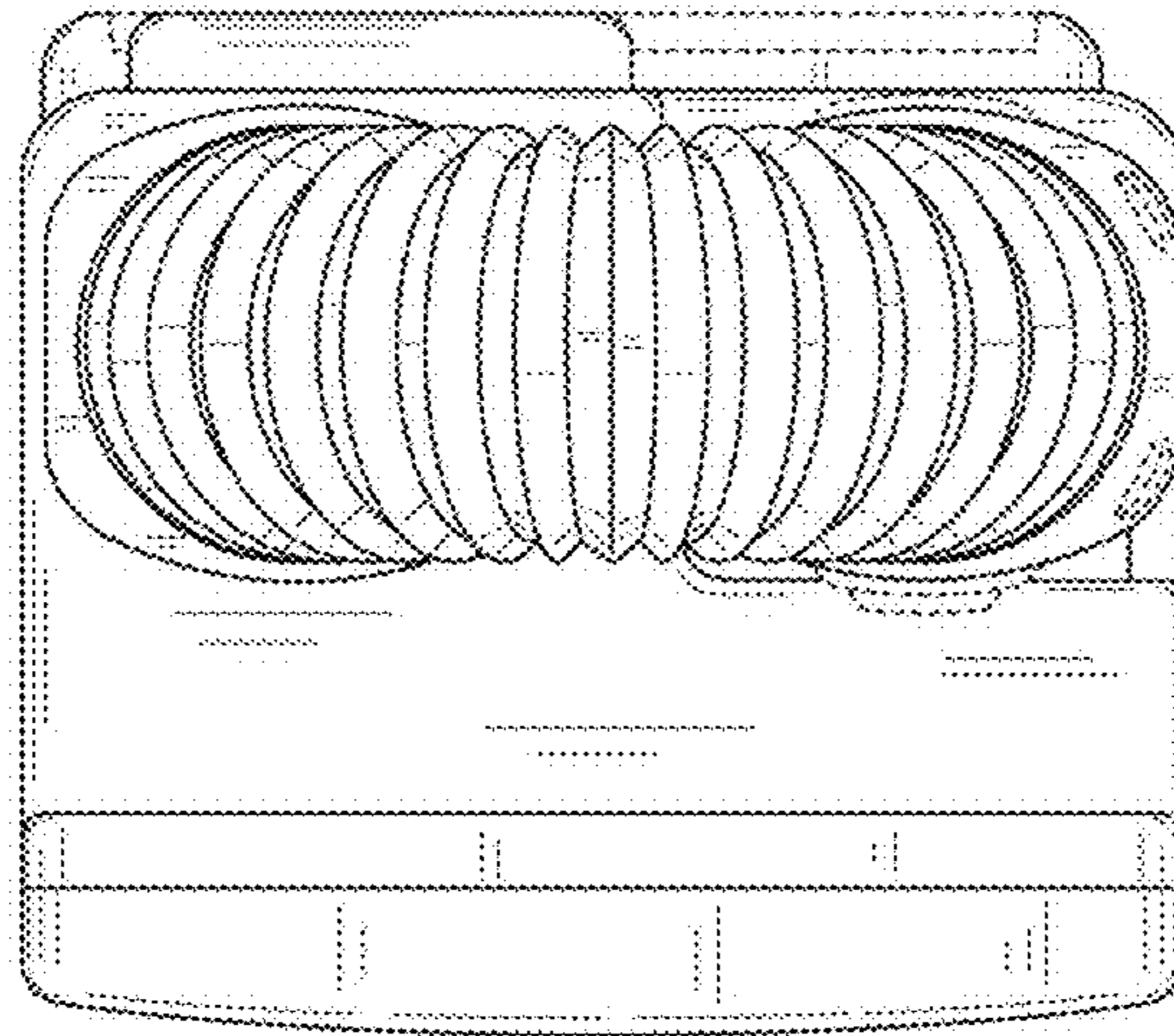


FIG. 3



**FIG. 4**



**FIG. 5**

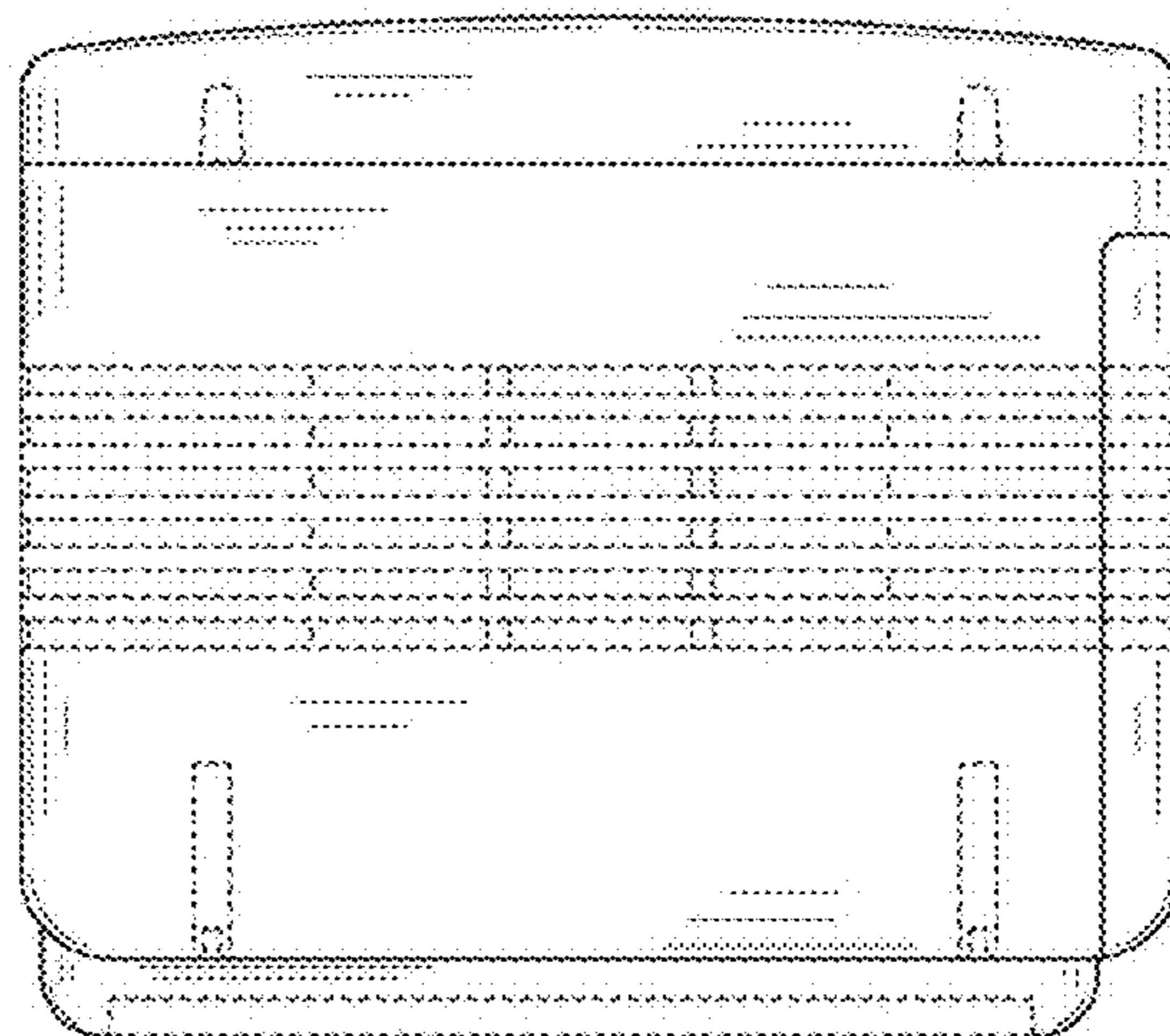


FIG. 6

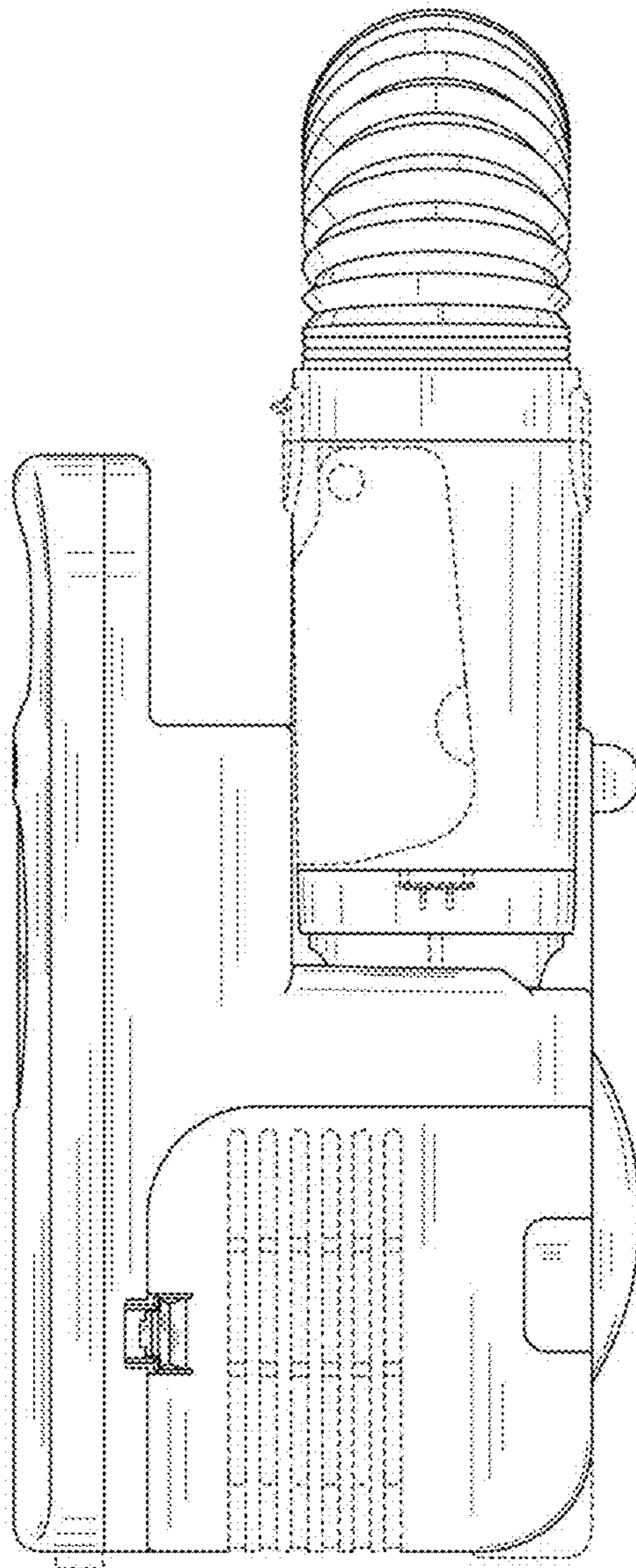


FIG. 7

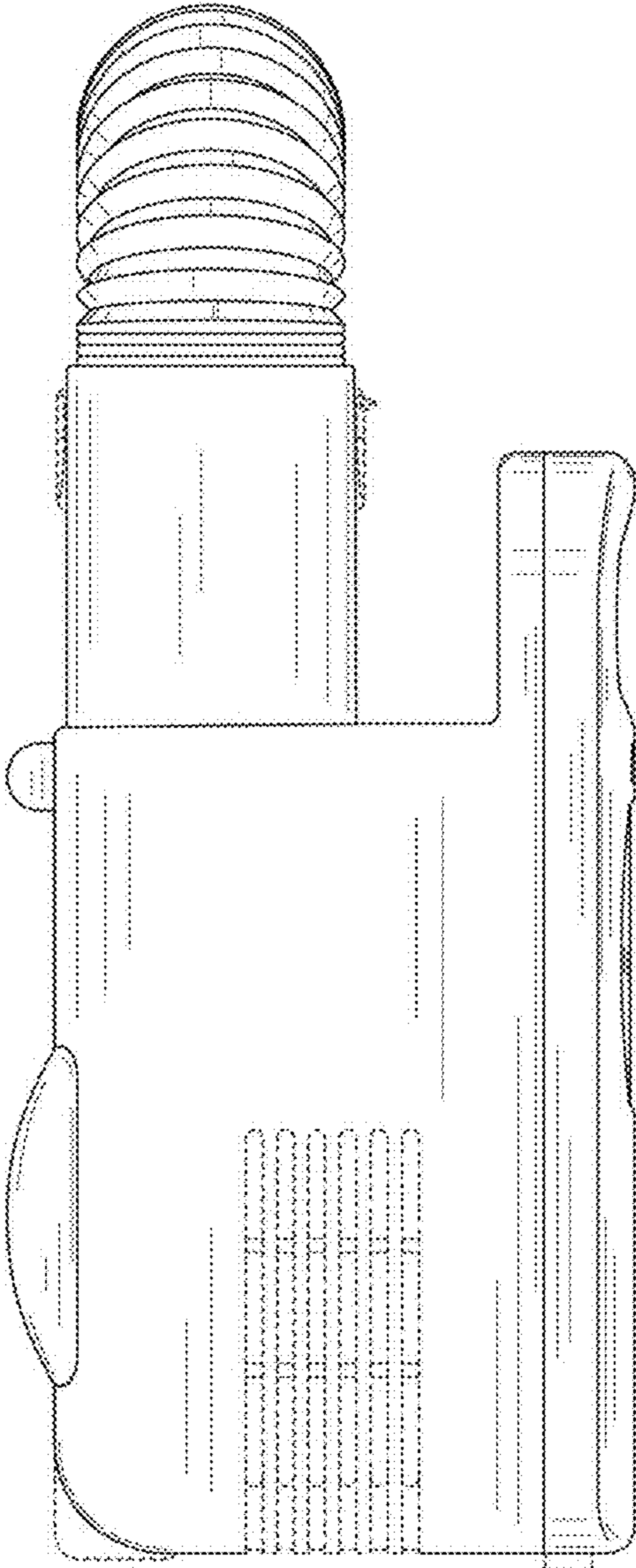




FIG. 8

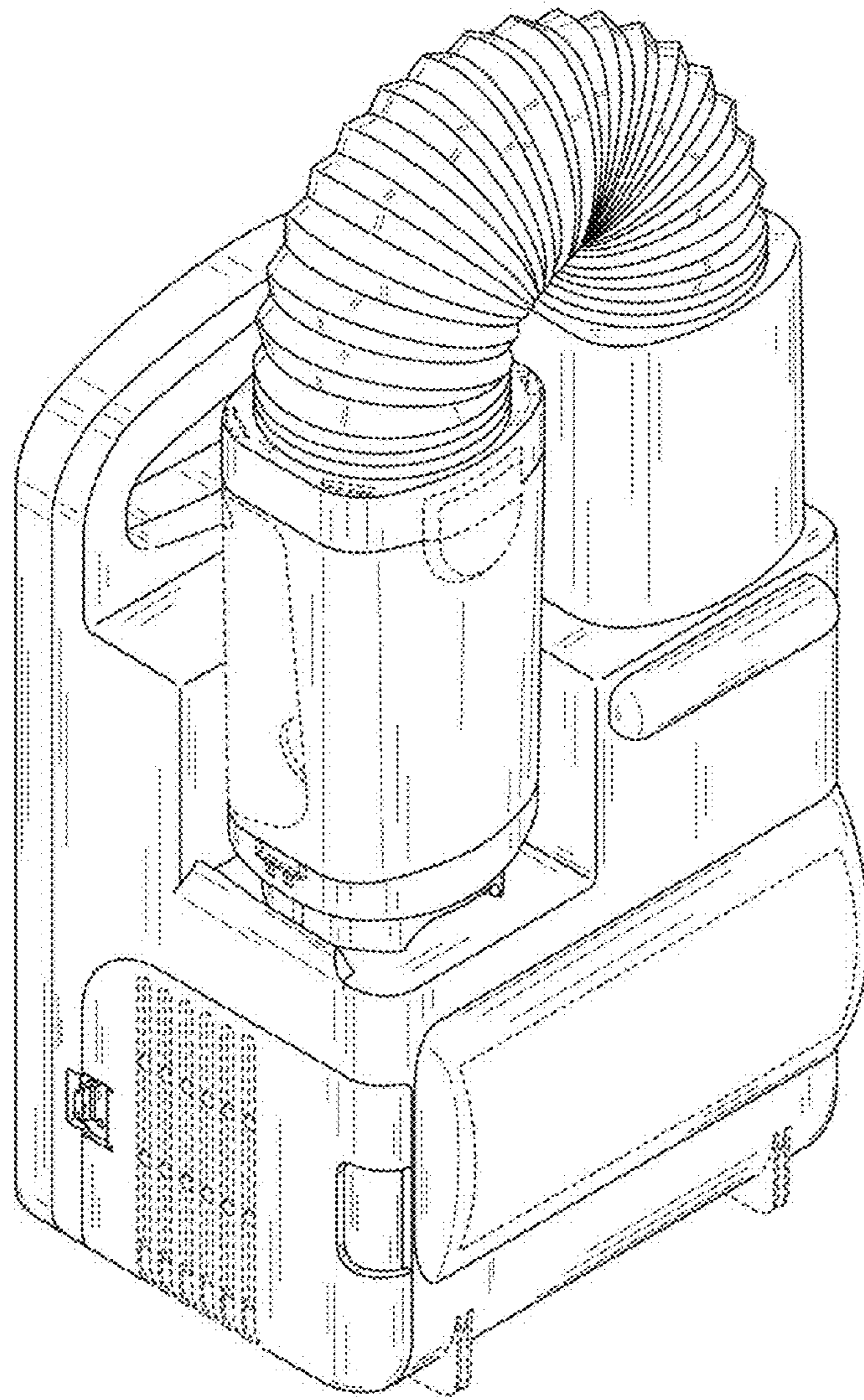


FIG. 9

