

US00D827949S

(12) **United States Design Patent**
Miyawaki et al.

(10) **Patent No.:** **US D827,949 S**

(45) **Date of Patent:** **** Sep. 4, 2018**

- (54) **FUTON DRYER**
- (71) Applicant: **IRIS OHYAMA INC.**, Sendai-shi,
Miyagi (JP)
- (72) Inventors: **Masayuki Miyawaki**, Kakuda (JP);
Takahide Sato, Kakuda (JP)
- (73) Assignee: **IRIS OHYAMA INC.**, Sendai-shi (JP)
- (**) Term: **15 Years**
- (21) Appl. No.: **29/615,670**
- (22) Filed: **Aug. 30, 2017**

- 5,174,048 A * 12/1992 Shero F26B 21/001
34/444
- D340,326 S * 10/1993 Genovese D32/15
- D343,473 S * 1/1994 de Vasselot D28/12
- 5,282,322 A * 2/1994 Kasuya F26B 9/006
126/624
- D345,818 S * 4/1994 Froidevaux D28/12
- D347,708 S * 6/1994 Wang D28/12
- D353,018 S * 11/1994 Froidevaux D28/12
- D359,823 S * 6/1995 Buchness D32/15
- D360,500 S * 7/1995 Millet D32/5
- D360,716 S * 7/1995 Ertz D32/8
- 5,514,346 A * 5/1996 Fujita A43D 3/1491
239/54
- 5,713,137 A * 2/1998 Fujita D06F 58/14
34/106

(Continued)

(30) **Foreign Application Priority Data**

Mar. 7, 2017 (JP) 2017-004623

- (51) **LOC (11) Cl.** **15-05**
- (52) **U.S. Cl.**
USPC **D32/1**
- (58) **Field of Classification Search**
USPC D32/1, 15, 6, 8; D28/12; D23/383;
D10/106.1; D15/144, 199
CPC A43D 3/1491; F26B 9/006; F26B 21/001;
D06F 59/06; D06F 58/14
See application file for complete search history.

(56) **References Cited**

U.S. PATENT DOCUMENTS

- D282,396 S * 1/1986 Weaver D23/383
- D292,630 S * 11/1987 Nagai D32/8
- D294,741 S * 3/1988 Froidevaux D28/12
- D304,096 S * 10/1989 Nithardt D28/12
- D305,464 S * 1/1990 Rickard D28/12
- D312,892 S * 12/1990 Eberts D28/12
- D314,839 S * 2/1991 Ho D28/12
- D317,514 S * 6/1991 Sasso D28/12
- D332,154 S * 12/1992 Wang D28/12

Primary Examiner — Michelle E. Wilson

(74) *Attorney, Agent, or Firm* — Studebaker & Brackett
PC

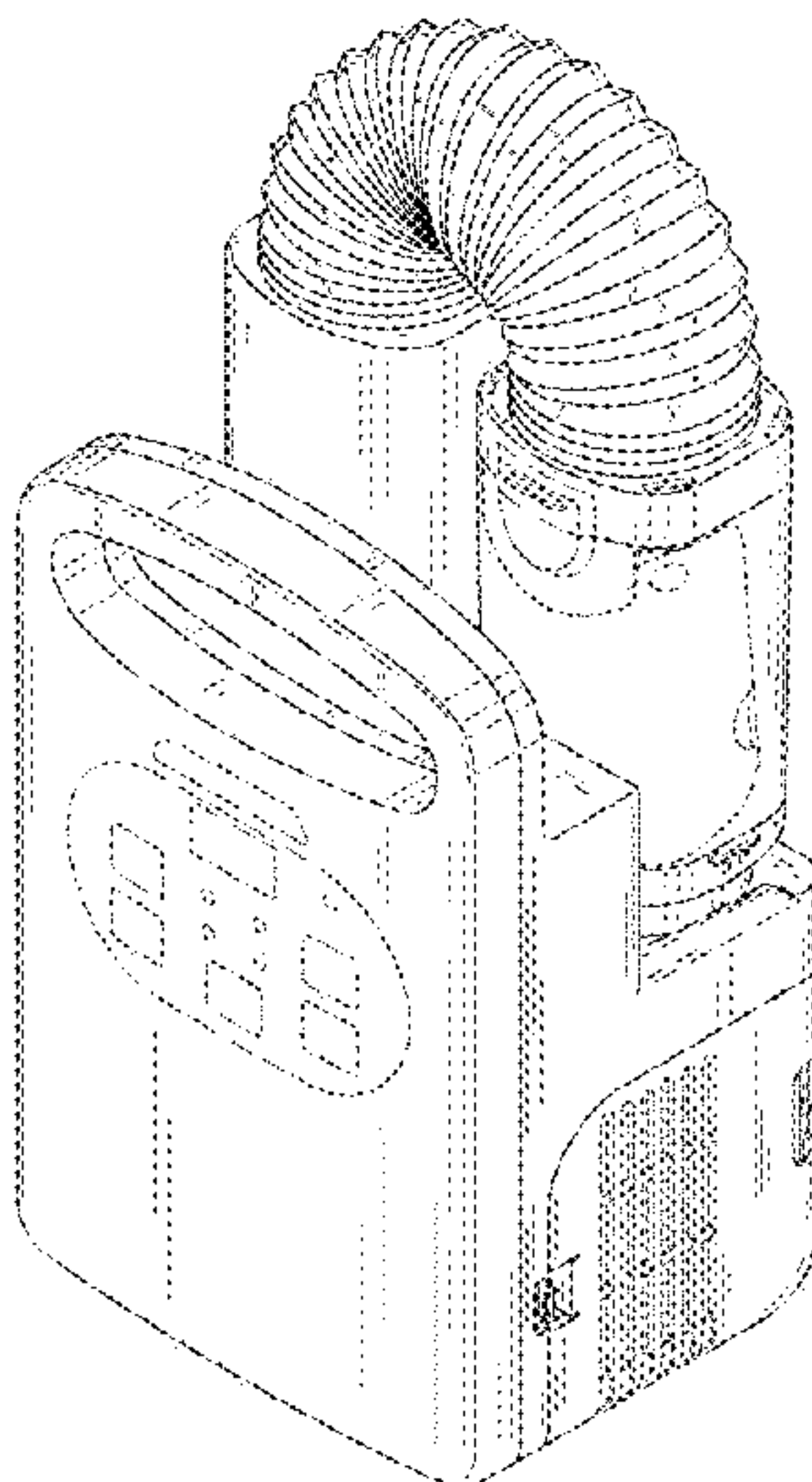
(57) **CLAIM**

The ornamental design for a futon dryer, as shown and described.

DESCRIPTION

FIG. 1 is a front, top and right-side perspective view of a futon dryer showing our new design in a bent-mode;
 FIG. 2 is a front view thereof;
 FIG. 3 is a rear view thereof;
 FIG. 4 is a top view thereof;
 FIG. 5 is a bottom view thereof;
 FIG. 6 is a right-side view thereof;
 FIG. 7 is a left-side view thereof;
 FIG. 8 is a rear, top and right-side perspective view thereof;
 and,
 FIG. 9 is a front, top and right-side perspective view of the futon dryer in a hose-straight mode.
 The broken lines shown represent unclaimed subject matter of the futon dryer and form no part of the claimed design.

1 Claim, 8 Drawing Sheets



(56)

References Cited

U.S. PATENT DOCUMENTS

6,134,806 A * 10/2000 Dhaemers A43D 3/1491
34/202
D575,464 S * 8/2008 Rossetto D32/8
D583,041 S * 12/2008 Stern D23/383
7,716,849 B1 * 5/2010 Hicks D06F 59/06
211/182
D661,852 S * 6/2012 Song D32/8
D701,659 S * 3/2014 Choi D32/8
D703,887 S * 4/2014 Lee D32/8
D733,981 S * 7/2015 Sechere D32/8
D761,950 S * 7/2016 Kulp D23/383

* cited by examiner

FIG. 1

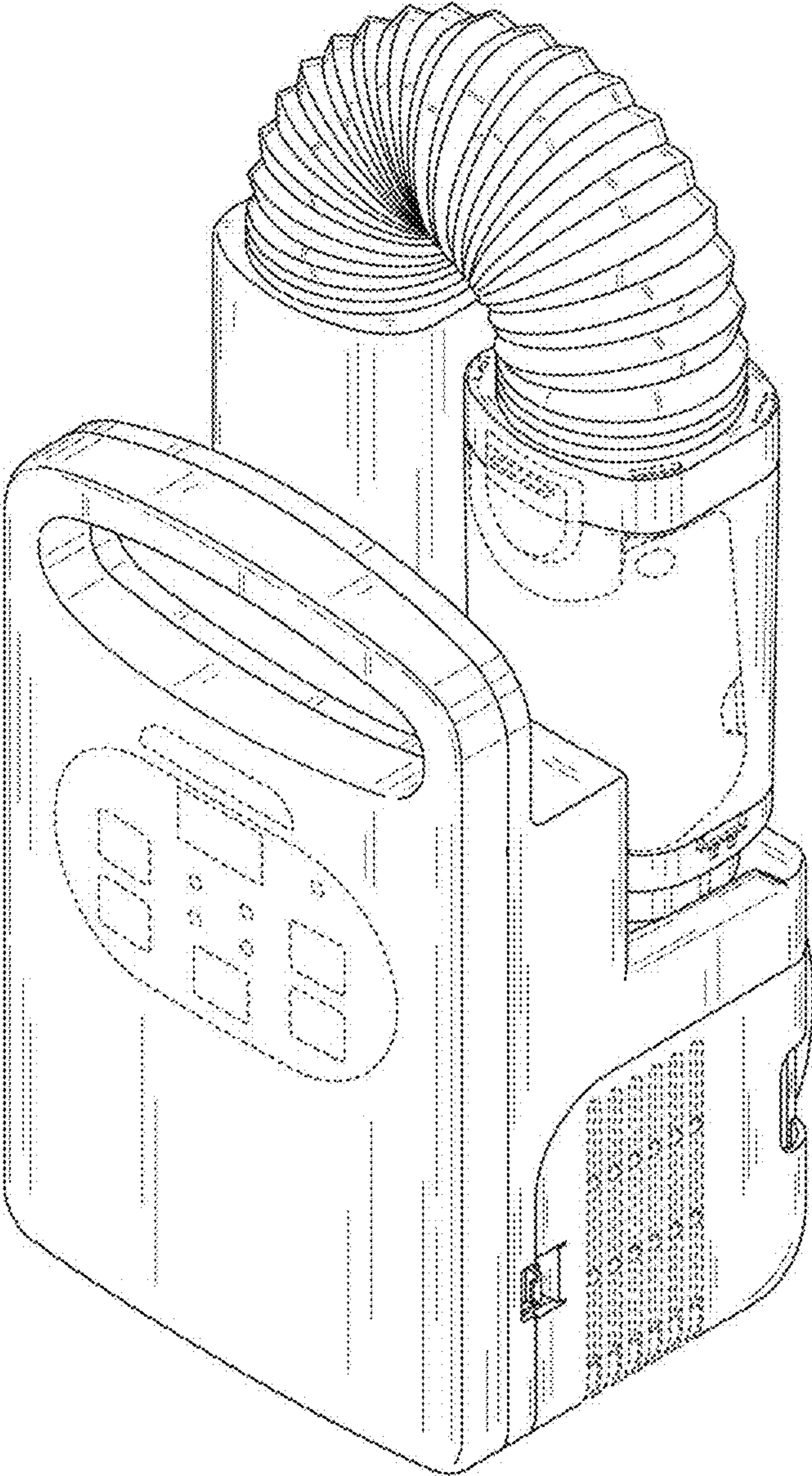


FIG. 2

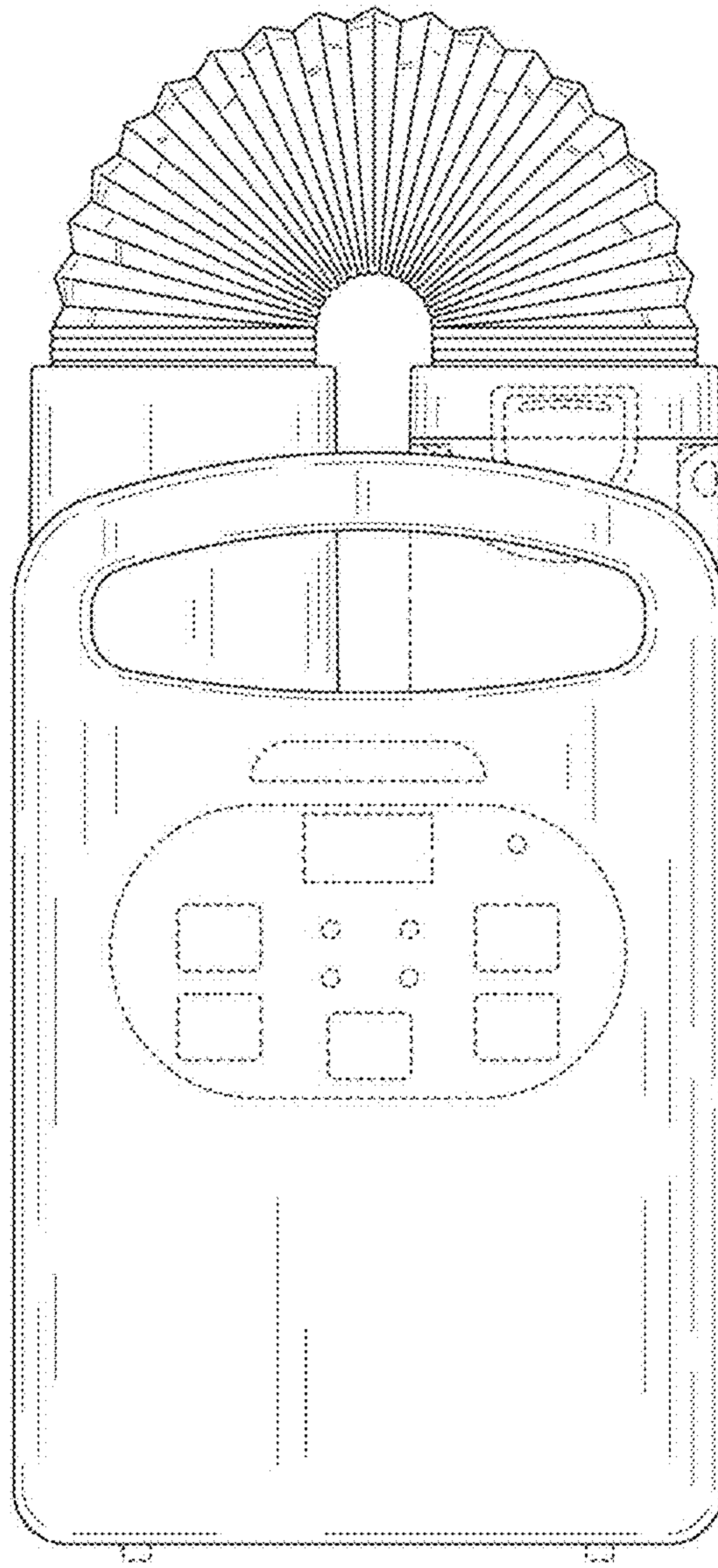


FIG. 3

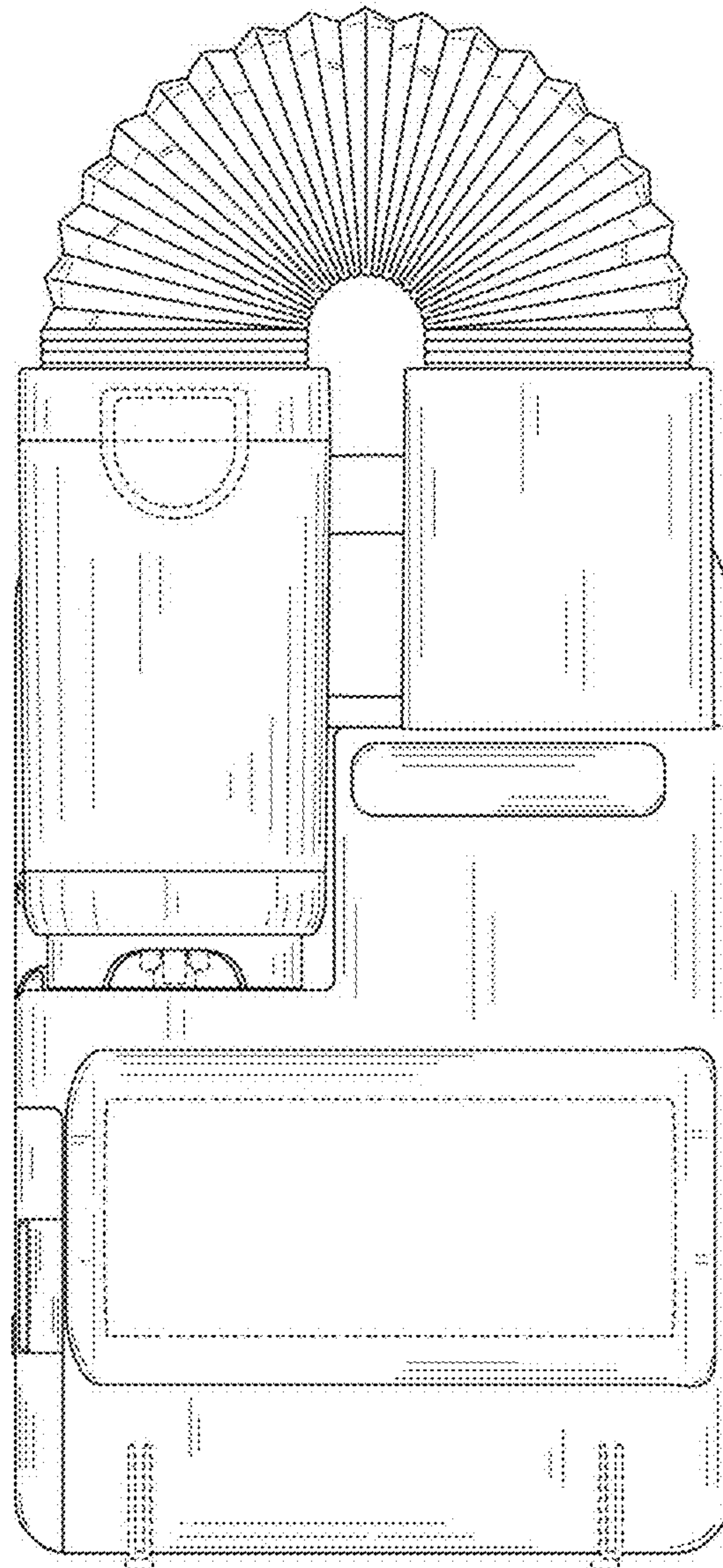


FIG. 4

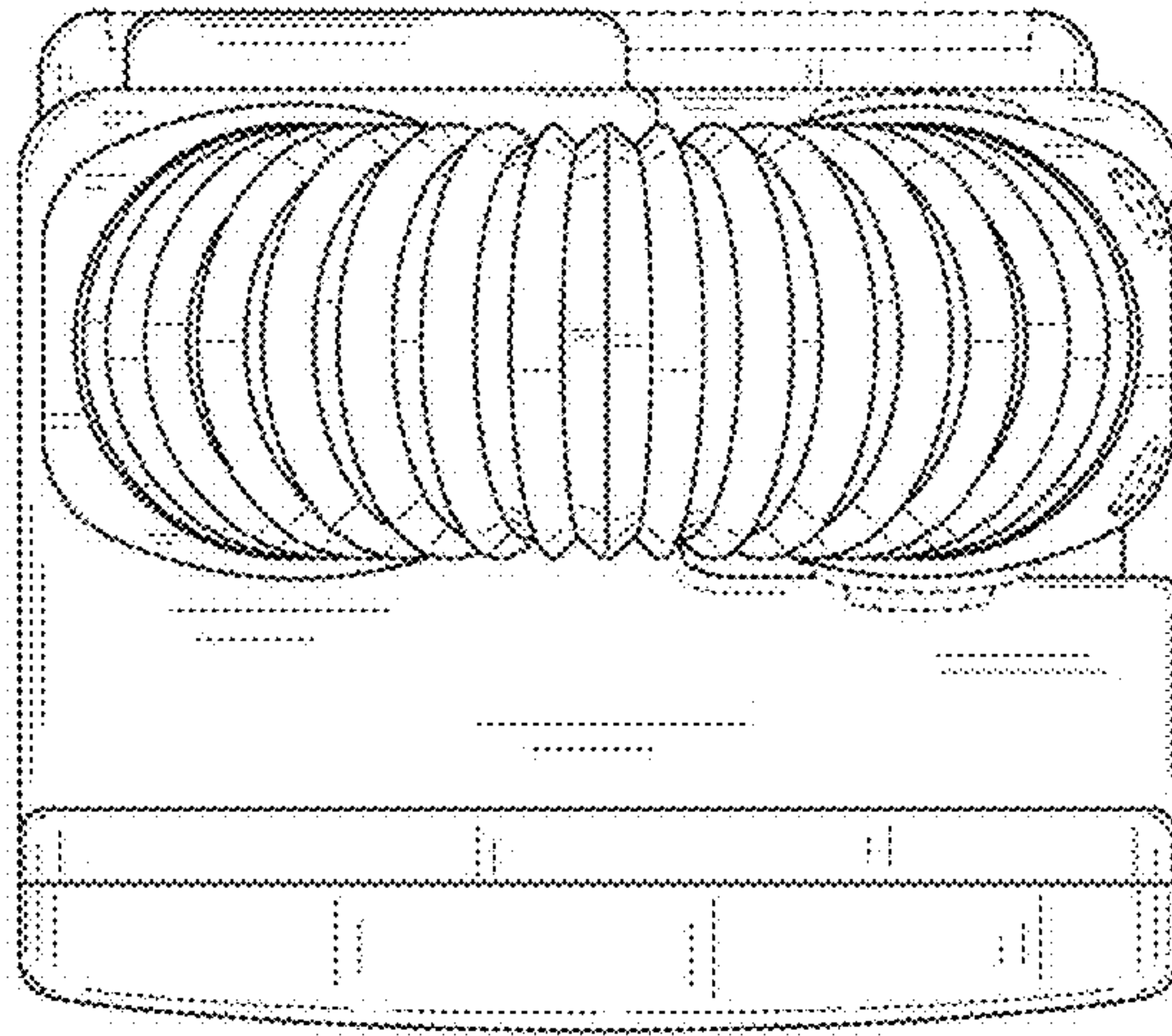


FIG. 5

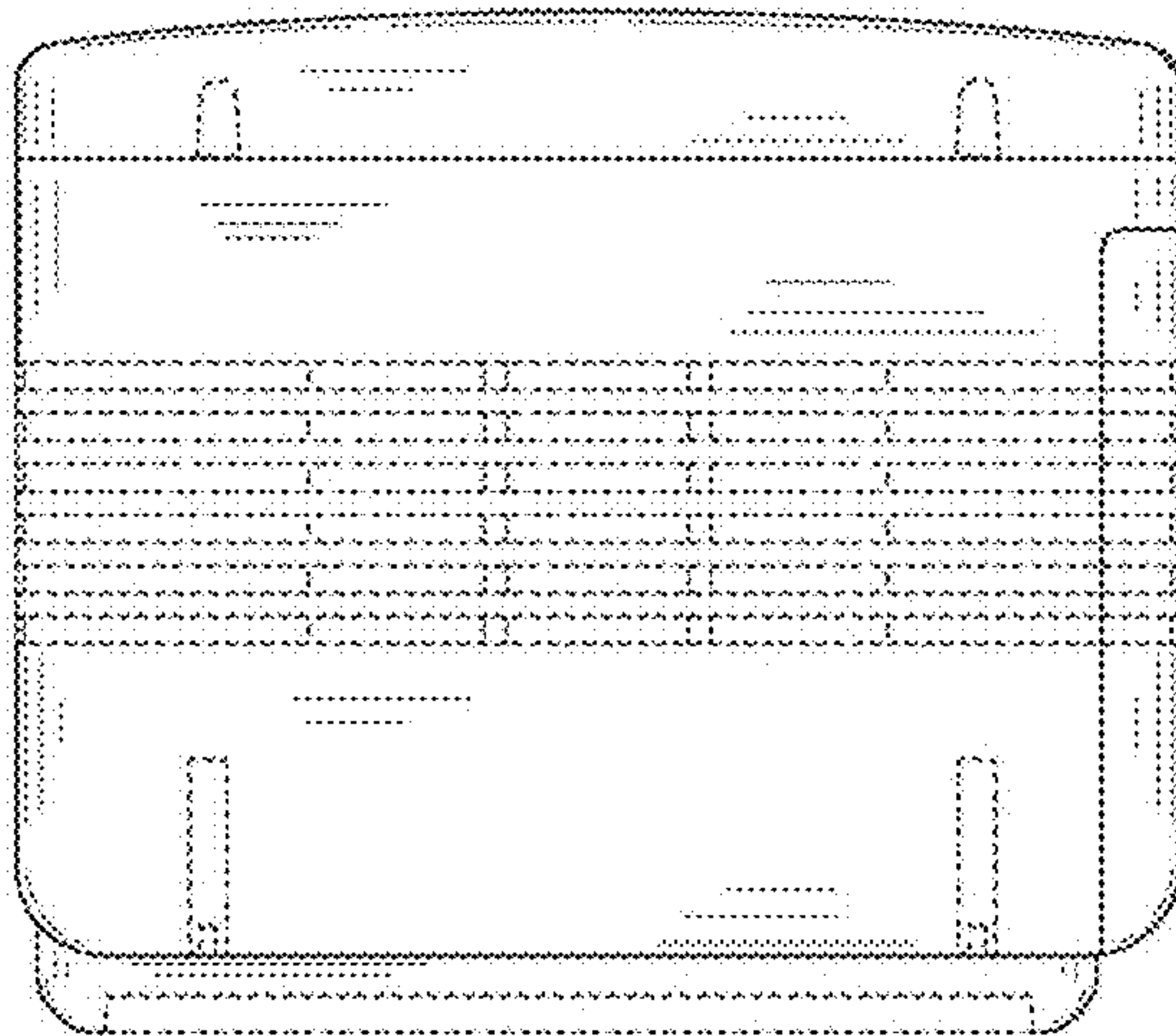


FIG. 6

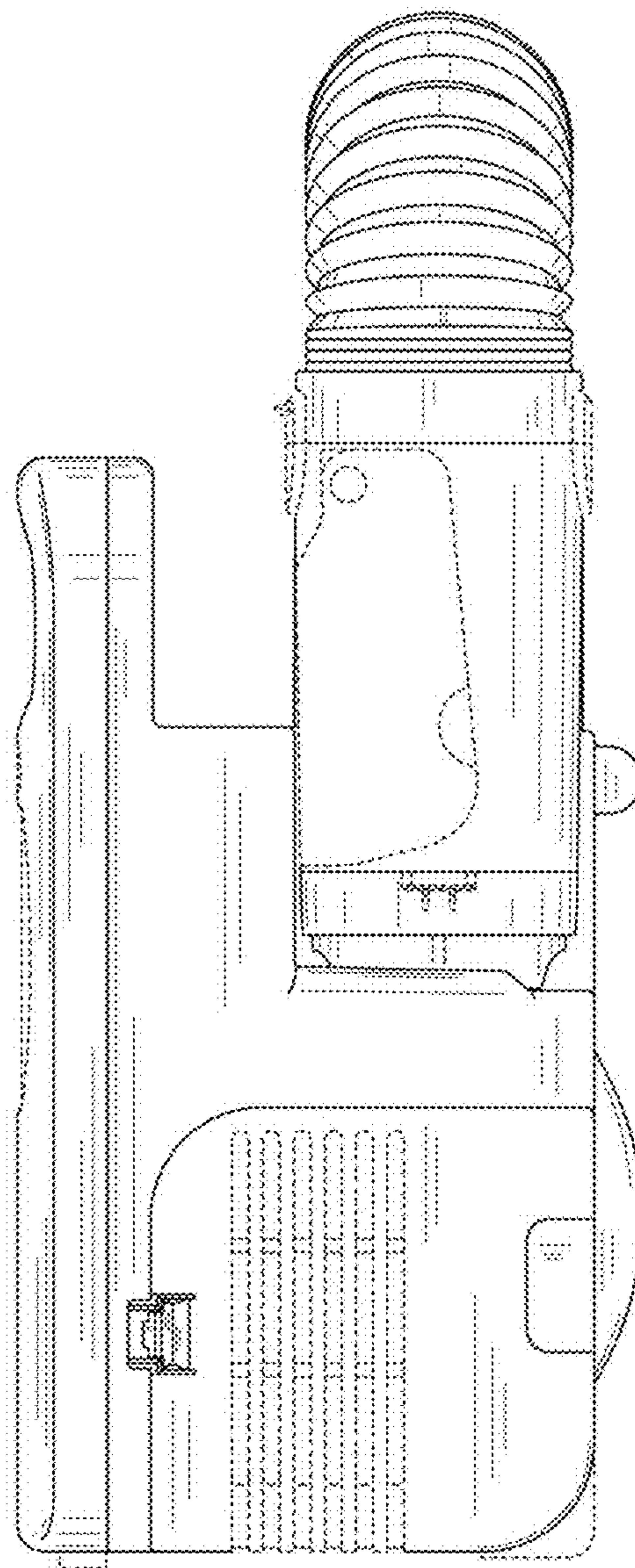


FIG. 7

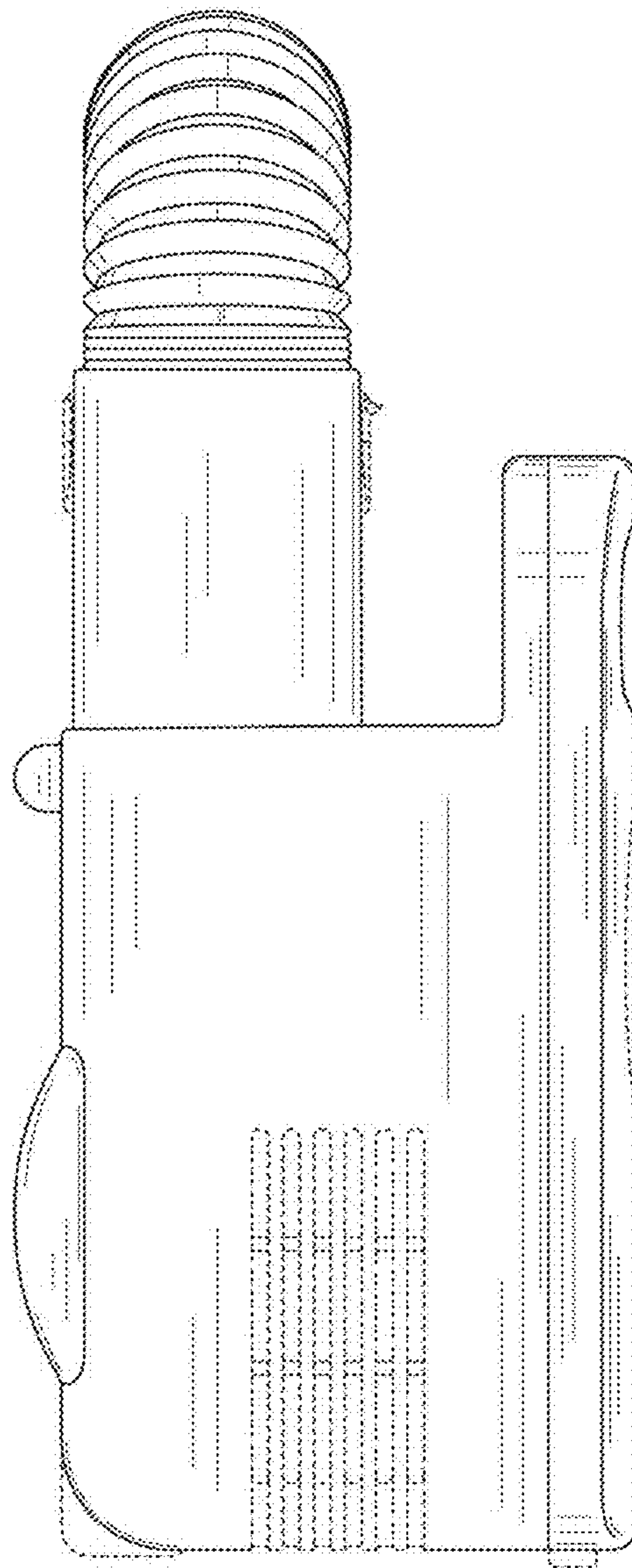


FIG. 8

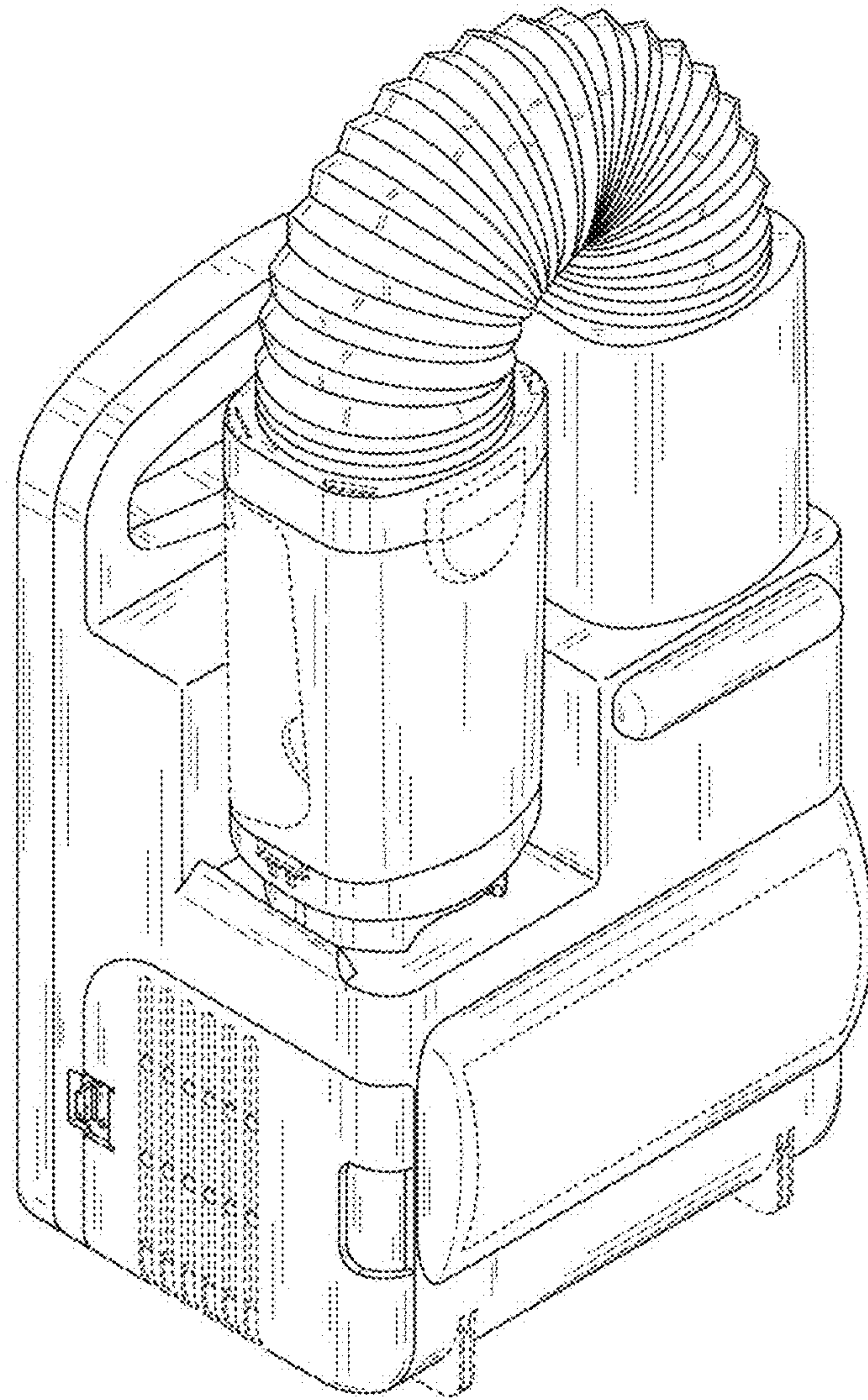


FIG. 9

