



US00D827948S

(12) **United States Design Patent**
Miyawaki et al.

(10) **Patent No.:** **US D827,948 S**

(45) **Date of Patent:** **** Sep. 4, 2018**

(54) **FUTON DRYER**

(71) Applicant: **IRIS OHYAMA INC.**, Sendai-shi,
Miyagi (JP)

(72) Inventors: **Masayuki Miyawaki**, Kakuda (JP);
Takahide Sato, Kakuda (JP)

(73) Assignee: **IRIS OHYAMA INC.**, Sendai-shi (JP)

(**) Term: **15 Years**

(21) Appl. No.: **29/615,662**

(22) Filed: **Aug. 30, 2017**

(30) **Foreign Application Priority Data**

Mar. 7, 2017 (JP) 2017-004624

(51) **LOC (11) Cl.** **15-05**

(52) **U.S. Cl.**
USPC **D32/1**

(58) **Field of Classification Search**

USPC D32/1, 15, 6, 8; D28/12; D23/383;
D10/106.1; D15/144, 199
CPC A43D 3/1491; F26B 9/006; F26B 21/001;
D06F 59/06; D06F 58/14

See application file for complete search history.

(56) **References Cited**

U.S. PATENT DOCUMENTS

D282,396 S * 1/1986 Weaver D23/383
D292,630 S * 11/1987 Nagai D32/8
D294,741 S * 3/1988 Froidevaux D28/12
D304,096 S * 10/1989 Nithardt D28/12
D305,464 S * 1/1990 Rickard D28/12
D312,892 S * 12/1990 Eberts D28/12
D314,839 S * 2/1991 Ho D28/12
D317,514 S * 6/1991 Sasso D28/12
D332,154 S * 12/1992 Wang D28/12
5,174,048 A * 12/1992 Shero F26B 21/001
34/444
D340,326 S * 10/1993 Genovese D32/15

D343,473 S * 1/1994 de Vasselot D28/12
5,282,322 A * 2/1994 Kasuya F26B 9/006
126/624
D345,818 S * 4/1994 Froidevaux D28/12
D347,708 S * 6/1994 Wang D28/12

(Continued)

FOREIGN PATENT DOCUMENTS

JP 1540072 S 12/2015

OTHER PUBLICATIONS

An Office Action; "Notice of Allowance", issued by the Japanese Patent Office dated Dec. 6, 2017, which corresponds to Japanese Design Application No. 2017-004624; with English language Concise Explanation.

(Continued)

Primary Examiner — Michelle E. Wilson

(74) *Attorney, Agent, or Firm* — Stuebaker & Brackett
PC

(57) **CLAIM**

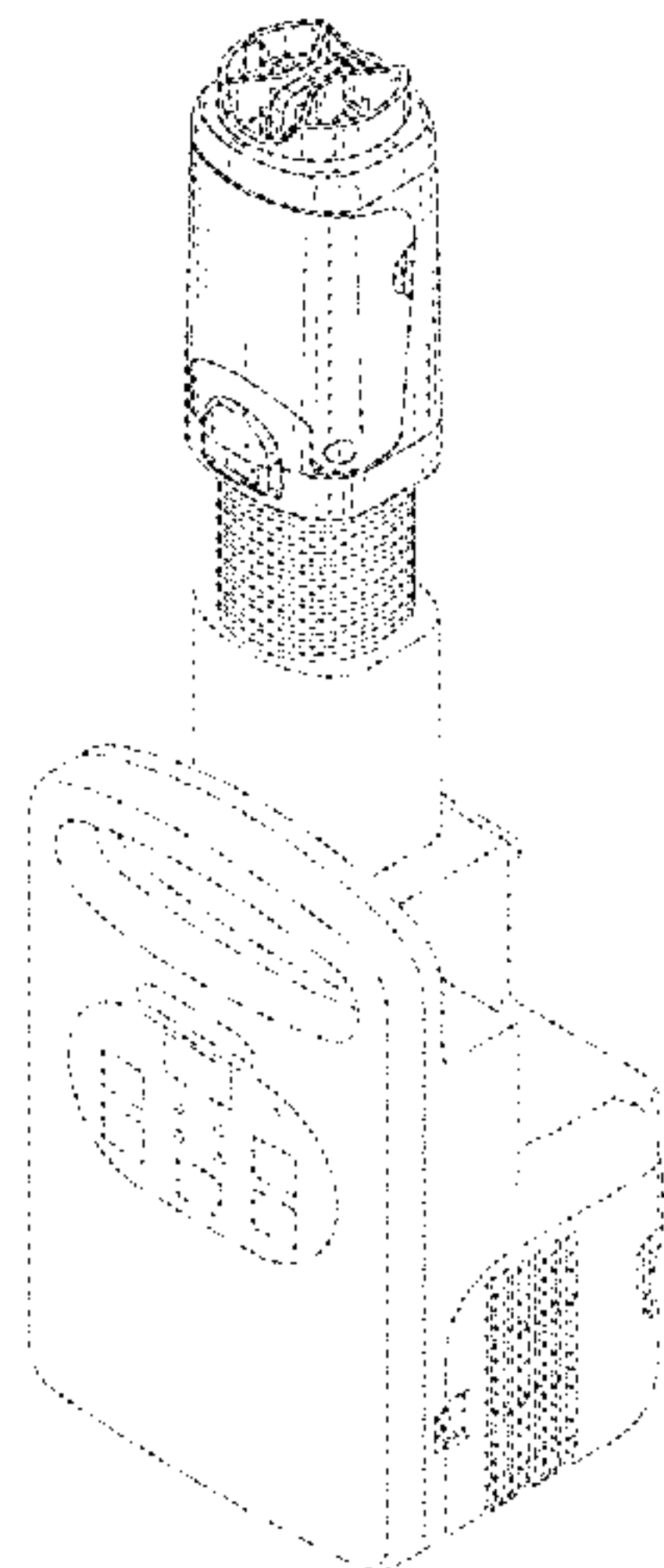
The ornamental design for a futon dryer, as shown and described.

DESCRIPTION

FIG. 1 is a front, top and right-side perspective view of a futon dryer showing our new design;
FIG. 2 is a front view thereof;
FIG. 3 is a rear view thereof;
FIG. 4 is a top view thereof;
FIG. 5 is a bottom view thereof;
FIG. 6 is a right-side view thereof;
FIG. 7 is a left-side view thereof; and,
FIG. 8 is a rear, top and right-side perspective view thereof in a hose-bent mode.

The broken lines shown represent unclaimed subject matter of the futon dryer and form no part of the claimed design.

1 Claim, 7 Drawing Sheets



(56)

References Cited

U.S. PATENT DOCUMENTS

D353,018	S	*	11/1994	Froidevaux	D28/12
D359,823	S	*	6/1995	Buchness	D32/15
D360,500	S	*	7/1995	Millet	D32/5
D360,716	S	*	7/1995	Ertz	D32/8
5,514,346	A	*	5/1996	Fujita	A43D 3/1491
						239/54
5,713,137	A	*	2/1998	Fujita	D06F 58/14
						34/106
6,134,806	A	*	10/2000	Dhaemers	A43D 3/1491
						34/202
D575,464	S	*	8/2008	Rossetto	D32/8
D583,041	S	*	12/2008	Stern	D23/383
7,716,849	B1	*	5/2010	Hicks	D06F 59/06
						211/182
D661,852	S	*	6/2012	Song	D32/8
D701,659	S	*	3/2014	Choi	D32/8
D703,887	S	*	4/2014	Lee	D32/8
D733,981	S	*	7/2015	Sechere	D32/8
D761,950	S	*	7/2016	Kulp	D23/383

OTHER PUBLICATIONS

MONO Magazine No. 9, vol. 43; Apr. 16, 2016; p. 181; (Japan Patent Office Design Patent Department, publicly known reference No. HA27002052).

Iris Ohyama Inc.; publications on website (Japan Patent Office Design Patent Department, publicly known reference No. HJ26063321).

* cited by examiner

FIG. 1

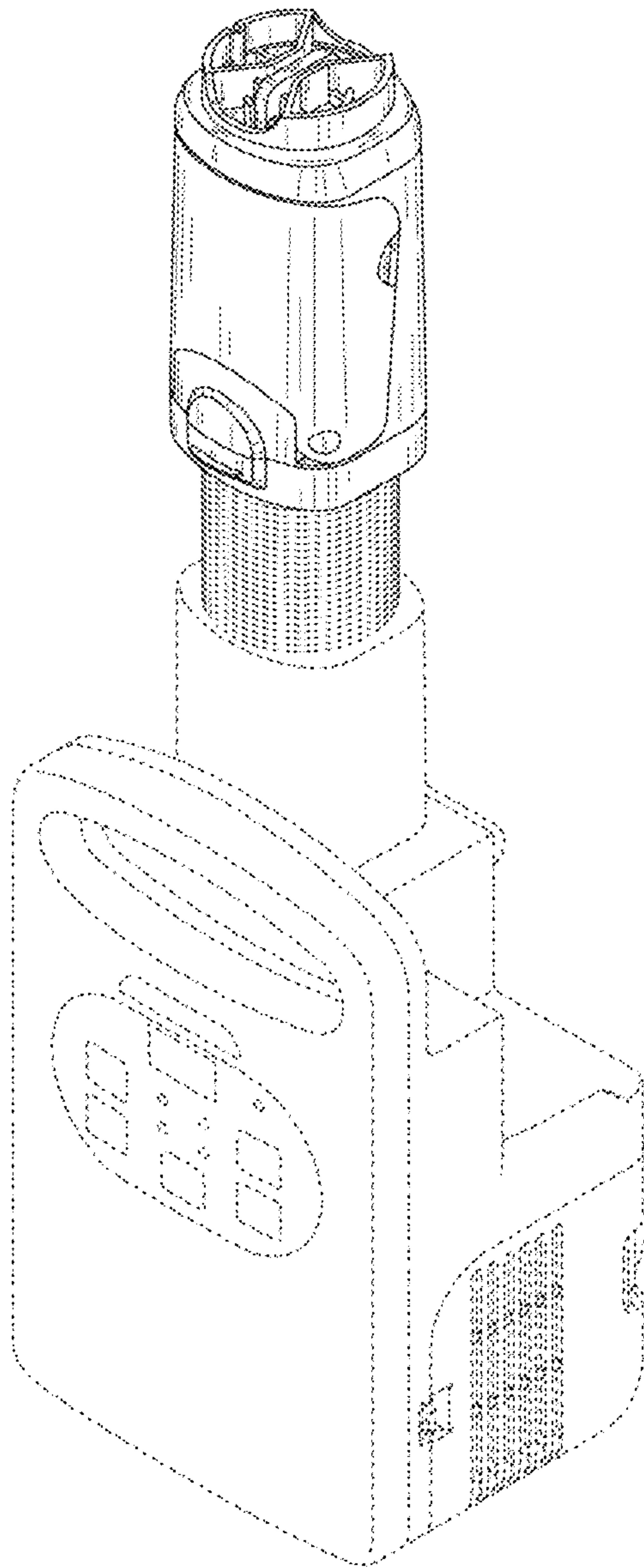


FIG. 2

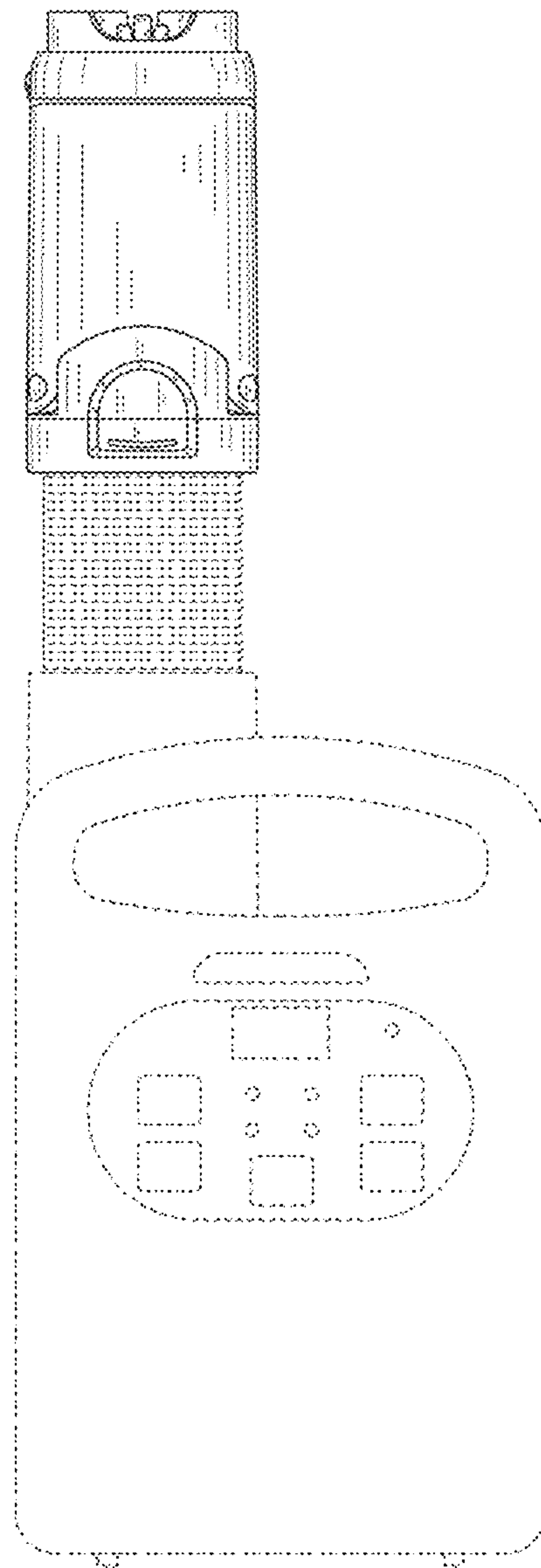


FIG. 3

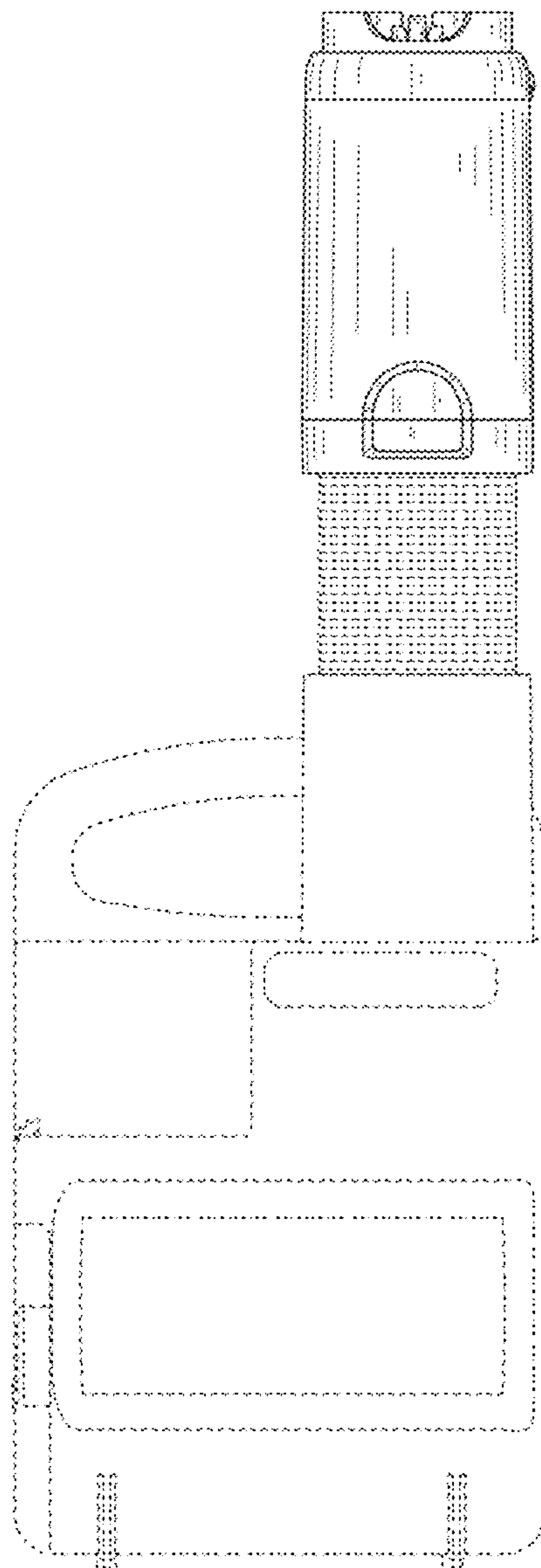


FIG. 4

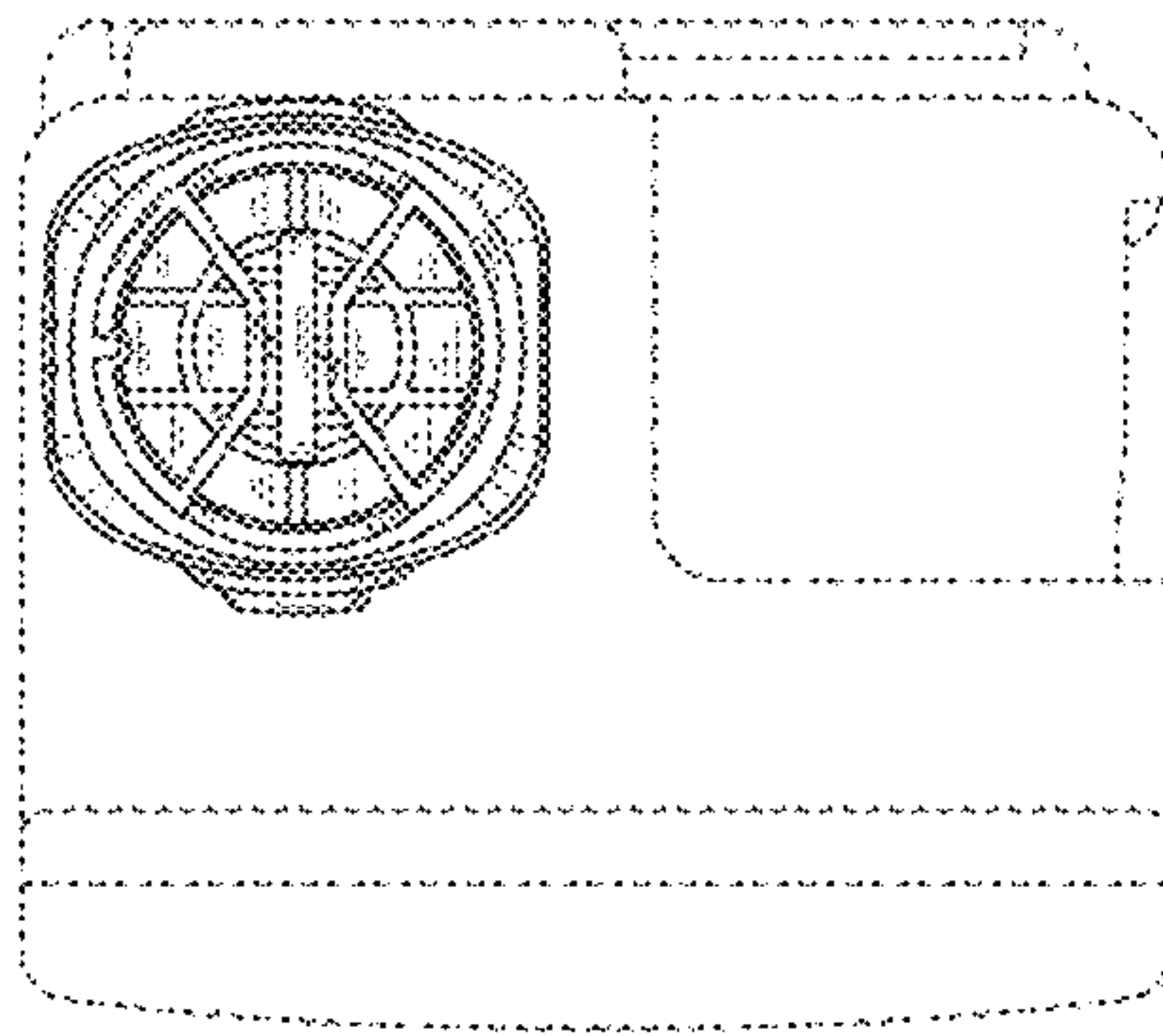


FIG. 5

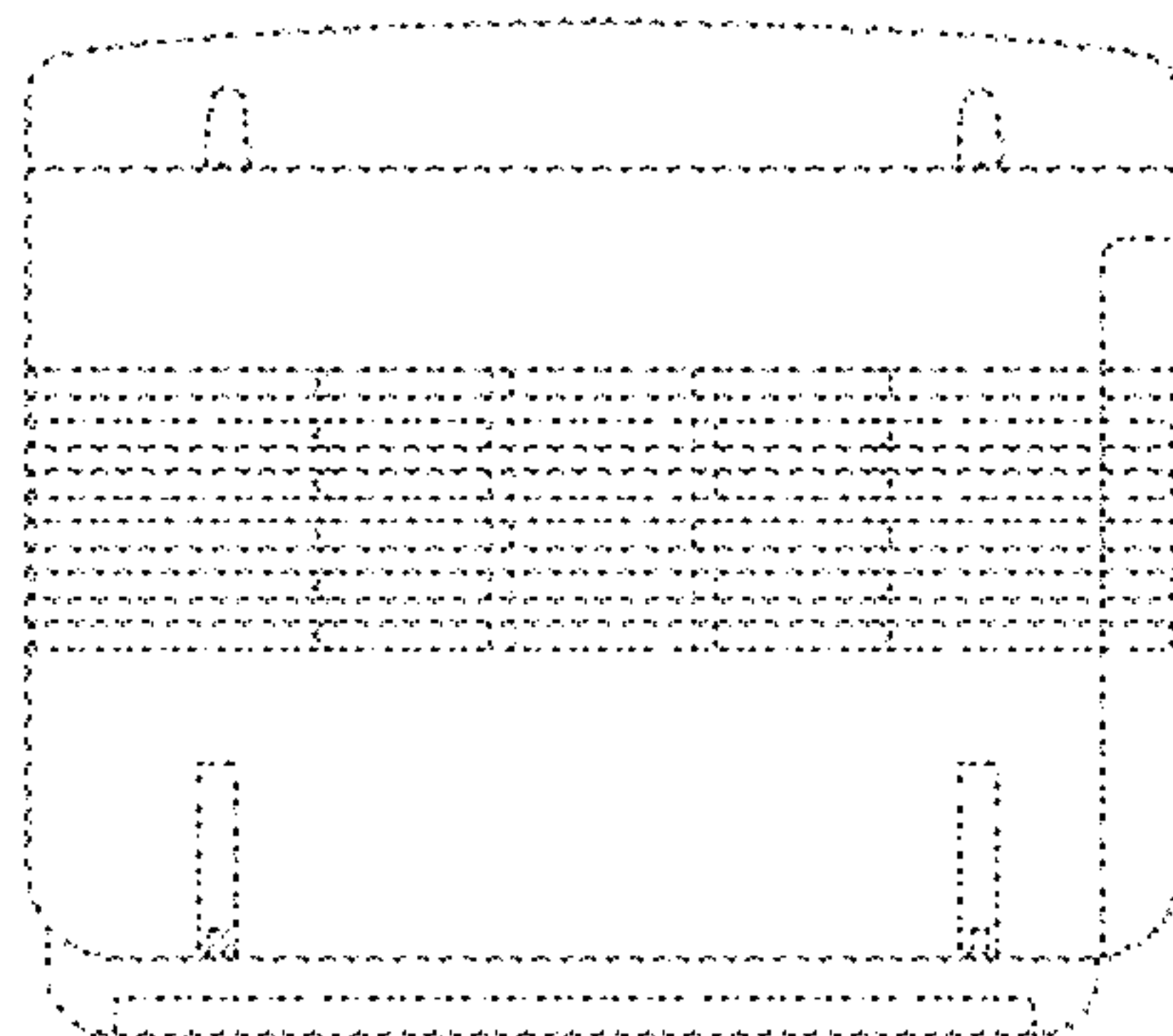


FIG. 6

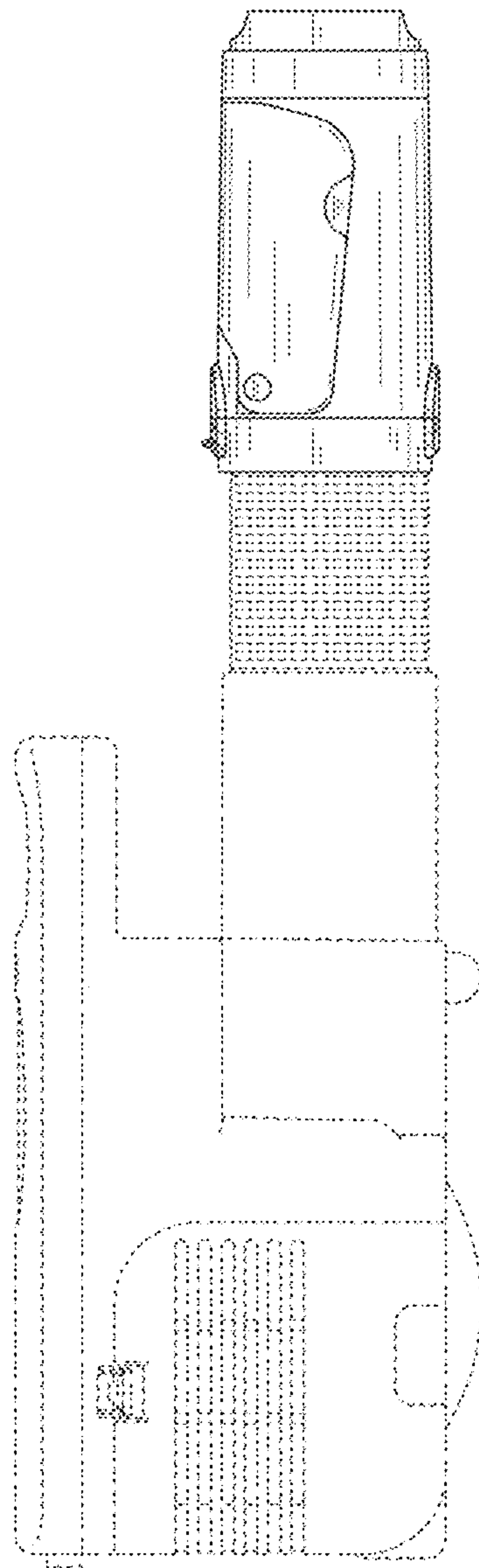


FIG. 7

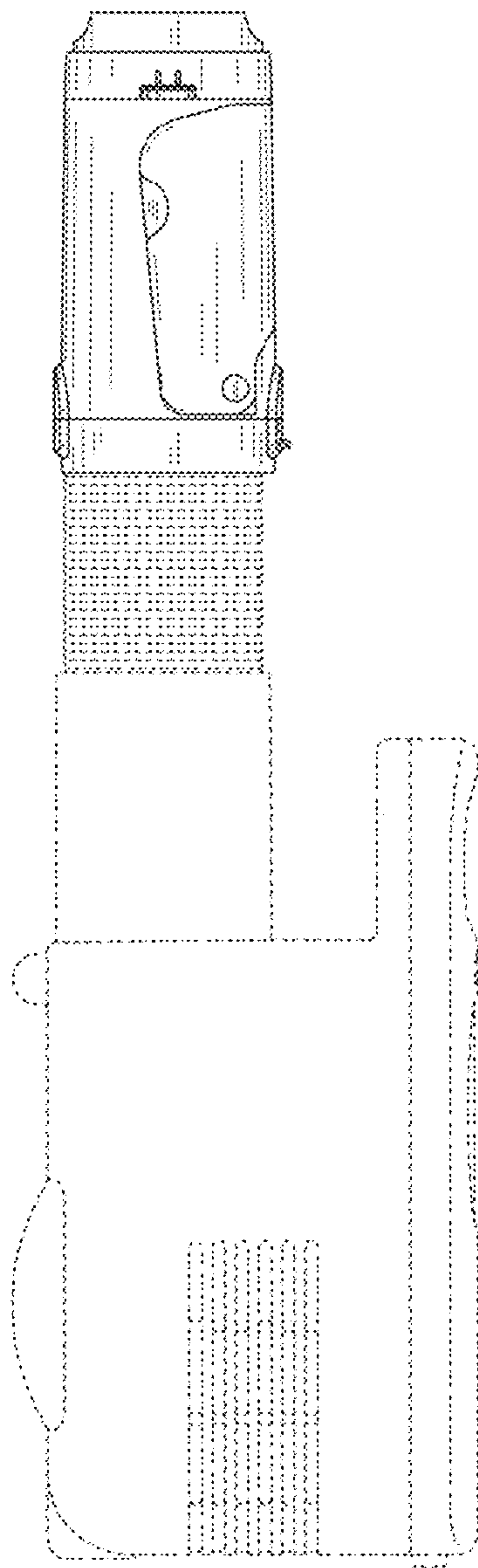


FIG. 8

