



US00D827939S

(12) **United States Design Patent** (10) **Patent No.:** **US D827,939 S**  
**Jakubowski et al.** (45) **Date of Patent:** **\*\* Sep. 4, 2018**

(54) **PET STROLLER**  
(71) Applicant: **Vermont Juvenile Furniture Mfg., Inc.**, West Rutland, VT (US)  
(72) Inventors: **Chris Jakubowski**, Rutland, VT (US);  
**Todd Jakubowski**, Rutland, VT (US);  
**Kristen Jakubowski**, Rutland, VT (US)

D782,370 S \* 3/2017 Pos ..... D12/129  
D789,252 S \* 6/2017 Qiu ..... D12/129  
D789,838 S \* 6/2017 Johar ..... D12/129  
D791,649 S \* 7/2017 Zhou ..... D12/129  
D793,914 S \* 8/2017 Eriksson ..... D12/129  
D795,140 S \* 8/2017 Butler ..... D12/133  
2014/0191483 A1\* 7/2014 Rolicki ..... B62B 7/04  
280/47.41  
2014/0319884 A1\* 10/2014 Doucette ..... B62B 7/00  
297/118

(73) Assignee: **Vermont Juvenile Furniture Mfg., Inc.**, West Rutland, VT (US)

**FOREIGN PATENT DOCUMENTS**

(\*\*) Term: **15 Years**

CN 203450158 2/2014  
CN 203920809 11/2014  
GB 2511200 8/2014  
TW M267130 6/2005

(21) Appl. No.: **29/586,219**

\* cited by examiner

(22) Filed: **Dec. 1, 2016**

(51) **LOC (11) Cl.** ..... **30-02**

*Primary Examiner* — Robin V Webster

(52) **U.S. Cl.**

*Assistant Examiner* — James C Thorn, Sr.

USPC ..... **D30/109**; D12/129

(74) *Attorney, Agent, or Firm* — Volpe and Koenig, P.C.

(58) **Field of Classification Search**

USPC ..... D30/109; D12/129, 133  
CPC .... B62B 7/00; B62B 7/02; B62B 7/04; B62B  
9/00; B62B 1/00; B62B 1/042; B62B  
3/00

(57) **CLAIM**

The ornamental design for a pet stroller, as shown and described.

See application file for complete search history.

**DESCRIPTION**

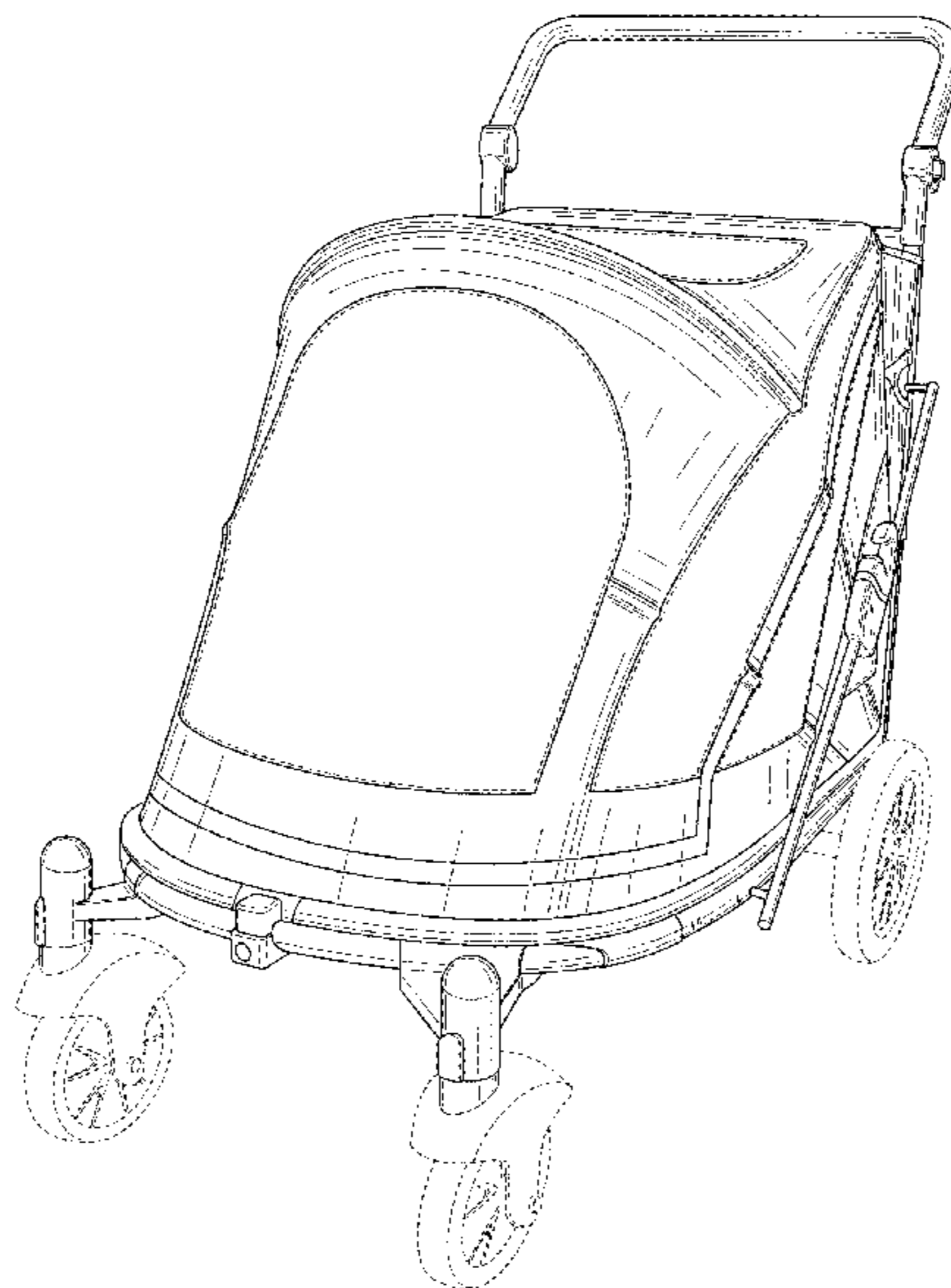
(56) **References Cited**

**U.S. PATENT DOCUMENTS**

D308,656 S \* 6/1990 Takahashi ..... D12/129  
D415,073 S \* 10/1999 Meehan ..... D12/129  
D475,660 S \* 6/2003 Licciardello ..... D12/129  
D478,198 S \* 8/2003 Koppes ..... D12/129  
D641,293 S \* 7/2011 Tsai ..... D12/129  
D693,742 S \* 11/2013 Fredendall ..... D12/129  
D723,746 S \* 3/2015 Jakubowski ..... D30/109  
D757,370 S \* 5/2016 Jakubowski ..... D30/109  
D765,555 S \* 9/2016 Lai ..... D12/129  
D780,073 S \* 2/2017 Tsai ..... D12/129

FIG. 1 is a top, front, right perspective view of a pet stroller in accordance with our design;  
FIG. 2 is a front elevational view thereof;  
FIG. 3 is a rear elevational view thereof;  
FIG. 4 is a left side elevational view thereof;  
FIG. 5 is a right side elevational view thereof;  
FIG. 6 is a top plan view thereof; and,  
FIG. 7 is a bottom plan view thereof.  
The broken lines shown represent unclaimed features and form no part of the claimed design.

**1 Claim, 6 Drawing Sheets**



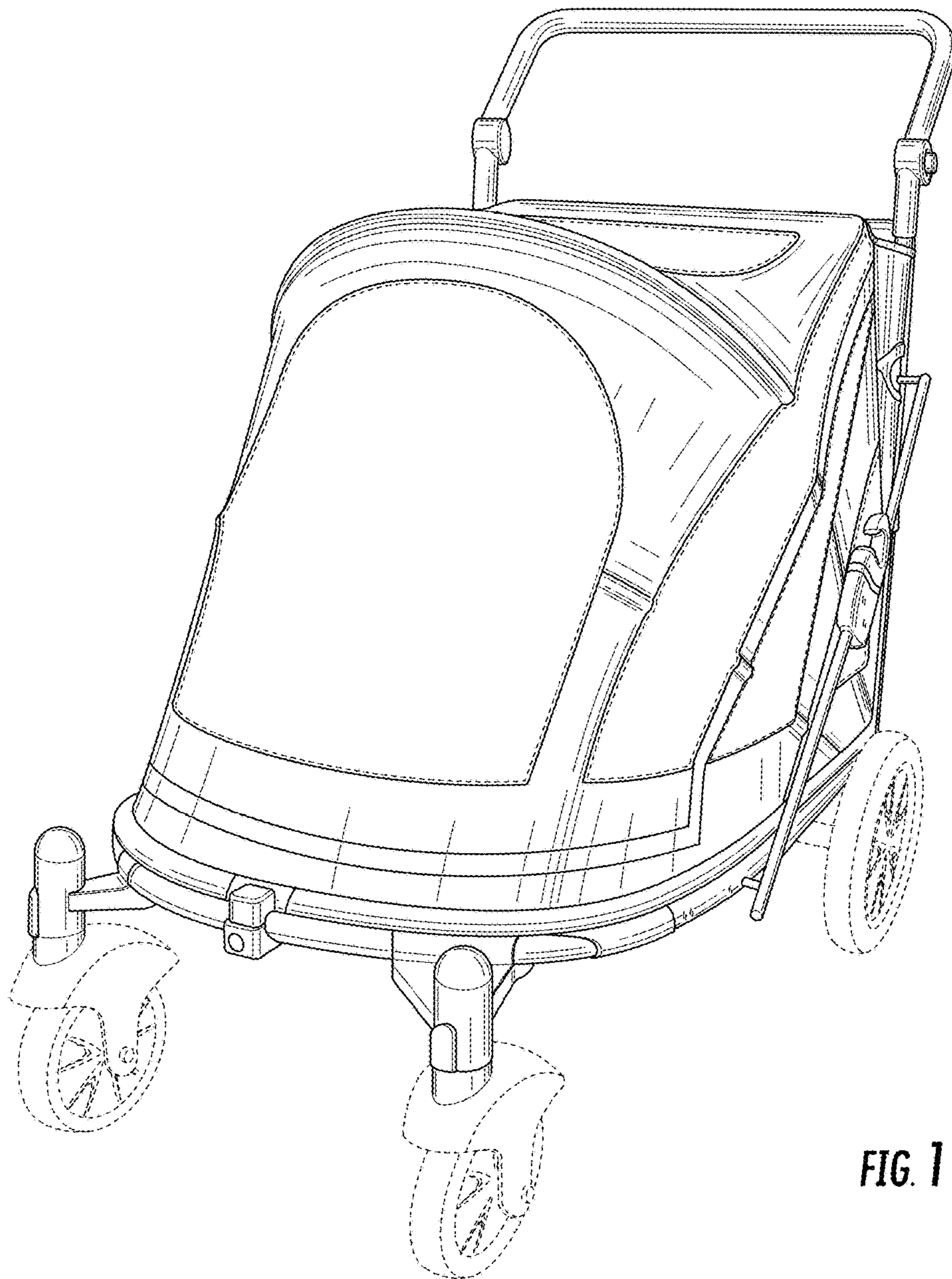


FIG. 1

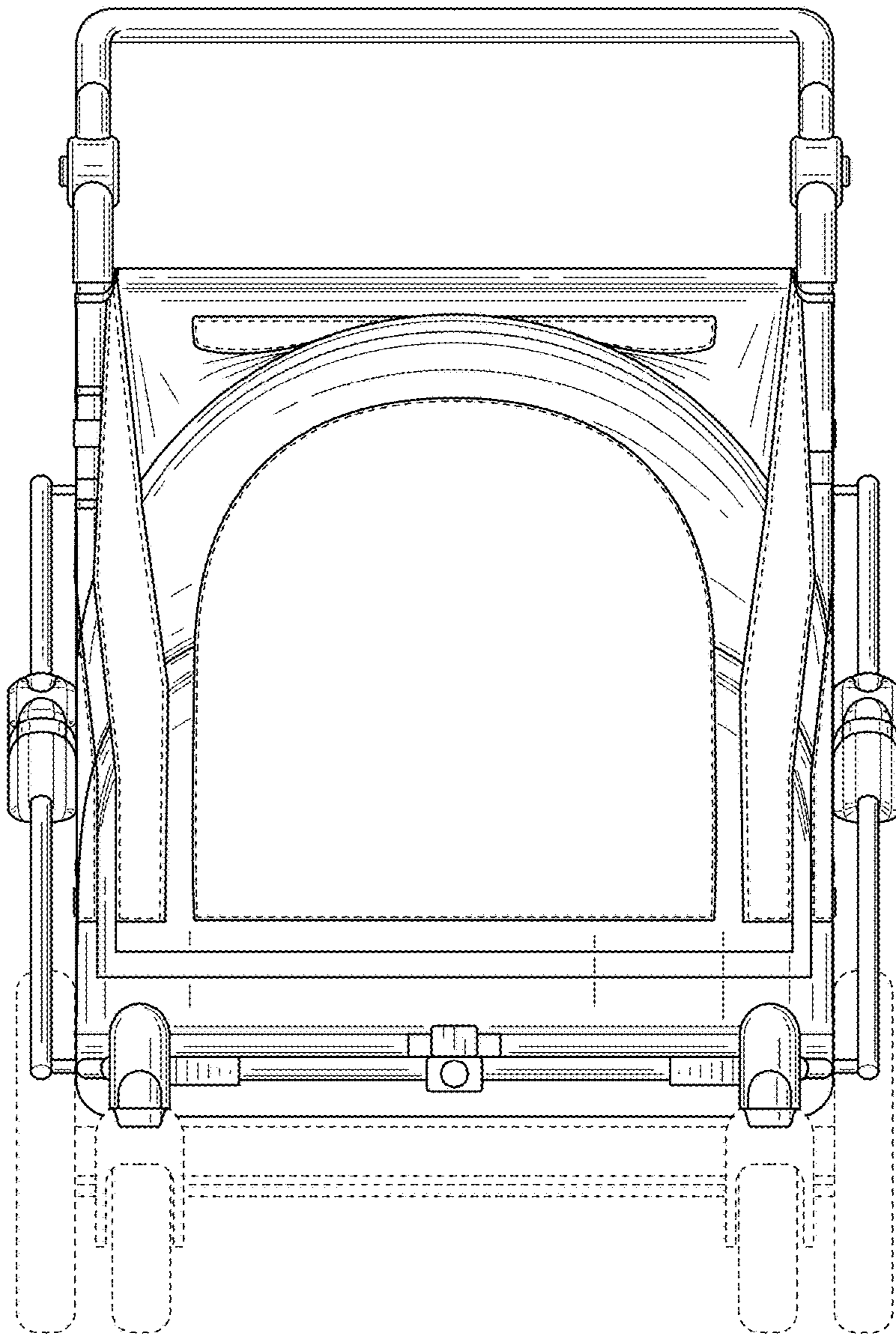


FIG. 2

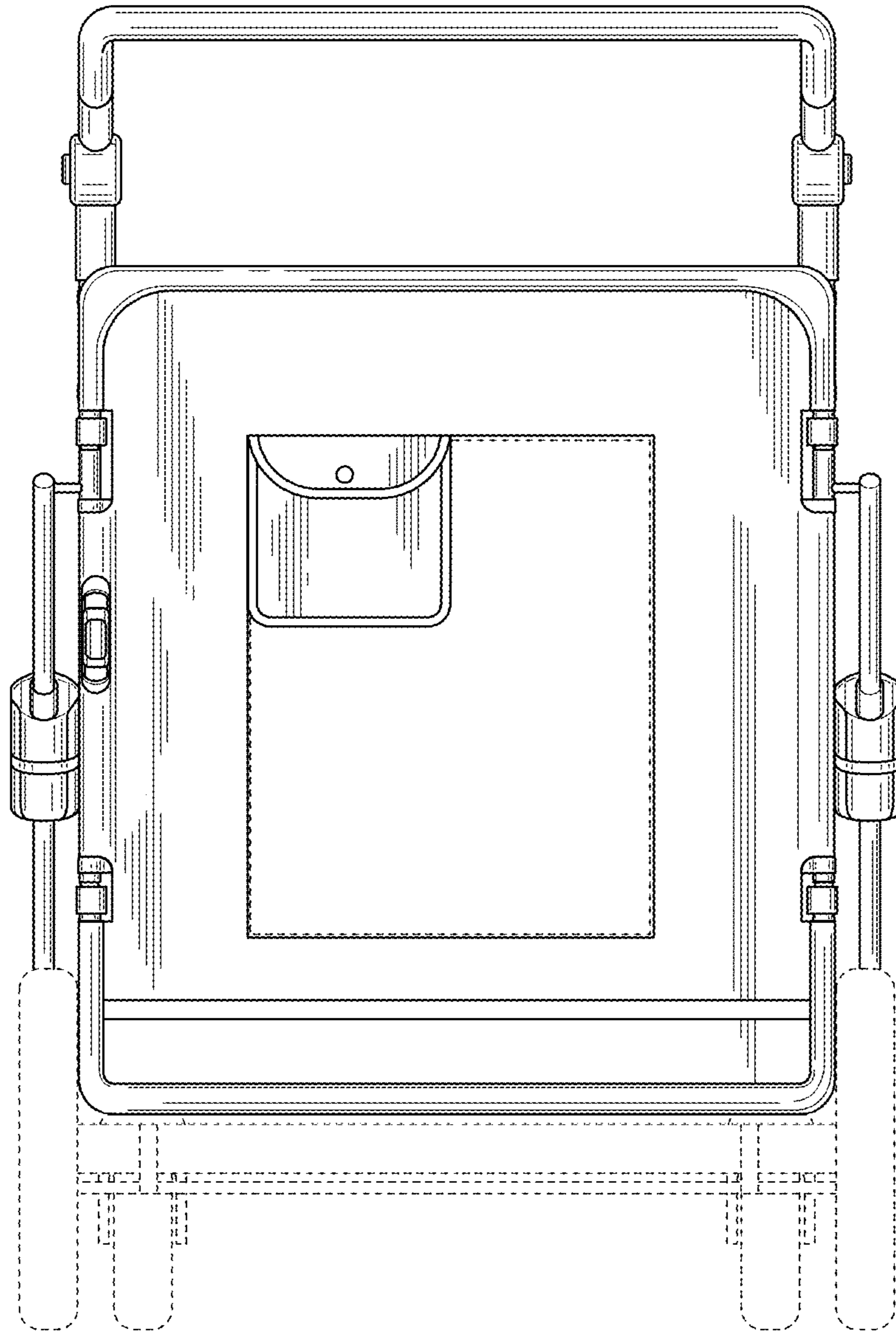


FIG. 3

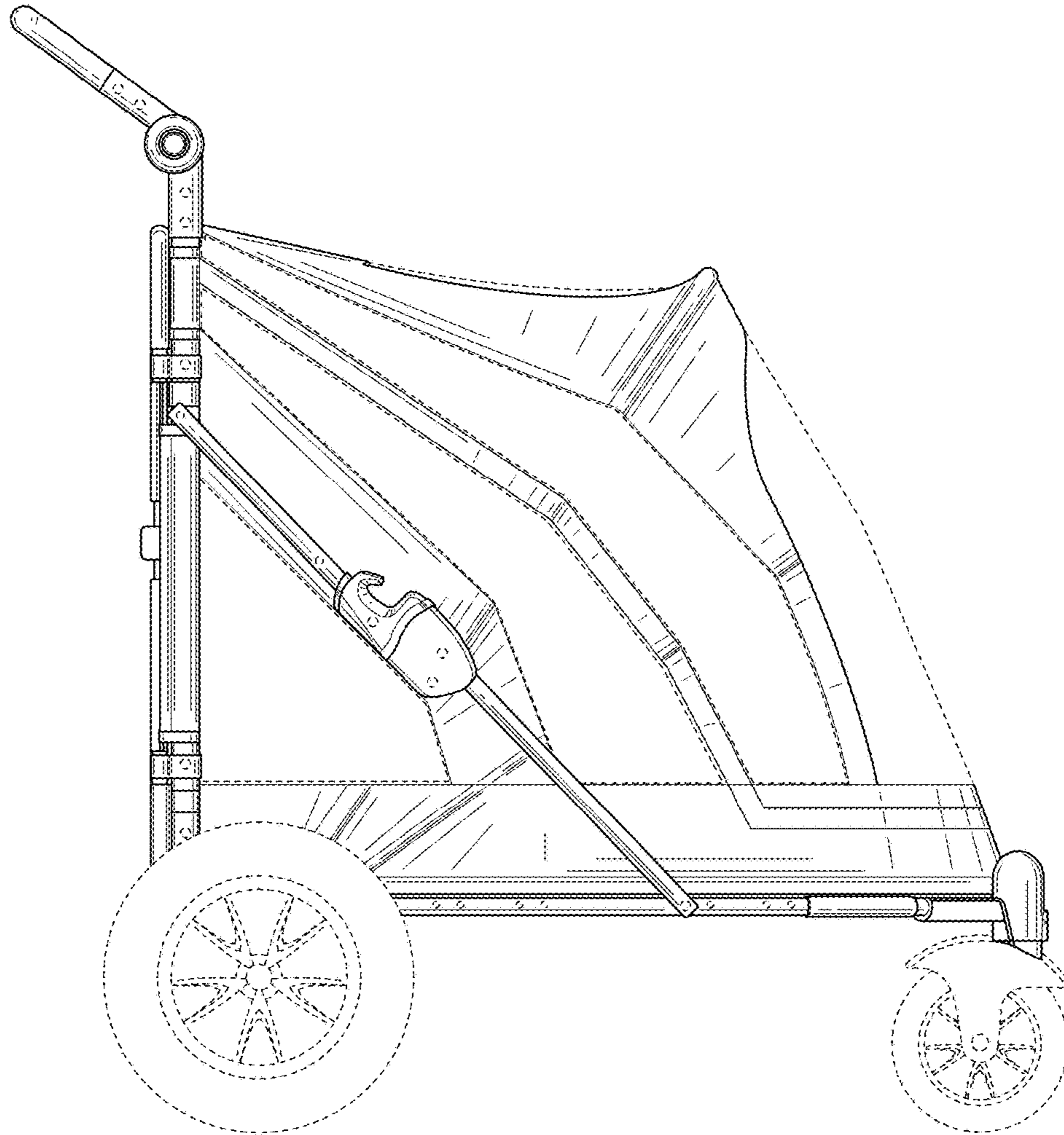


FIG. 4

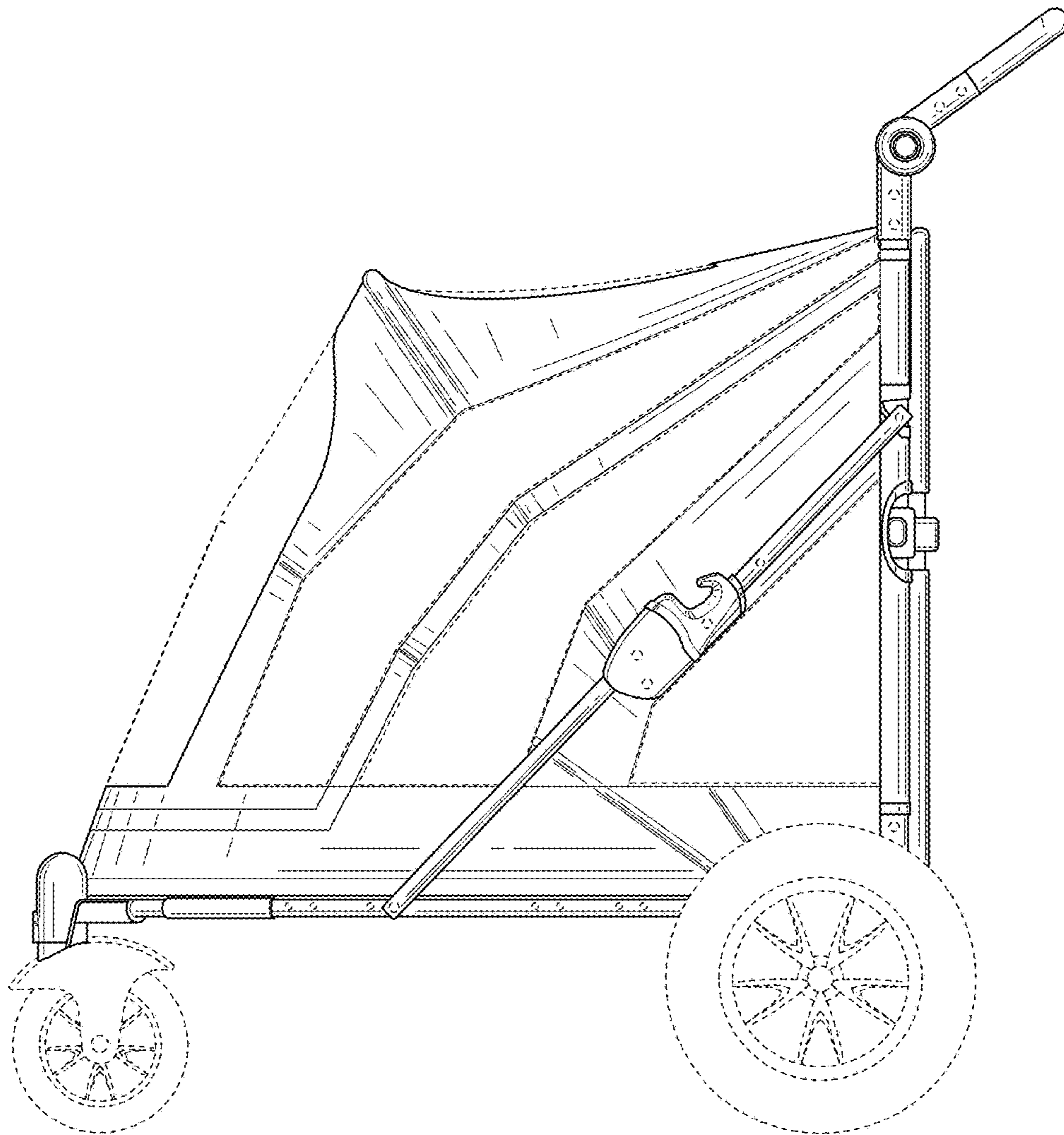


FIG. 5

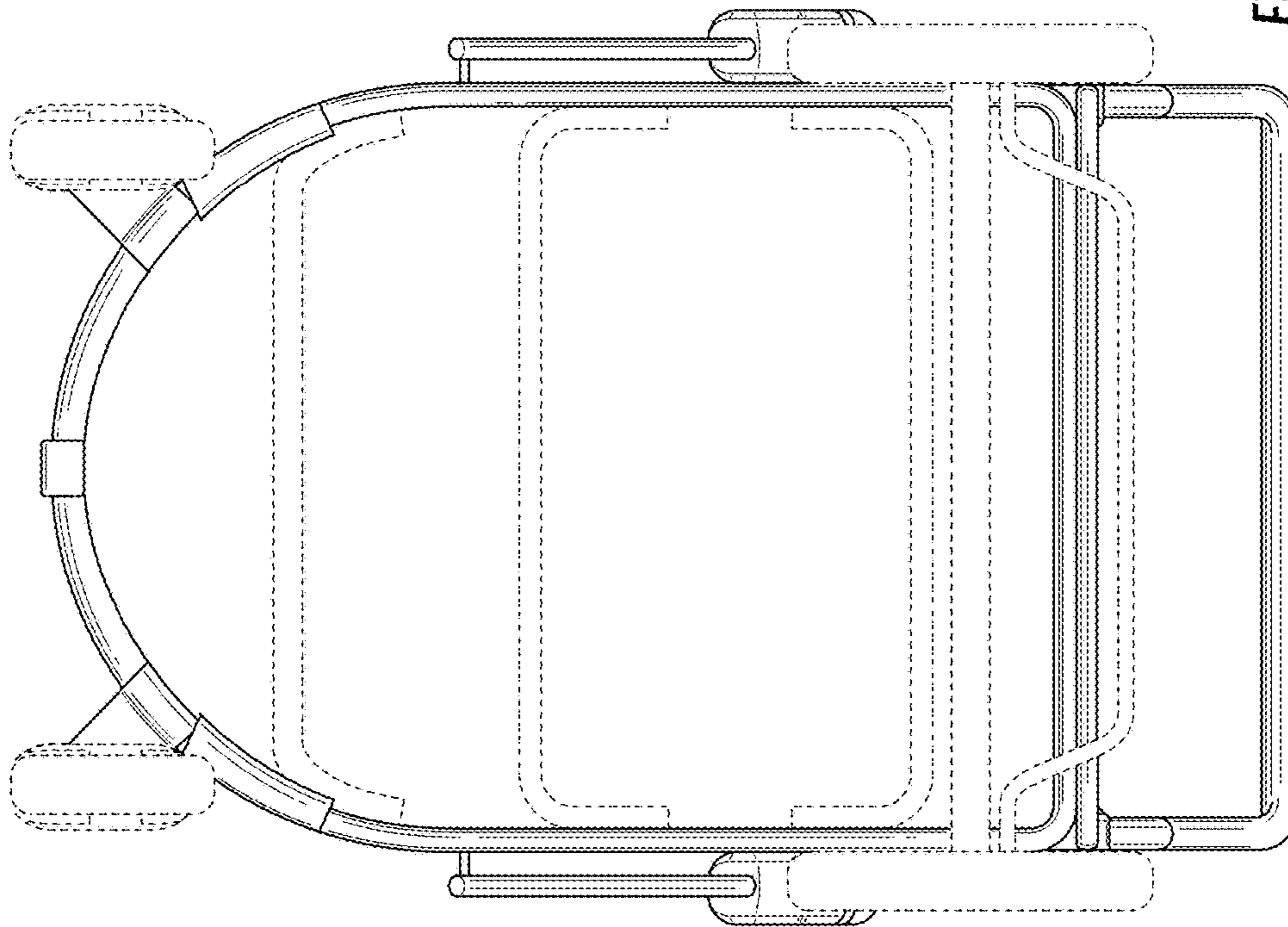


FIG. 7

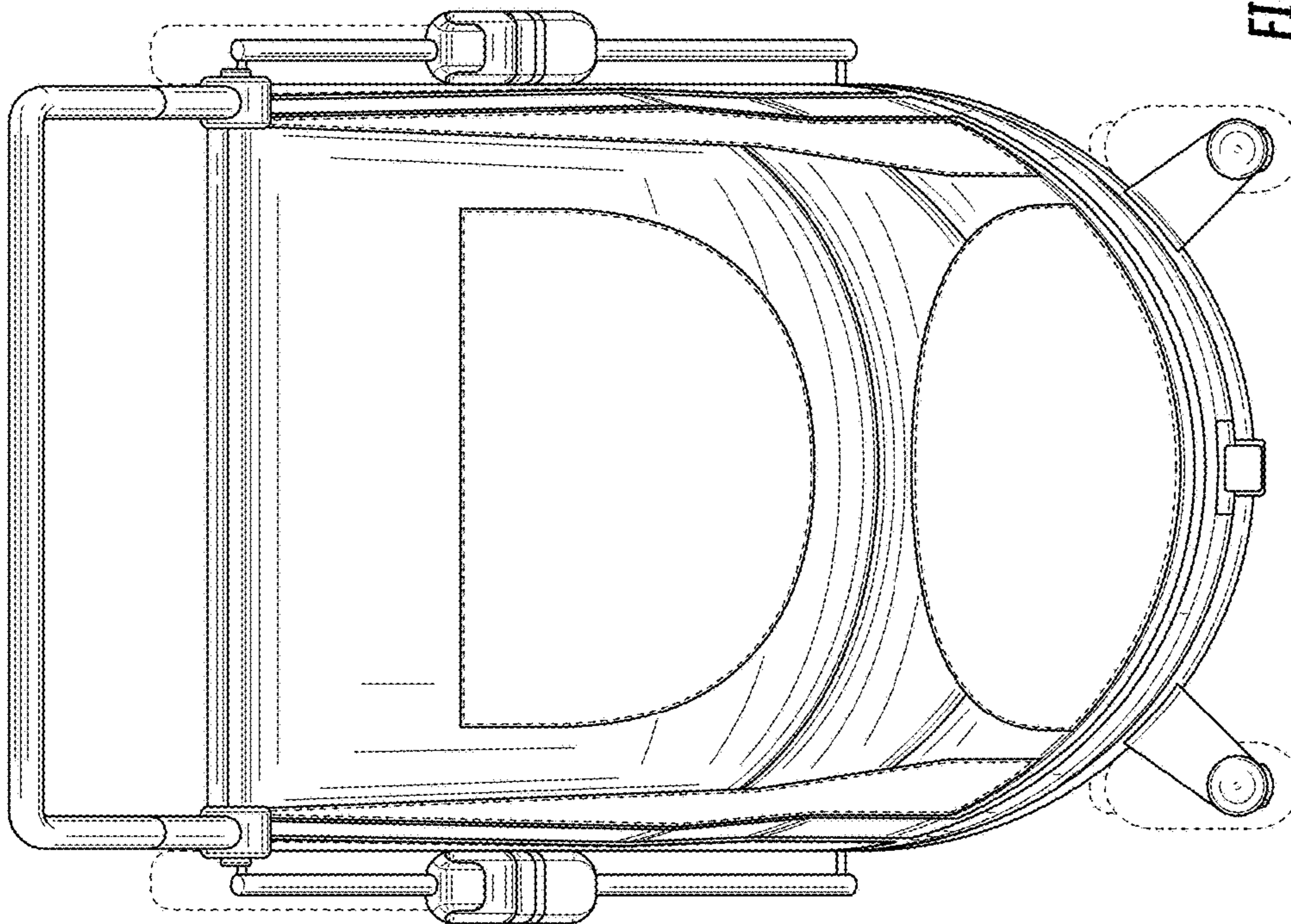


FIG. 6