



US00D827936S

(12) **United States Design Patent**  
**Jung**

(10) **Patent No.:** **US D827,936 S**

(45) **Date of Patent:** **\*\* Sep. 4, 2018**

(54) **SANITARY MASK**

(71) Applicant: **Daniel Jung**, Issaquah, WA (US)

(72) Inventor: **Daniel Jung**, Issaquah, WA (US)

(\*\*) Term: **15 Years**

(21) Appl. No.: **29/607,937**

(22) Filed: **Jun. 17, 2017**

(51) **LOC (11) Cl.** ..... **29-02**

(52) **U.S. Cl.**  
USPC ..... **D29/110**

(58) **Field of Classification Search**  
USPC ..... D29/108–110, 102–107, 122;  
D24/110.1–110.3

See application file for complete search history.

(56) **References Cited**

**U.S. PATENT DOCUMENTS**

D657,498 S \* 4/2012 Shi ..... D29/108  
D666,776 S \* 9/2012 Shim ..... D29/110

D684,322 S \* 6/2013 Shim ..... D29/110

\* cited by examiner

*Primary Examiner* — Robert A Delehanty

(74) *Attorney, Agent, or Firm* — Seattle Patent Group  
LLC; James Haugen

(57) **CLAIM**

I claim the ornamental design for a sanitary mask, as shown and described.

**DESCRIPTION**

FIG. 1 is perspective view of a sanitary mask, according to my design.

FIG. 2 is front view thereof.

FIG. 3 is back view thereof.

FIG. 4 is left view thereof.

FIG. 5 is right view thereof.

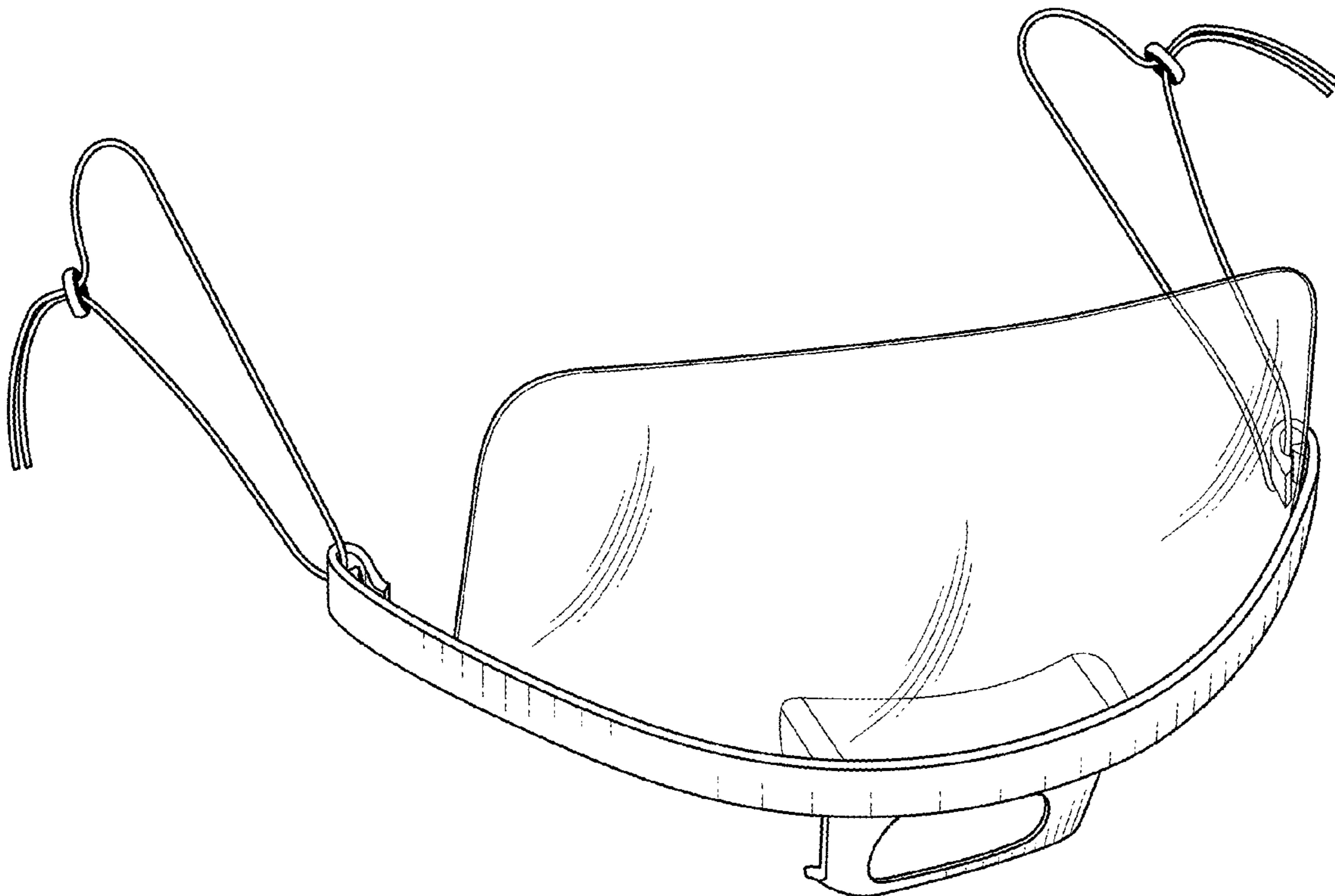
FIG. 6 is top view thereof.

FIG. 7 is bottom view thereof; and,

FIG. 8 is an in-use view thereof.

The broken lines in the drawings are for illustrative purposes only and form no part of the claimed design.

**1 Claim, 5 Drawing Sheets**



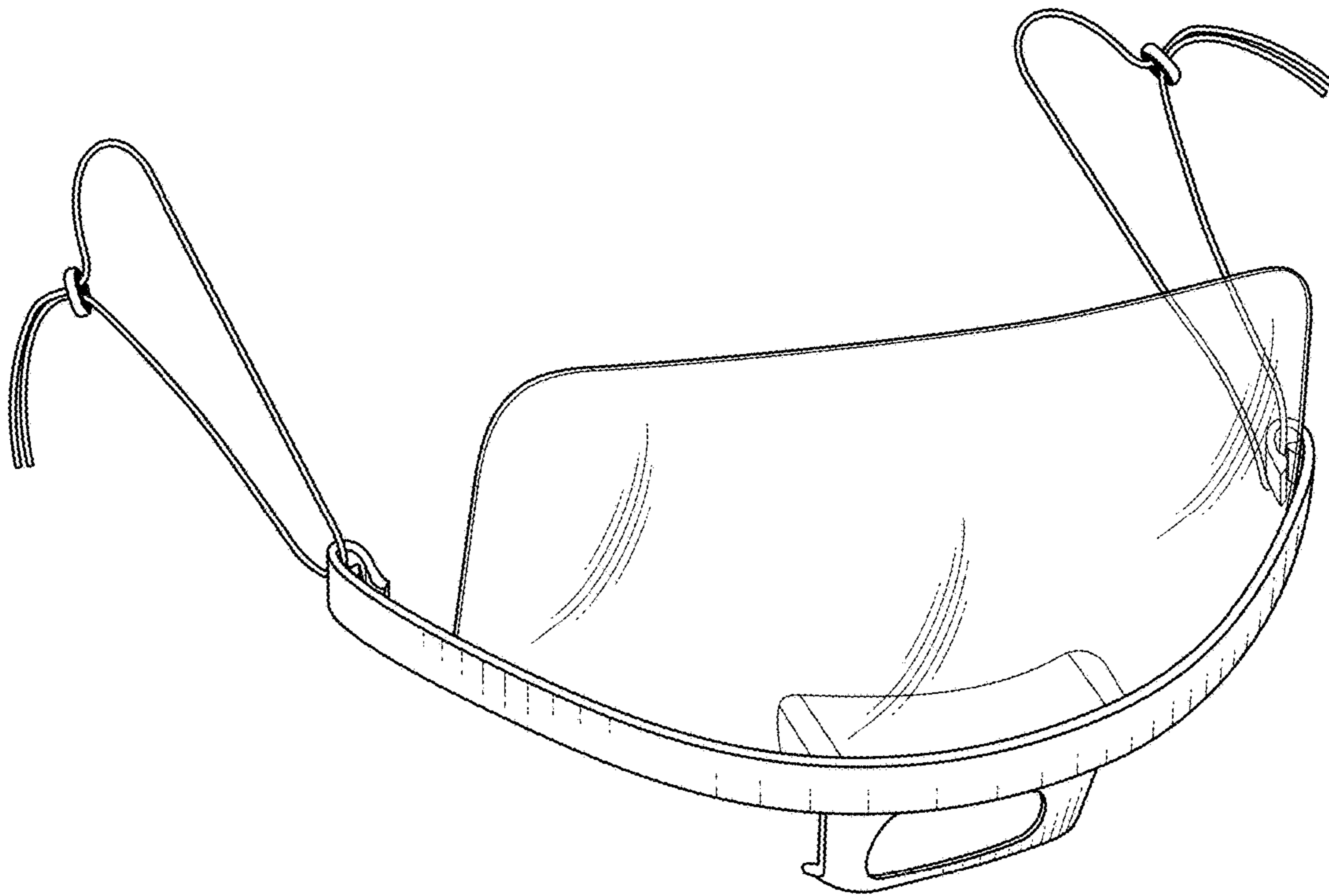


FIG. 1

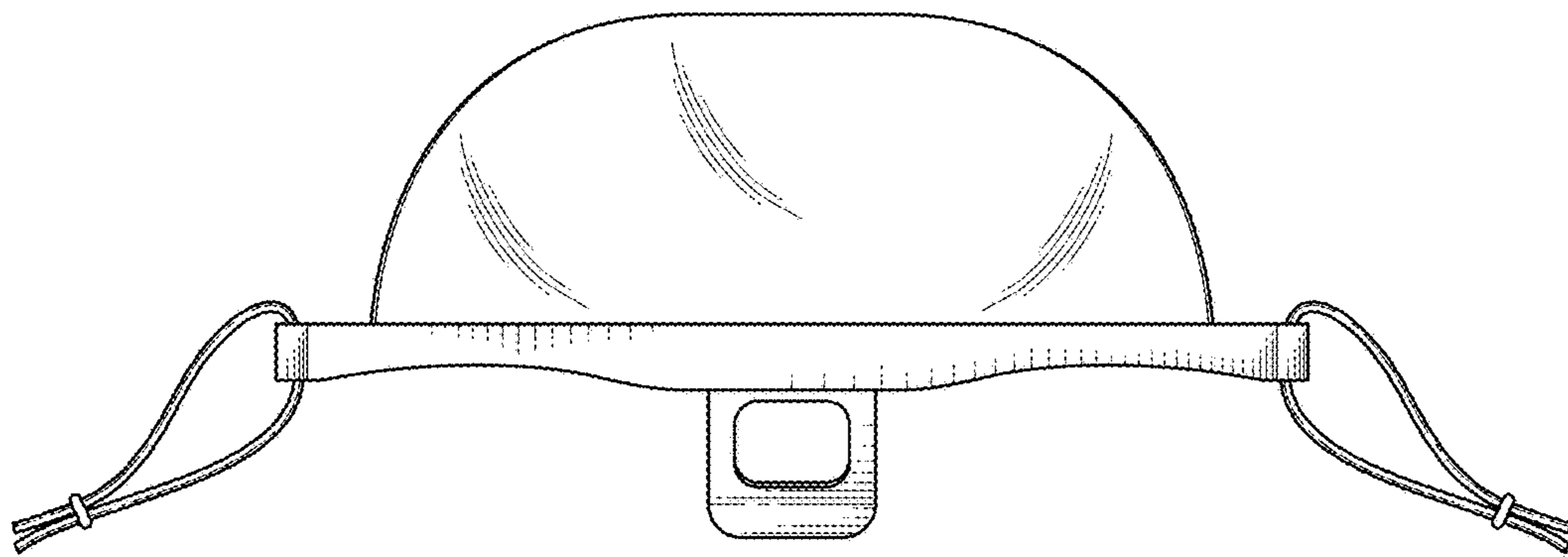


FIG. 2

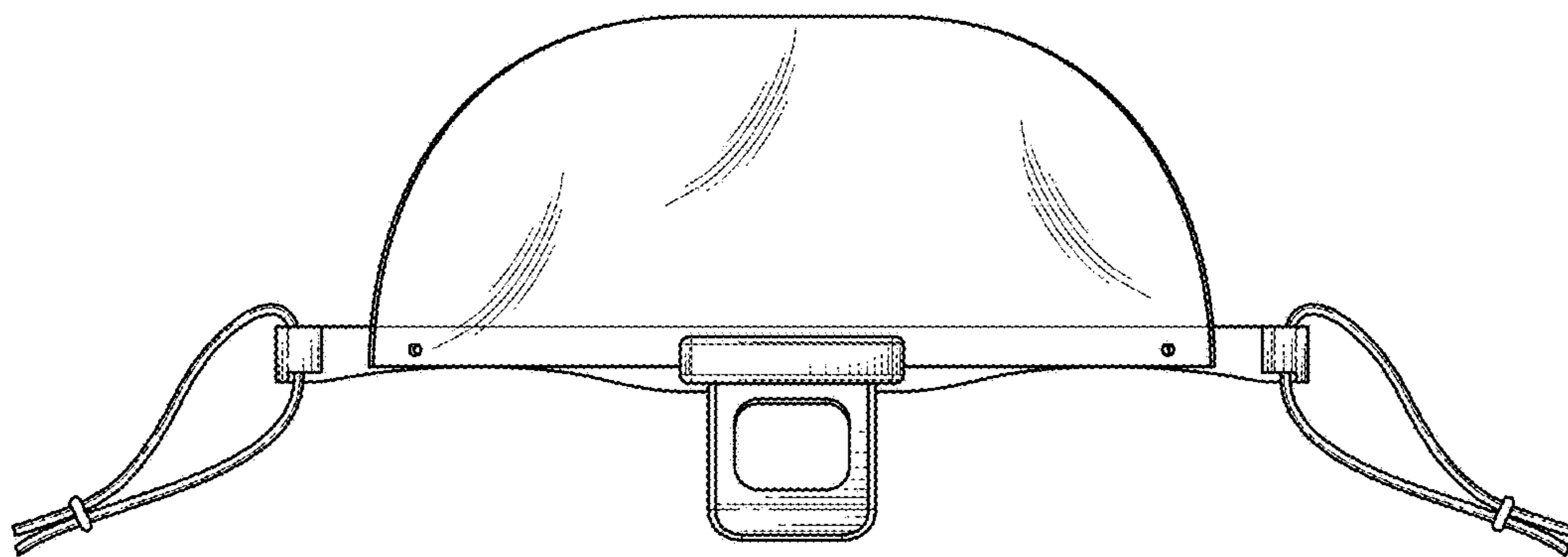


FIG. 3

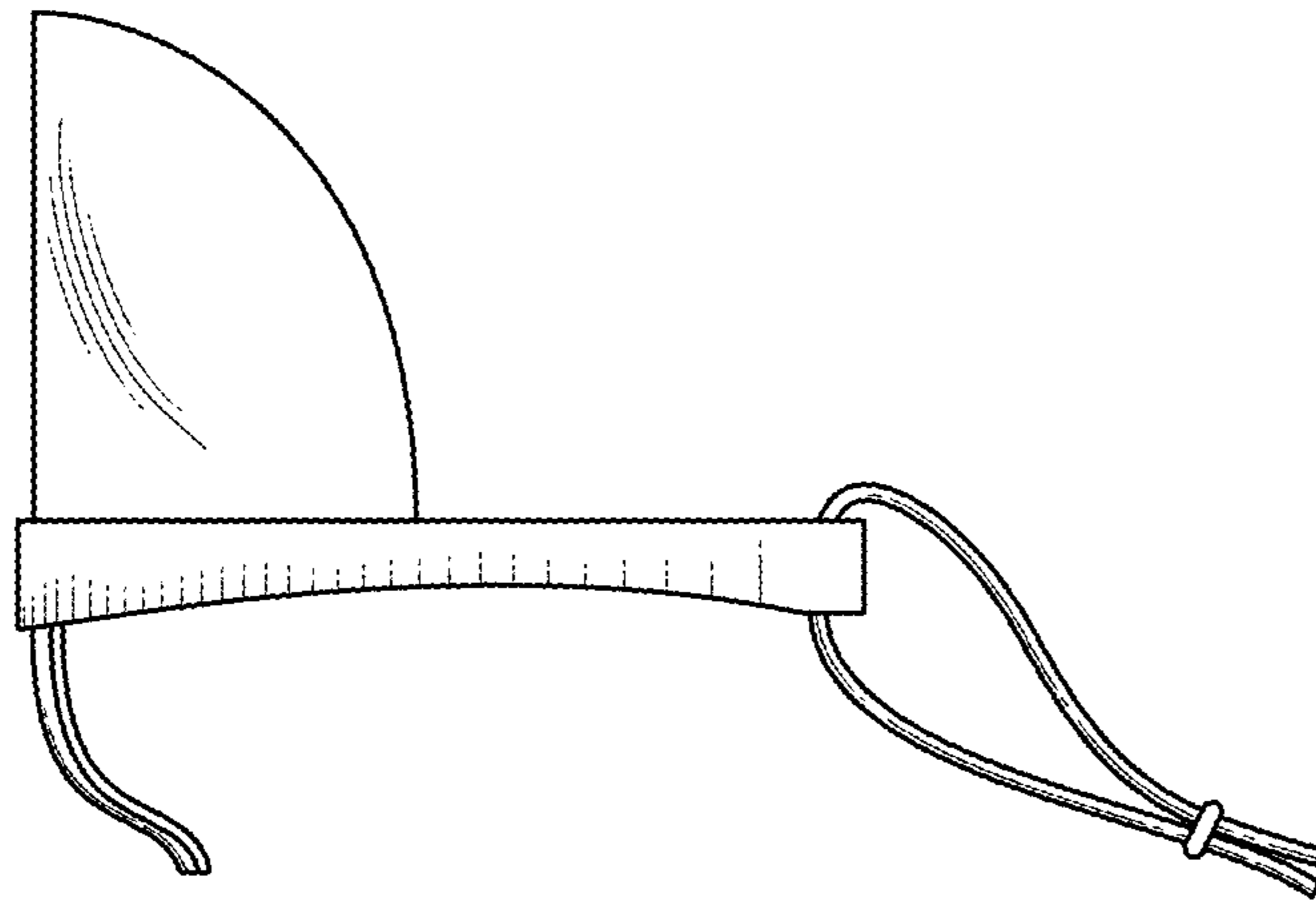


FIG. 4

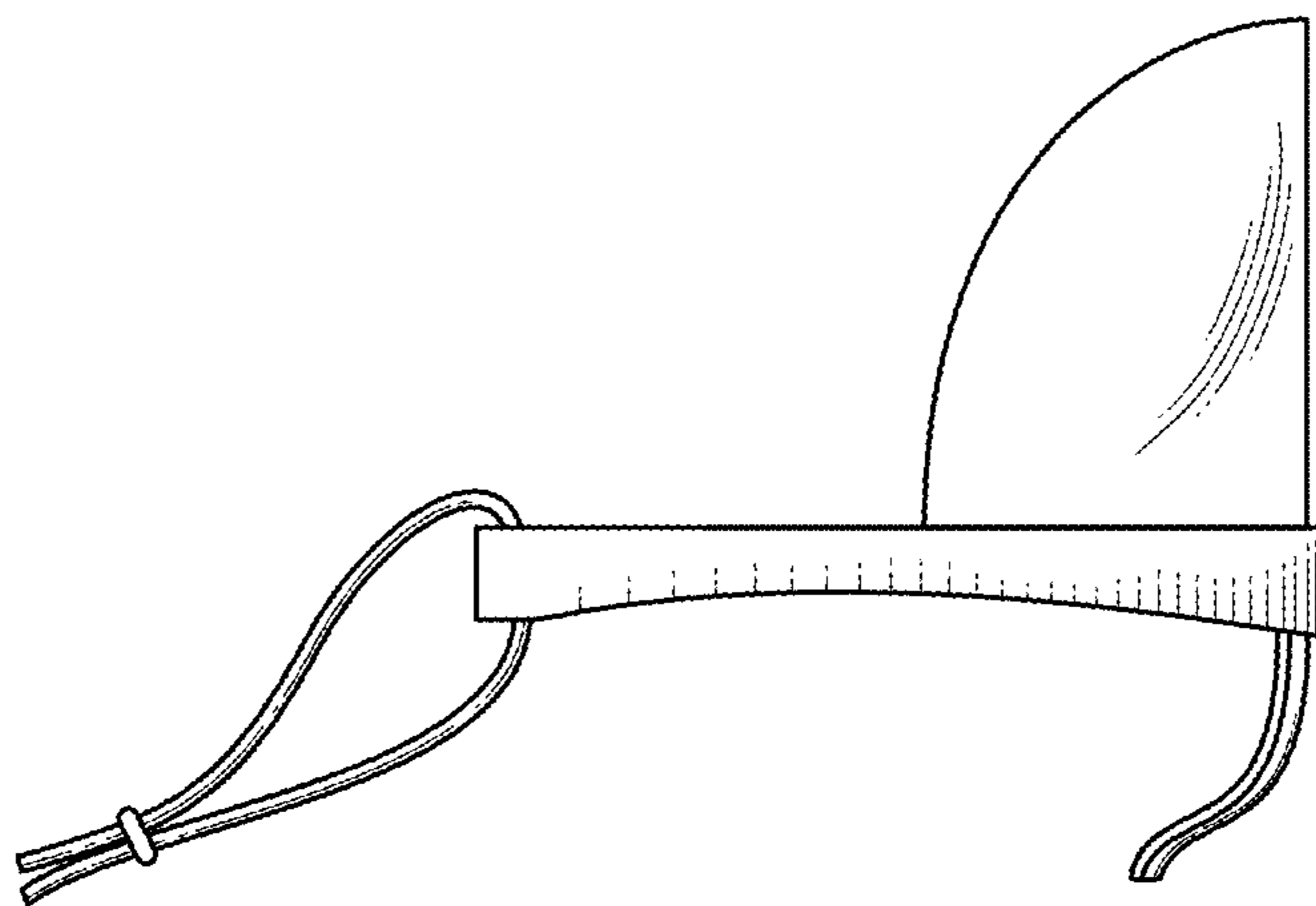


FIG. 5

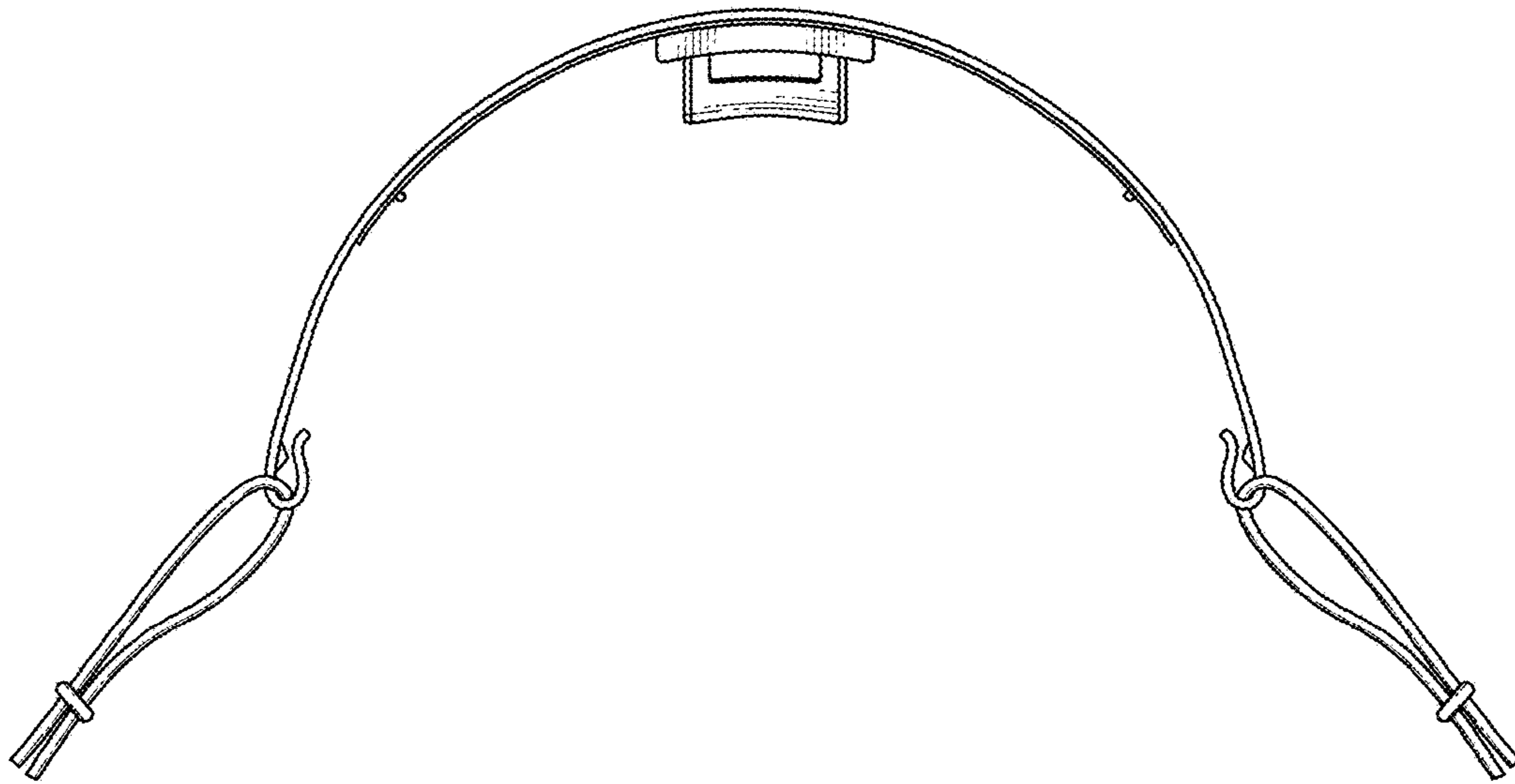


FIG. 6

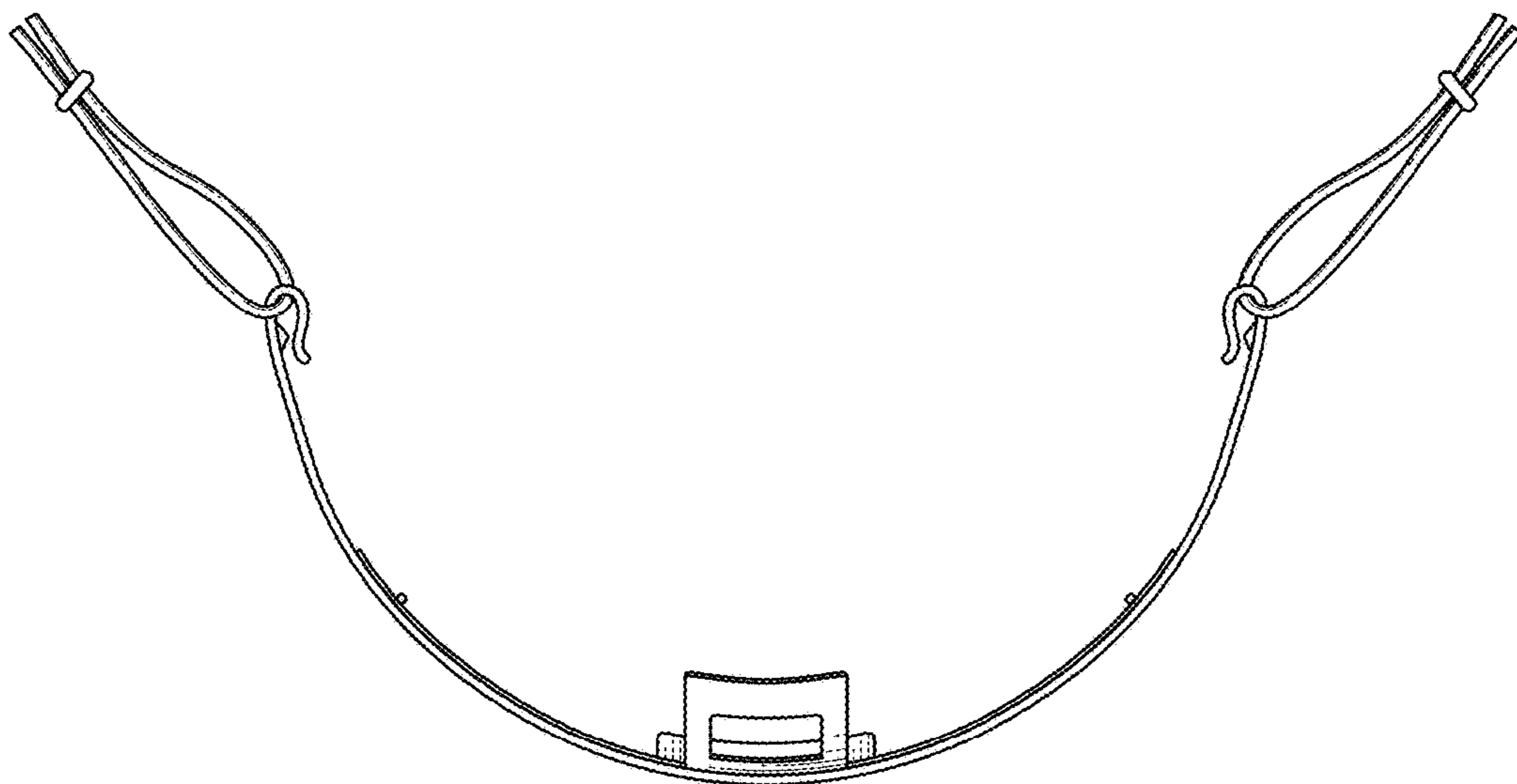


FIG. 7

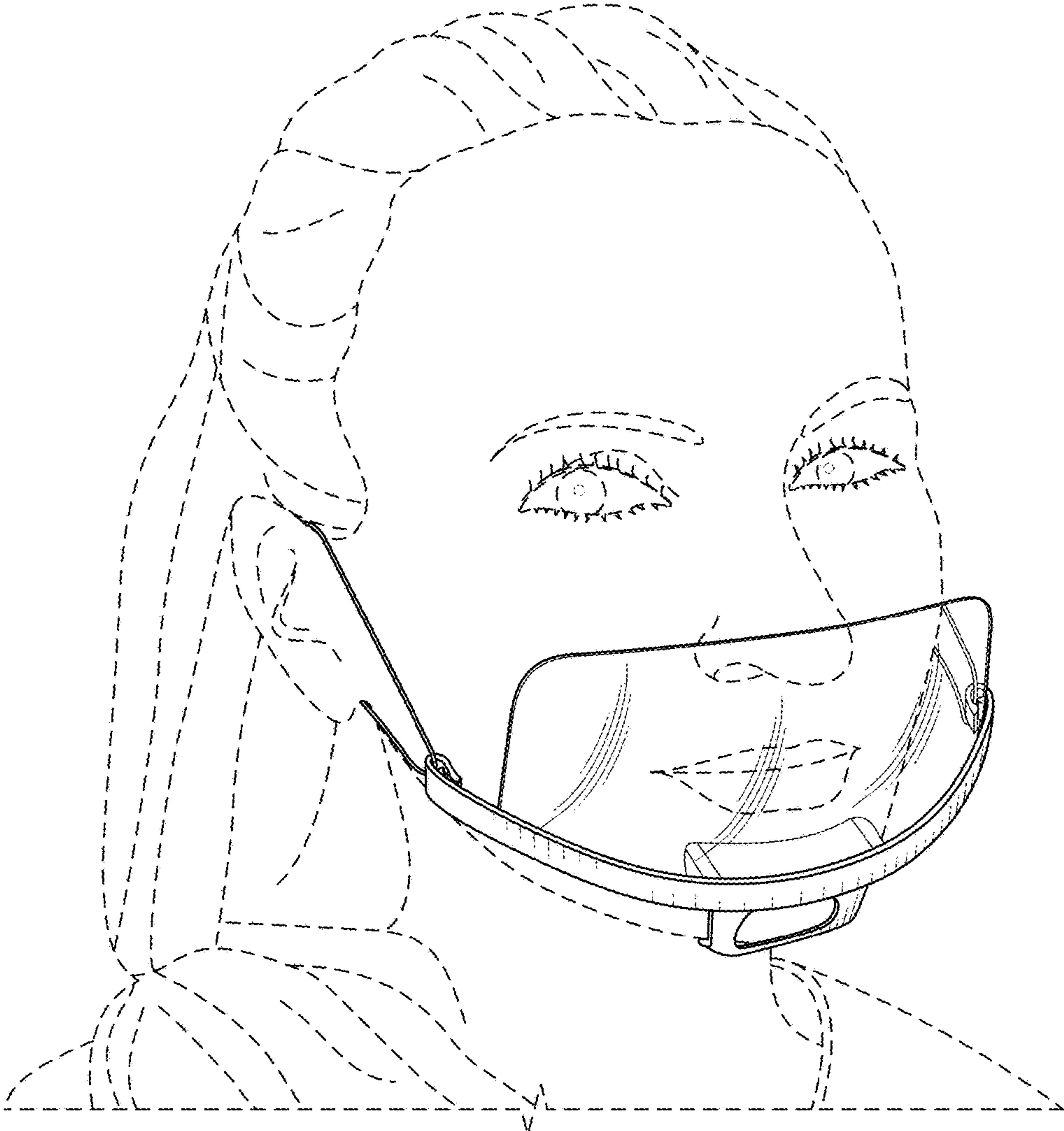


FIG. 8