



US00D827935S

(12) **United States Design Patent**
Teller et al.

(10) **Patent No.:** **US D827,935 S**
(45) **Date of Patent:** **** *Sep. 4, 2018**

(54) **LIP PRODUCT CONTAINER**

(71) Applicant: **EOS PRODUCTS, LLC**, New York, NY (US)

(72) Inventors: **Jonathan Teller**, New York, NY (US);
Sanjiv Mehra, New York, NY (US);
Peter Waxman, New York, NY (US);
Joseph Speter, New York, NY (US);
Sherry Jhawar, New York, NY (US);
Hamish Campbell, New York, NY (US)

(73) Assignee: **EOS PRODUCTS, LLC**, New York, NY (US)

(*) Notice: This patent is subject to a terminal disclaimer.

(**) Term: **15 Years**

(21) Appl. No.: **29/573,704**

(22) Filed: **Aug. 9, 2016**

(51) **LOC (11) Cl.** **28-03**

(52) **U.S. Cl.**
USPC **D28/85; D9/519; D9/529**

(58) **Field of Classification Search**
USPC D9/434, 435, 436, 449, 452, 454, 516,
D9/519, 522, 529, 549, 551, 552, 554,
D9/555, 558, 682, 688, 693, 715, 719,
D9/725, 726, 727; D23/366, 367;
D28/82, 85, 90, 91.1

CPC A45D 33/18; A45D 19/02; A45D 34/02;
B65D 2543/00351; B65D 1/14

See application file for complete search history.

(56) **References Cited**

U.S. PATENT DOCUMENTS

75,524 A 3/1868 Chase, Jr.
1,852,455 A 4/1932 Friedman
D112,545 S 12/1939 Younghusband

2,171,112 A 5/1940 Hoffman
2,201,467 A 5/1940 Bloom
D129,291 S 9/1941 Petzold
D130,030 S 10/1941 Meyer
(Continued)

FOREIGN PATENT DOCUMENTS

EP 0433150 6/1991
EP 0628393 4/1994
(Continued)

OTHER PUBLICATIONS

U.S. Appl. No. 29/411,931, filed Jan. 2012, Teller.
(Continued)

Primary Examiner — Ian Simmons
Assistant Examiner — Keith Frank

(74) *Attorney, Agent, or Firm* — Martin & Ferraro, LLP

(57) **CLAIM**

The ornamental design for a lip product container, as shown and described.

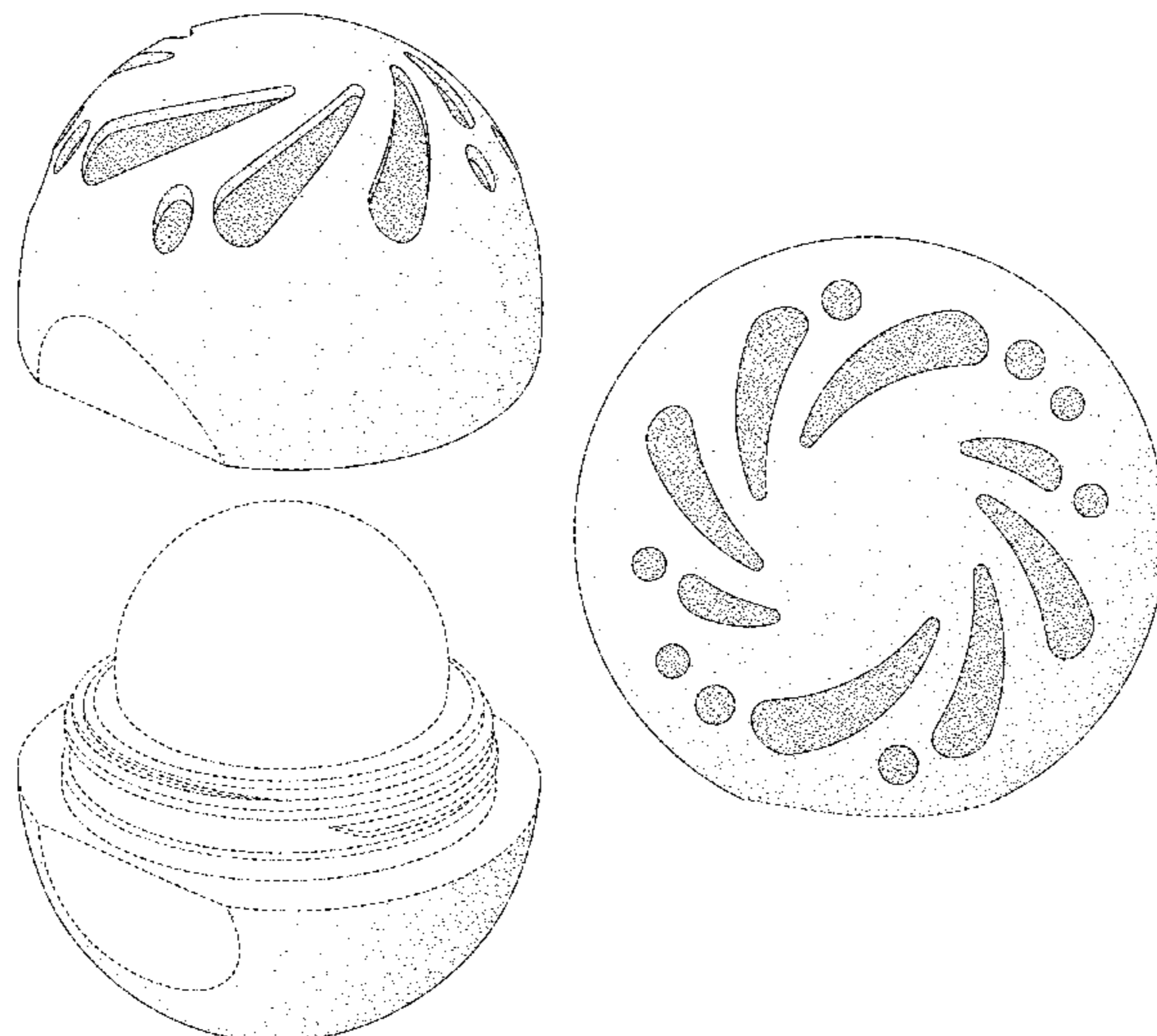
DESCRIPTION

FIG. 1 is a perspective view of a lip product container in an open configuration showing my design; FIG. 2 is a front elevation view thereof; FIG. 3 is a rear elevation view thereof; FIG. 4 is a left side elevation view thereof; FIG. 5 is a right side elevation view thereof; FIG. 6 is a top plan view thereof; and, FIG. 7 is a bottom plan view thereof.

The broken lines in the drawings showing the lip product container illustrate the portions of the lip product container that form no part of the claimed design.

The heavy shading (i.e., heavy stippling) in FIGS. 1-7 shows contrast in appearance relative to the lightly-shaded surface regions (i.e., light stippling) of the lip product container.

1 Claim, 7 Drawing Sheets



(56)

References Cited

U.S. PATENT DOCUMENTS

2,568,688	A	9/1951	Sidney	D459,216	S	6/2002	Heijdenrijk	
2,745,642	A	5/1956	Herman	D465,149	S	11/2002	Bennett et al.	
D180,109	S	4/1957	Slater	D465,614	S	11/2002	Petit	
2,998,896	A	9/1961	Miller	D465,733	S	11/2002	Hill	
3,085,709	A	4/1963	Klein	D466,252	S	11/2002	Yu	
3,292,840	A	12/1966	Schmidt	D471,667	S	3/2003	Angeletta	
3,494,515	A	2/1970	Fattori	D476,111	S	6/2003	Karafotas	
D219,496	S	12/1970	Lebedeff	D476,884	S	7/2003	Miranda	
3,741,379	A	6/1973	Kappler et al.	6,626,313	B2	9/2003	Herbstreit et al.	
D230,954	S	3/1974	Gregorietti	D480,633	S	10/2003	Miranda	
3,843,120	A	10/1974	Ricci	D484,585	S	* 12/2003	Upton	D23/366
D240,711	S	7/1976	Angleman et al.	D484,646	S	12/2003	Ditrichstein	
D243,585	S	3/1977	Angleman et al.	6,688,795	B1	2/2004	Jacob et al.	
4,044,889	A	8/1977	Orentreich et al.	D489,148	S	4/2004	Sheng	
4,069,935	A	1/1978	Hampel	6,773,187	B2	8/2004	Gueret	
4,124,135	A	11/1978	Weder et al.	D504,979	S	5/2005	Lai	
4,164,301	A	8/1979	Thayer	D506,850	S	6/2005	Angeletta	
D253,394	S	11/1979	Berghahn et al.	D507,177	S	7/2005	Weissman	
D255,653	S	7/1980	Lipsz	D509,890	S	* 9/2005	Stavale	D23/366
D255,990	S	7/1980	Lucas	D510,991	S	* 10/2005	Harbutt	D23/366
D256,095	S	7/1980	Sandonato	D522,642	S	* 6/2006	Matsuda	D23/366
4,235,557	A	11/1980	Hayes	D534,076	S	12/2006	Green et al.	
D258,199	S	2/1981	Torongo, Jr.	D536,081	S	* 1/2007	Steinel	D23/366
4,261,468	A	4/1981	Krebs	D543,244	S	* 5/2007	Tsuruha	D19/73
D261,105	S	10/1981	Schwartz	D552,473	S	* 10/2007	Simkin	D9/516
4,342,522	A	8/1982	Mackles	D554,529	S	11/2007	Green et al.	
D266,146	S	9/1982	Morris	D561,608	S	2/2008	Hogben	
D272,723	S	2/1984	Baker	D562,699	S	2/2008	Green et al.	
D273,766	S	5/1984	Lampe	D564,900	S	3/2008	Green et al.	
D276,705	S	12/1984	Oliveri	D573,026	S	7/2008	Tsai	
D280,289	S	8/1985	Aldrich et al.	D577,583	S	9/2008	Porter et al.	
D286,616	S	11/1986	Becker	D577,584	S	9/2008	Porter et al.	
D291,991	S	9/1987	Lee	D578,393	S	10/2008	Canamasas Puigbo	
4,728,210	A	3/1988	Barish et al.	D582,291	S	12/2008	de Baschmakoff	
4,765,501	A	8/1988	Kao	D585,129	S	* 1/2009	Huang	D23/366
D302,384	S	7/1989	Holewinski	7,503,331	B2	3/2009	Eng et al.	
D317,118	S	5/1991	Crawford	D592,064	S	5/2009	Kilany	
5,025,817	A	6/1991	Wen	D602,663	S	10/2009	Pennington	
5,061,102	A	10/1991	Rennie	D608,084	S	1/2010	Anson et al.	
D321,319	S	* 11/1991	Giuseppe	D608,826	S	1/2010	Laguatan et al.	
5,092,700	A	3/1992	Susini et al.	D610,458	S	2/2010	Martin	
5,150,808	A	9/1992	Hamilton	D611,587	S	* 3/2010	Dineen	D23/366
D333,780	S	3/1993	Jones et al.	D612,245	S	3/2010	Canamasas Puigbo	
D333,784	S	3/1993	Goodman	7,699,062	B2	4/2010	Sasaki	
D339,986	S	10/1993	Garouste et al.	D615,818	S	5/2010	Jansen	
D343,699	S	1/1994	Yang	D617,439	S	* 6/2010	Valentino	D23/367
5,287,979	A	2/1994	Bourgeois	D625,469	S	10/2010	Dubitsky et al.	
D346,112	S	4/1994	Alcinder	D631,204	S	1/2011	Dubitsky et al.	
D354,441	S	1/1995	Fontanella	D638,880	S	5/2011	Rashid	
D357,584	S	4/1995	Swingler	D643,879	S	8/2011	Rashid	
D368,220	S	3/1996	Bicknell et al.	D644,939	S	9/2011	Teller	
D368,427	S	4/1996	Bicknell et al.	D651,903	S	1/2012	Teller	
D377,757	S	2/1997	Bertolini et al.	D660,451	S	5/2012	Matsuura	
D387,662	S	12/1997	Bright et al.	D668,298	S	10/2012	Rashid	
D389,409	S	1/1998	Tucker	D669,232	S	10/2012	Chung et al.	
D393,421	S	4/1998	Kovens	8,388,252	B2	3/2013	Thiebaut	
5,743,404	A	4/1998	Melashenko et al.	D680,439	S	4/2013	Reetz	
5,792,496	A	8/1998	Fekete	D681,118	S	4/2013	Mueller et al.	
D398,533	S	9/1998	Kotyuk et al.	8,444,337	B2	5/2013	Teller et al.	
5,808,215	A	9/1998	Kralik et al.	8,651,308	B1	2/2014	Sung	
D406,764	S	3/1999	Bright et al.	8,747,002	B2	6/2014	Izkovitz	
5,884,637	A	3/1999	Joulia	D709,652	S	7/2014	Teller	
D408,738	S	4/1999	Wu	D710,544	S	8/2014	Shen	
5,925,391	A	7/1999	Whetstone, Jr.	8,851,088	B2	10/2014	Dibnah	
5,988,424	A	11/1999	Kovens	D717,038	S	11/2014	Lee	
6,010,264	A	1/2000	Scuderi et al.	8,888,391	B2	* 11/2014	Teller	A45D 40/00 206/385
D422,904	S	4/2000	Lepsius et al.	D726,028	S	4/2015	Thompson	
6,050,438	A	4/2000	Kovens et al.	D731,180	S	* 6/2015	Neuhaus	D3/273
6,059,133	A	5/2000	Lai	D732,341	S	* 6/2015	Matharu	D7/300
6,099,872	A	8/2000	Whetstone, Jr.	D735,413	S	7/2015	Smith	
6,193,427	B1	2/2001	Benguigui	D737,136	S	8/2015	Lam	
D443,726	S	6/2001	Failliant-Dumas	D740,493	S	10/2015	David	
6,283,658	B1	9/2001	Estevez et al.	D742,593	S	11/2015	Corey	
6,391,972	B1	5/2002	Hatakeyama	D747,621	S	1/2016	Amerson	
D458,835	S	6/2002	Delli-Venneri	9,232,844	B2	* 1/2016	Thompson	A45D 40/00
				D748,976	S	2/2016	Mitchell	
				D758,867	S	6/2016	Tsai	
				D759,897	S	6/2016	Eberlein et al.	

(56)

References Cited

FOREIGN PATENT DOCUMENTS

U.S. PATENT DOCUMENTS

D760,527 S * 7/2016 Jones D7/300
 D762,329 S 7/2016 Teller et al.
 D763,102 S 8/2016 Pires
 D763,512 S 8/2016 Teller et al.
 D764,105 S 8/2016 Teller et al.
 D764,106 S 8/2016 Teller et al.
 D764,107 S 8/2016 Teller et al.
 D764,108 S 8/2016 Teller et al.
 D764,109 S 8/2016 Teller et al.
 D764,110 S 8/2016 Teller et al.
 D764,111 S 8/2016 Teller et al.
 D764,112 S * 8/2016 Teller D28/82
 D764,113 S 8/2016 Teller et al.
 D764,114 S 8/2016 Teller et al.
 D764,710 S 8/2016 Teller et al.
 D764,711 S 8/2016 Teller et al.
 D764,712 S 8/2016 Teller et al.
 D764,713 S 8/2016 Teller et al.
 D764,714 S 8/2016 Teller et al.
 D766,512 S 9/2016 Teller et al.
 D768,936 S 10/2016 Yoshida
 D768,937 S 10/2016 Yoshida
 D769,533 S 10/2016 Teller et al.
 D770,685 S 11/2016 Teller et al.
 D771,430 S 11/2016 Yip et al.
 D771,873 S 11/2016 Teller
 D777,847 S * 1/2017 Rost D21/680
 D777,979 S * 1/2017 Lozano D28/38
 D777,982 S 1/2017 Son
 D777,983 S * 1/2017 Teller D28/82
 D779,137 S 2/2017 Taylor
 D779,329 S 2/2017 Buogo et al.
 D781,151 S 3/2017 Lerman
 9,585,458 B2 3/2017 Teller et al.
 D787,338 S * 5/2017 Dorsinville D9/519
 D788,372 S 5/2017 Reed et al.
 D788,586 S 6/2017 Molinari
 D789,241 S 6/2017 Cao
 D793,236 S 8/2017 Santos et al.
 D797,190 S 9/2017 Laemle
 D797,553 S 9/2017 Thompson
 D804,099 S 11/2017 Teller et al.
 2002/0003983 A1 1/2002 Gueret
 2002/0008105 A1 1/2002 Herbstreit et al.
 2002/0033397 A1 3/2002 Henson
 2003/0077102 A1 4/2003 Bourjal
 2003/0161851 A1 8/2003 Breha, III et al.
 2004/0005186 A1 1/2004 Ueda et al.
 2006/0081721 A1 * 4/2006 Caserta A01M 1/2044
 239/44
 2006/0201838 A1 9/2006 Sasaki
 2006/0254945 A1 11/2006 Green et al.
 2007/0017915 A1 1/2007 Weder et al.
 2007/0108092 A1 5/2007 Minuto et al.
 2008/0110854 A1 5/2008 Kelly
 2008/0213028 A1 9/2008 Hosokawa et al.
 2009/0022541 A1 1/2009 De LaForce
 2011/0024316 A1 2/2011 Ginsburg
 2011/0135377 A1 6/2011 Teller
 2011/0253731 A1 10/2011 Smith
 2013/0302080 A1 11/2013 Teller et al.
 2013/0322950 A1 12/2013 Teller
 2013/0330427 A1 12/2013 Smigel et al.
 2013/0341832 A1 12/2013 Teller et al.
 2013/0341833 A1 12/2013 Teller et al.
 2014/0013712 A1 1/2014 Teller
 2014/0105666 A1 4/2014 Teller
 2014/0138273 A1 5/2014 Glass
 2015/0037082 A1 2/2015 Pires et al.
 2015/0096919 A1 4/2015 Thompson
 2015/0182004 A1 7/2015 Teller et al.
 2016/0262522 A1 9/2016 Teller et al.
 2016/0295993 A1 10/2016 Wojcik
 2017/0013936 A1 1/2017 Schlatter
 2017/0150802 A1 6/2017 Parlionas

EP 000031679-0001 11/2007
 EP 001710245-0003 8/2010
 EP 003000363-0002 3/2016
 ES 0505578-01 11/2007
 FR 2563711 5/1984
 FR 2766339 7/1997
 FR 040004-001 2/2007
 FR 2925263 12/2007
 GB 446424 10/1935
 GB 2162822 5/1985
 GB 2007213 5/1990
 JP 1136041 3/2002
 JP 455237-001 6/2003
 JP 1175238 6/2003
 JP 2004321410 11/2004
 JP 3914892 2/2007
 KR 300743262-0000 5/2014
 TW D154118 6/2013
 TW D174258 3/2016
 WO WO2007/007288 1/2007

OTHER PUBLICATIONS

U.S. Appl. No. 29/411,933, filed Jan. 2012, Teller.
 U.S. Appl. No. 13/891,264, filed May 2013, Teller.
 U.S. Appl. No. 14/973,717, filed Dec. 2015, Teller.
 U.S. Appl. No. 14/988,740, filed Jan. 2016, Teller.
 U.S. Appl. No. 15/016,257, filed Feb. 2016, Teller.
 U.S. Appl. No. 29/569,183, filed Jun. 2016, Teller.
 U.S. Appl. No. 29/569,184, filed Jun. 2016, Teller.
 U.S. Appl. No. 29/569,185, filed Jun. 2016, Teller.
 U.S. Appl. No. 29/569,186, filed Jun. 2016, Teller et al.
 U.S. Appl. No. 29/569,187, filed Jun. 2016, Dubitsky et al.
 U.S. Appl. No. 29/573,625, filed Aug. 2016, Teller et al.
 U.S. Appl. No. 29/573,688, filed Aug. 2016, Teller et al.
 U.S. Appl. No. 29/573,703, filed Aug. 2016, Teller et al.
 U.S. Appl. No. 29/573,710, filed Aug. 2016, Teller et al.
 U.S. Appl. No. 29/573,712, filed Aug. 2016, Teller et al.
 U.S. Appl. No. 29/573,717, filed Aug. 2016, Teller et al.
 U.S. Appl. No. 29/573,719, filed Aug. 2016, Teller et al.
 U.S. Appl. No. 29/573,721, filed Aug. 2016, Teller et al.
 U.S. Appl. No. 29/573,723, filed Aug. 2016, Teller et al.
 U.S. Appl. No. 29/573,726, filed Aug. 2016, Teller et al.
 U.S. Appl. No. 15/232,450, filed Aug. 2016, Teller et al.
 U.S. Appl. No. 29/577,625, filed Sep. 2016, Teller et al.
 U.S. Appl. No. 29/577,649, filed Sep. 2016, Teller et al.
 U.S. Appl. No. 29/577,656, filed Sep. 2016, Teller et al.
 U.S. Appl. No. 29/577,660, filed Sep. 2016, Teller et al.
 U.S. Appl. No. 29/577,663, filed Sep. 2016, Teller et al.
 U.S. Appl. No. 29/577,666, filed Sep. 2016, Teller et al.
 U.S. Appl. No. 29/593,433, filed Feb. 2017, Teller et al.
 U.S. Appl. No. 29/593,445, filed Feb. 2017, Teller et al.
 U.S. Appl. No. 29/593,450, filed Feb. 2017, Teller et al.
 U.S. Appl. No. 29/593,453, filed Feb. 2017, Teller et al.
 U.S. Appl. No. 29/593,454, filed Feb. 2017, Teller et al.
 U.S. Appl. No. 29/593,456, filed Feb. 2017, Teller et al.
 U.S. Appl. No. 15/487,057, filed Apr. 2017, Teller et al.
 U.S. Appl. No. 29/600,564, filed Apr. 2017, Teller et al.
 U.S. Appl. No. 29/500,571, filed Apr. 2017, Teller et al.
 NPL #1: 5 Minute Lip Balm with EOS Container, posted at youtube.com by WhatsUpMoms, published Apr. 17, 2015 © Standard YouTube License, online, site visited Sep. 25, 2017. Available from Internet, URL: <https://www.youtube.com/watch?v=p3aGGwh>.
 Search Report dated Oct. 27, 2017 from ROC (Taiwan) Application No. 106301253.
 Born Pretty Store, "50Pcs/set Dry Wet Amphibious Sponge Powder Puff Round Rectangle Puff Beauty Makeup Tool", Accessed Nov. 14, 2016. (<http://www.bornprettystore.com/50pcsset-amphibious-sponge-powder-puff-round-rectangle-puff-beauty-makeup-tool-p-34825.html>).

(56)

References Cited

OTHER PUBLICATIONS

Born Pretty Store, “IPc Pro Powder Puff Beauty Cute Egg Shape Sponge Make-up Foundation Makeup (Random Color)”, Accessed Nov. 14, 2016. (<http://www.bornprettystore.com/powder-puff-beauty-cute-shape-sponge-make-foundation-makeuprandom-color-p-20027.html>).

EP 2509461 Observations by Third Parties; Jun. 9, 2015.

Third Party Observations in Application No. EP20100836463; Jun. 15, 2015.

Letter from Oralab’s Counsel regarding ITC Case; Jul. 20, 2015.

EP 2509461 Observations by Third Parties; Jan. 29, 2016.

EP 2509461 Observations by Third Parties; Jun. 30, 2016.

Lancome Baume Baiser (date unclear—for purpous of examination—please consider as prior art).

Letter from John L. Welsh enclosing Draft IPR Petition; Jul. 27, 2015.

Webpage from www.amazon.com showing “Lancome Baume Baiser Hydrating Balm Sensual Massage for Lips” product and images (3 pages).

Webpage <http://www.musingsofamuse.com/2009/10/beauty-on-a-budget-eos-lip-b-alm-review.html>, Oct. 1, 2009.

Jackson, Junkie Obsession: Lanca’ me’s Baume Baiser, Aug. 13, 2007.

Refill for the EOS Lip Balm, posted at Fresh-Picked Beauty, published Jun. 17, 2014.

* cited by examiner

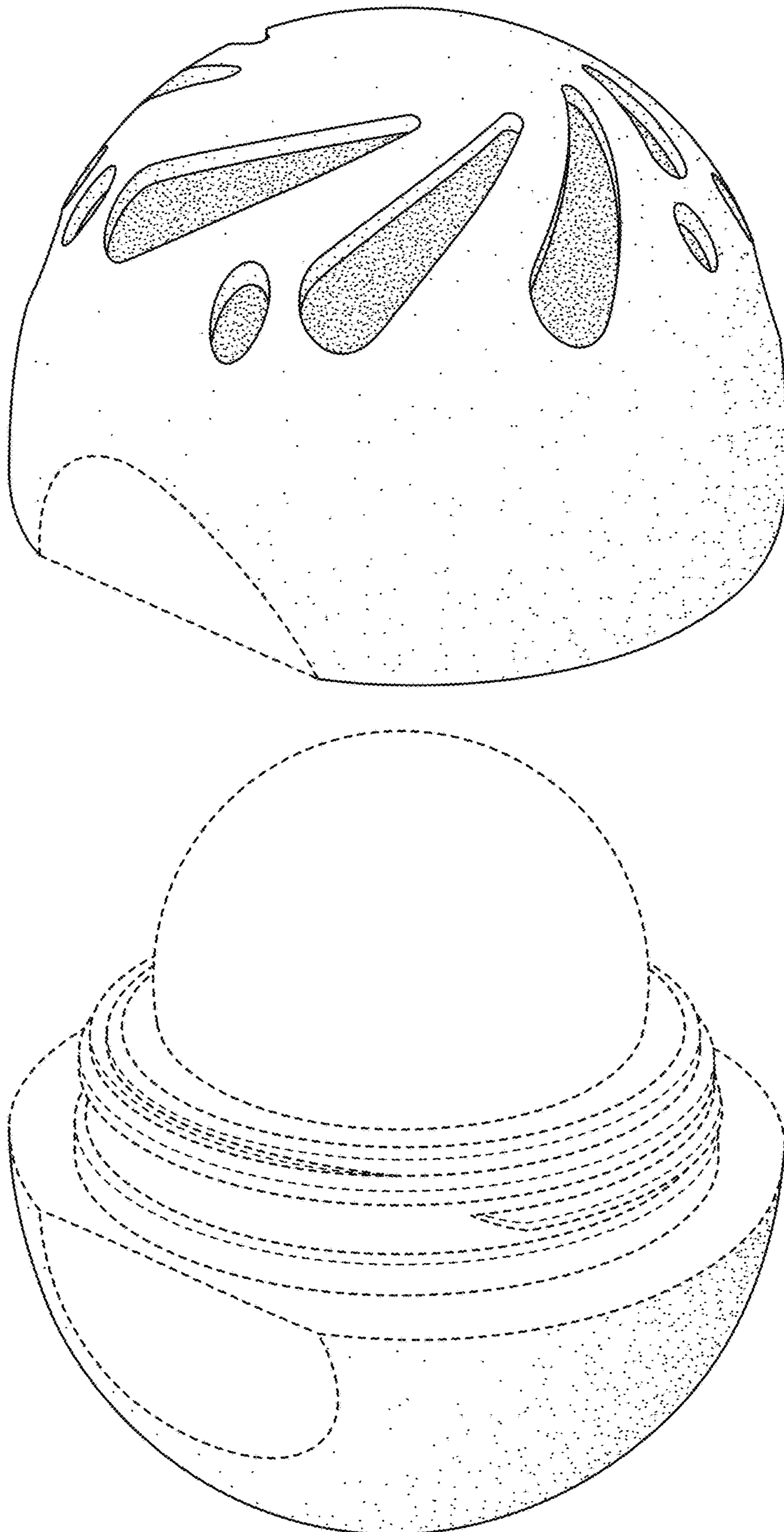


FIG. 1

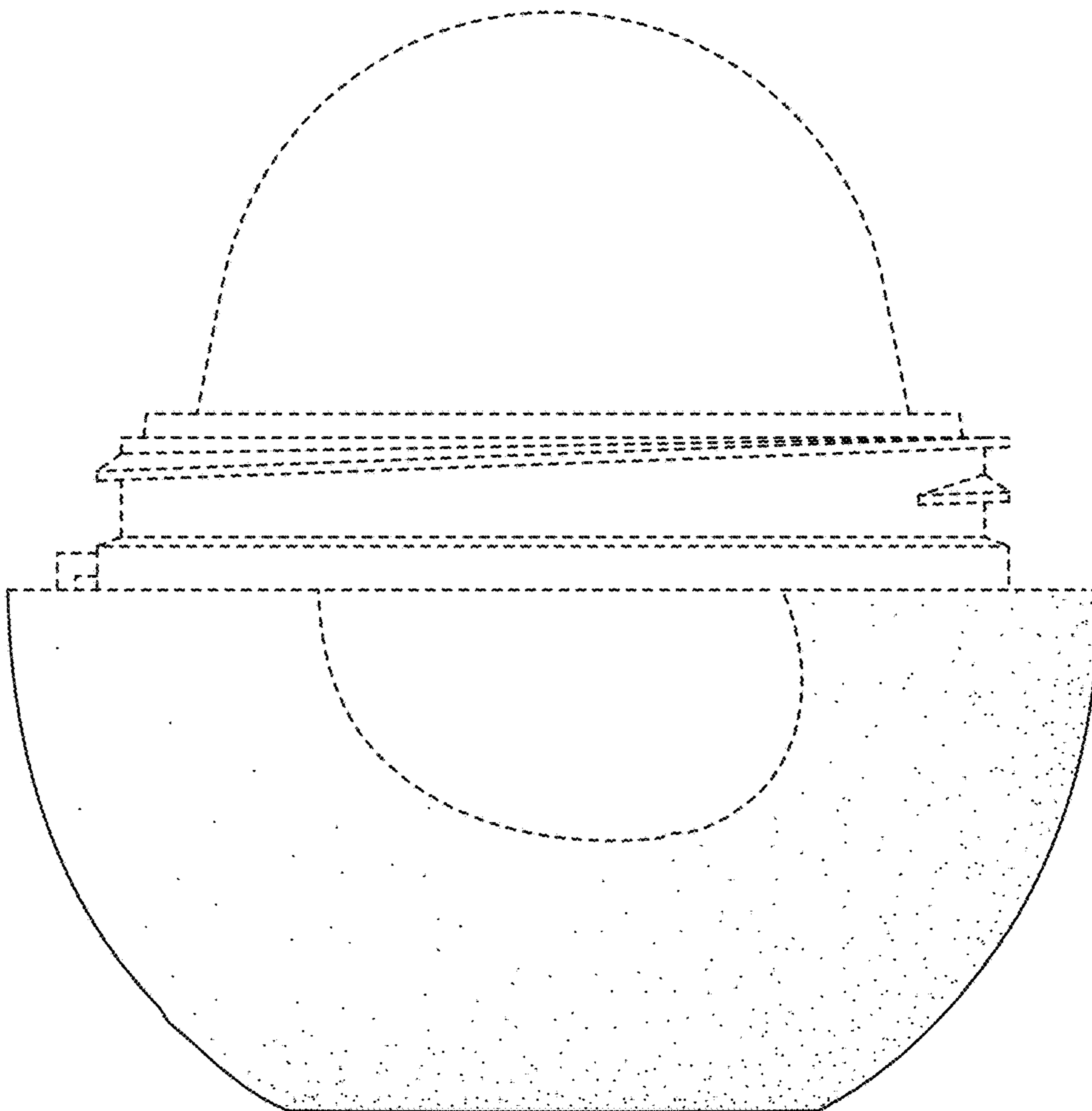
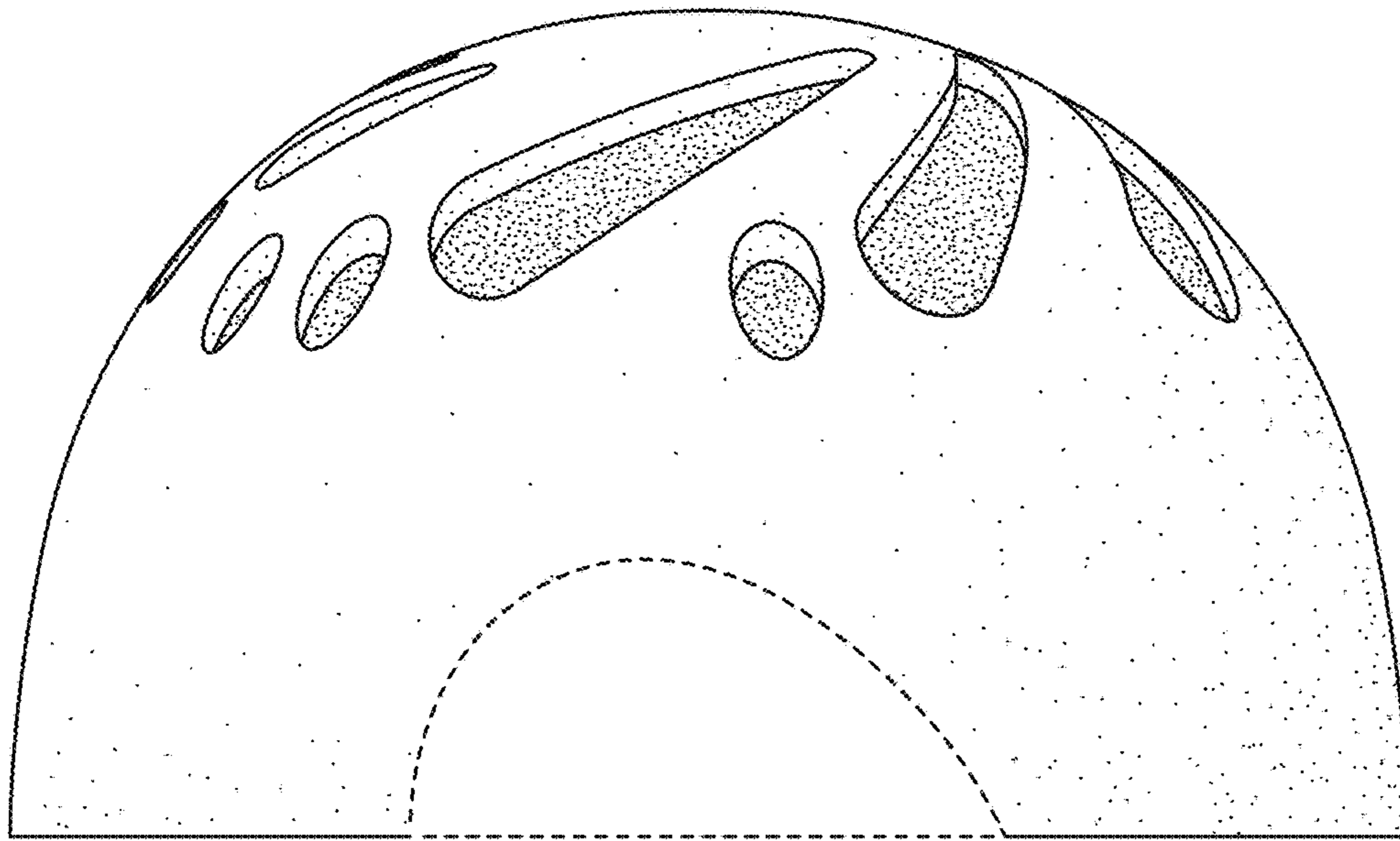


FIG. 2

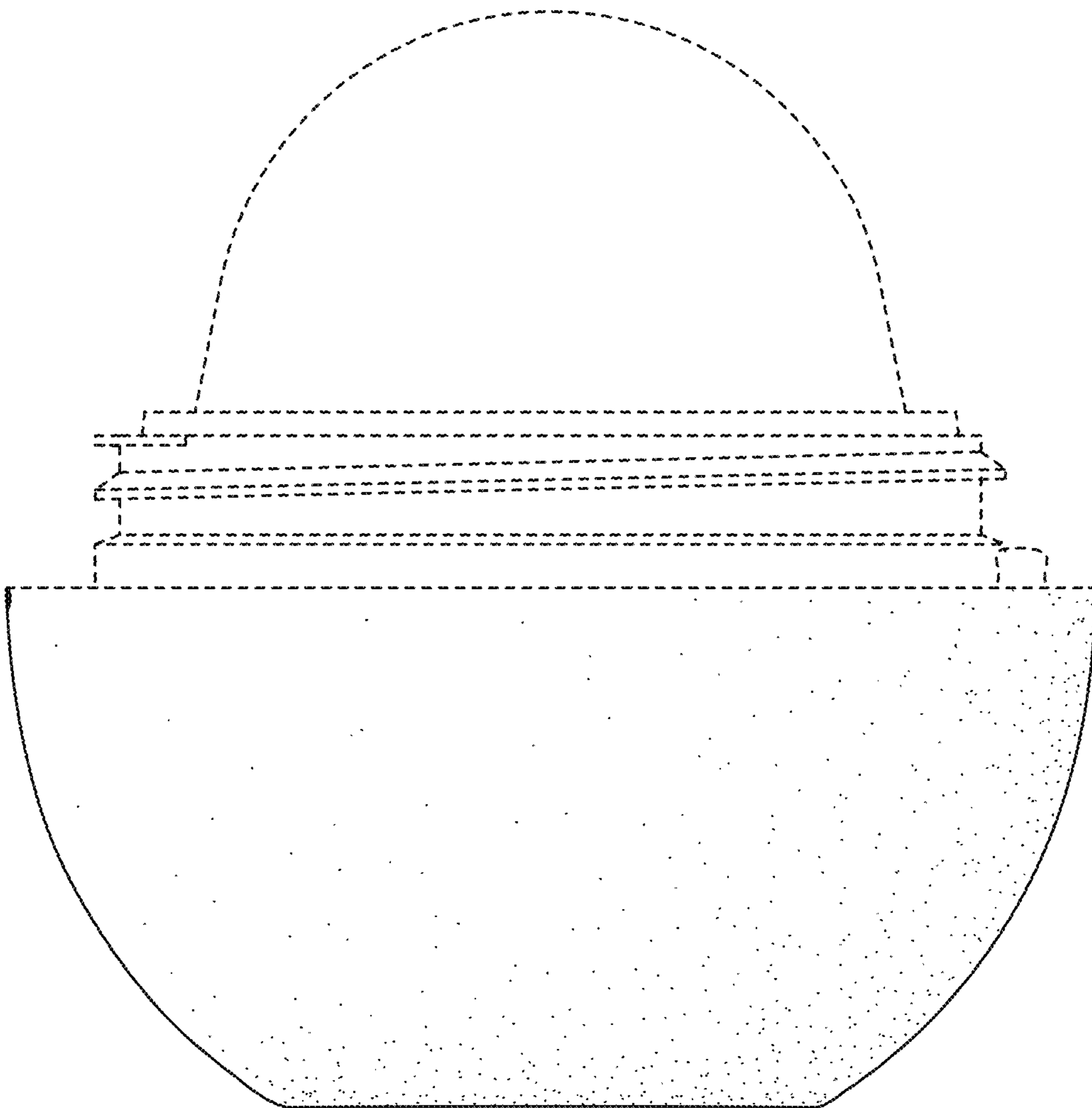
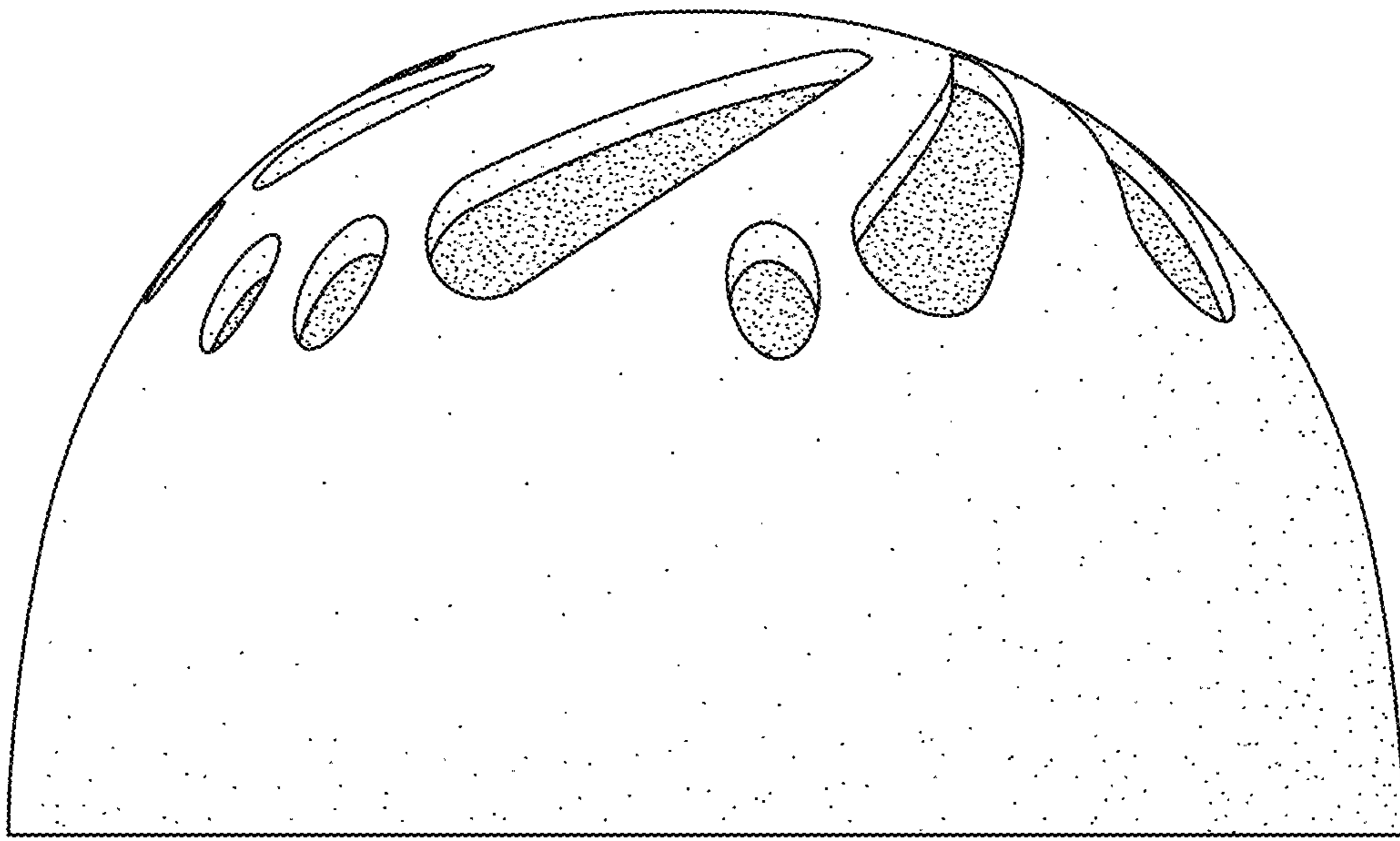


FIG. 3

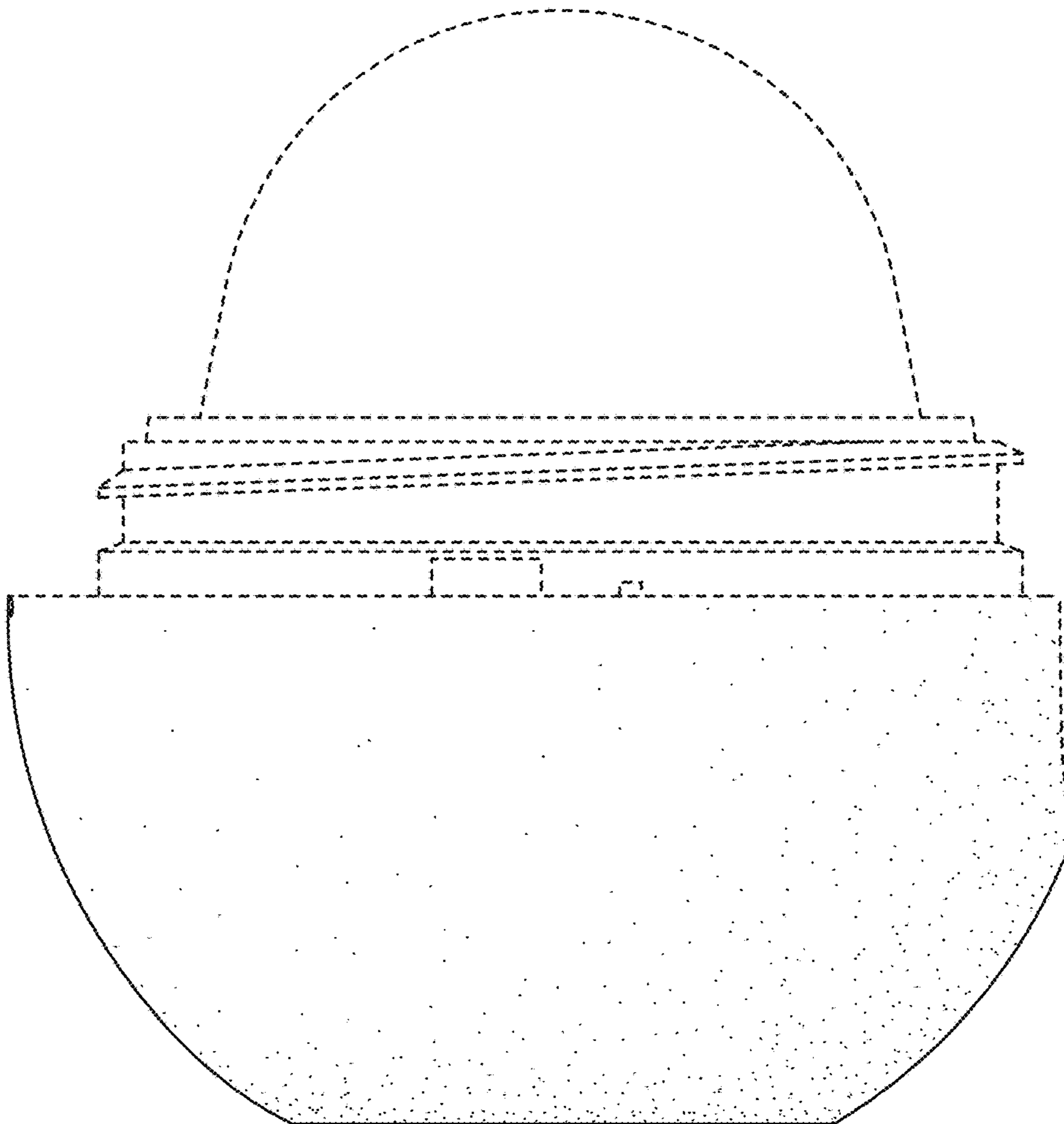
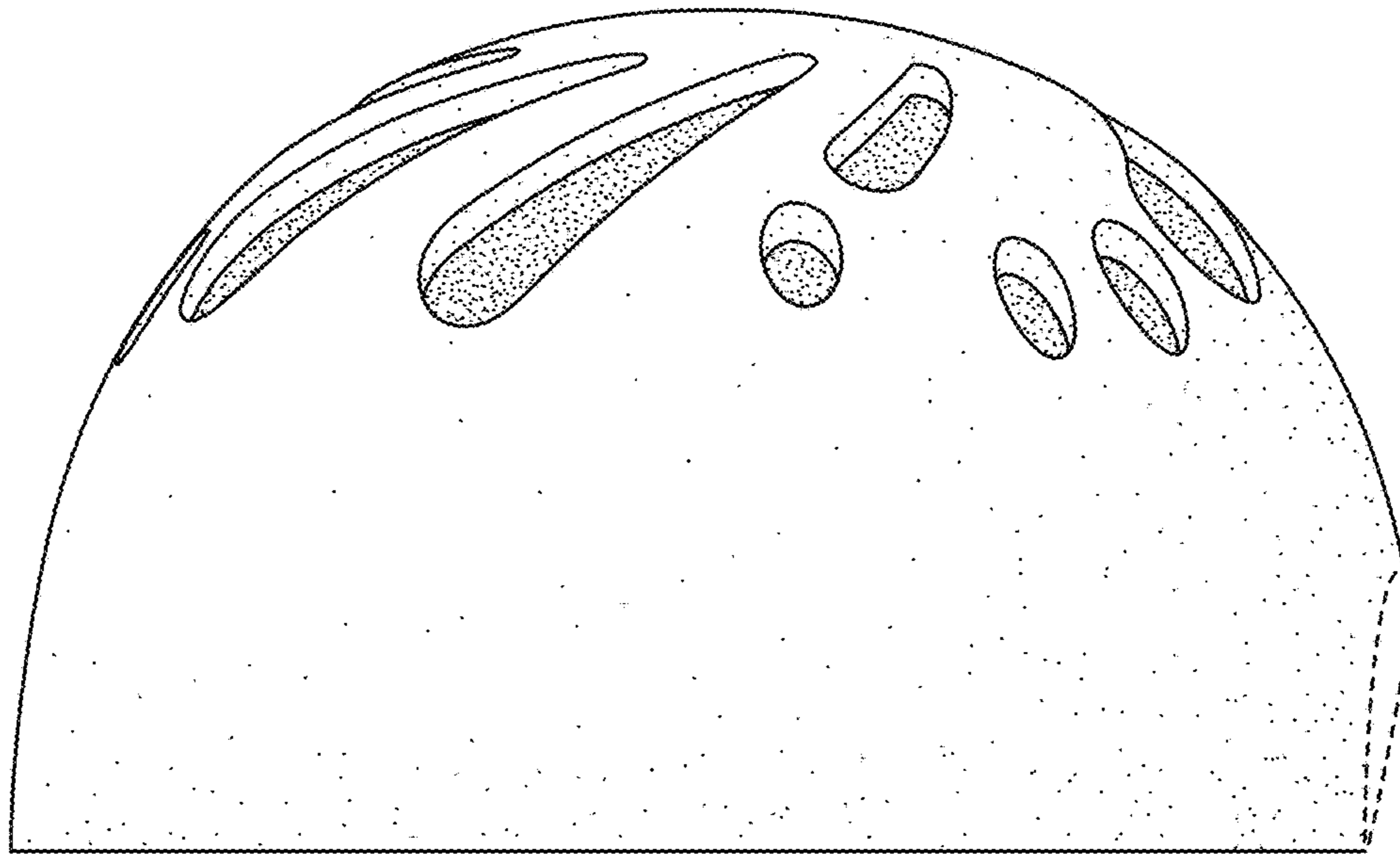


FIG. 4

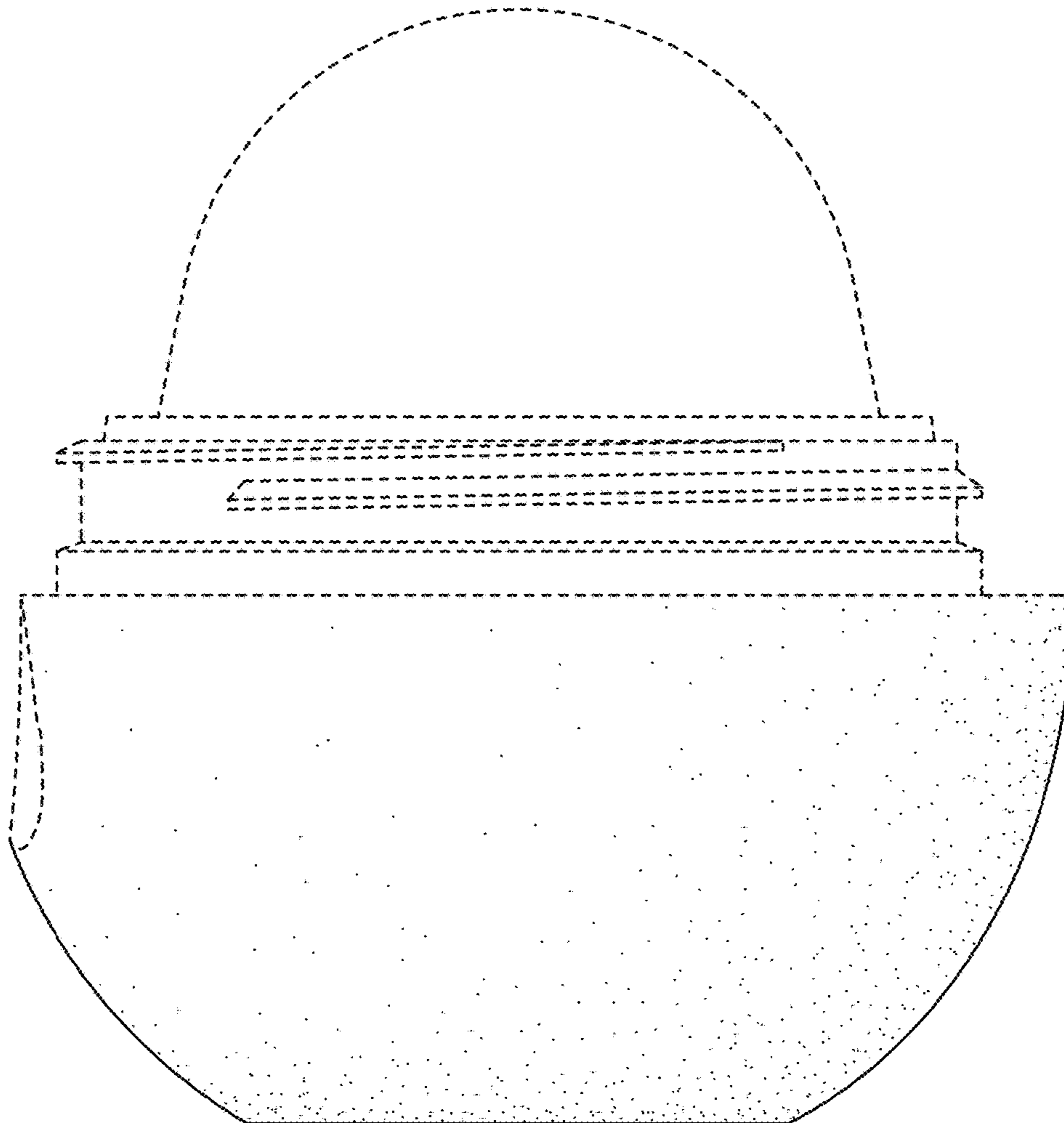
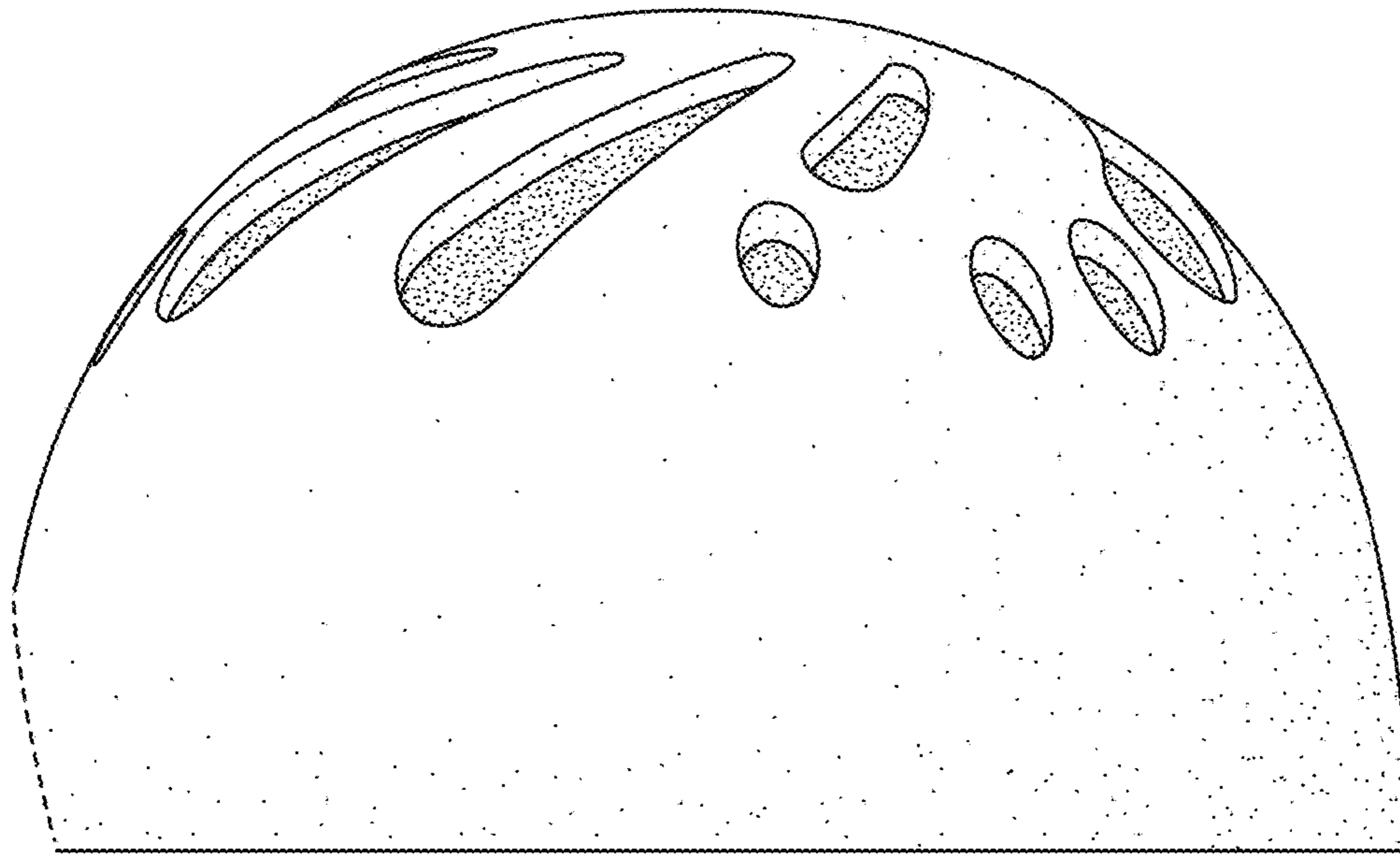


FIG. 5

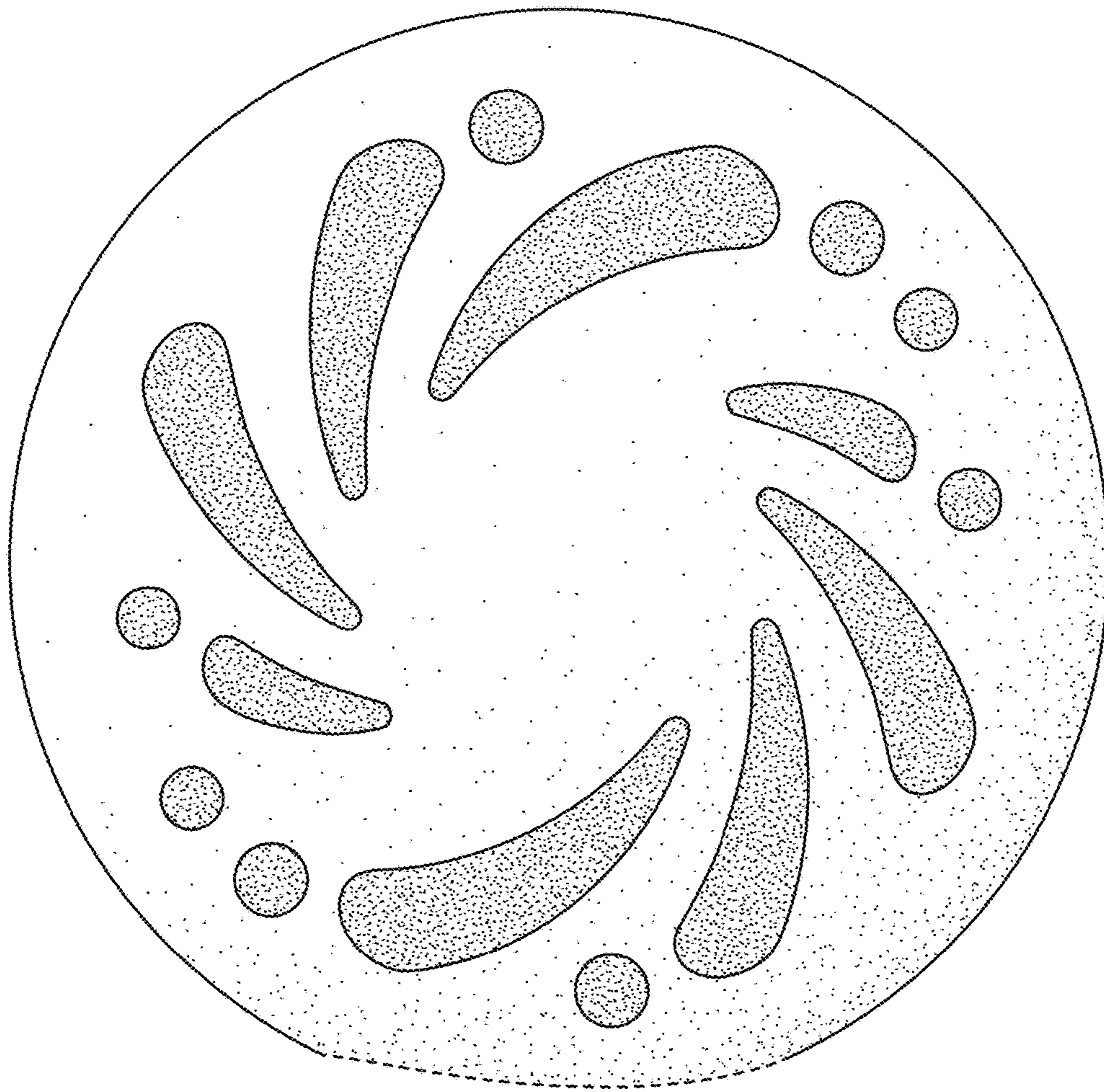


FIG. 6

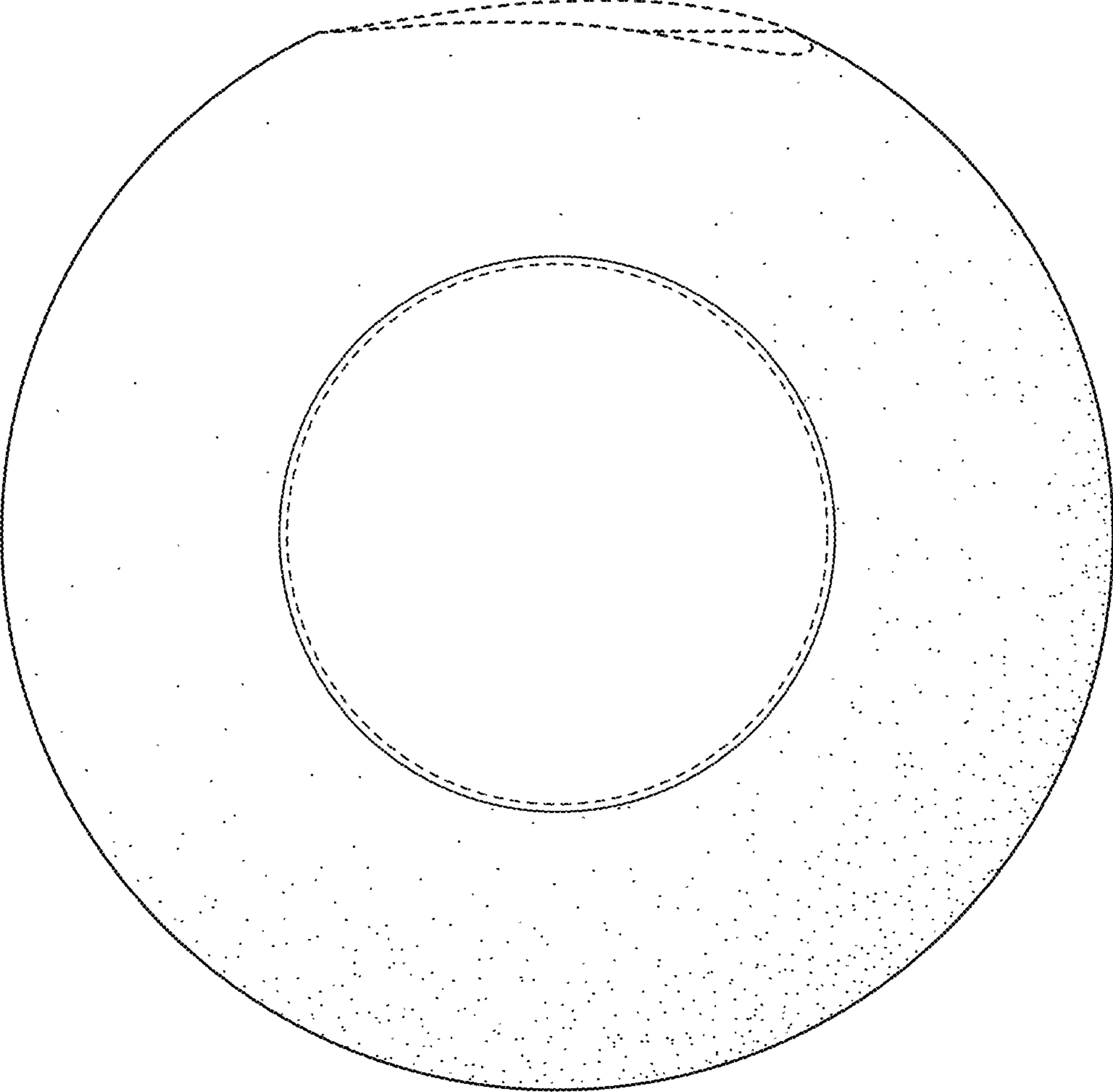


FIG. 7