



US00D827934S

(12) **United States Design Patent** (10) **Patent No.:** **US D827,934 S**
Kudo (45) **Date of Patent:** **** Sep. 4, 2018**

(54) **CONTAINER FOR COSMETICS WITH APPLICATOR**

(71) Applicant: **TOKIWA CORPORATION**, Gifu (JP)

(72) Inventor: **Saori Kudo**, Kawaguchi (JP)

(**) Term: **15 Years**

(21) Appl. No.: **35/502,894**

(22) Filed: **Oct. 26, 2016**

(80) **Hague Agreement Data**

Int. Filing Date: **Oct. 26, 2016**
Int. Reg. No.: **DM/094039**
Int. Reg. Date: **Oct. 26, 2016**
Int. Reg. Pub. Date: **Apr. 28, 2017**

(30) **Foreign Application Priority Data**

May 9, 2016 (JP) 2016-009778

(51) **LOC (11) Cl.** **28-03**

(52) **U.S. Cl.**
USPC **D28/78**

(58) **Field of Classification Search**
USPC D28/76-84

(Continued)

(56) **References Cited**

U.S. PATENT DOCUMENTS

D306,503 S * 3/1990 Bakic D28/78
D318,144 S * 7/1991 Scarpa D28/78

(Continued)

Primary Examiner — Zenia I Bennett

(57) **CLAIM**

The ornamental design for a container for cosmetics with applicator, as shown and described.

DESCRIPTION

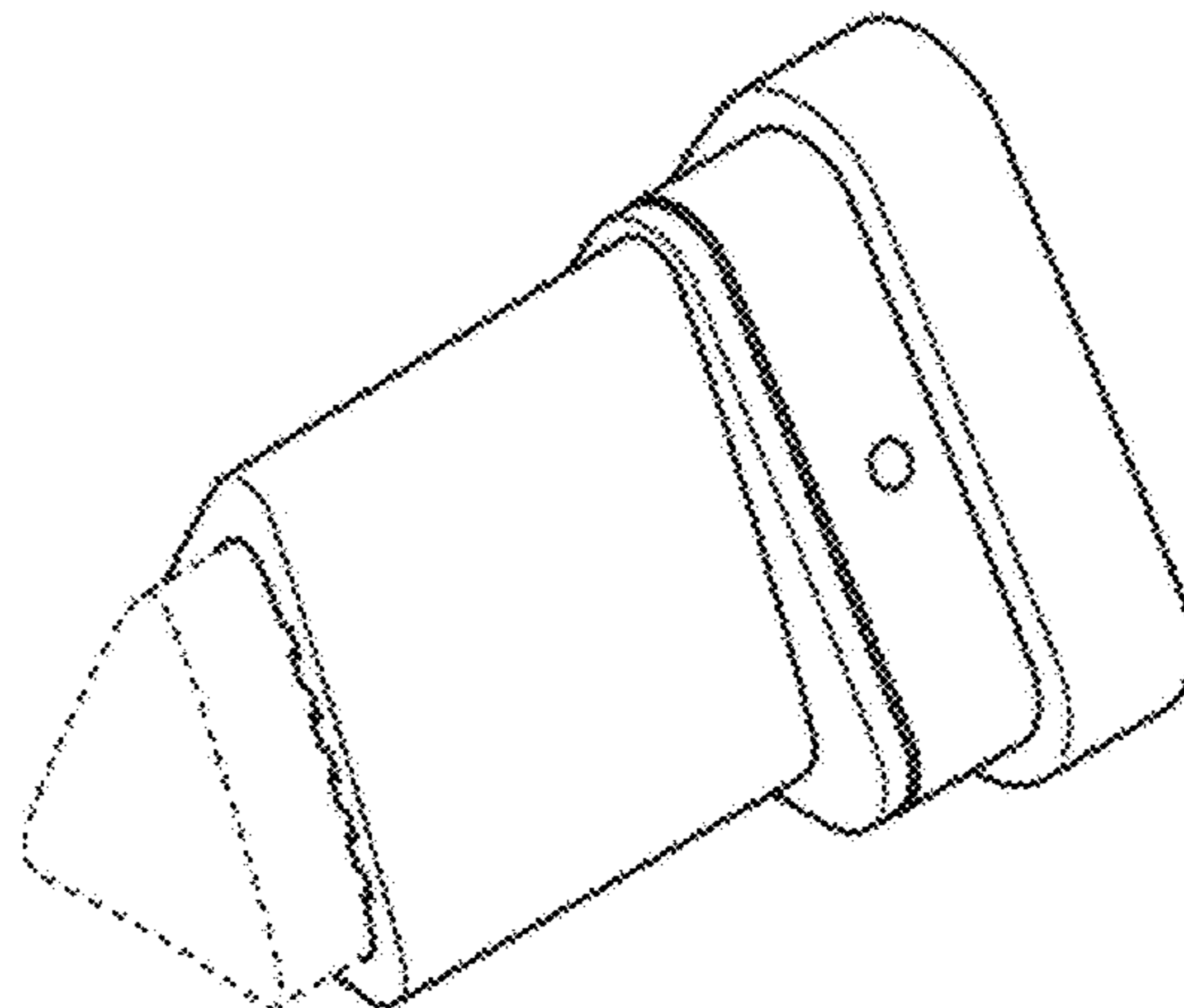
1. Container for cosmetics with applicator

1.1 : Front

- 1.2** : Back
- 1.3** : Top
- 1.4** : Bottom
- 1.5** : Right
- 1.6** : Left
- 1.7** : Perspective
- 1.8** : Cross-sectional
- 1.9** : Cross-sectional
- 1.10** : Front view of the main body
- 1.11** : Back view of the main body
- 1.12** : Top view of the main body
- 1.13** : Bottom view of the main body
- 1.14** : Right view of the main body
- 1.15** : Left view of the main body
- 1.16** : Perspective view of the main body
- 1.17** : Front view of the applicator
- 1.18** : Back view of the applicator
- 1.19** : Top view of the applicator
- 1.20** : Bottom view of the applicator
- 1.21** : Right view of the applicator
- 1.22** : Left view of the applicator
- 1.23** : Perspective view of the applicator

The article is a container for cosmetics (a compact) having a cosmetic applicator; the applicator is housed in an applicator housing part of a main body, and is removed from the main body when a user applies cosmetics; the parts shown in dotted lines do not form part of the claimed design; the reproduction numbered **1.8** is a cross-sectional view sectioned vertically at the center of the front view numbered **1.1**; the reproduction numbered **1.9** is a cross-sectional view sectioned horizontally at the center of the front view numbered **1.1**; the reproduction numbered **1.10** is a front view of the main body with the cover opened; the reproduction numbered **1.11** is a back view of the main body with the cover opened; the reproduction numbered **1.12** is a top view of the main body with the cover opened; the reproduction numbered **1.13** is a bottom view of the main body with the cover opened; the reproduction numbered **1.14** is a right view of the main body with the cover opened; the reproduction numbered **1.15** is a left view of the main body with the cover opened; the reproduction numbered **1.16** is a perspective view of the main body with the cover opened.

1 Claim, 23 Drawing Sheets



(58) **Field of Classification Search**

CPC A45D 33/00–33/003; A45D 33/006; A45D
33/008; A45D 33/02; A45D 33/025;
A45D 33/06–33/10; A45D 33/16; A45D
33/18; A45D 33/20; A45D 33/22; A45D
33/24; A45D 33/26; A45D 33/28; A45D
40/00; A45D 40/22–40/24; A45D 40/0075

See application file for complete search history.

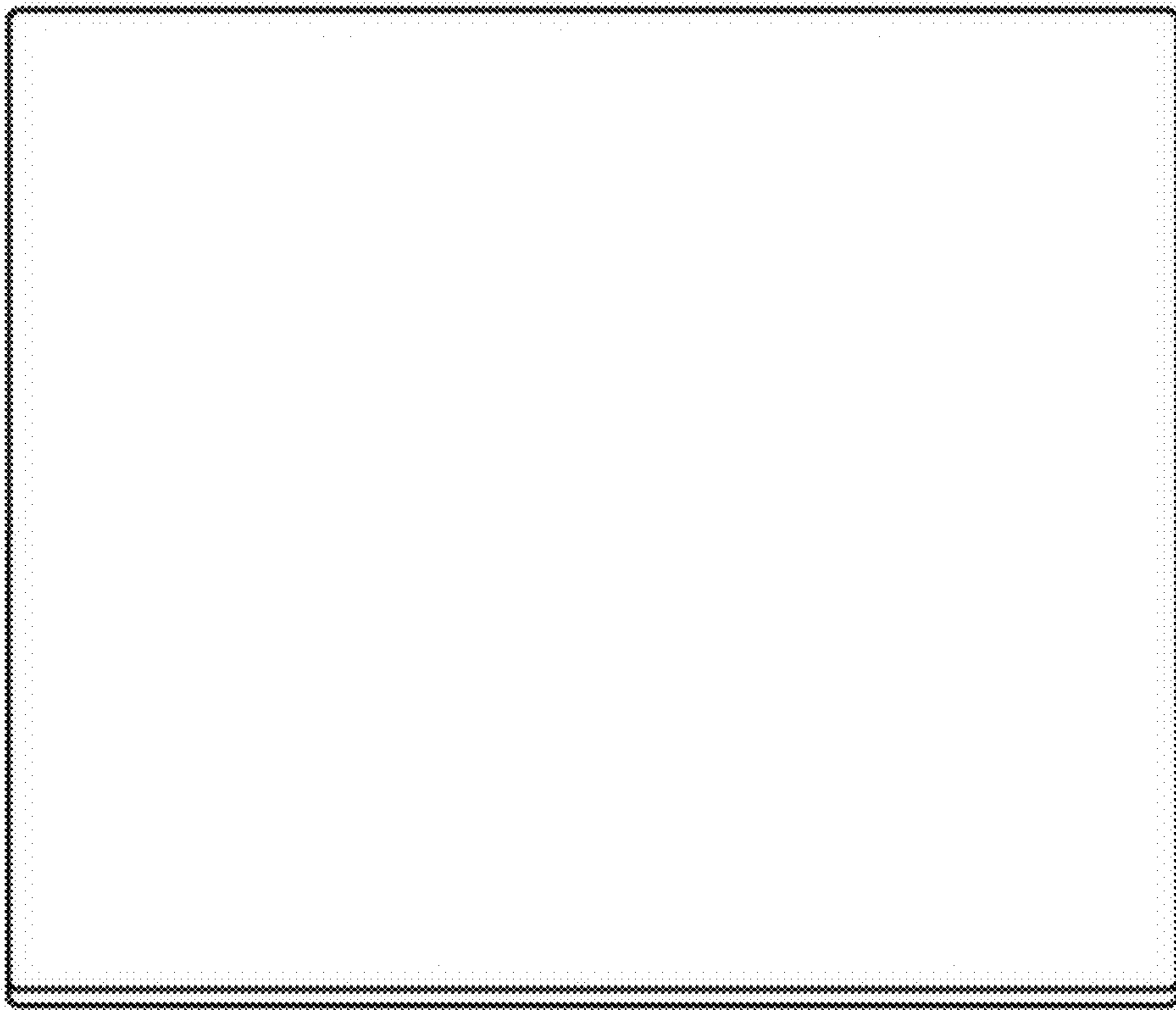
(56) **References Cited**

U.S. PATENT DOCUMENTS

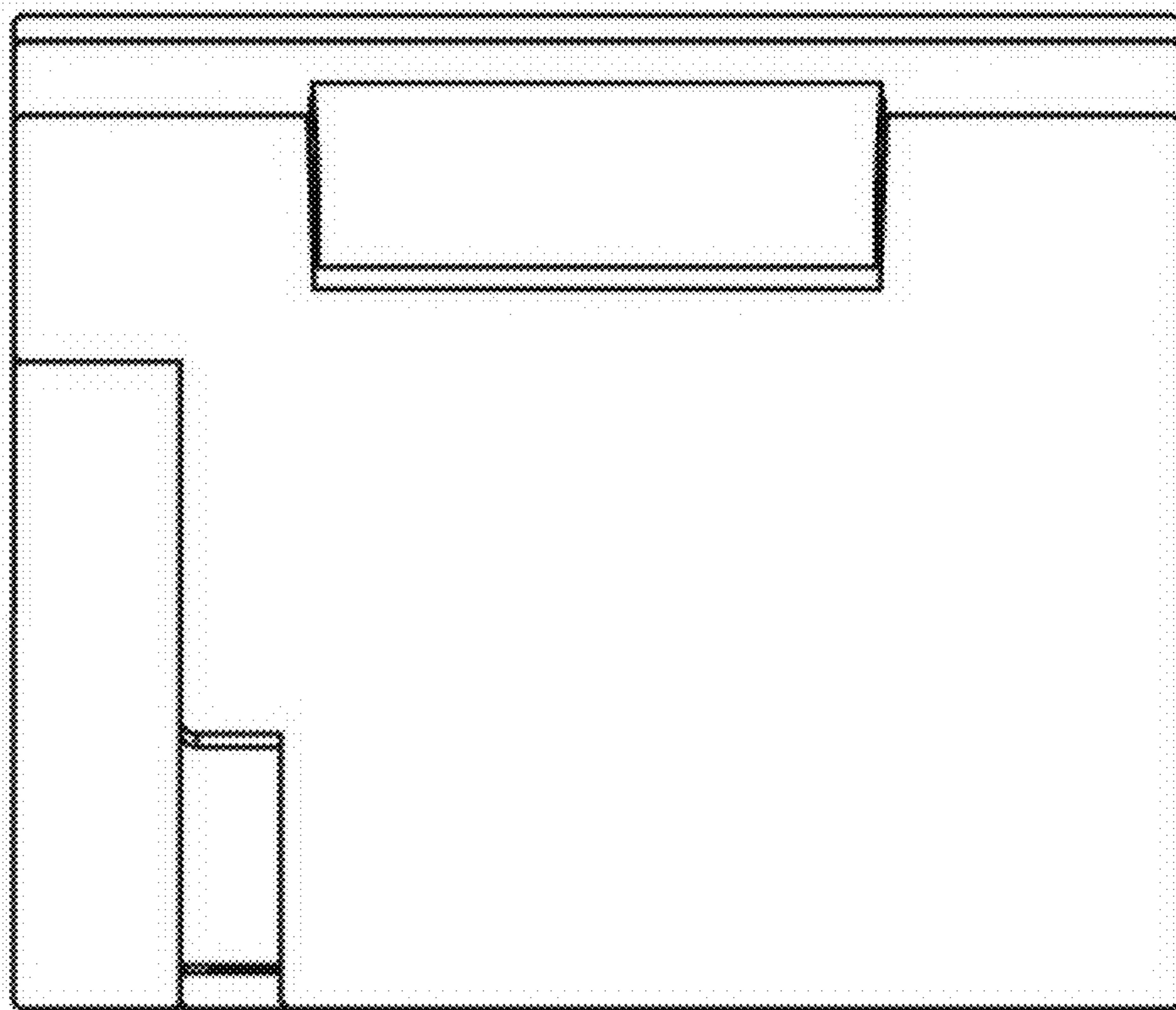
D370,306	S	*	5/1996	Stevens	D28/78
D414,299	S	*	9/1999	Lai	D28/77
D468,059	S	*	12/2002	Fuller	D28/77
D517,733	S	*	3/2006	Tsai	D28/78
D578,710	S	*	10/2008	Genovese	D28/78
D651,350	S	*	12/2011	Paquet	D28/83

* cited by examiner

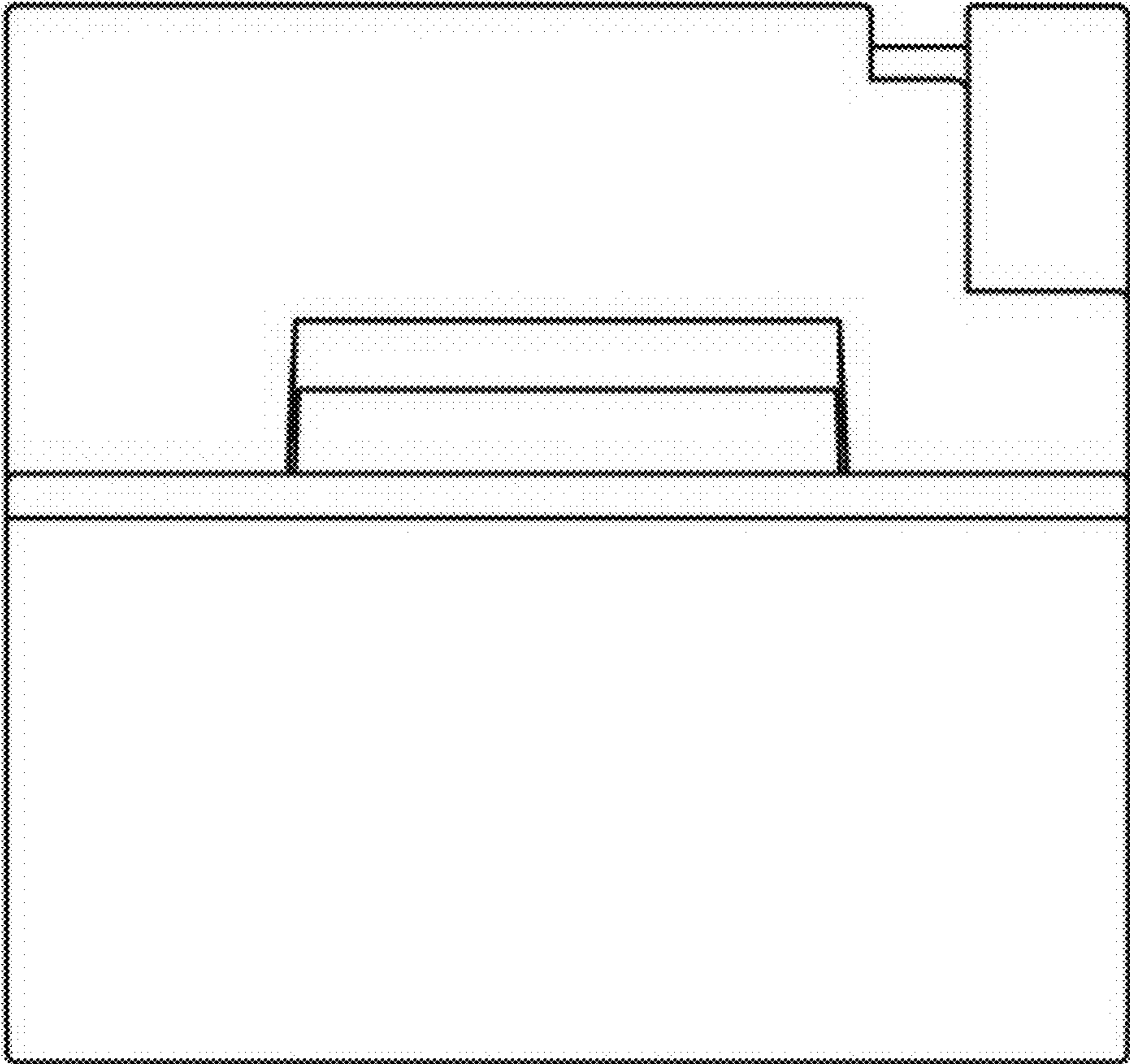
1.1



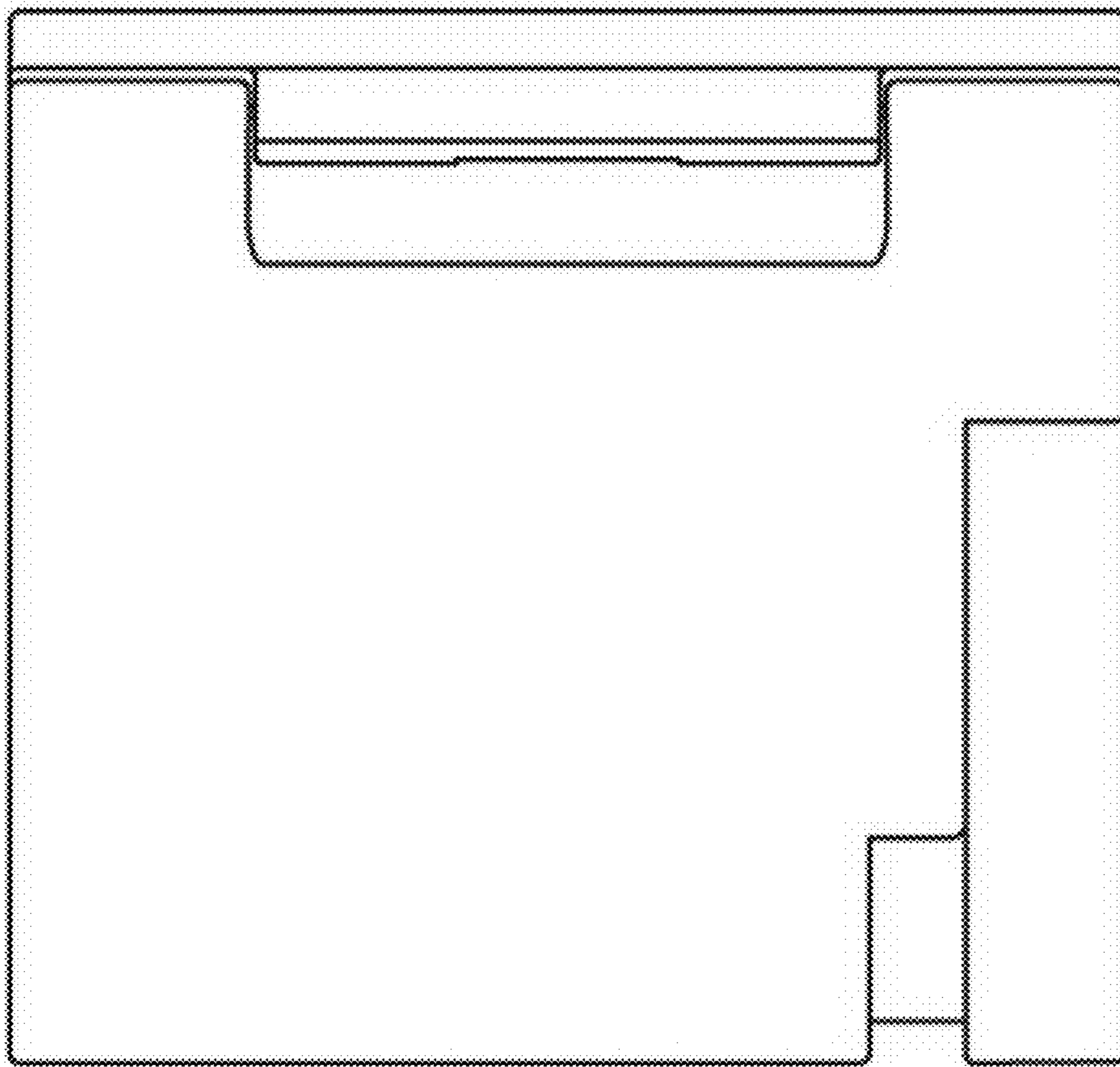
1.2



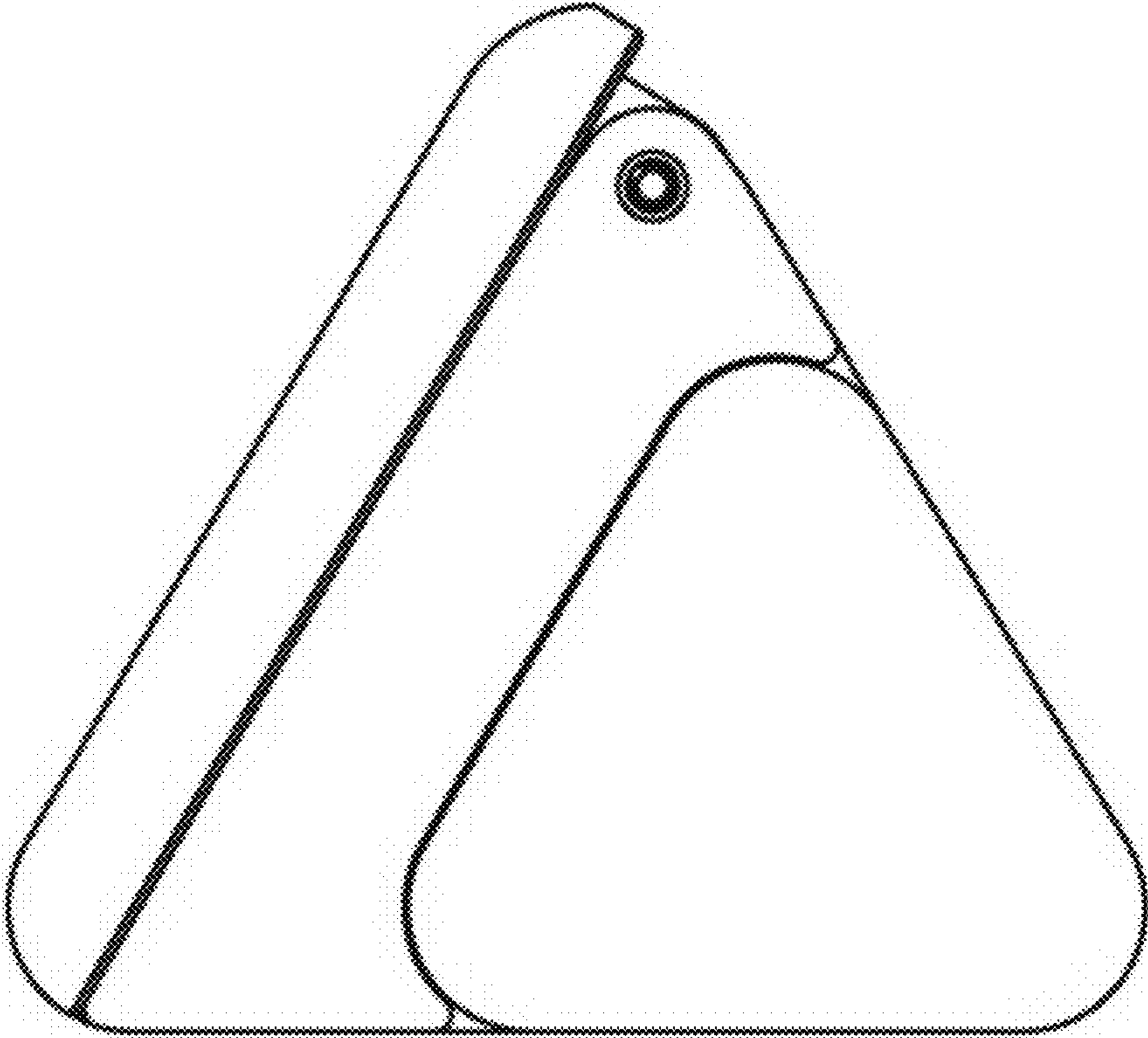
1.3



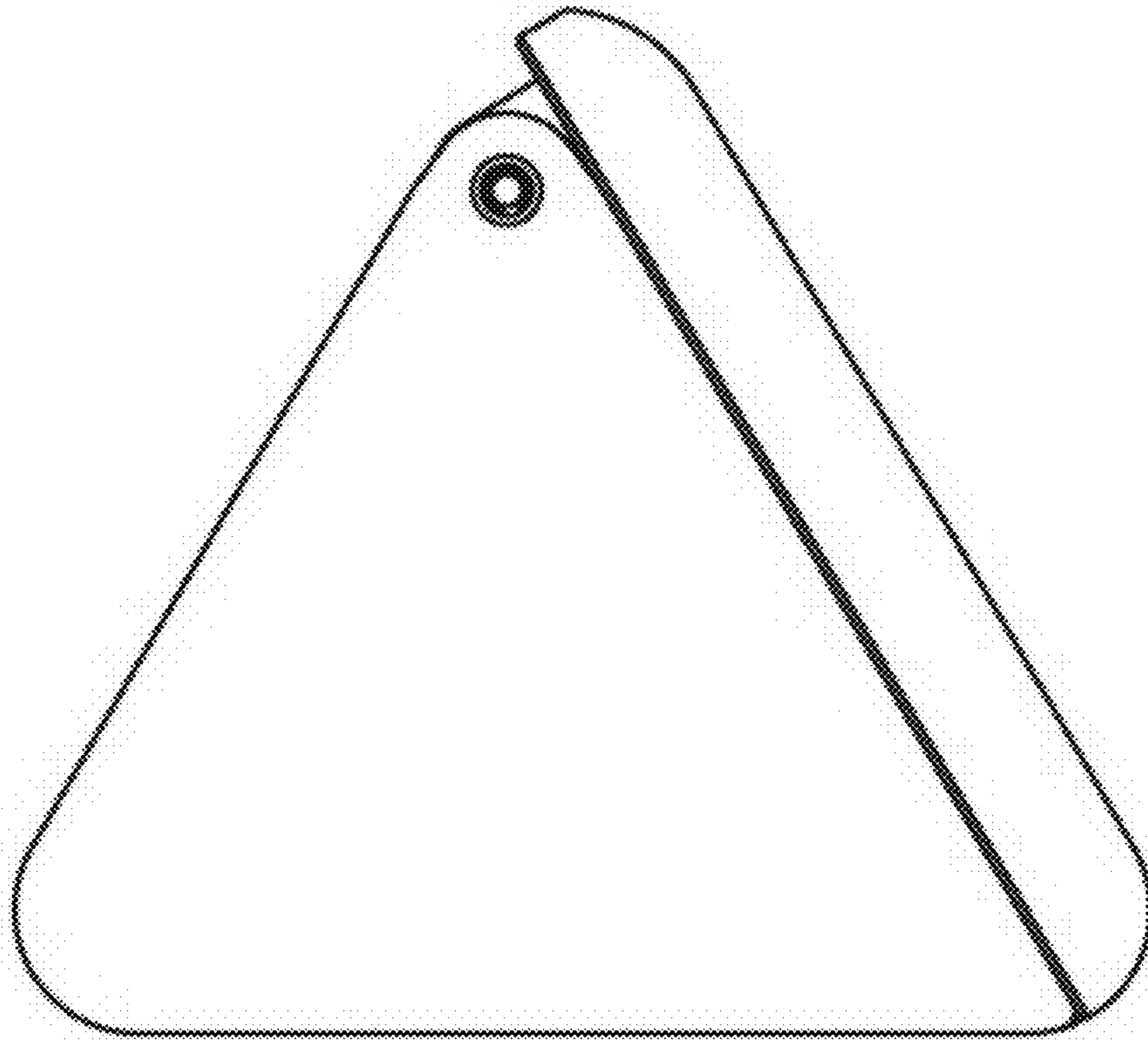
1.4



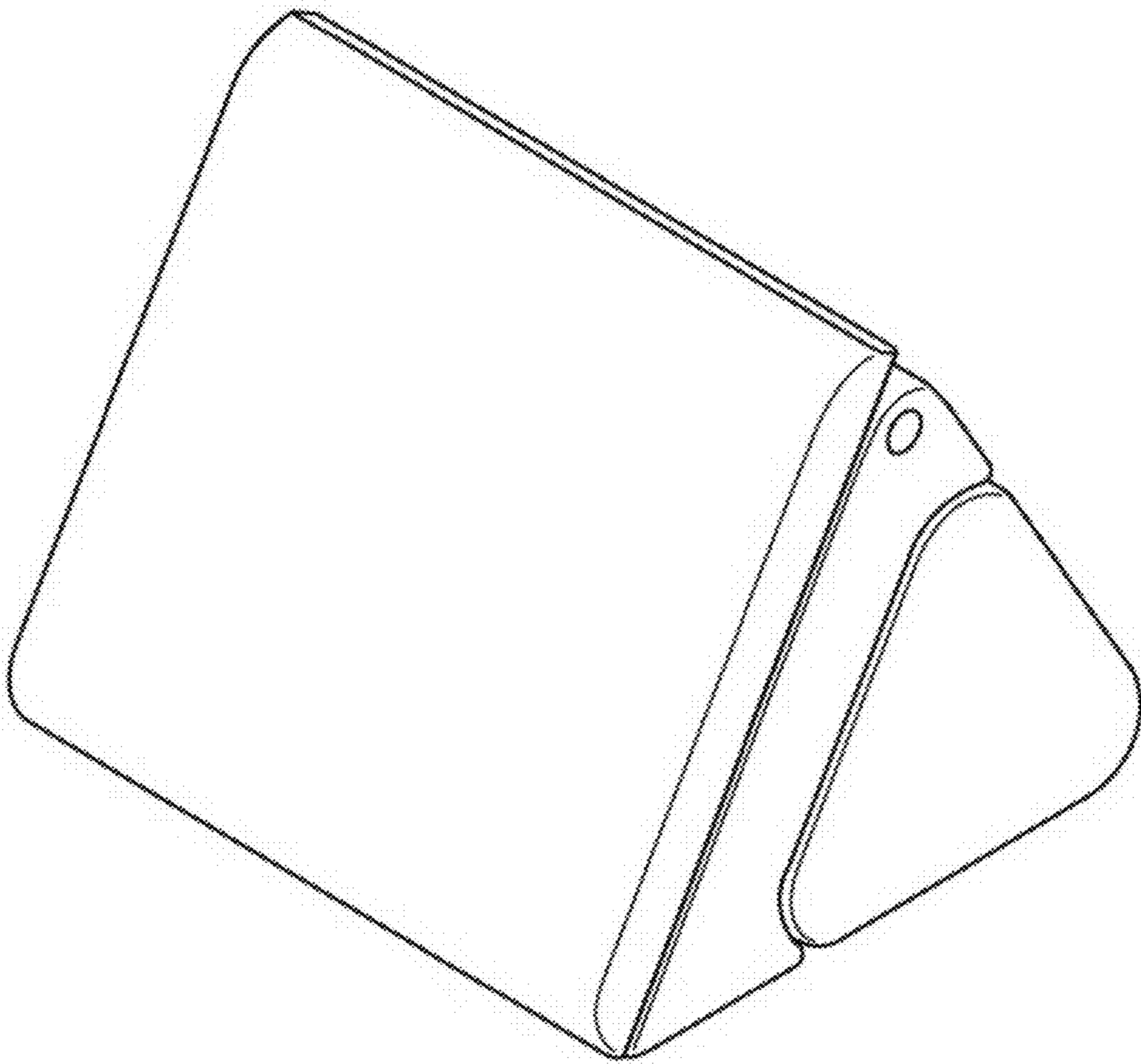
1.5



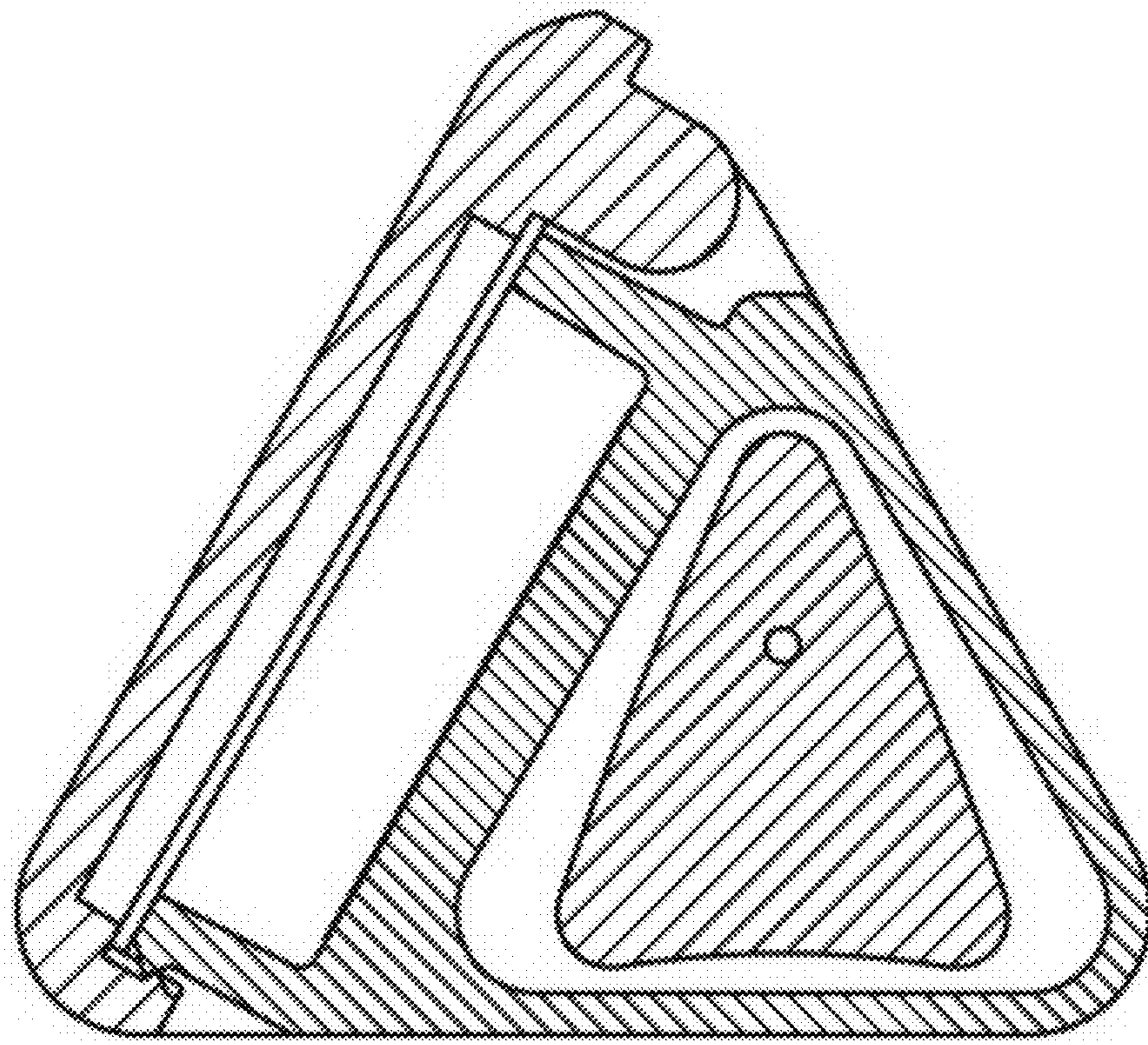
1.6



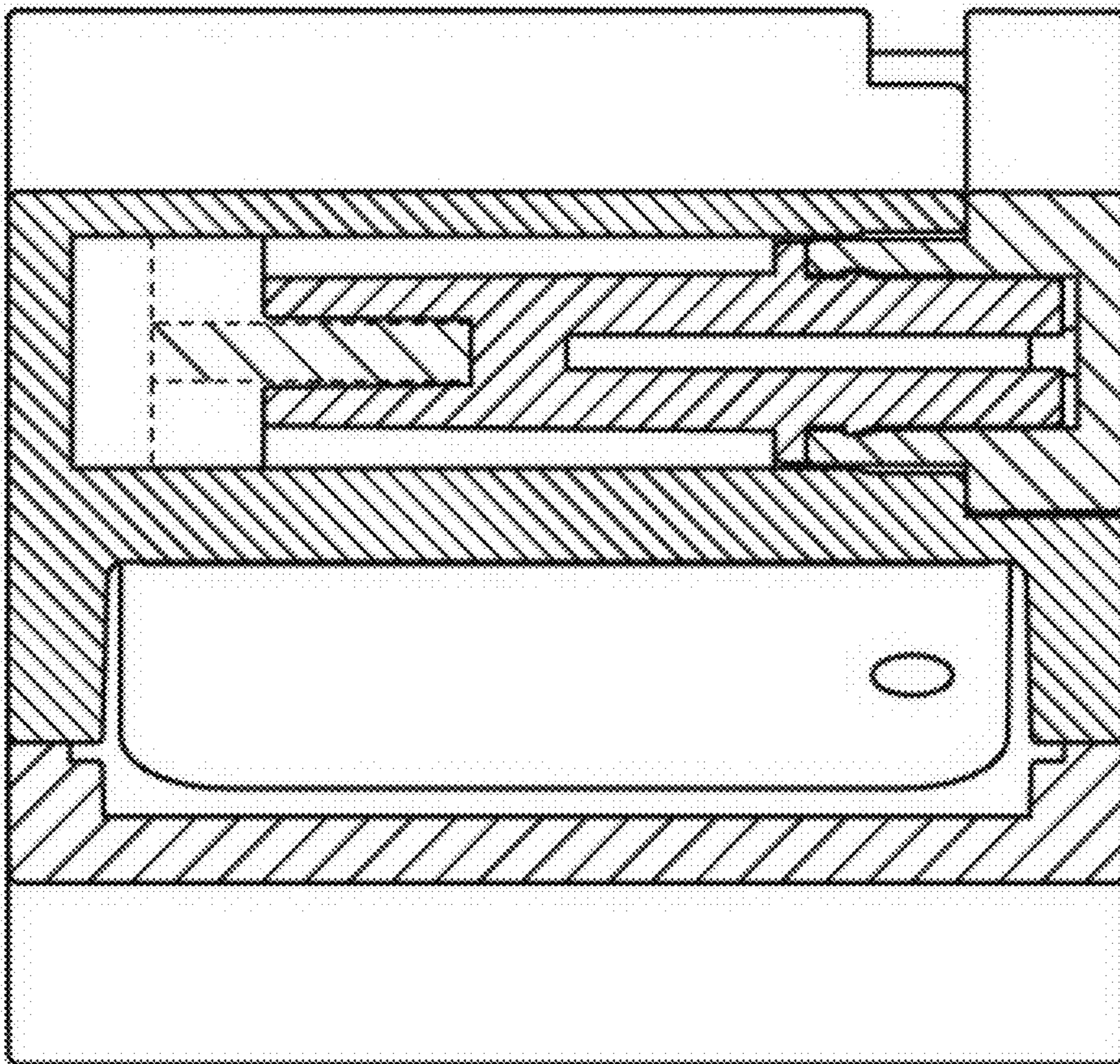
1.7



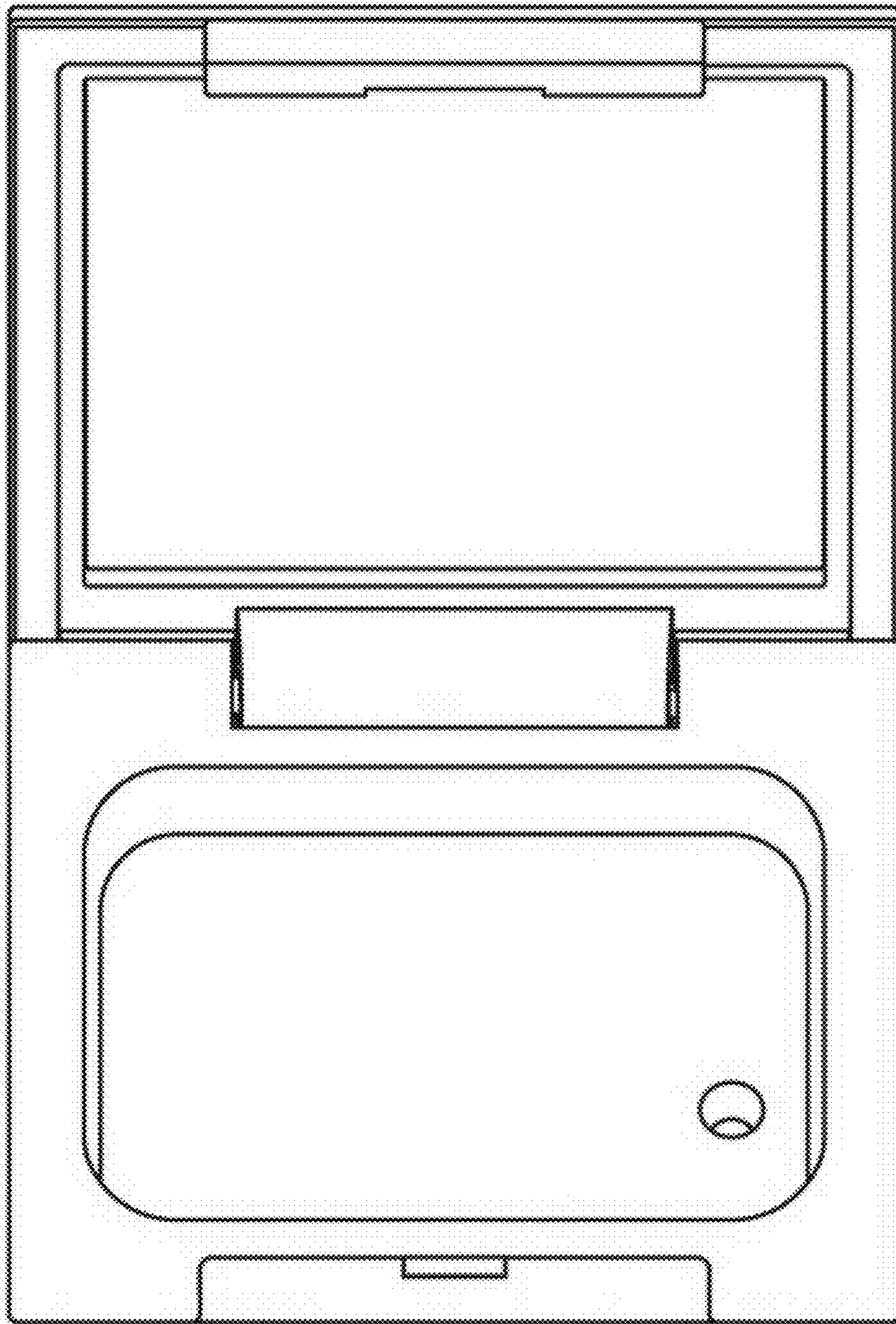
1.8



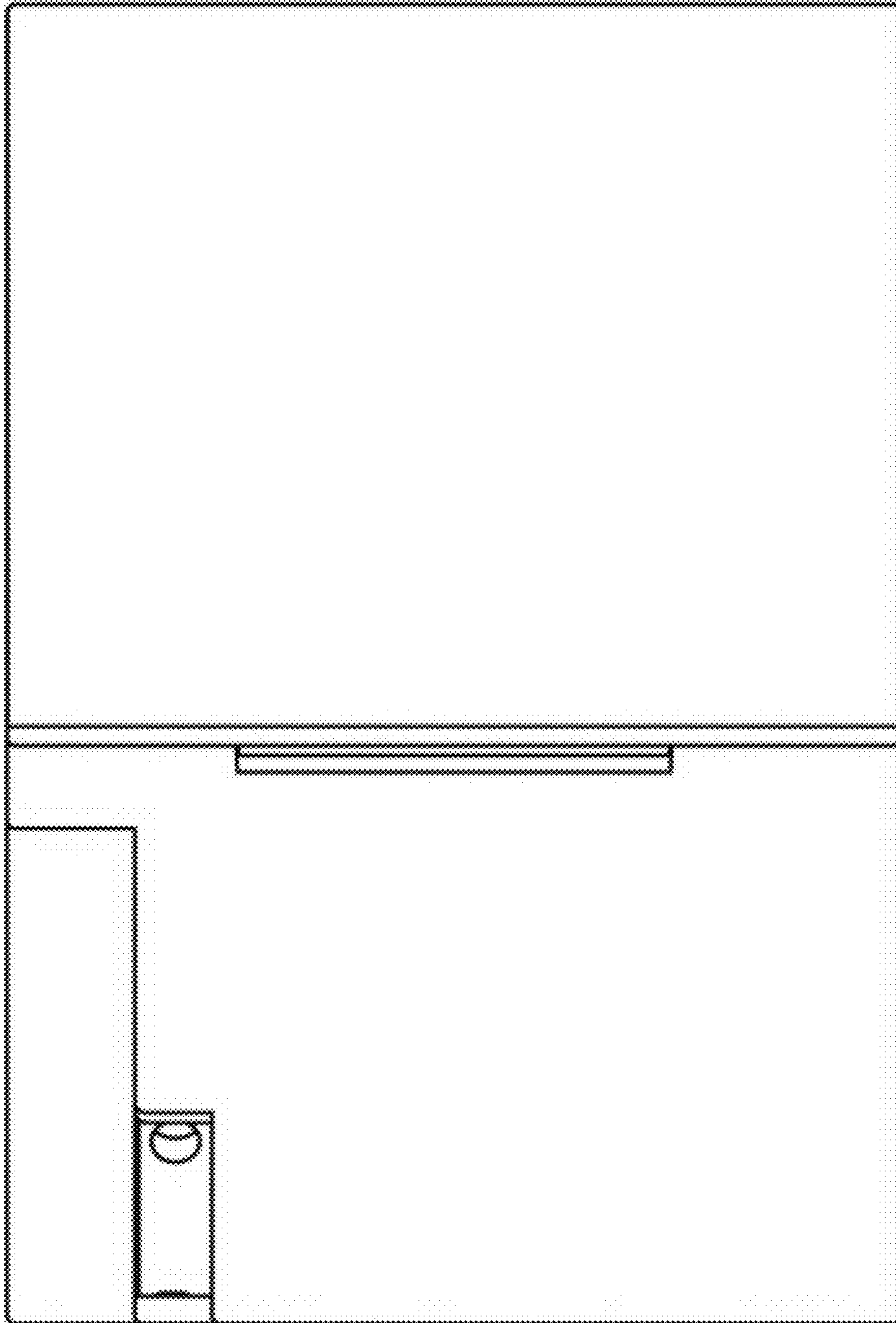
1.9



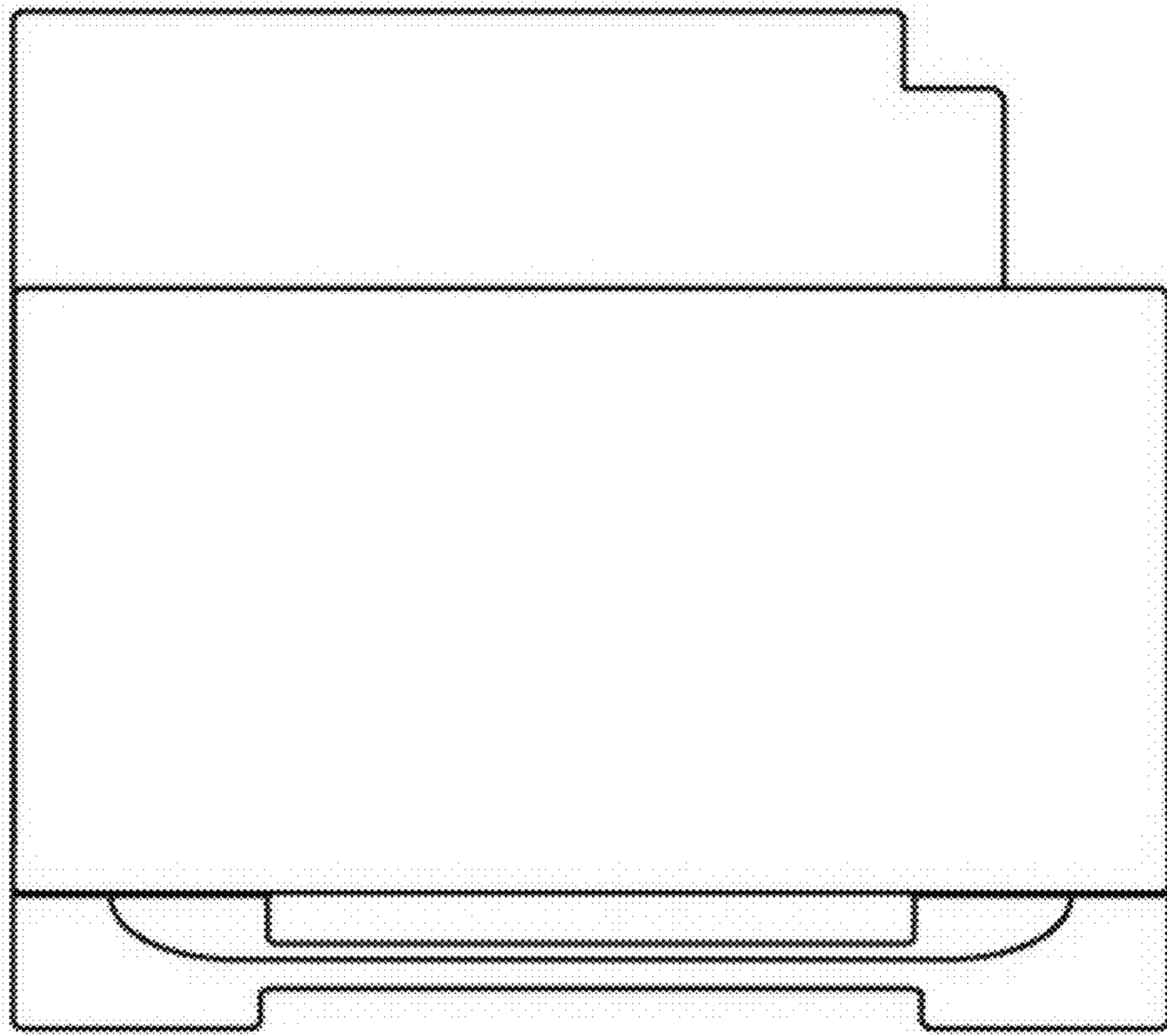
1.10



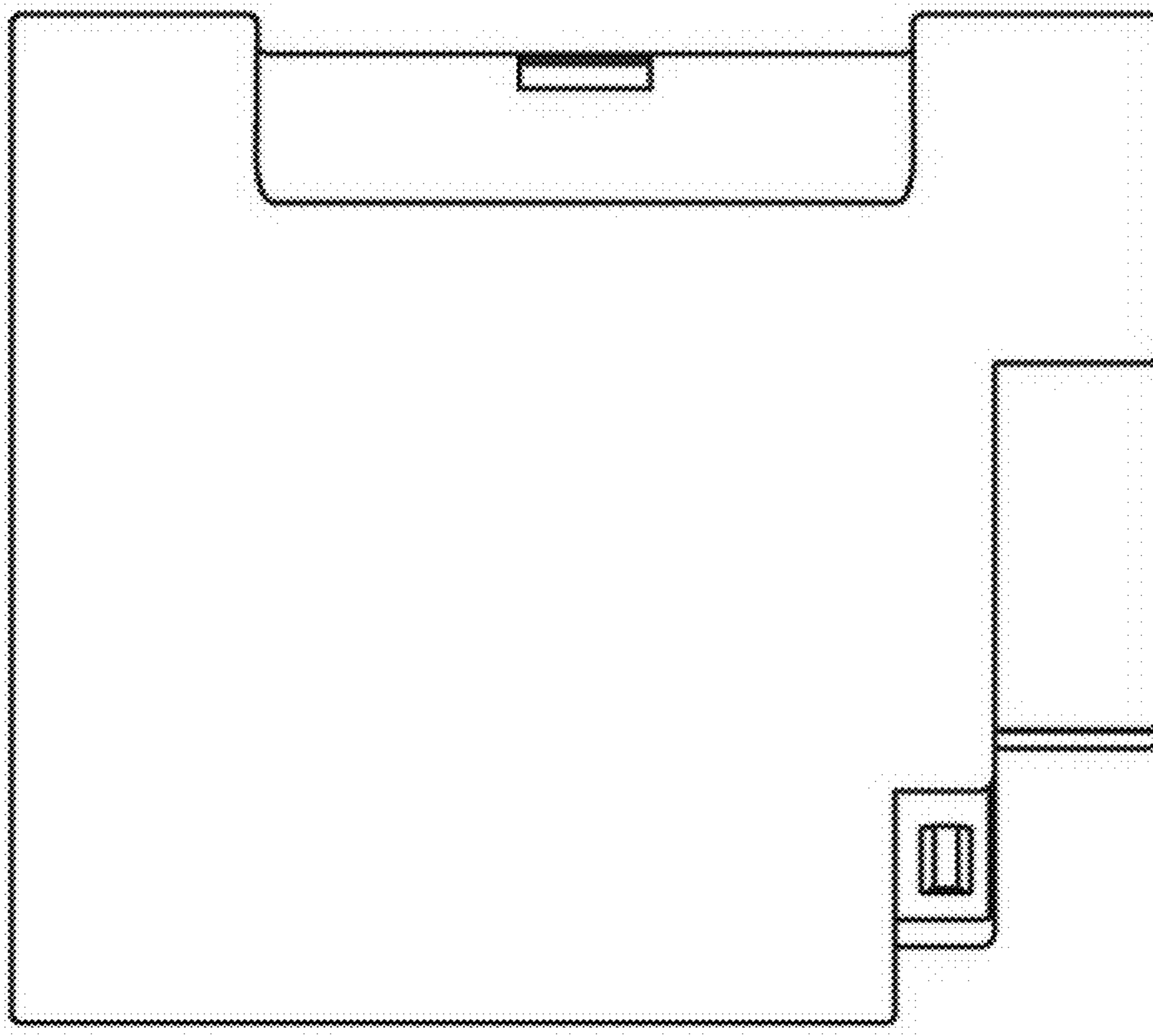
1.11



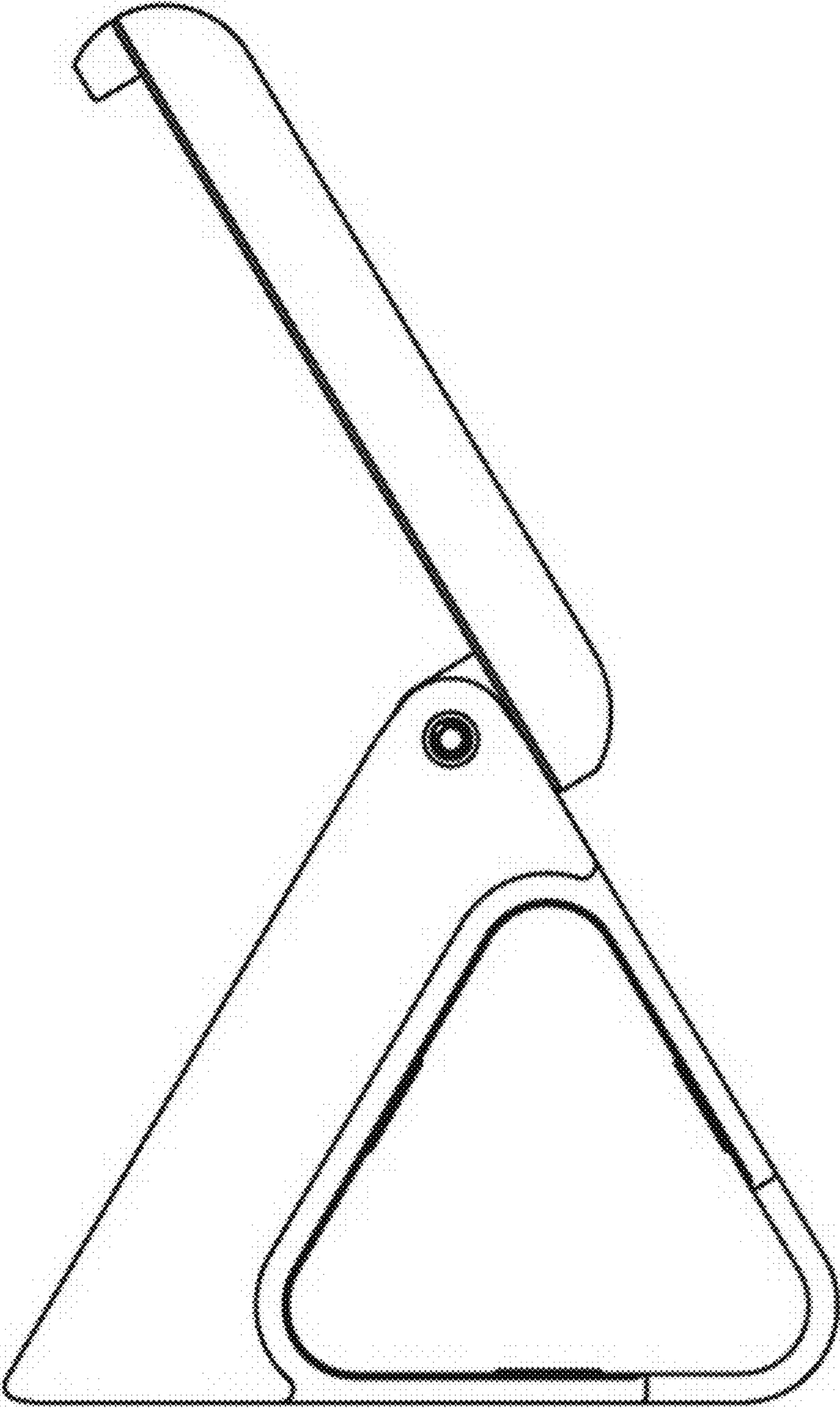
1.12



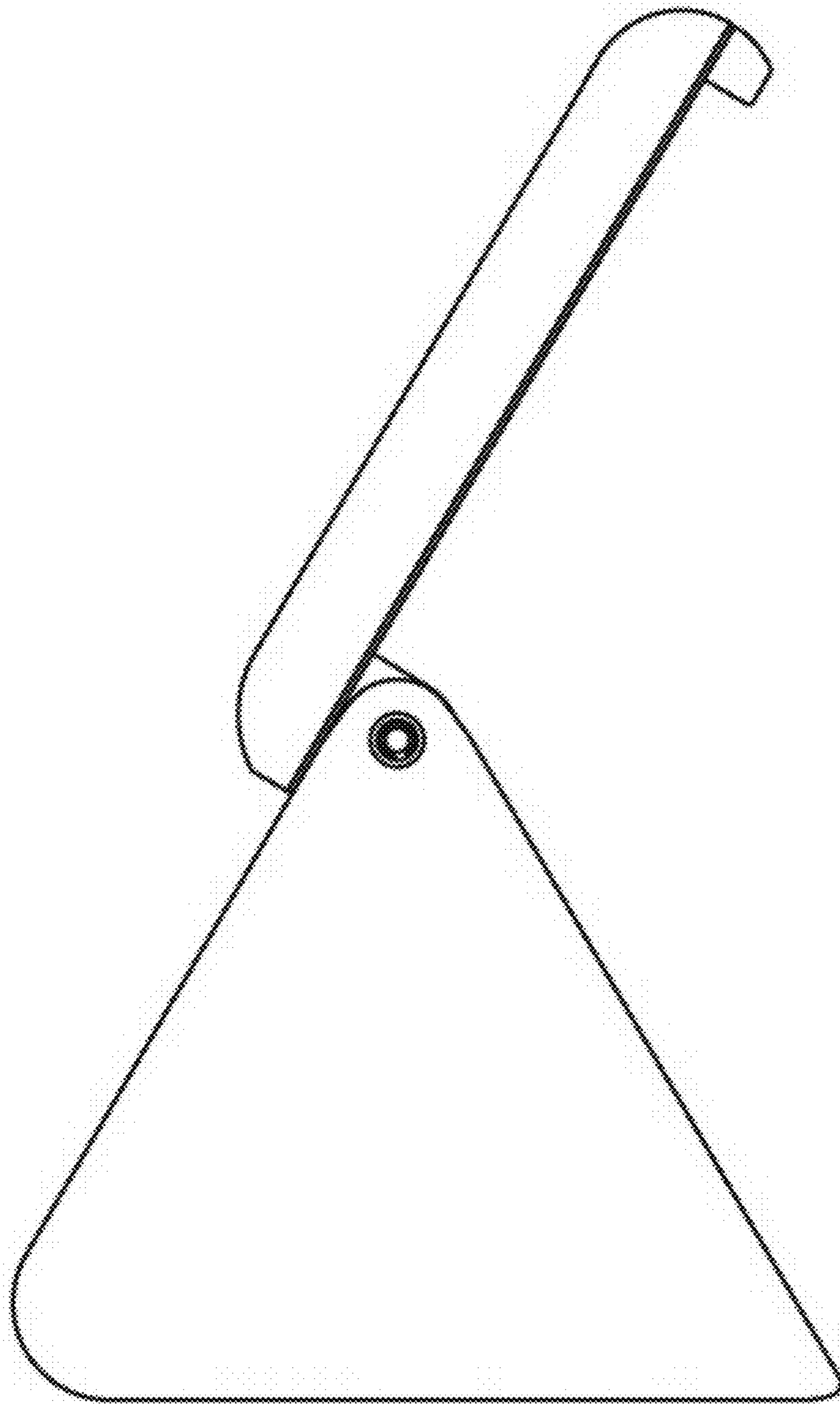
1.13



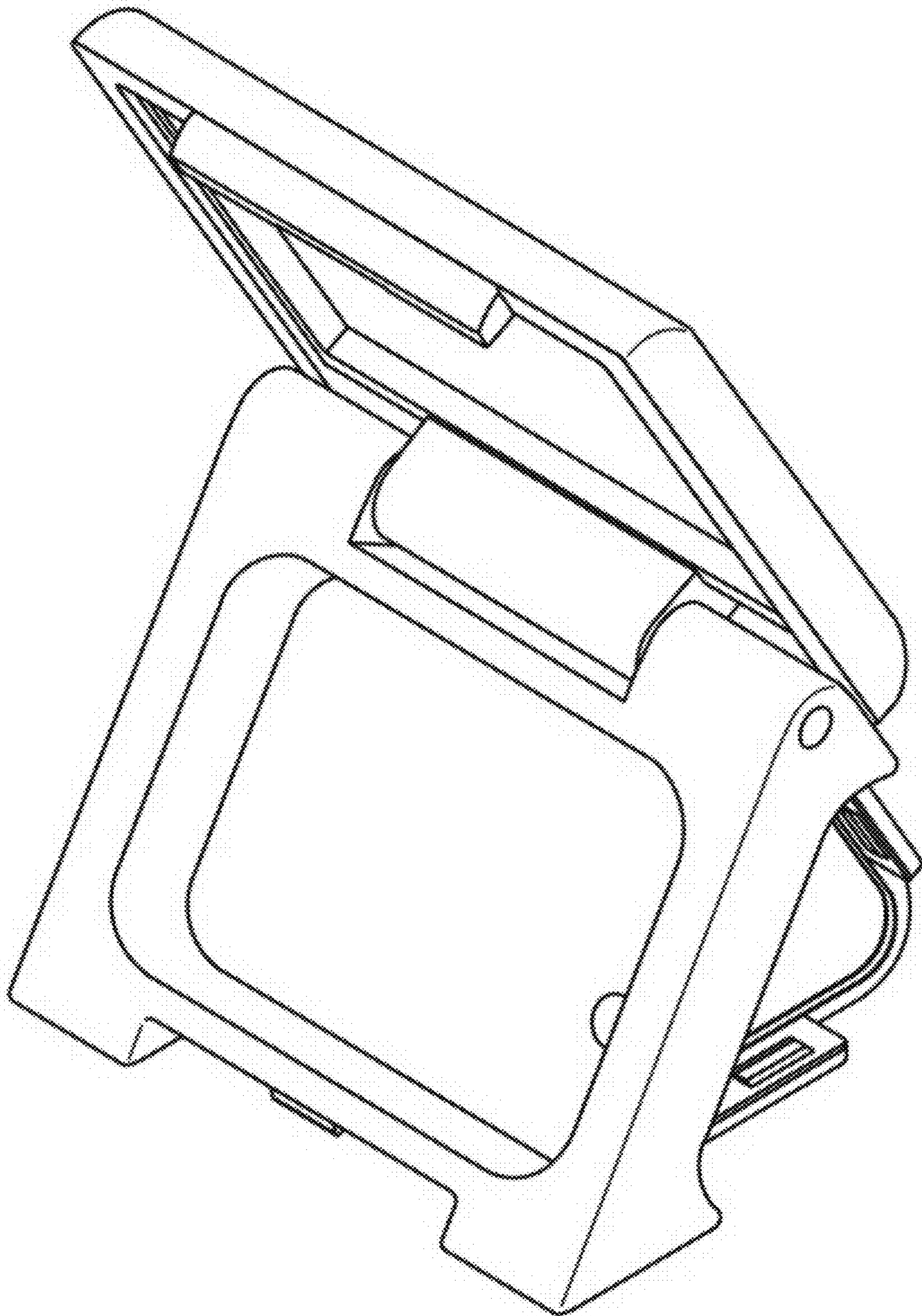
1.14



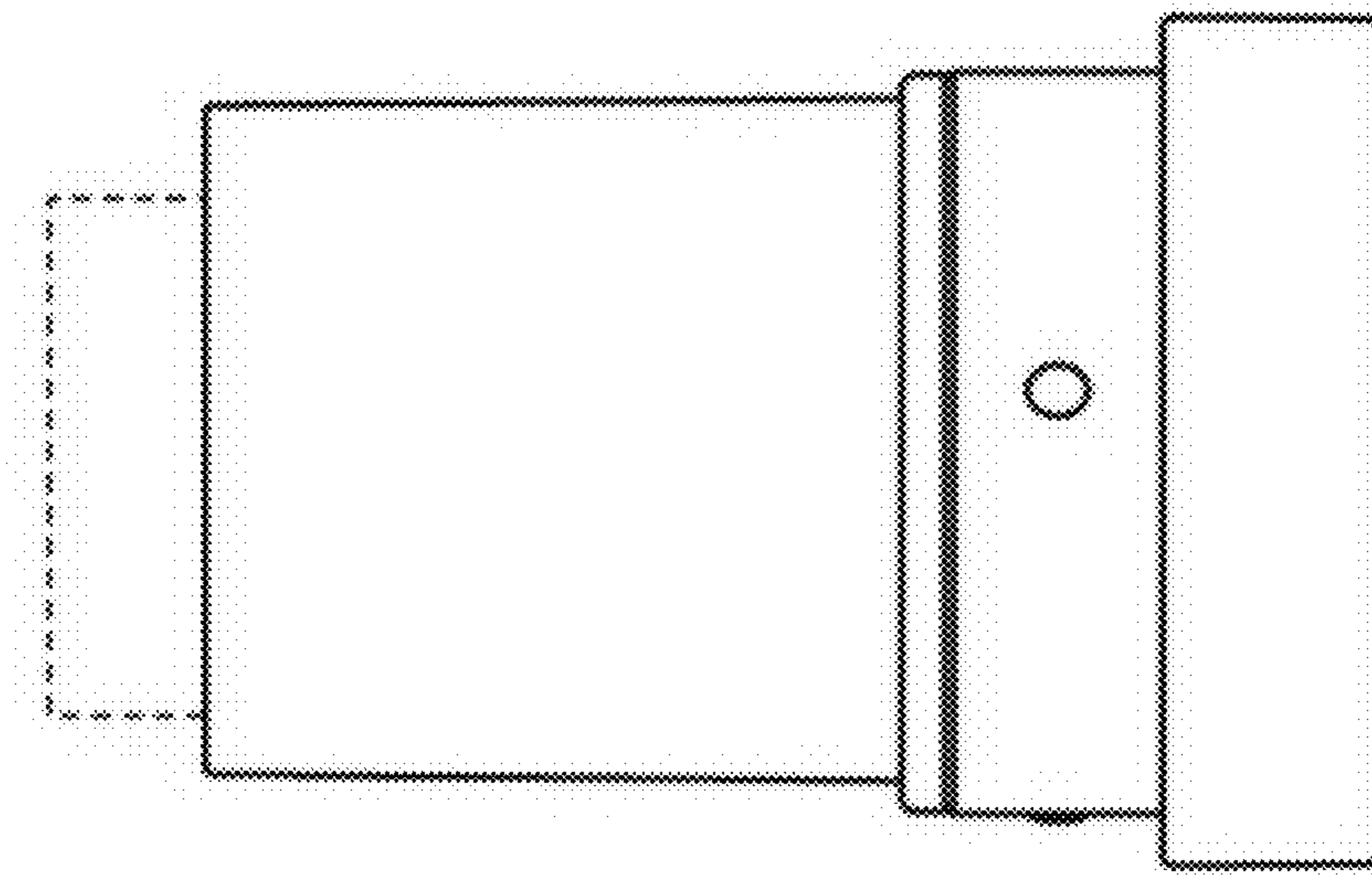
1.15



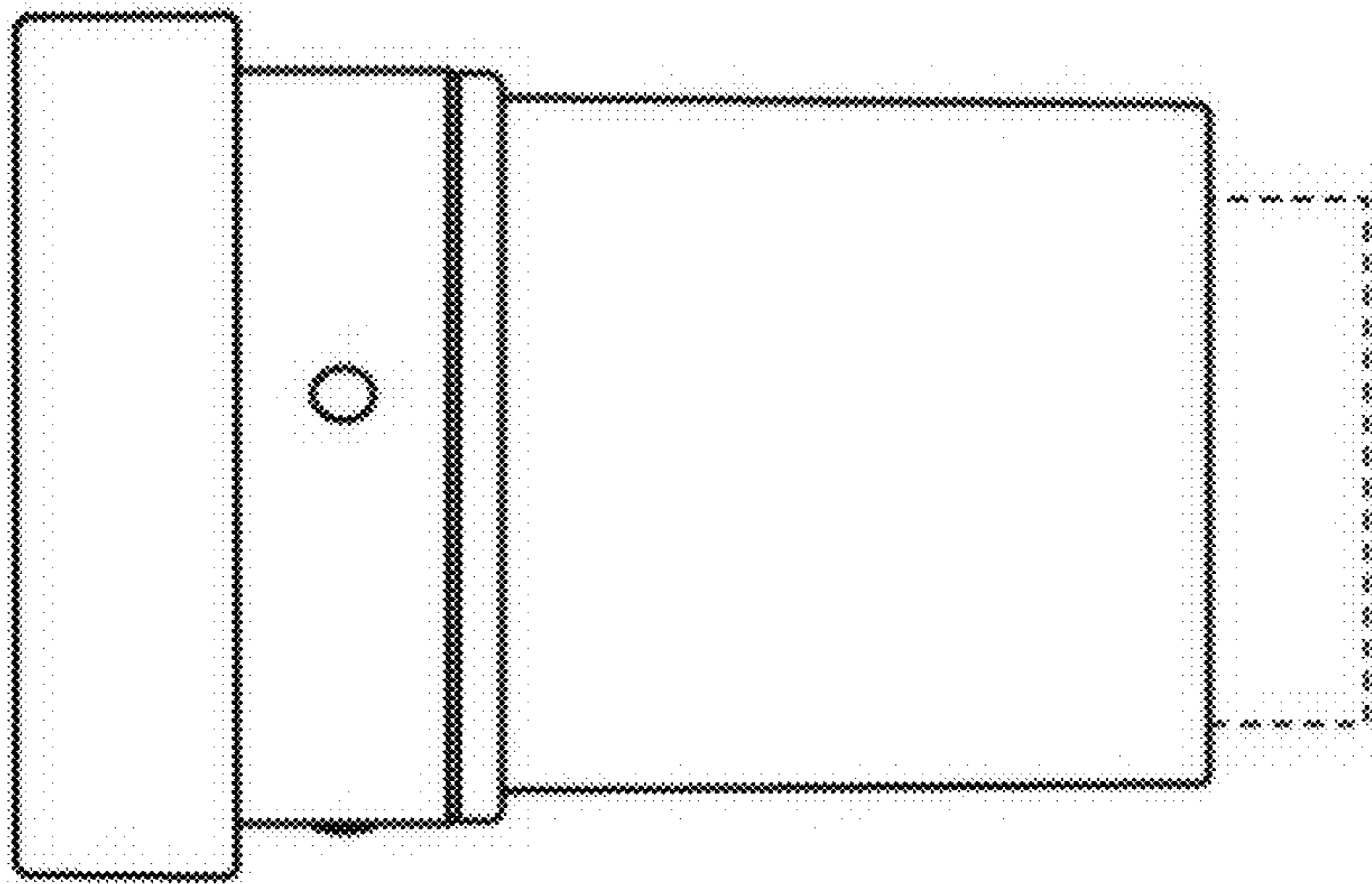
1.16



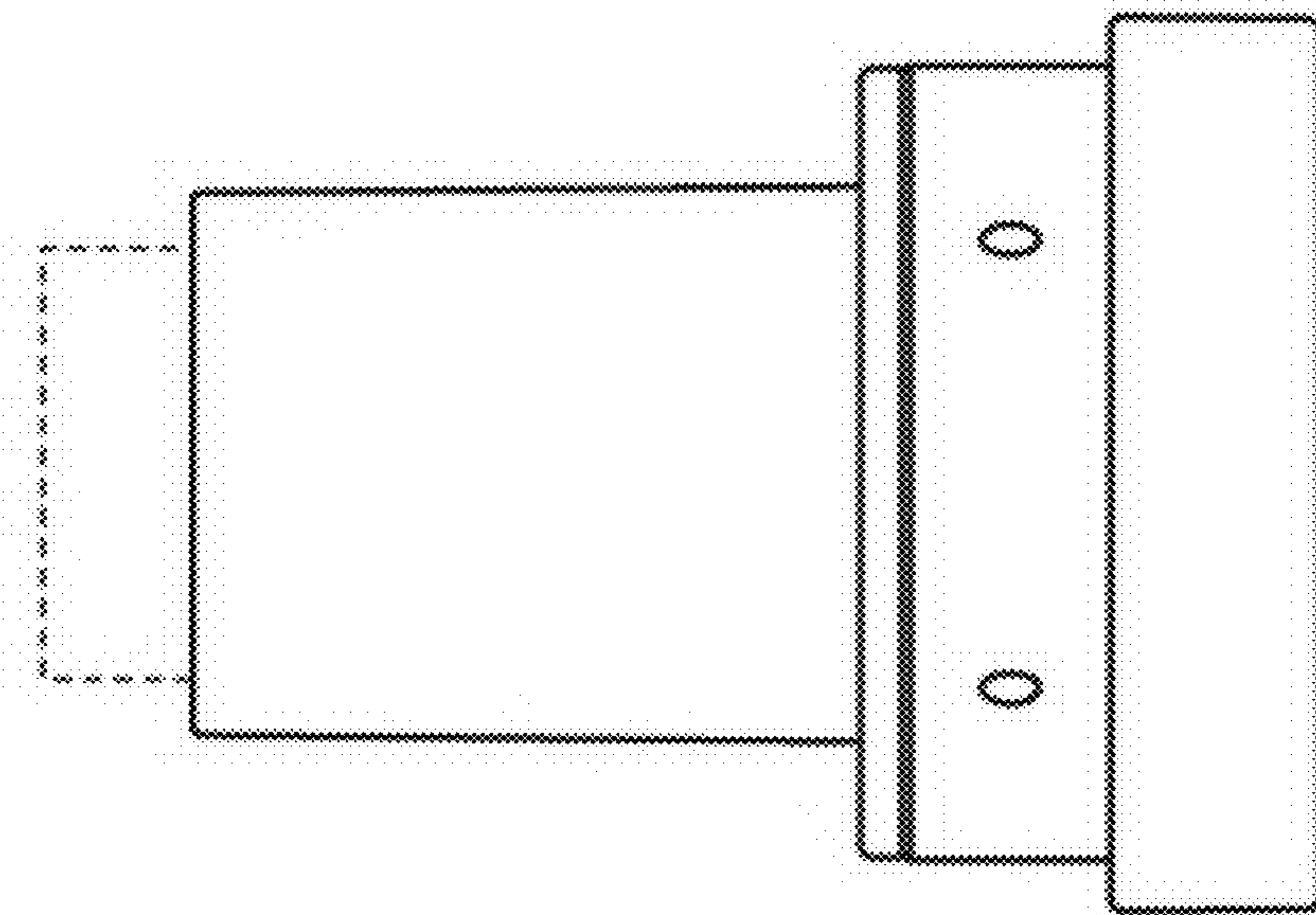
1.17



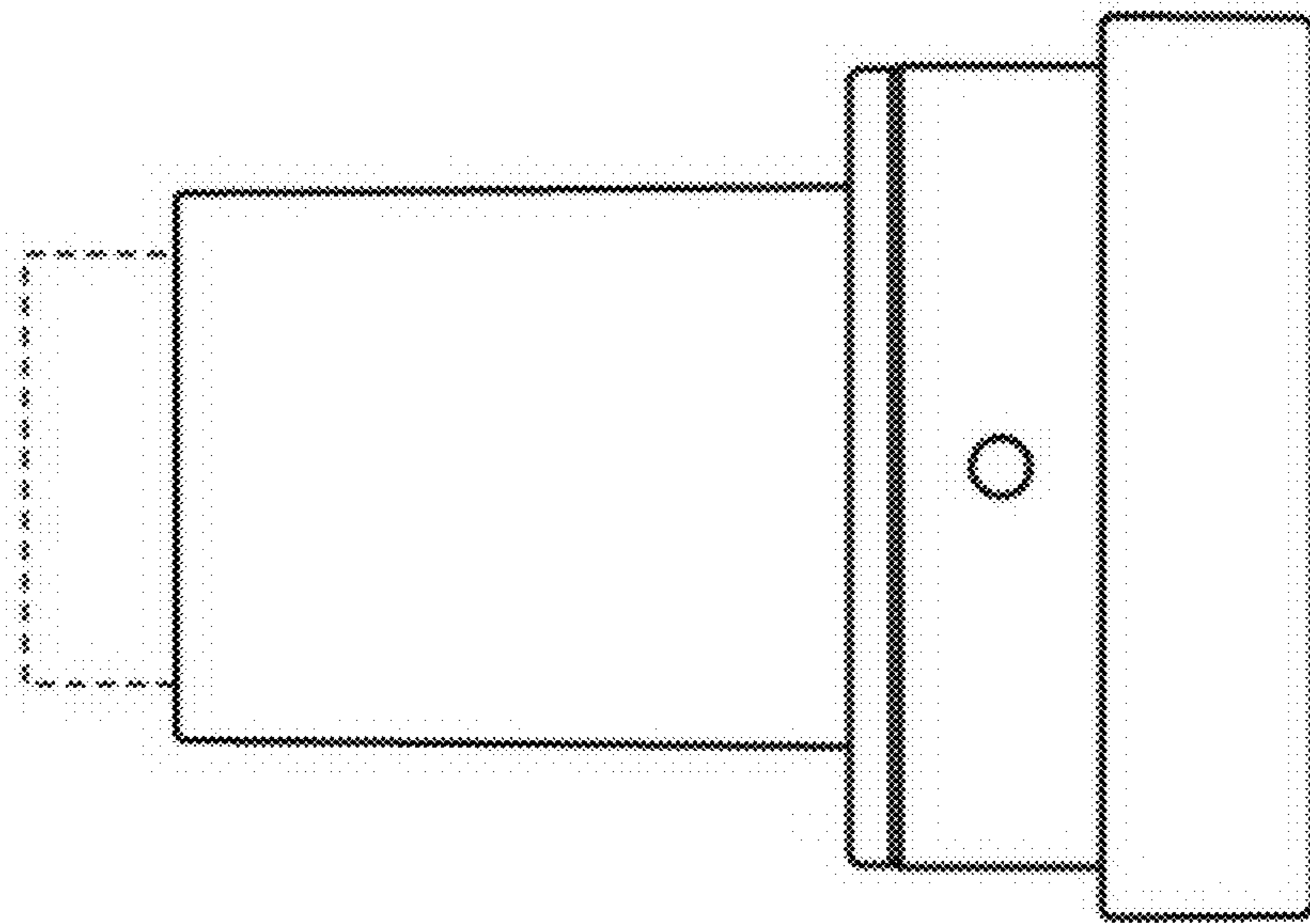
1.18



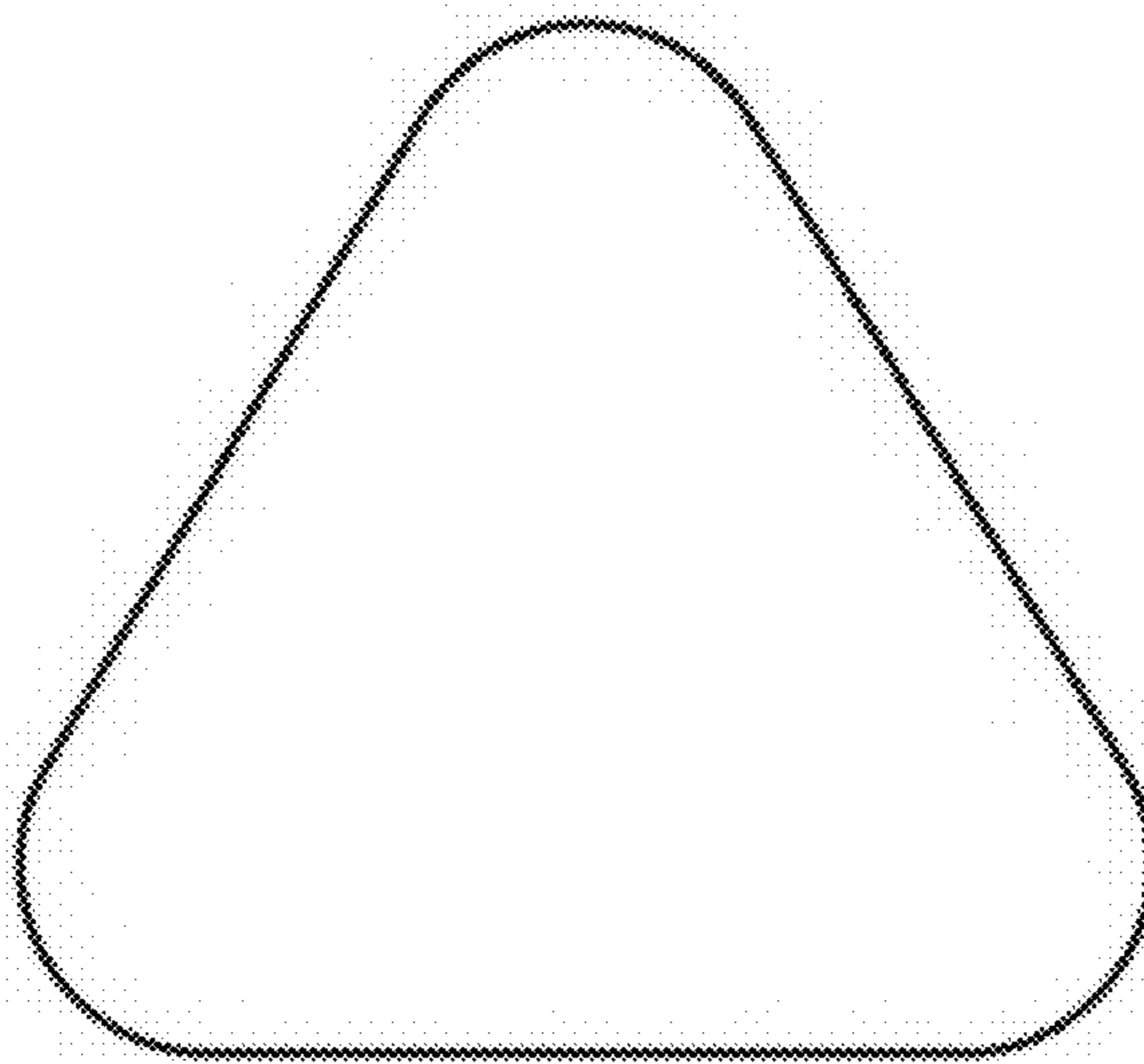
1.19



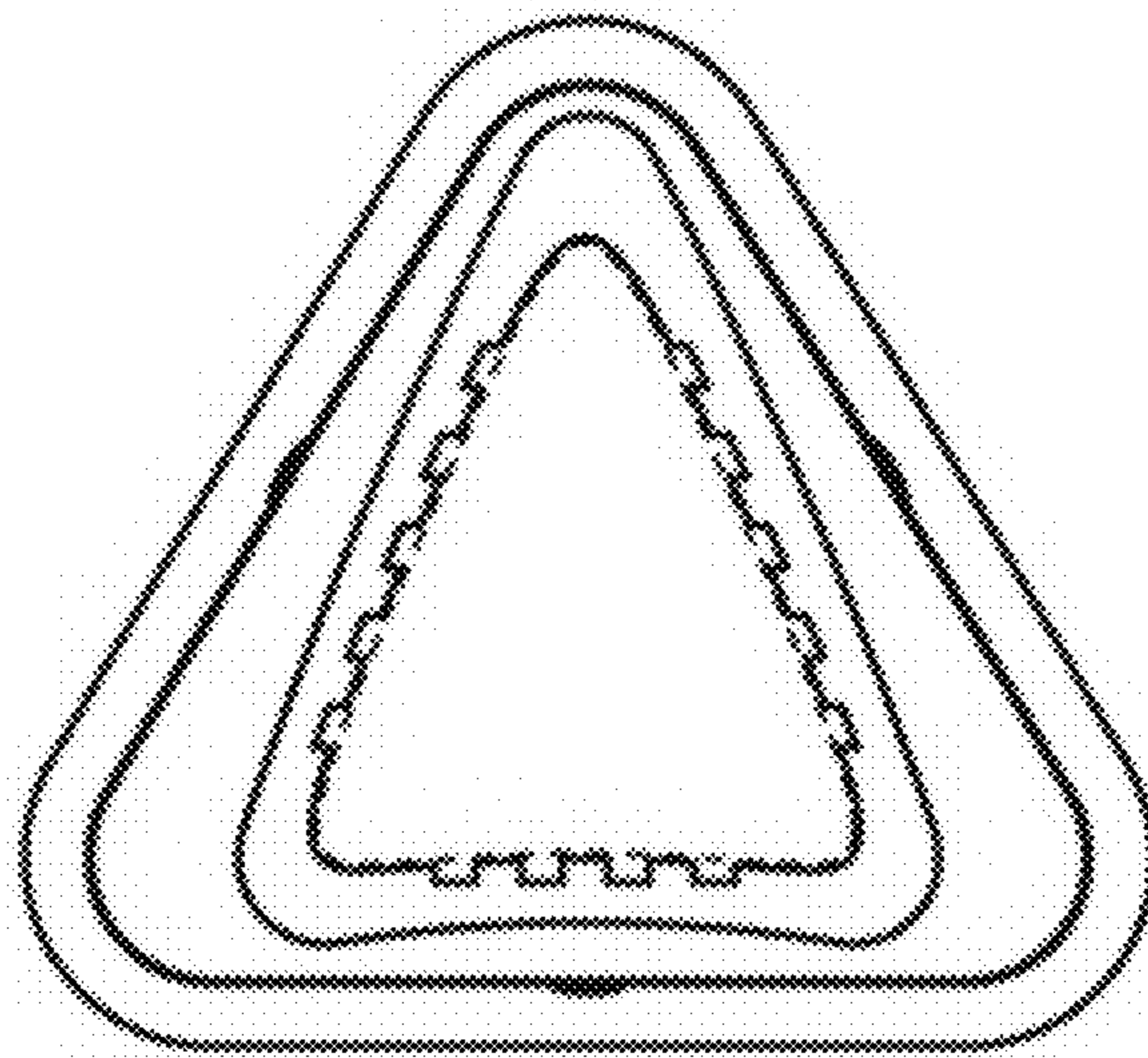
1.20



1.21



1.22



1.23

