



US00D827930S

(12) **United States Design Patent** (10) **Patent No.:** **US D827,930 S**  
**Mathieu** (45) **Date of Patent:** **\*\* Sep. 4, 2018**

(54) **ELECTRIC EPILATOR**

26/0004; A45D 26/0023; A45D 26/0038;  
A45D 2200/1054; A61B 17/54

(71) Applicant: **BABYLISS FACO SPRL**, Wandre  
(BE)

See application file for complete search history.

(72) Inventor: **Alice Mathieu**, Verviers (BE)

(56) **References Cited**

(\*\*) Term: **15 Years**

U.S. PATENT DOCUMENTS

(21) Appl. No.: **35/502,349**

D402,402	S	*	12/1998	Schneider	.....	D28/44
D611,198	S	*	3/2010	Platek	.....	D28/44.1
D662,660	S	*	6/2012	Byun	.....	D28/44.1
D771,313	S	*	11/2016	Oguchi	.....	D28/44
2009/0172948	A1	*	7/2009	Kitamura	.....	A45D 27/46 30/41.6

(22) Filed: **Jan. 17, 2017**

(80) **Hague Agreement Data**

\* cited by examiner

Int. Filing Date: **Jan. 17, 2017**  
 Int. Reg. No.: **DM/094260**  
 Int. Reg. Date: **Jan. 17, 2017**  
 Int. Reg. Pub. Date: **Jan. 27, 2017**

*Primary Examiner* — Zenia I Bennett  
 (74) *Attorney, Agent, or Firm* — Ladas & Parry LLP

(30) **Foreign Application Priority Data**

Jul. 18, 2016 (EM) ..... 003309939-0010

(51) **LOC (11) Cl.** ..... **28-03**

(52) **U.S. Cl.**  
USPC ..... **D28/44**

(58) **Field of Classification Search**  
 USPC ..... D28/44, 44.1, 49, 51, 53, 58, 59  
 CPC ..... B26B 19/00–19/107; A45D  
 2026/008–2026/0095; A45D  
 26/0042–26/0057; A45D 26/0061; A45D

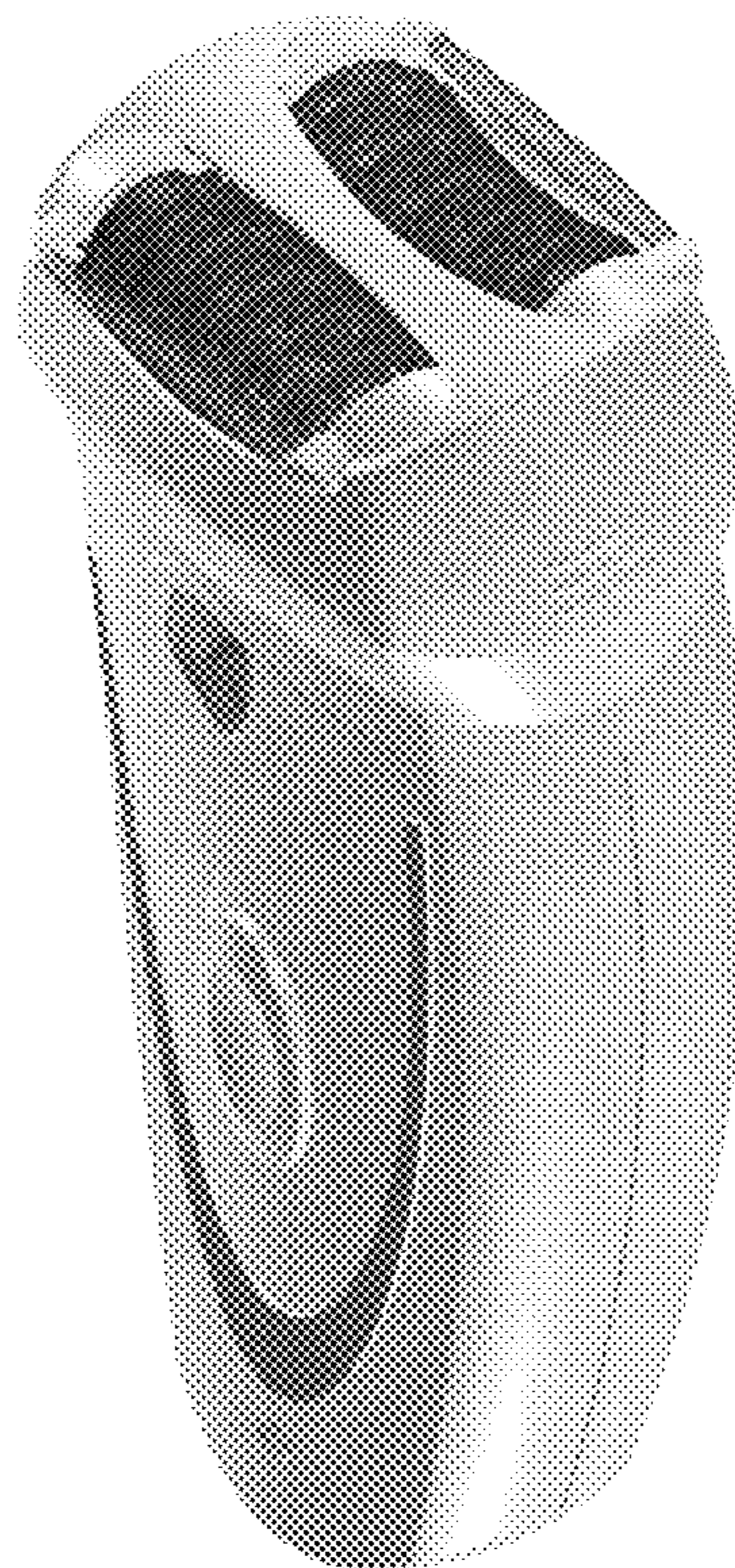
(57) **CLAIM**

The ornamental design for an electric epilator, as shown and described.

**DESCRIPTION**

Figure 1.1 is a perspective view of a electric epilator showing our new design;  
 Figure 1.2 is a rear elevational view thereof;  
 Figure 1.3 is a bottom plan view thereof;  
 Figure 1.4 is a front elevational view thereof;  
 Figure 1.5 is a left side elevational view thereof;  
 Figure 1.6 is a right side elevational view thereof; and  
 Figure 1.7 is a top plan view thereof.

**1 Claim, 7 Drawing Sheets**



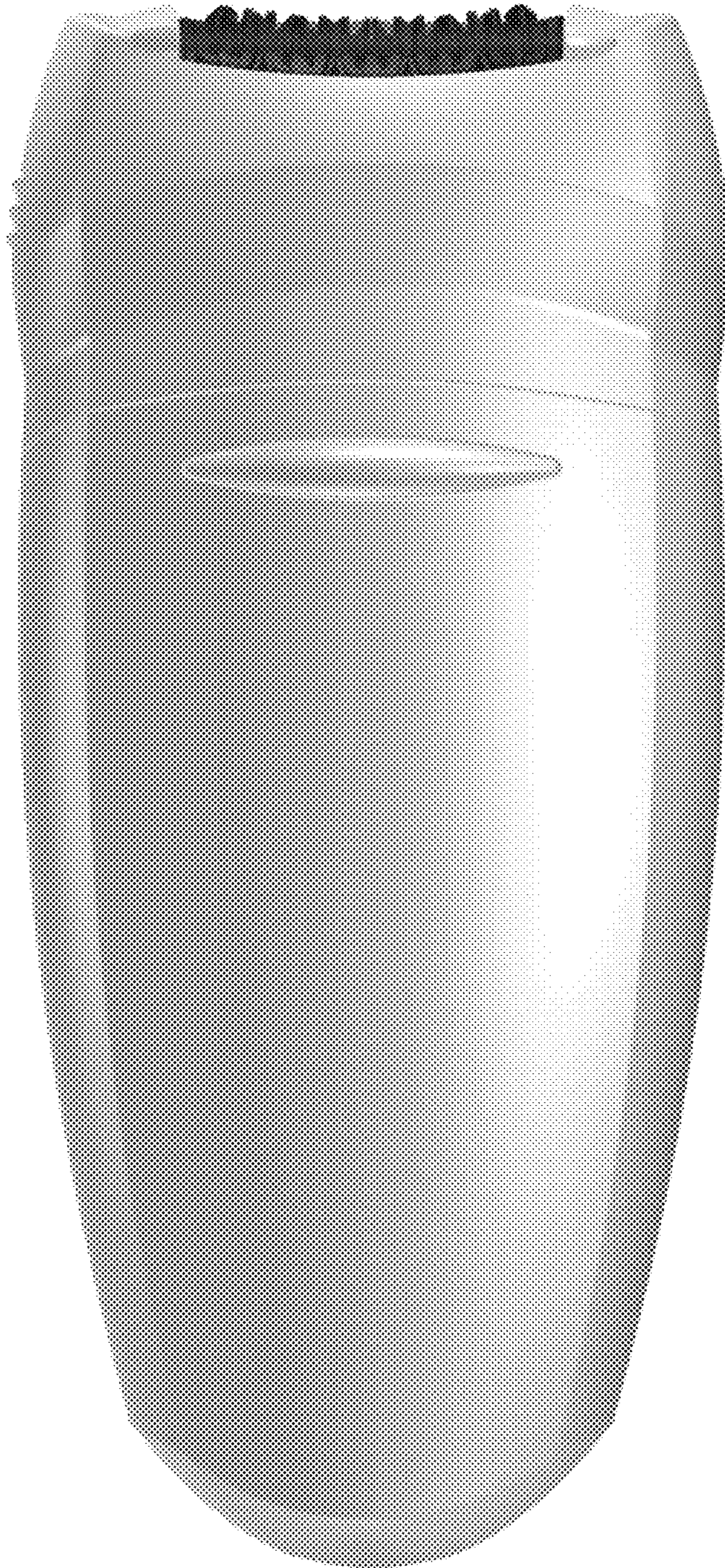


1.1



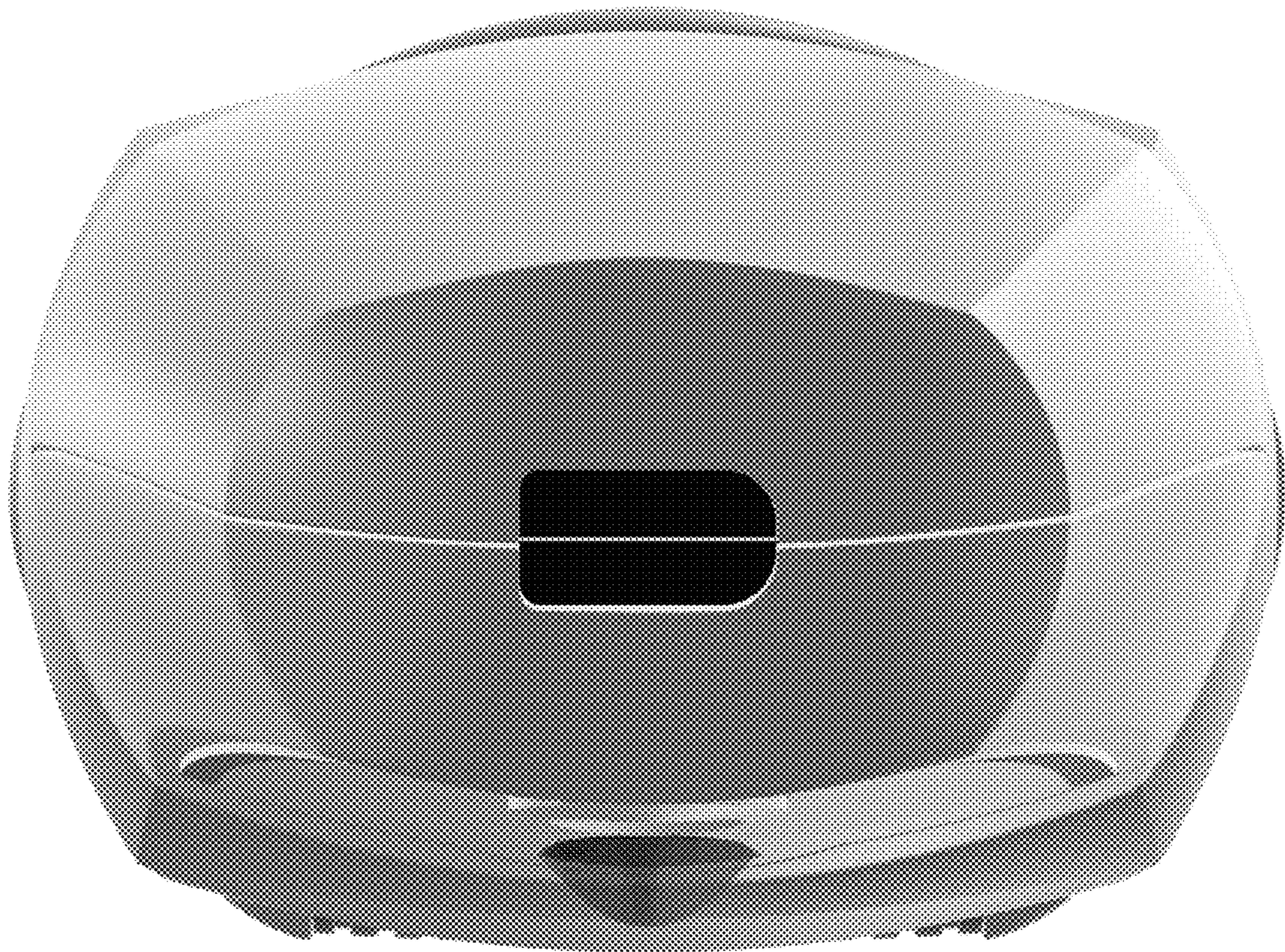


1.2





1.3

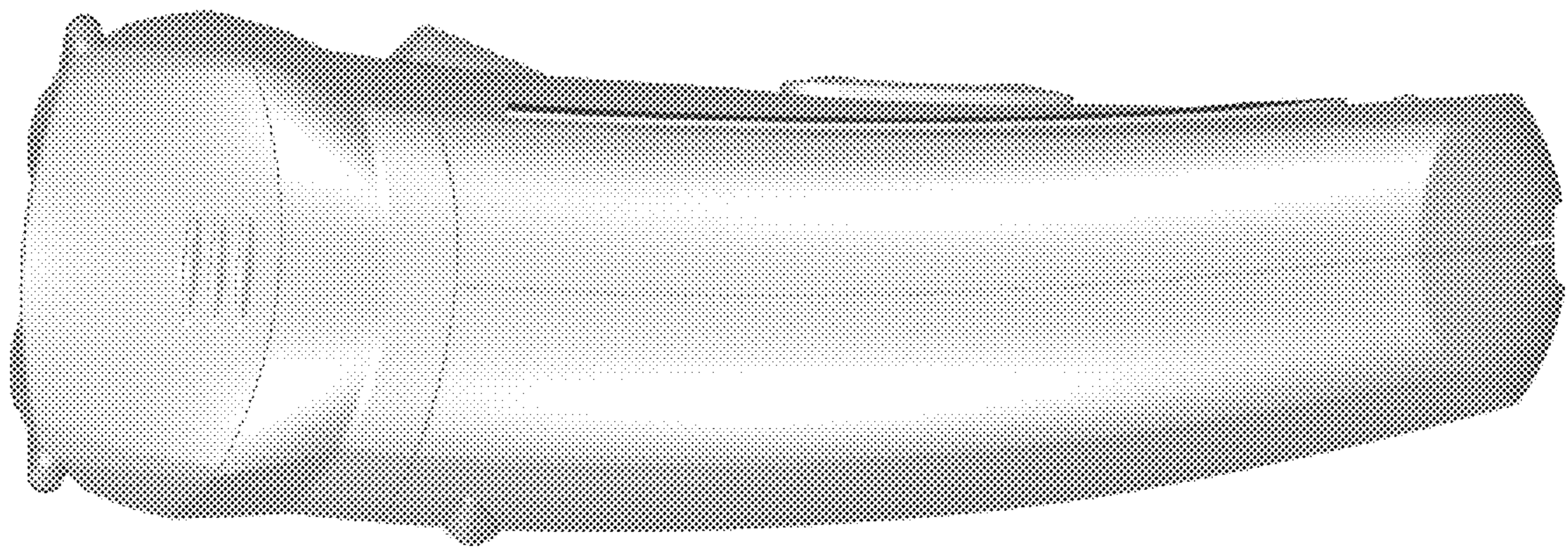




1.4

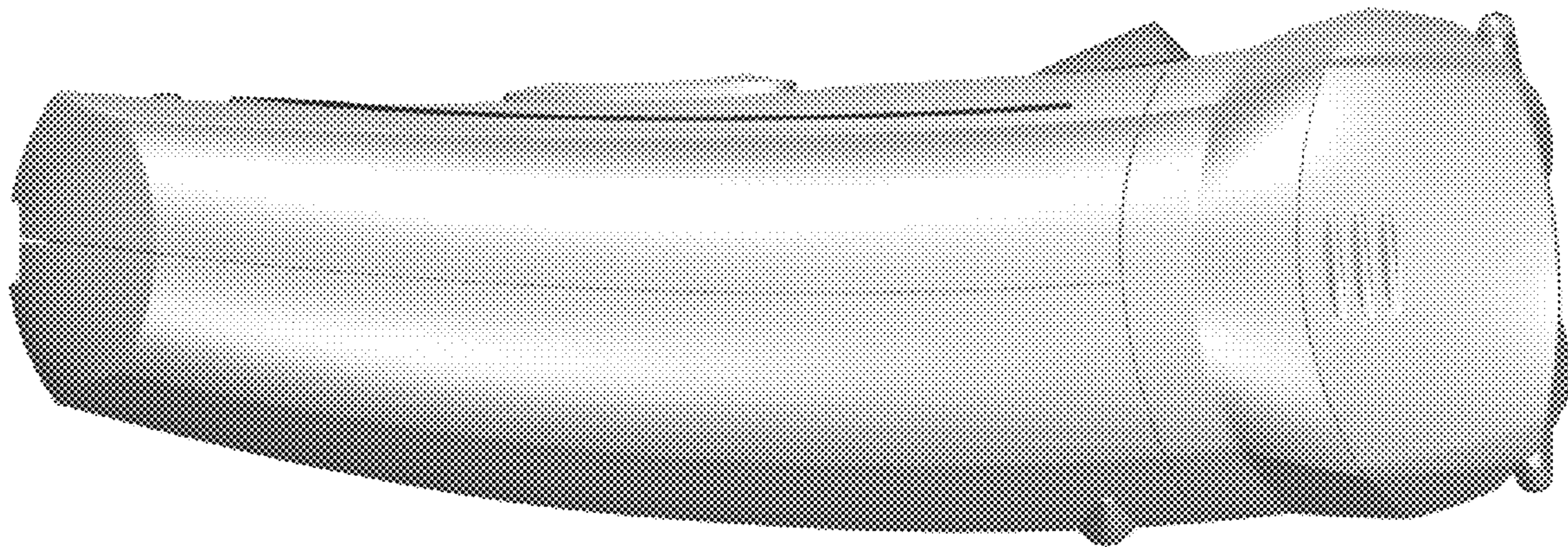


1.5





1.6





1.7

