



US00D827929S

(12) **United States Design Patent** (10) **Patent No.:** **US D827,929 S**
Mathieu (45) **Date of Patent:** **** Sep. 4, 2018**

(54) **LASER EPILATOR**

(71) Applicant: **BABYLISS FACO SPRL**, Wandre (BE)

(72) Inventor: **Alice Mathieu**, Verviers (BE)

(**) Term: **15 Years**

(21) Appl. No.: **35/502,348**

(22) Filed: **Jan. 17, 2017**

(80) **Hague Agreement Data**

Int. Filing Date: **Jan. 17, 2017**

Int. Reg. No.: **DM/094259**

Int. Reg. Date: **Jan. 17, 2017**

Int. Reg. Pub. Date: **Jan. 27, 2017**

(30) **Foreign Application Priority Data**

Jul. 18, 2016 (EM) 003309939-0005

(51) **LOC (11) Cl.** **28-03**

(52) **U.S. Cl.**
USPC **D28/44**

(58) **Field of Classification Search**
USPC D28/44, 44.1, 49, 51, 53, 58, 59
CPC B26B 19/00–19/107; A45D
2026/008–2026/0095; A45D
26/0042–26/0057; A45D 26/0061; A45D
26/0004; A45D 26/0023; A45D 26/0038;
A45D 2200/1054; A61B 17/54

See application file for complete search history.

(56) **References Cited**

U.S. PATENT DOCUMENTS

3,900,949	A *	8/1975	Anzalone	B26B 19/20 30/133
D535,746	S *	1/2007	Grove	D24/144
D589,650	S *	3/2009	Adriaenssen	D24/133
D621,950	S *	8/2010	Seki	D24/107
D646,396	S *	10/2011	Seki	D24/107
D653,811	S *	2/2012	BenZion	D24/133
D705,939	S *	5/2014	Bradley	D24/209
D706,980	S *	6/2014	Tasar	D24/133
D776,874	S *	1/2017	Kling	D24/133

* cited by examiner

Primary Examiner — Zenia I Bennett

(74) *Attorney, Agent, or Firm* — Ladas & Parry LLP

(57) **CLAIM**

The ornamental design for a laser epilator, as shown and described.

DESCRIPTION

Fig. 1.1 is a perspective view of a laser epilator showing our new design;

Fig. 1.2 is a front elevational view;

Fig. 1.3 is a rear elevational view;

Fig. 1.4 is a right side elevational view;

Fig. 1.5 is a left side elevational view;

Fig. 1.6 is a top plan view;

Fig. 1.7 is a bottom plan view.

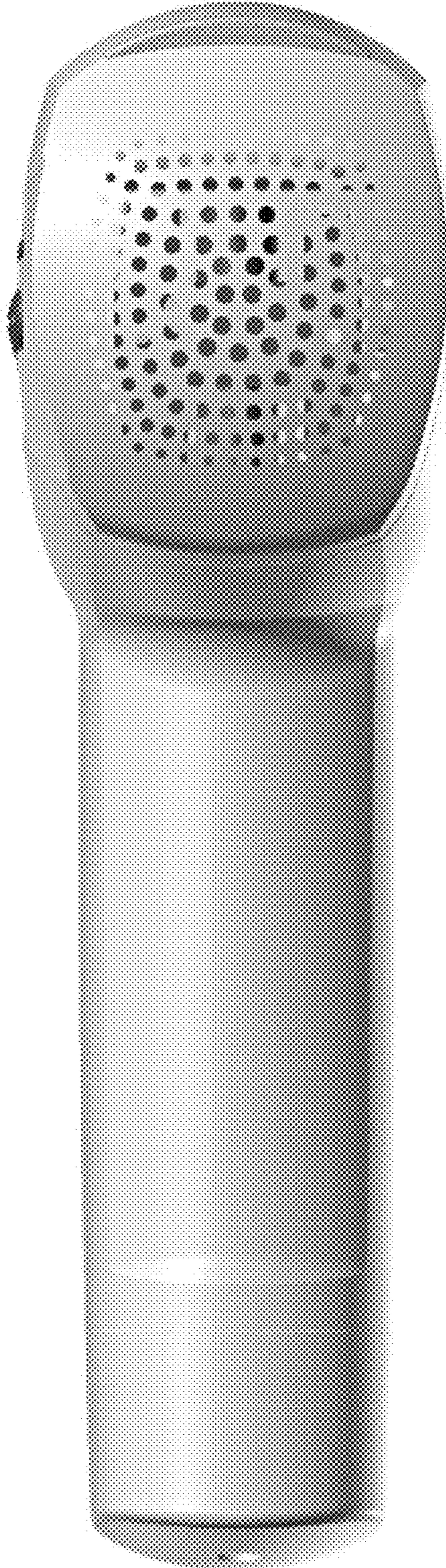
1 Claim, 7 Drawing Sheets



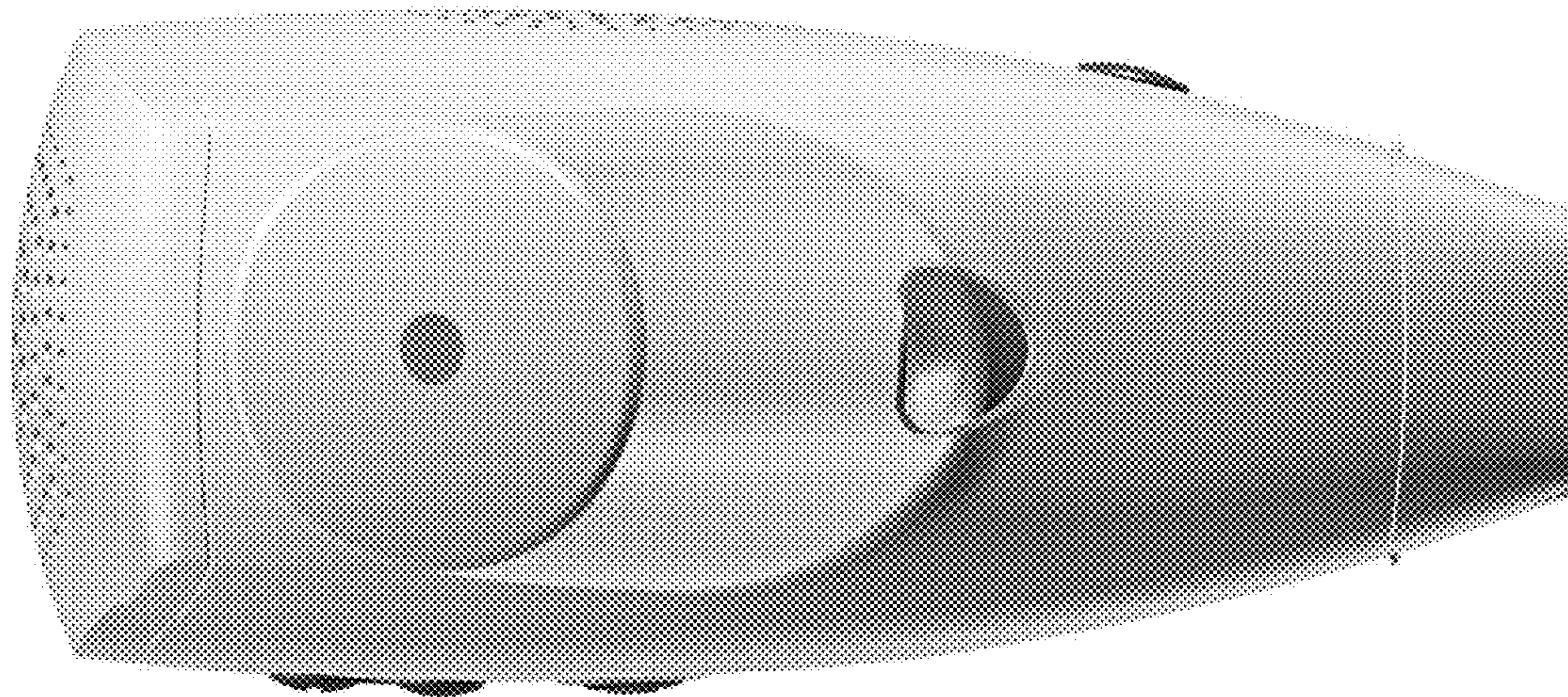
1.1



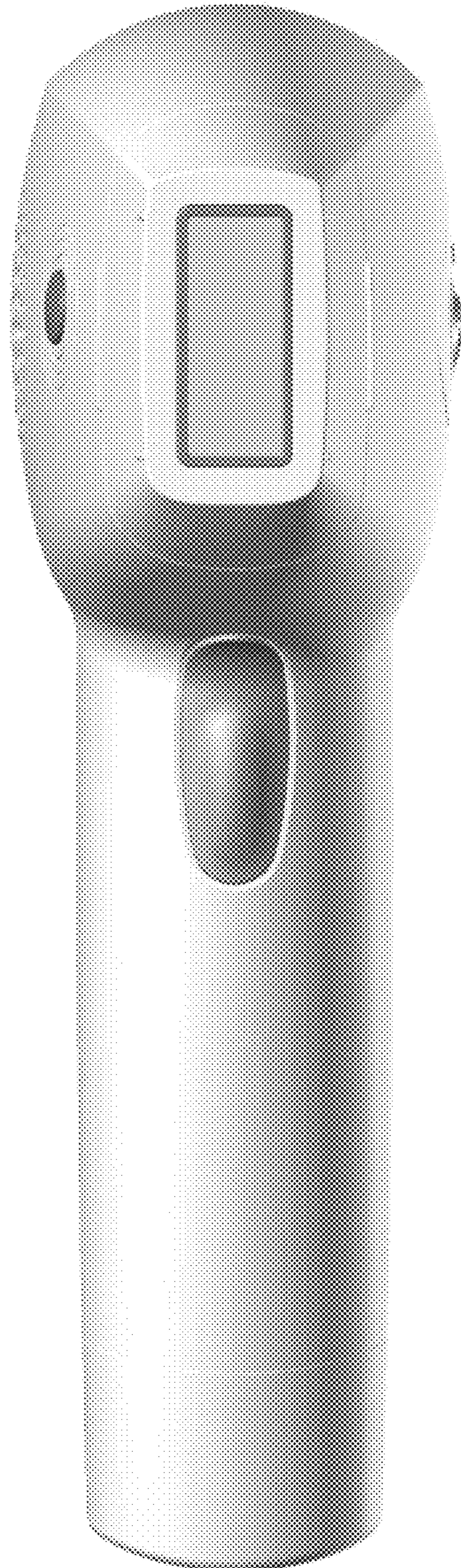
1.2



1.3



1.4



1.5



1.6



1.7

