



US00D827928S

(12) **United States Design Patent** (10) **Patent No.:** **US D827,928 S**  
**Kang et al.** (45) **Date of Patent:** **\*\* Sep. 4, 2018**

(54) **REAR COMBINATION LAMP FOR VEHICLES**

(71) Applicant: **KIA MOTORS CORPORATION**,  
Seoul (KR)  
(72) Inventors: **Seong-Yeop Kang**, Busan (KR);  
**Sung-Wook Kim**, Gunpo-si (KR)  
(73) Assignee: **Kia Motors Corporation**, Seoul (KR)  
(\*\*) Term: **15 Years**

(21) Appl. No.: **35/502,840**  
(22) Filed: **Oct. 17, 2016**

(80) **Hague Agreement Data**  
Int. Filing Date: **Oct. 17, 2016**  
Int. Reg. No.: **DM/093166**  
Int. Reg. Date: **Oct. 17, 2016**  
Int. Reg. Pub. Date: **Apr. 21, 2017**

(30) **Foreign Application Priority Data**  
Aug. 29, 2016 (KR) ..... 30-2016-0042026  
(51) **LOC (11) Cl.** ..... **26-06**  
(52) **U.S. Cl.**  
USPC ..... **D28/35; D26/28**  
(58) **Field of Classification Search**  
USPC ..... D26/28-36  
CPC ..... F21S 48/00; F21S 48/10; F21S 48/115;  
F21S 48/225; F21S 48/1233; F21S  
48/1266; F21S 48/1388; F21S 48/2266;  
F21V 21/04; B60Q 1/30; B60Q 1/2607;  
B60Q 1/2696; B62J 6/00; B62J 6/04  
See application file for complete search history.

(56) **References Cited**

U.S. PATENT DOCUMENTS

D806,919 S *	1/2018	Hatton .....	D26/28
D808,048 S *	1/2018	Hannemann .....	D26/28
D809,167 S *	1/2018	Chi .....	D26/28
D810,974 S *	2/2018	Sato .....	D26/28
D812,270 S *	3/2018	Minamiyama .....	D26/28
D812,271 S *	3/2018	Katagiri .....	D26/28
D812,273 S *	3/2018	Wu .....	D26/28
D812,274 S *	3/2018	Wu .....	D26/28
D812,275 S *	3/2018	Wu .....	D26/28

\* cited by examiner

*Primary Examiner* — Zenia I Bennett

(74) *Attorney, Agent, or Firm* — Mintz Levin Cohn Ferris  
Glovsky and Popeo, P.C.; Kongsik Kim

(57) **CLAIM**

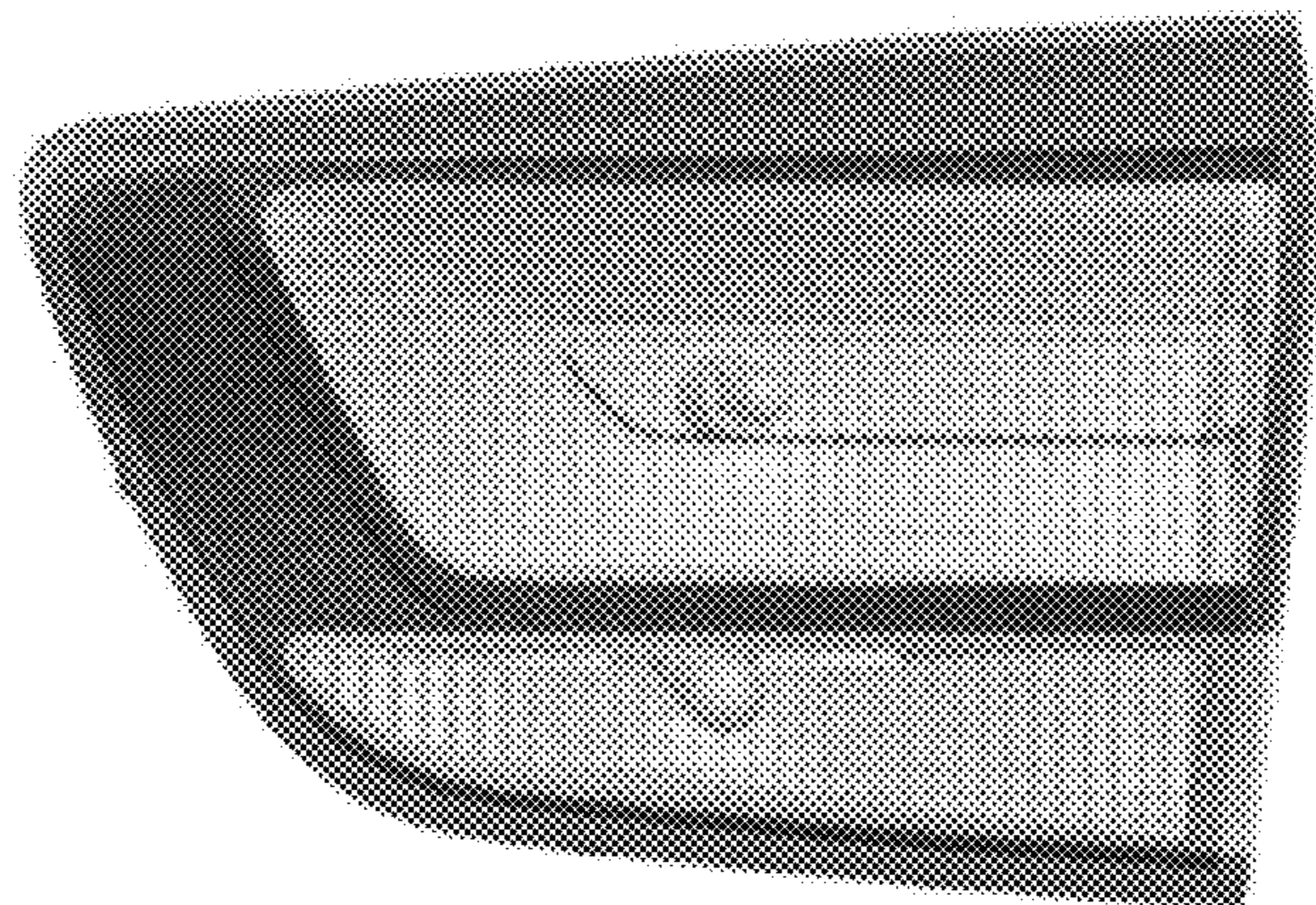
The ornamental design for a rear combination lamp for vehicles, as shown and described.

**DESCRIPTION**

1. Rear combination lamp for vehicles
- 1.1 : Perspective
- 1.2 : Front
- 1.3 : Back
- 1.4 : Left
- 1.5 : Right
- 1.6 : Top
- 1.7 : Bottom

The article is adhered on to the rear of a vehicle, and it is a combination of a lamp that is turned on the moment that the break is applied and a lamp that is turned on the moment that the reverse gear is applied; as appeared in the perspective drawing, the cover part of the front of this article and the lamp part inside the cover part are transparent.

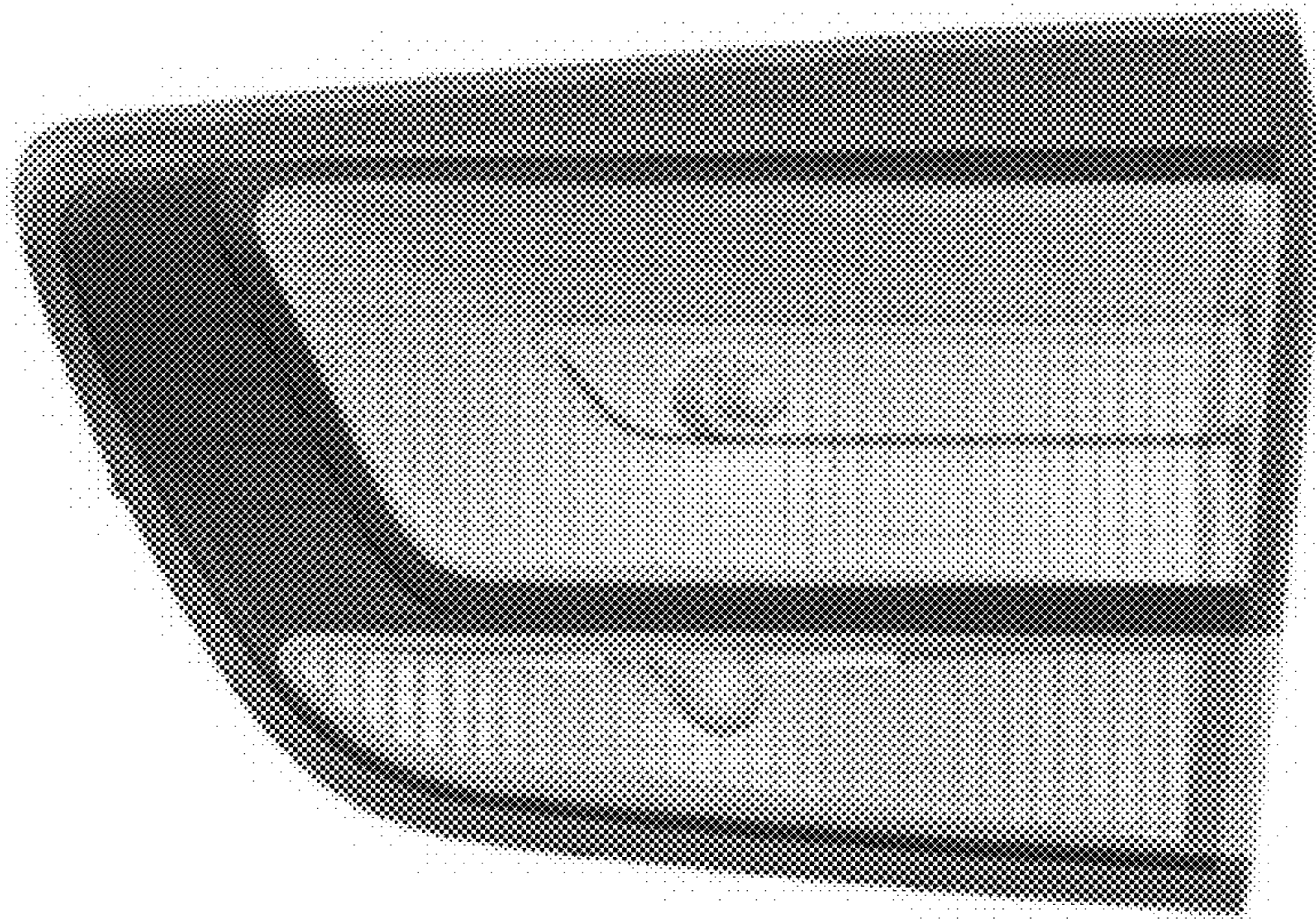
**1 Claim, 7 Drawing Sheets**



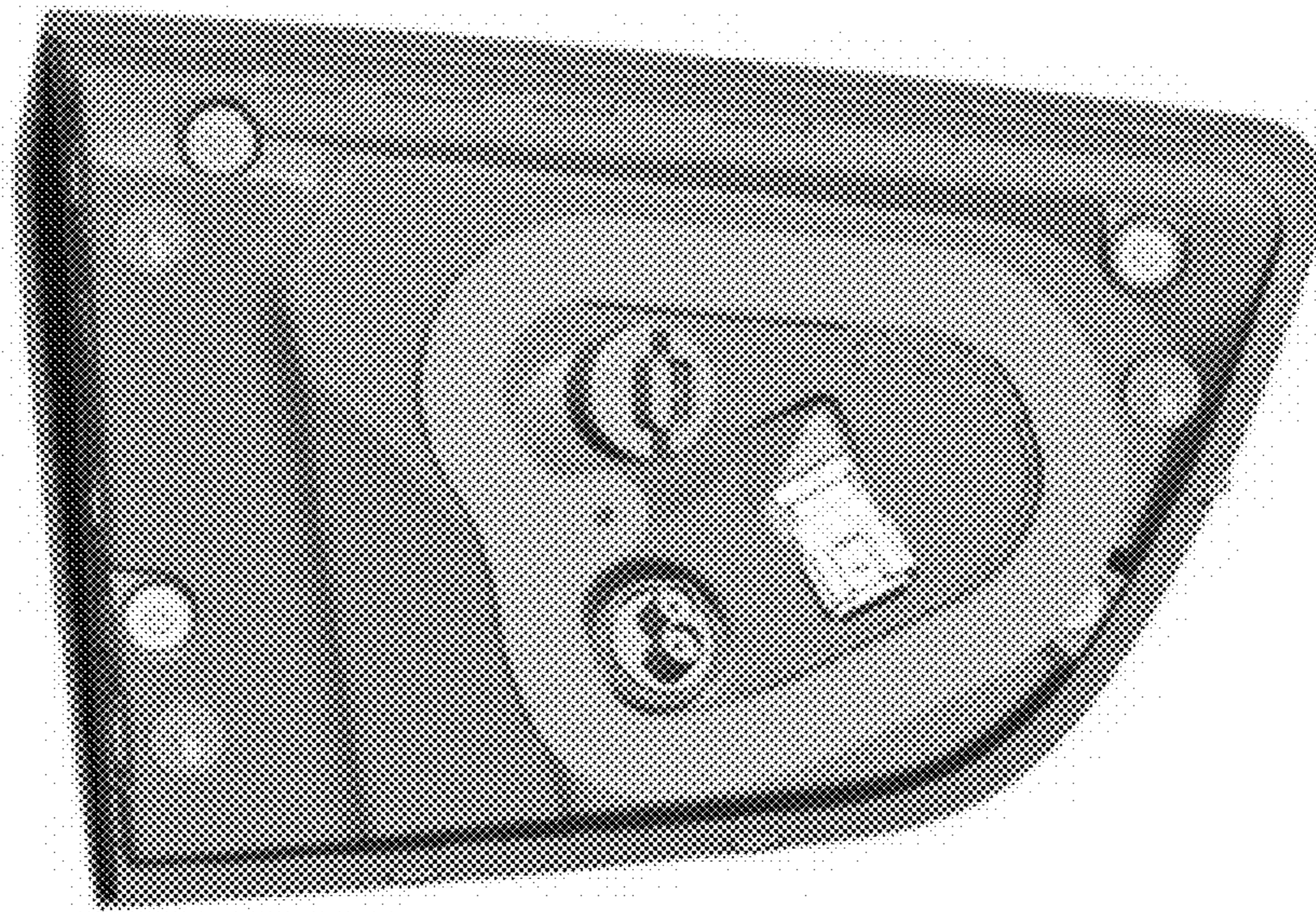
**1.1**



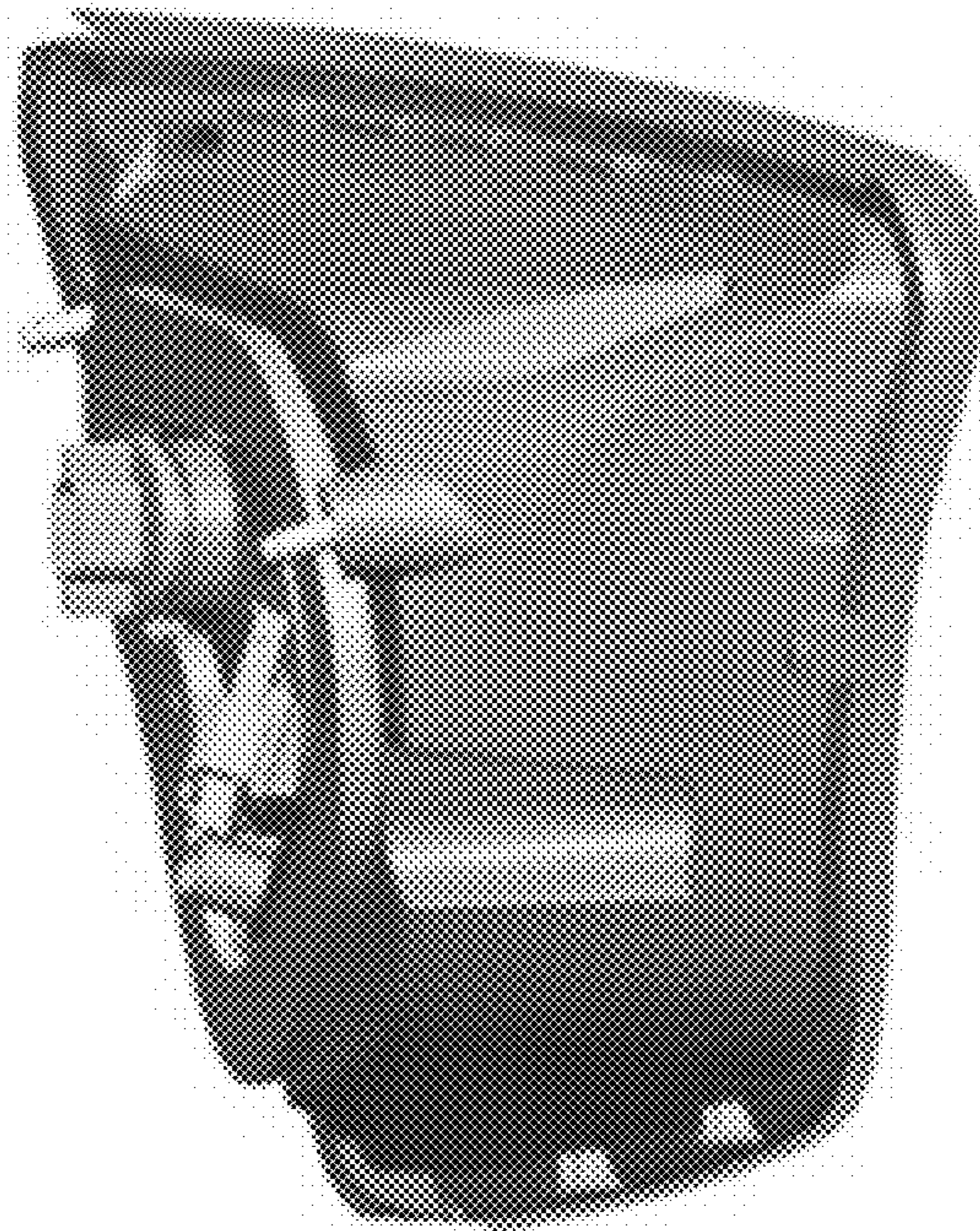
**1.2**



**1.3**



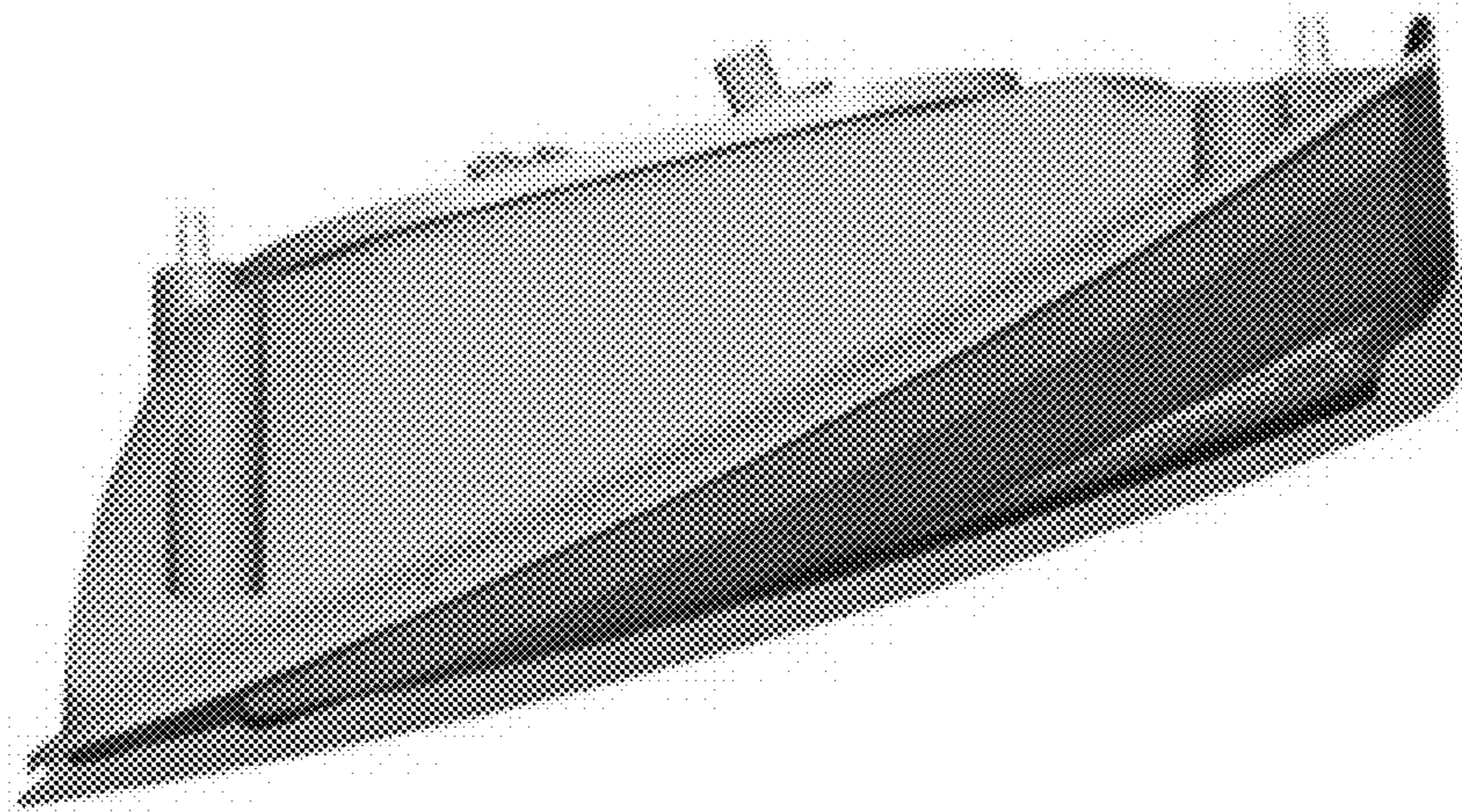
1.4



**1.5**



**1.6**



**1.7**

