



US00D827927S

(12) **United States Design Patent** (10) **Patent No.:** **US D827,927 S**
Tokko (45) **Date of Patent:** **** Sep. 4, 2018**

(54) **WORK HOLDER FOR HAIR EXTENSION**

(71) Applicant: **Ryan Tokko**, Los Angeles, CA (US)

(72) Inventor: **Ryan Tokko**, Los Angeles, CA (US)

(**) Term: **15 Years**

(21) Appl. No.: **29/613,254**

(22) Filed: **Aug. 8, 2017**

(51) **LOC (11) Cl.** **28-03**

(52) **U.S. Cl.**

USPC **D28/10; D28/73**

(58) **Field of Classification Search**

USPC D28/9-10, 44, 57, 60, 73, 81, 85;
D6/524-525, 546, 552, 566, 536, 540,
D6/542, 567; 211/30, 85.3, 106, 181.1;
D8/73; D7/590, 601, 631; D19/75

CPC A41G 5/004; A01K 13/00; F16M 13/022;
F16B 47/006; F16B 47/00; A45D 44/00;
A45D 42/14; A47K 3/122; A47K 3/281;
A47B 55/02

See application file for complete search history.

(56) **References Cited**

U.S. PATENT DOCUMENTS

- 2,145,142 A * 1/1939 Stout B41J 11/60
248/205.5
- D121,813 S * 8/1940 Isenberg D6/537
- D222,087 S * 9/1971 Hagopian 206/77.1
- 5,232,189 A * 8/1993 Koch F16B 47/00
211/106
- D354,873 S * 1/1995 Odbert D6/566
- D369,263 S * 4/1996 Gregg D6/540
- D380,327 S * 7/1997 Marshall D6/552
- D424,348 S * 5/2000 Duggan D6/540
- D435,992 S * 1/2001 Min-Tsung D6/540
- D437,515 S * 2/2001 Remmers D6/566
- 6,330,948 B1 * 12/2001 Leto A47J 47/20
211/65
- D453,651 S * 2/2002 Snell D6/537

- D465,406 S * 11/2002 Goodman D6/566
- D465,998 S * 11/2002 Goodman D6/566
- D468,190 S * 1/2003 Kennedy D15/72
- 6,609,689 B1 * 8/2003 Knapp A47K 5/04
248/205.5
- D484,345 S * 12/2003 Clucas D6/566
- 6,814,335 B2 * 11/2004 Immerman A47G 1/17
248/205.5
- D543,403 S * 5/2007 Tau D6/540
- D563,708 S * 3/2008 Snell D6/566
- D584,550 S * 1/2009 Millilo D6/540

(Continued)

OTHER PUBLICATIONS

Suction Cup Hooks Holder, HASKO Accessories, amazon.com, customer review with images posted by Kate Mahoney on Oct. 12, 2016 © 1996-2018 Amazon.com, Inc., online, site visited Jul. 16, 2018. Available from Internet, URL: <https://www.amazon.com/HASKO-accessories-Powerful-Vacuum-Suction/dp/B01525814M> (Year: 2016).*

(Continued)

Primary Examiner — Shannon W Morgan

Assistant Examiner — Altaira J Swangin

(74) *Attorney, Agent, or Firm* — Chanmin Park

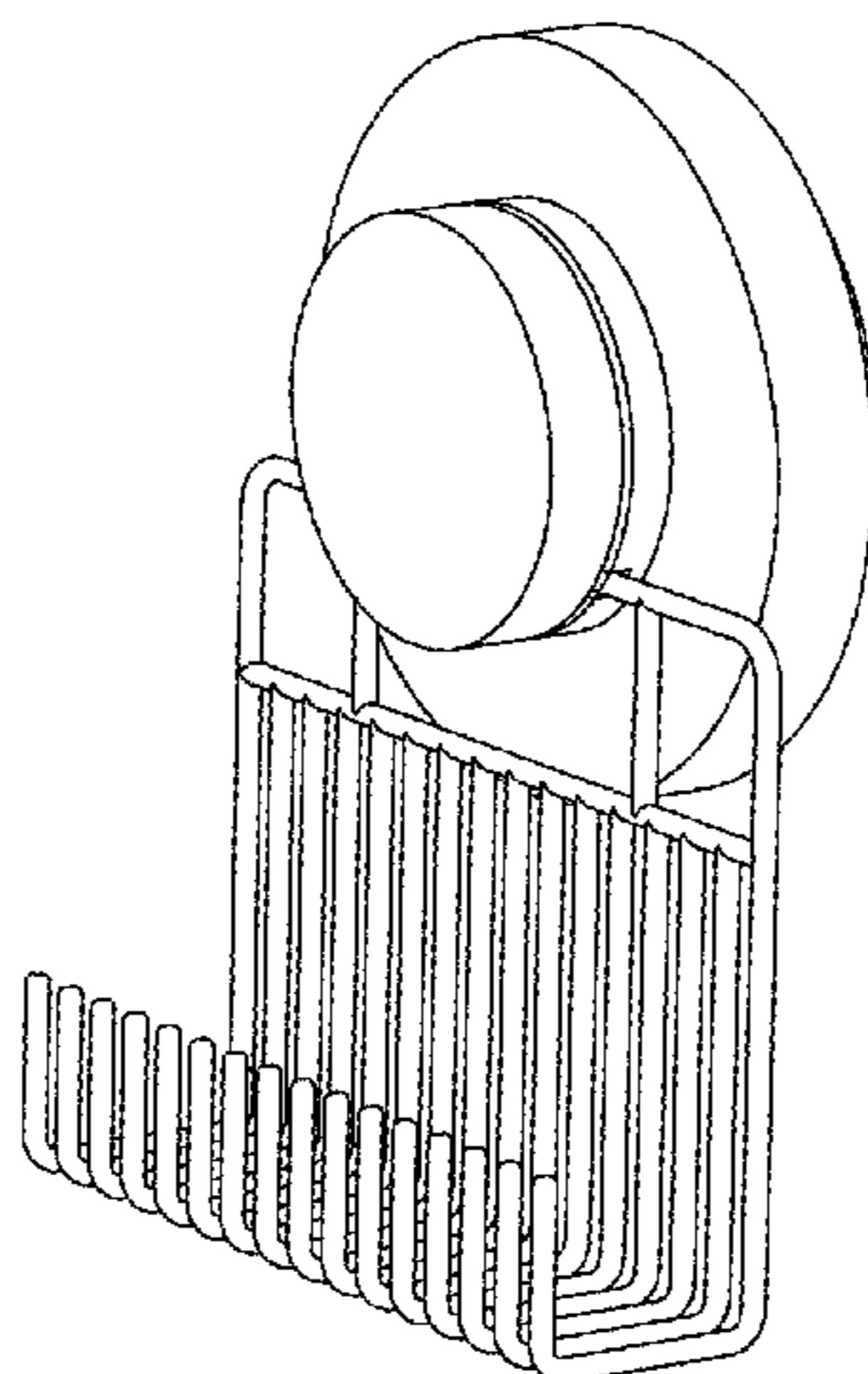
(57) **CLAIM**

The ornamental design for a work holder for hair extension, as shown and described.

DESCRIPTION

FIG. 1 is a top plan view of a work holder for hair extension showing my design;
FIG. 2 is a bottom plan view thereof;
FIG. 3 is a right side-elevation view thereof;
FIG. 4 is a left side-elevation view thereof;
FIG. 5 is a front elevation view thereof;
FIG. 6 is a rear elevation view thereof; and,
FIG. 7 is a perspective view thereof.

1 Claim, 4 Drawing Sheets



(56)

References Cited

U.S. PATENT DOCUMENTS

D634,571	S *	3/2011	Hanna	D6/524
D637,850	S *	5/2011	Ghiorghie	D3/306
8,132,766	B2 *	3/2012	Tooley	A47K 5/18 248/205.5
D697,787	S *	1/2014	Garcia	D8/395
D699,467	S *	2/2014	Tsai	D6/514
D713,651	S *	9/2014	Gilbert	D6/524
D717,068	S *	11/2014	Callif	D6/537
8,919,712	B2 *	12/2014	Chen	F16B 47/006 248/205.8
D723,301	S *	3/2015	Callif	D3/306
D737,132	S *	8/2015	Garcia	D8/395
2003/0010736	A1 *	1/2003	Hope	D06F 58/04 211/133.5
2014/0361136	A1 *	12/2014	Smith	F16B 47/006 248/363
2016/0047494	A1 *	2/2016	Dickinson	B60R 16/0215 248/74.2

OTHER PUBLICATIONS

Suction Cup Soap Dish Holder, HASKO Accessories, amazon.com, review with images by Lia Bloom on Feb. 20, 2016 © 1996-2018 Amazon.com, Inc., online, site visited Jul. 16, 2018. Available from Internet, URL: <https://www.amazon.com/HASKO-accessories-Powerful-Vacuum-Suction/dp/B01A61Z20K> (Year: 2016).*

* cited by examiner

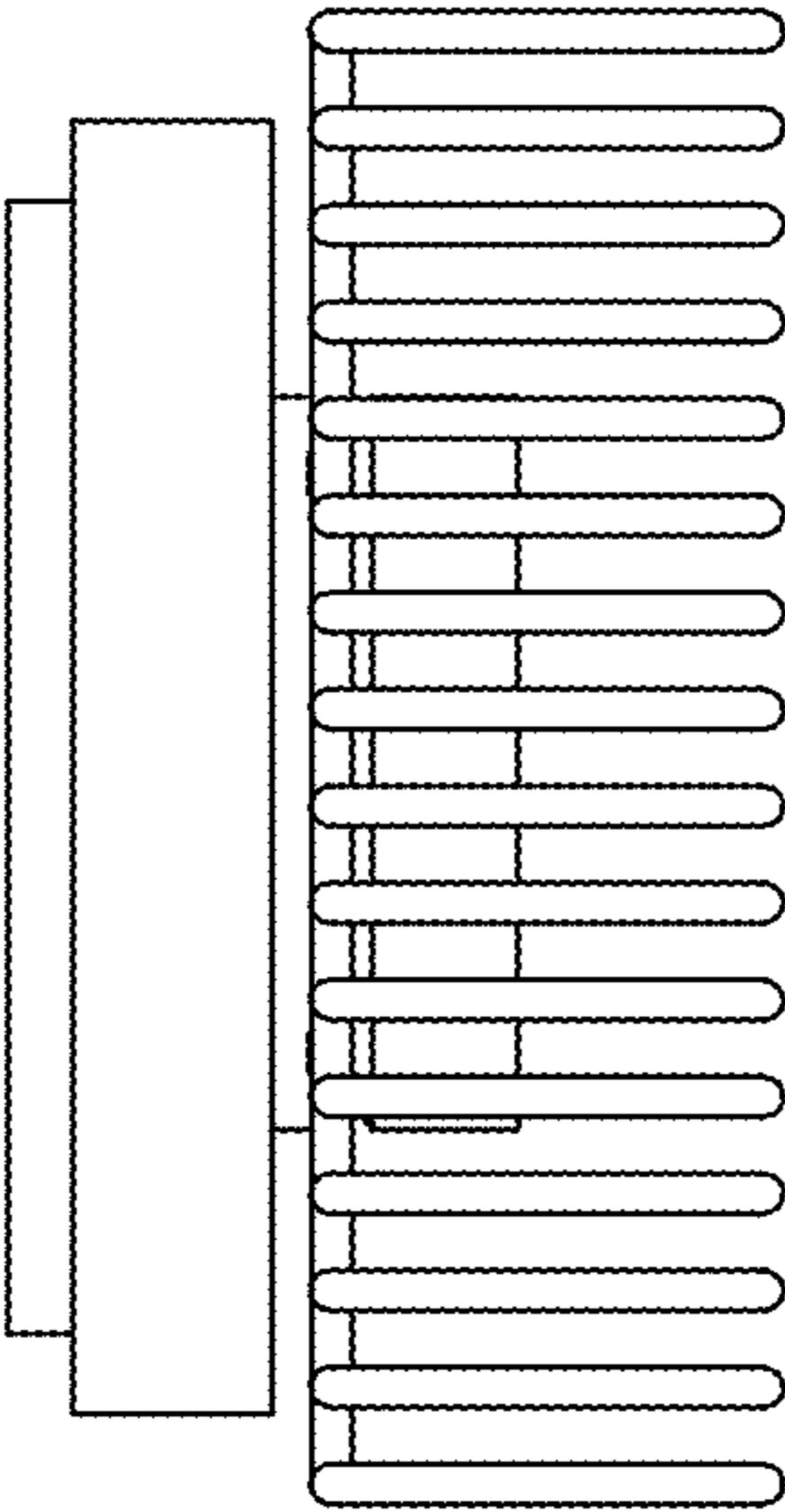


FIG. 1

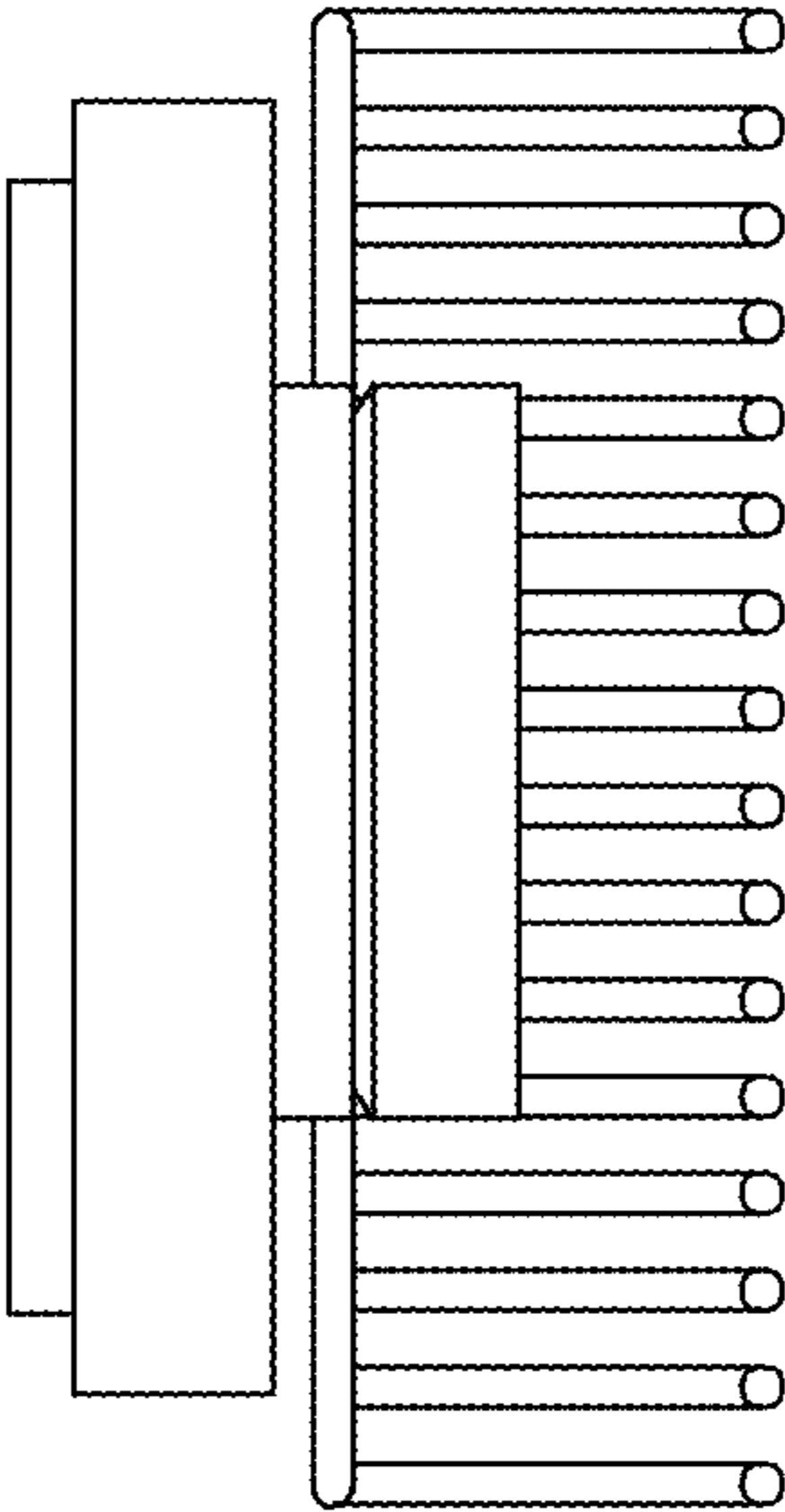


FIG. 2

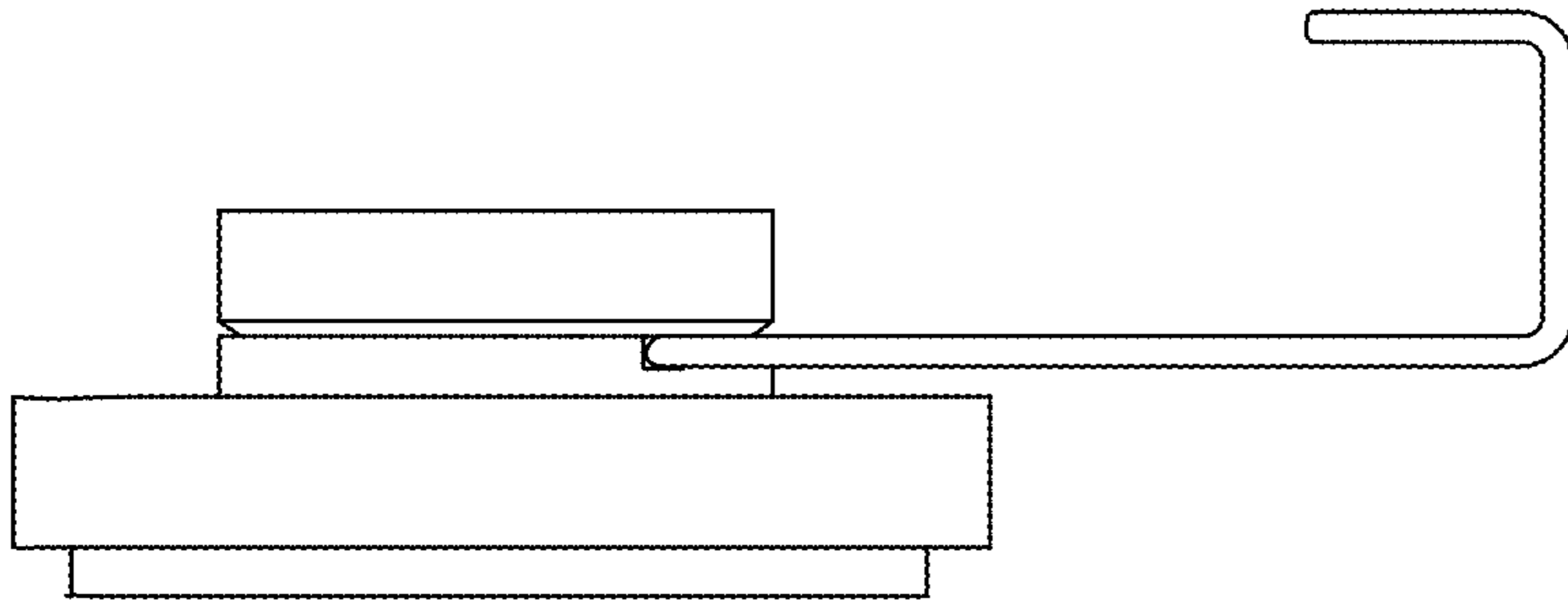


FIG. 4

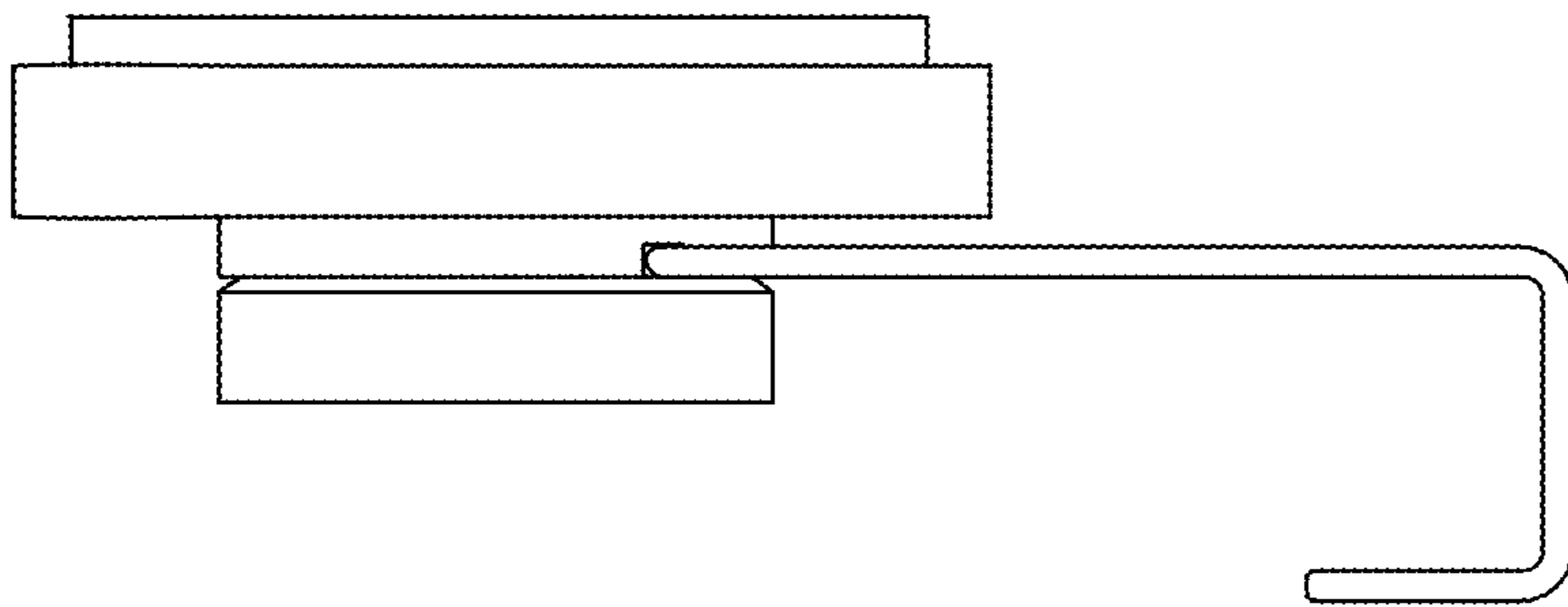


FIG. 3

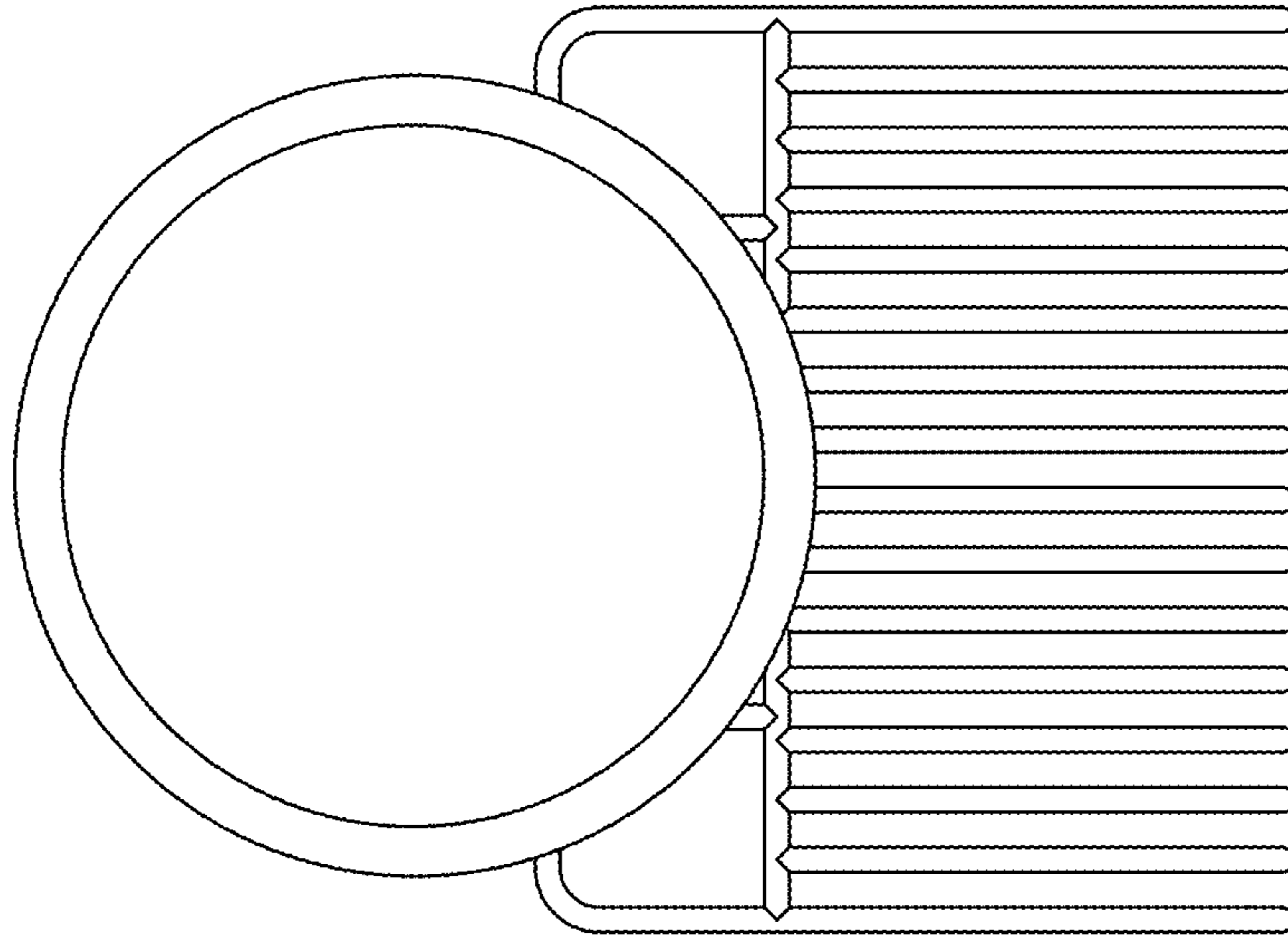


FIG. 6

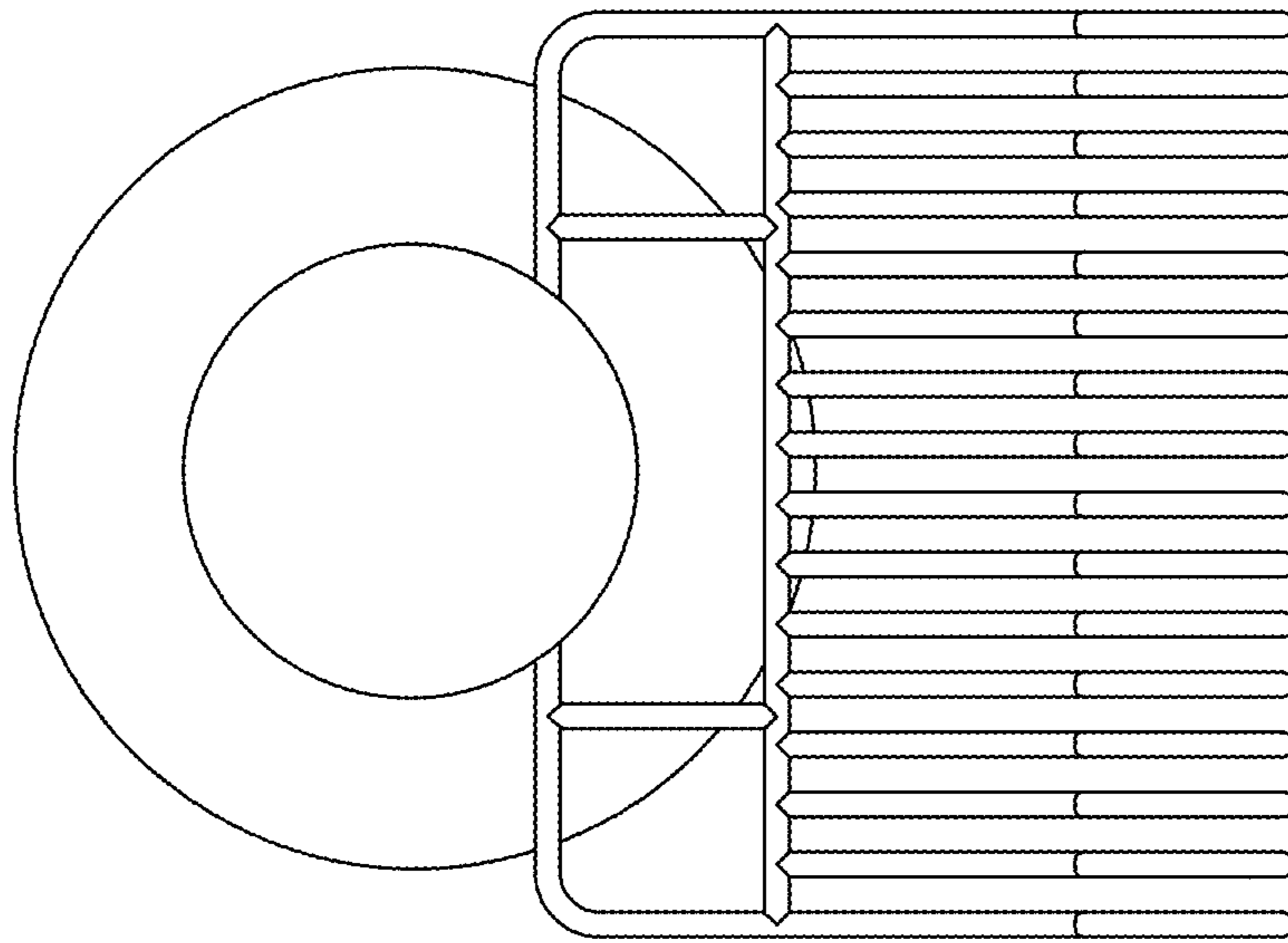


FIG. 5

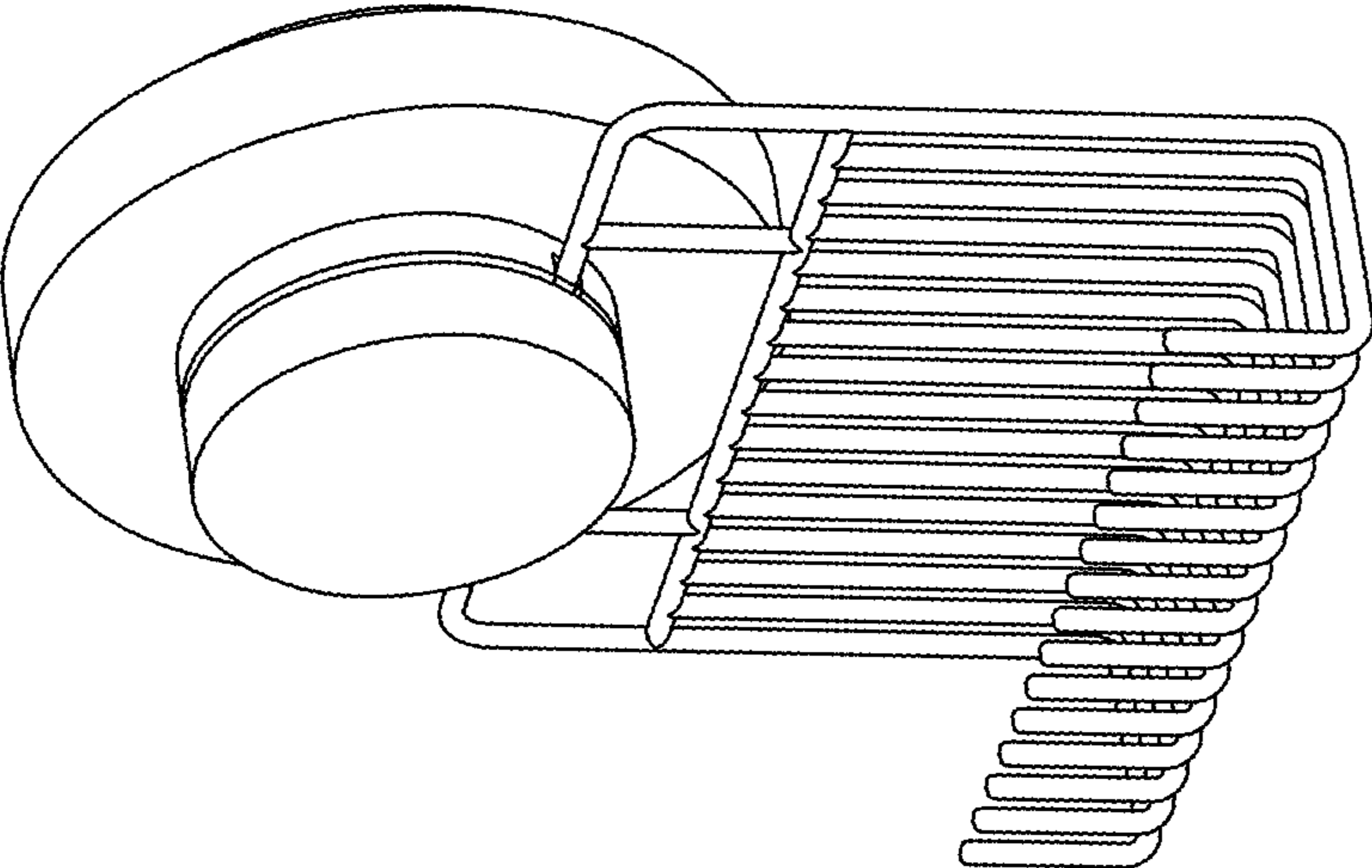


FIG. 7