



US00D827925S

(12) **United States Design Patent** (10) **Patent No.:** **US D827,925 S**  
**Marchica et al.** (45) **Date of Patent:** **\*\* \*Sep. 4, 2018**

(54) **SET OF PEEL AWAY EYELINER STENCILS**

(71) Applicants: **Paolo Marchica**, Brooklyn, NY (US);  
**Beth Bender**, Los Angeles, CA (US)

(72) Inventors: **Paolo Marchica**, Brooklyn, NY (US);  
**Beth Bender**, Los Angeles, CA (US)

(\* ) Notice: This patent is subject to a terminal disclaimer.

(\*\* ) Term: **15 Years**

(21) Appl. No.: **29/600,040**

(22) Filed: **Apr. 10, 2017**

**Related U.S. Application Data**

(63) Continuation-in-part of application No. 29/572,453, filed on Jul. 28, 2016, now Pat. No. Des. 787,116, and a continuation-in-part of application No. 29/564,195, filed on May 11, 2016, and a continuation-in-part of application No. 29/561,912, filed on Apr. 21, 2016, said application No. 29/572,453 is a continuation-in-part of application No. 29/520,790, filed on Mar. 18, 2015, now Pat. No. Des. 775,763, and a continuation-in-part of application No. 29/522,898, filed on Apr. 3, 2015, now Pat. No. Des. 765,909, and a continuation-in-part of application No. 29/522,902, filed on Apr. 3, 2015, now Pat. No. Des. 765,312, and a continuation-in-part of application No. 29/520,792, filed on Mar. 18, 2015, now Pat. No. Des. 765,311, said application No. 29/564,195 is a continuation-in-part of application No. 29/507,114, filed on Oct. 23, 2014, now Pat. No. Des. 758,007, said application No. 29/520,790 is a continuation-in-part of application No. 14/243,877, filed on Apr. 2, 2014, now abandoned.

(51) **LOC (11) Cl.** ..... **28-03**

(52) **U.S. Cl.**  
USPC ..... **D28/7**

(58) **Field of Classification Search**

USPC ..... D28/4, 7, 9, 92, 93, 99; 132/285, 319,  
132/320, 333; D19/37, 39, 40; D10/64  
CPC ..... A45D 40/30; A45D 26/0014  
See application file for complete search history.

(56) **References Cited**

**U.S. PATENT DOCUMENTS**

4,653,483 A	3/1987	Clavin
4,714,084 A	12/1987	Berry
4,807,650 A	2/1989	Bliss
4,854,307 A	8/1989	Elfenbein
4,886,079 A	12/1989	Mooney
4,936,325 A	6/1990	Davis
5,186,190 A	2/1993	Hirzel
5,205,301 A	4/1993	Nakamura
5,396,913 A	3/1995	Wallschlaeger
5,662,129 A	9/1997	Grenevitch
5,836,998 A	11/1998	Mueller
5,860,433 A	1/1999	Halpern

(Continued)

*Primary Examiner* — Zenia Bennett

(74) *Attorney, Agent, or Firm* — Kevin Keener; Keener and Associates P.C.

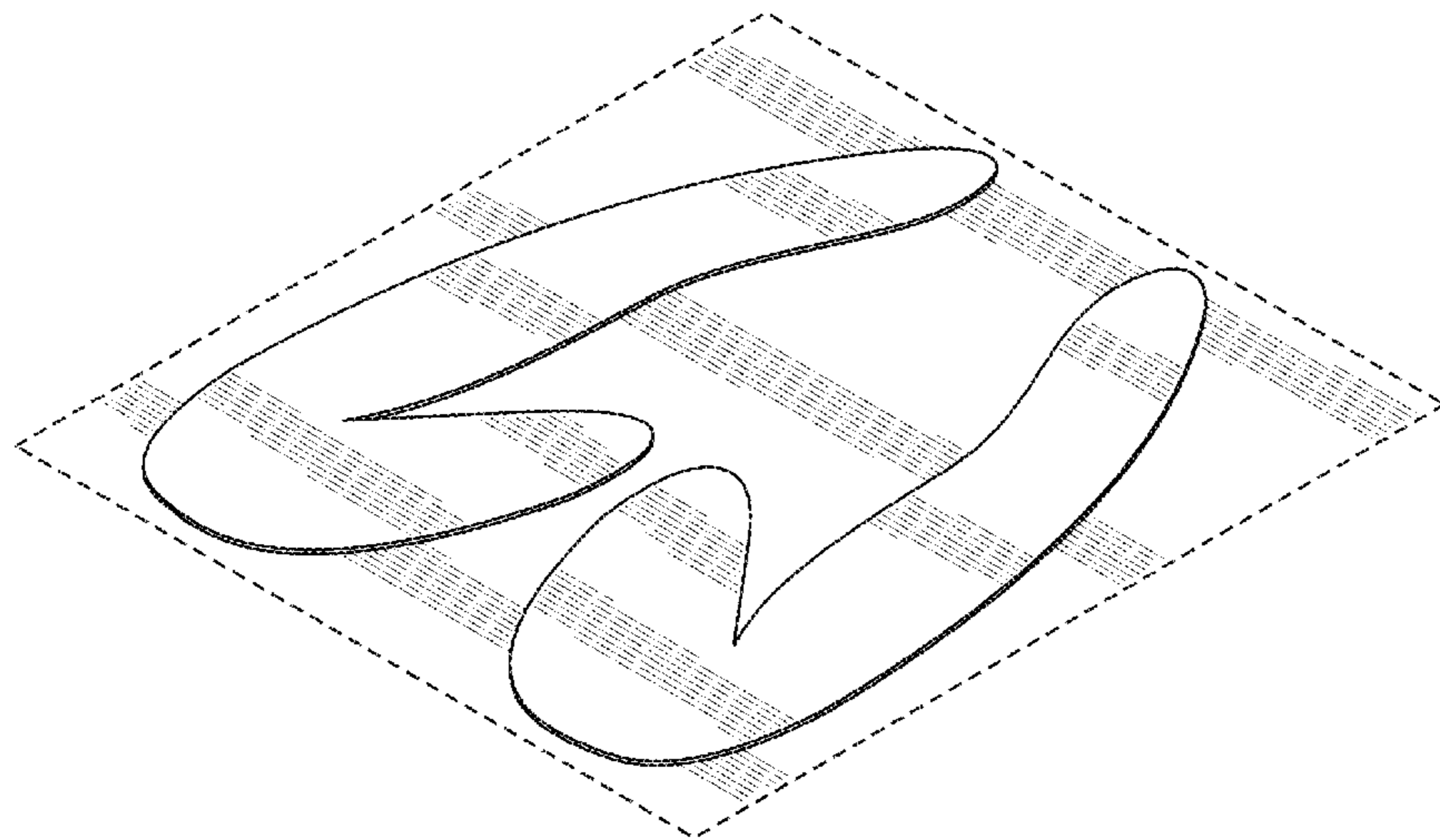
(57) **CLAIM**

The ornamental design for a set of peel away eyeliner stencils, as shown and described.

**DESCRIPTION**

FIG. 1 is a front perspective view of a set of peel away eyeliner stencils on a perforated wax paper sheet;  
FIG. 2 is a top view thereof;  
FIG. 3 is a front view thereof;  
FIG. 4 is a left view thereof;  
FIG. 5 is a right view thereof;  
FIG. 6 is a bottom view thereof; and,  
FIG. 7 is an exploded view thereof.  
The broken lines in the drawings form no part of the claimed design.

**1 Claim, 4 Drawing Sheets**



(56)

References Cited

U.S. PATENT DOCUMENTS

6,035,867 A	3/2000	Barrick	2004/0089319 A1	5/2004	Thayer
6,062,234 A	5/2000	Finocciaro	2004/0107975 A1	6/2004	Bender
6,062,235 A	5/2000	Renna	2004/0168702 A1	9/2004	Faragi
6,076,531 A	6/2000	Gueret	2004/0231688 A1	11/2004	Thayer
6,161,554 A	12/2000	Dunlap-Harris	2004/0231694 A1	11/2004	Rosenblatt
6,206,010 B1	3/2001	Malki	2005/0066992 A1	3/2005	Carsh et al.
6,240,842 B1	6/2001	Hailey	2005/0257805 A1	11/2005	Williams
6,336,462 B1	1/2002	Santelli	2006/0150994 A1	7/2006	Pilmanis
6,435,195 B1	8/2002	Joulia	2006/0249173 A1	11/2006	Lawson
6,598,608 B1	7/2003	Downey	2007/0006748 A1	1/2007	Liu
6,622,733 B2	9/2003	Saksa	2007/0062551 A1	3/2007	DeBrouwer et al.
6,655,390 B2	12/2003	Gueret	2007/0062552 A1	3/2007	DeBrouwer et al.
6,701,938 B2	3/2004	Faragi	2007/0251541 A1	11/2007	Nasu et al.
6,807,970 B2	10/2004	Thayer	2008/0196737 A1	8/2008	Stewart
6,823,860 B2	11/2004	Igaki et al.	2008/0276953 A1	11/2008	McGee
6,857,432 B2	2/2005	De Laforcade	2009/0000637 A1	1/2009	Takano
7,219,674 B1	5/2007	Shelley	2009/0032053 A1	2/2009	Khan et al.
7,334,586 B2	2/2008	Pilmanis	2009/0032054 A1	2/2009	Griffiths et al.
7,470,077 B2	12/2008	Theibaut	2009/0044820 A1	2/2009	Soare
7,559,426 B2	7/2009	Habatjou	2009/0151744 A1	6/2009	Villanueva
7,762,270 B2	7/2010	De Brouwer	2009/0183747 A1	7/2009	Salicunaj
7,798,061 B2	9/2010	Dilou	2009/0183750 A1	7/2009	Platt-Gregory
D625,623 S	10/2010	Smink	2009/0194126 A1	8/2009	Cassese
7,886,397 B2	2/2011	Gueret	2009/0260648 A1	10/2009	Castelluccio
D639,855 S	6/2011	Fried	2010/0018542 A1	1/2010	Konrad
D642,617 S	8/2011	Eckardt	2010/0154813 A1	6/2010	Deeds
7,992,577 B2	8/2011	DeBrouwer et al.	2010/0236564 A1	9/2010	Ilekti
8,015,981 B2	9/2011	Soare	2011/0073125 A1	3/2011	Losilevich
8,051,860 B1	11/2011	Pereira	2011/0088716 A1	4/2011	Villanueva
8,074,667 B2	12/2011	Villanueva	2011/0094533 A1	4/2011	Dempsey et al.
8,141,564 B2	3/2012	Cassese	2011/0100392 A1	5/2011	Smith et al.
8,205,624 B2	6/2012	Gueret	2011/0165102 A1	7/2011	Arditty et al.
D663,769 S	7/2012	Sward	2012/0107263 A1	5/2012	Bui et al.
8,235,060 B2	8/2012	Konrad	2012/0128746 A1	5/2012	Maitra et al.
8,267,097 B2	9/2012	Abergel et al.	2012/0180808 A1	7/2012	Nakamura et al.
D668,975 S	10/2012	Phillips	2012/0222694 A1	9/2012	Soare
8,342,190 B2	1/2013	Soare	2012/0266911 A1	10/2012	Haman et al.
8,393,336 B2	3/2013	Abergel et al.	2012/0272980 A1	11/2012	Samain et al.
8,424,542 B1	4/2013	Han	2013/0025613 A1	1/2013	Branch
8,459,274 B2	6/2013	Ducoffre	2013/0089584 A1	4/2013	Jager Lezer
8,474,464 B2	7/2013	Smith	2013/0098385 A1	4/2013	Soare
8,505,552 B1	8/2013	Soare	2013/0125911 A1	5/2013	Mammone
8,561,622 B1	10/2013	Sanchez	2013/0160785 A1	6/2013	Thevenet
8,684,013 B2	4/2014	Haman et al.	2013/0263885 A1	10/2013	Sternad
8,752,560 B2	6/2014	Salicunaj	2013/0291882 A1	11/2013	Nakamura
8,752,563 B2	6/2014	Lieu	2013/0306091 A1	11/2013	Soare
8,763,614 B2	7/2014	Soare	2014/0144457 A1	5/2014	Soare
8,881,740 B2	11/2014	Soare	2014/0158147 A1	6/2014	Butcher
8,925,558 B2	1/2015	Johnson	2014/0209114 A1	7/2014	Johnson
D734,891 S *	7/2015	Sternad	2014/0311514 A1	10/2014	Soare
D741,006 S *	10/2015	Sternad	2014/0345639 A1	11/2014	Samain et al.
D753,219 S	4/2016	Needham	2015/0020844 A1	1/2015	Nishimura et al.
D758,007 S *	5/2016	Marchica	2015/0114420 A1	4/2015	Gafni
D761,489 S *	7/2016	Krakovszki	2015/0114422 A1	4/2015	Abraham et al.
D765,310 S *	8/2016	Marchica	2015/0114427 A1	4/2015	Johnson
D765,311 S *	8/2016	Marchica	2015/0265030 A1	9/2015	Kusukame et al.
D765,312 S *	8/2016	Marchica	2015/0282595 A1	10/2015	Kimura et al.
D765,909 S *	9/2016	Marchica	2015/0296960 A1	10/2015	Samaco, III
D775,763 S *	1/2017	Marchica	2015/0297470 A1	10/2015	Kimura et al.
D776,343 S *	1/2017	Rhoades	2015/0327648 A1	11/2015	Takata
2002/0005209 A1	1/2002	Gueret	2015/0359318 A1	12/2015	Martin
2003/0015214 A1	1/2003	Faragi	2015/0366763 A1	12/2015	Barilari
2003/0234028 A1	12/2003	Edell	2015/0374101 A1	12/2015	Levi
			2016/0051033 A1	2/2016	Abraham et al.

\* cited by examiner

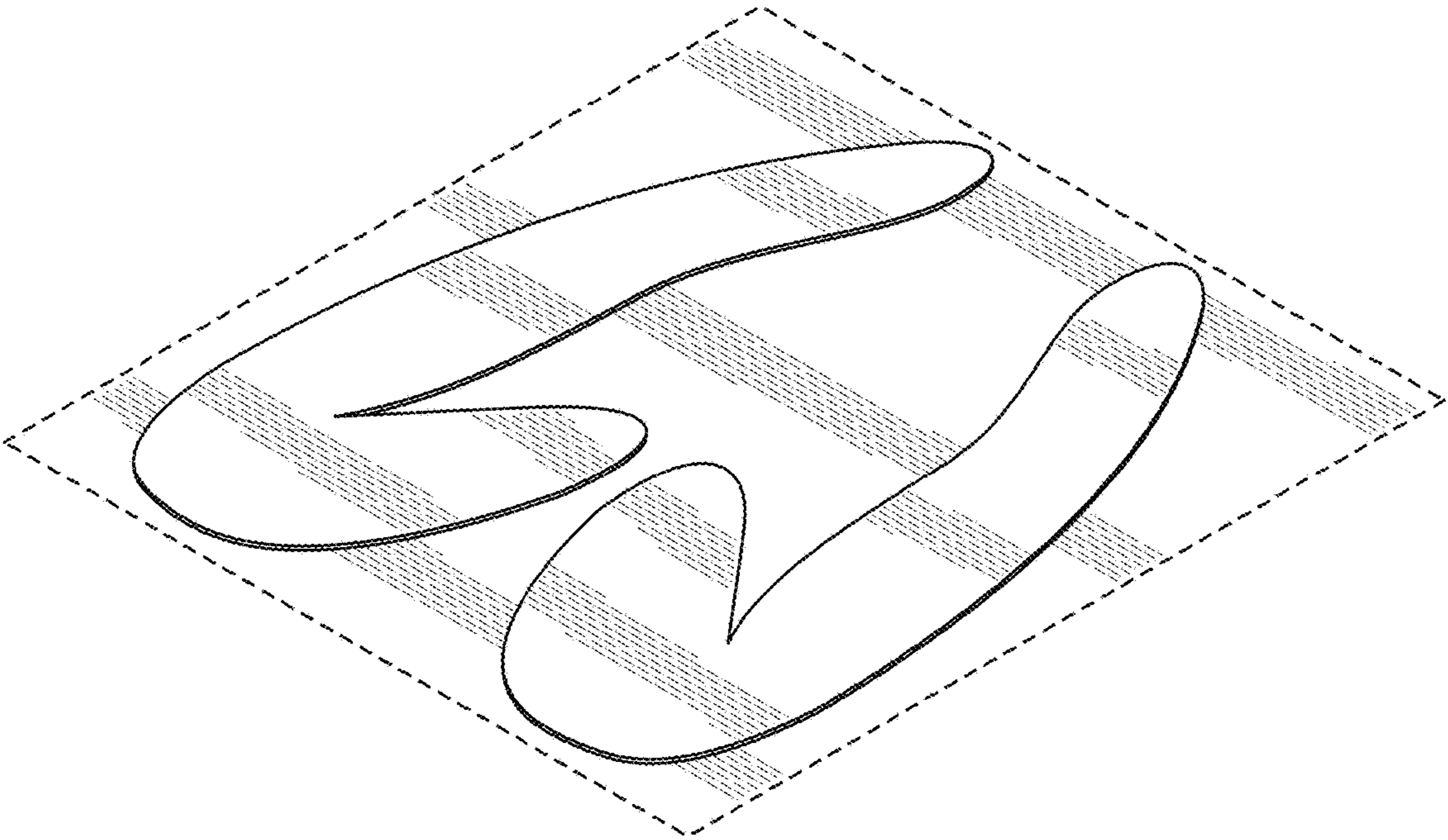


FIG. 1

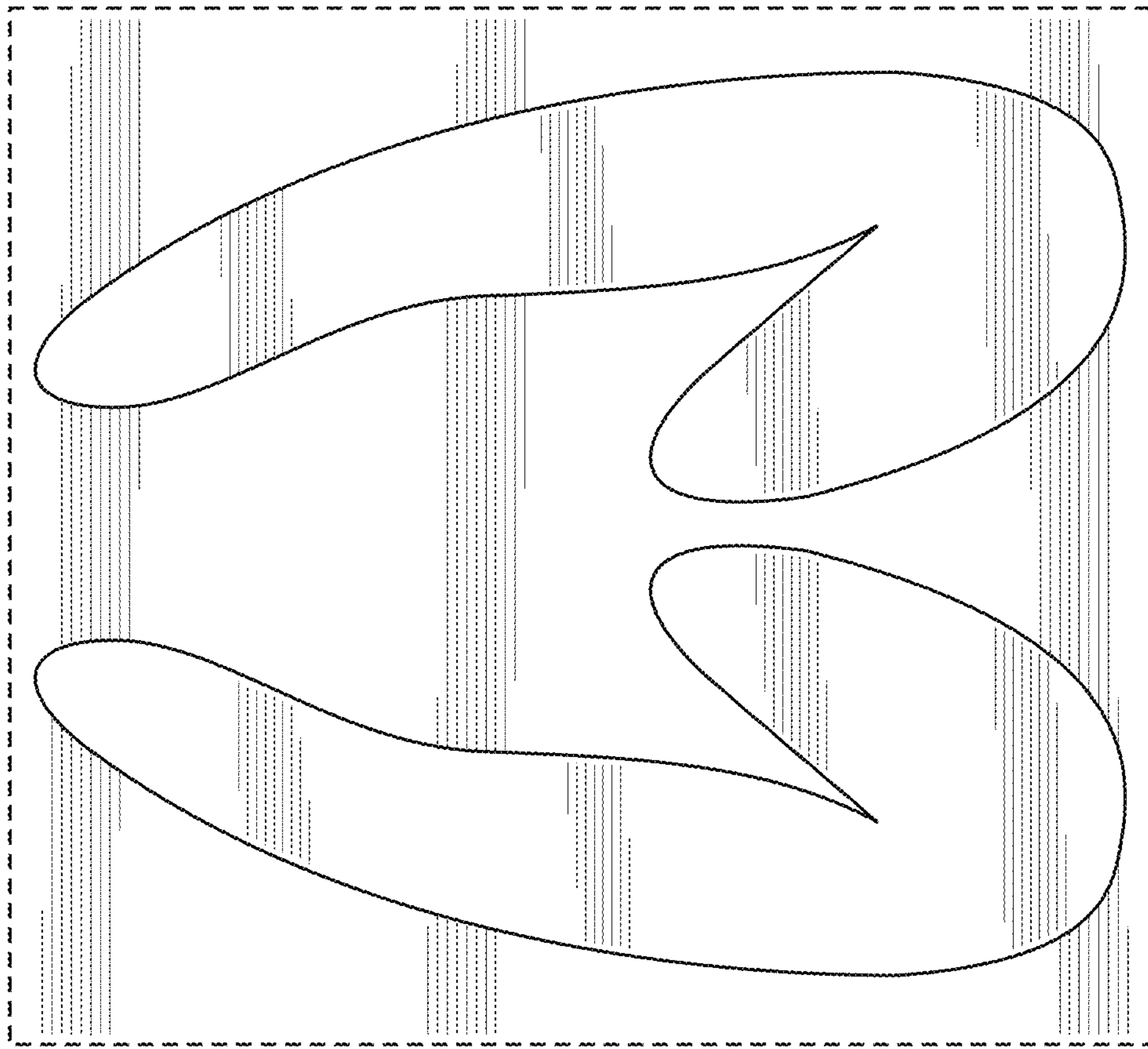


FIG. 2



FIG. 3



FIG. 4



FIG. 5

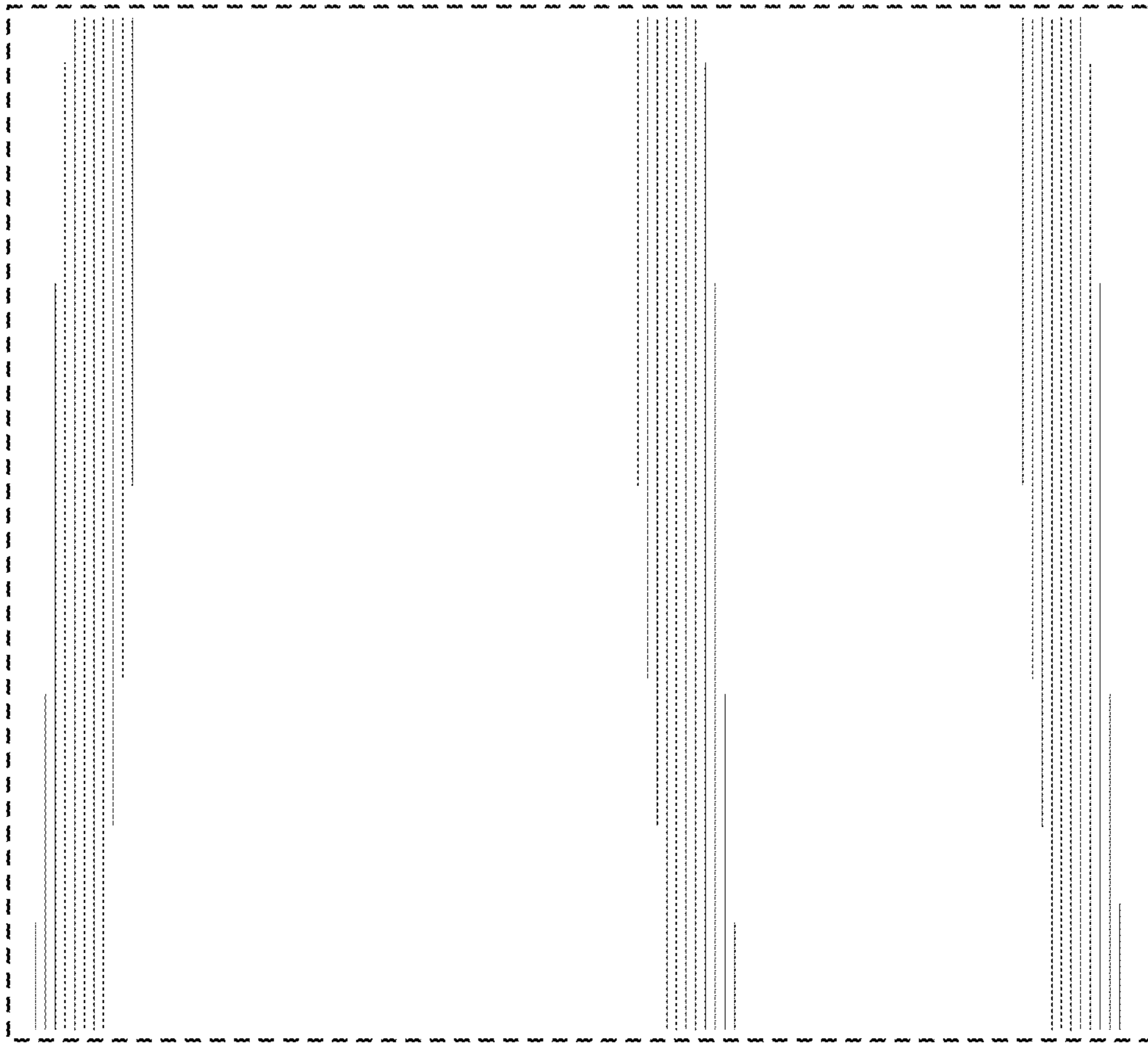


FIG. 6

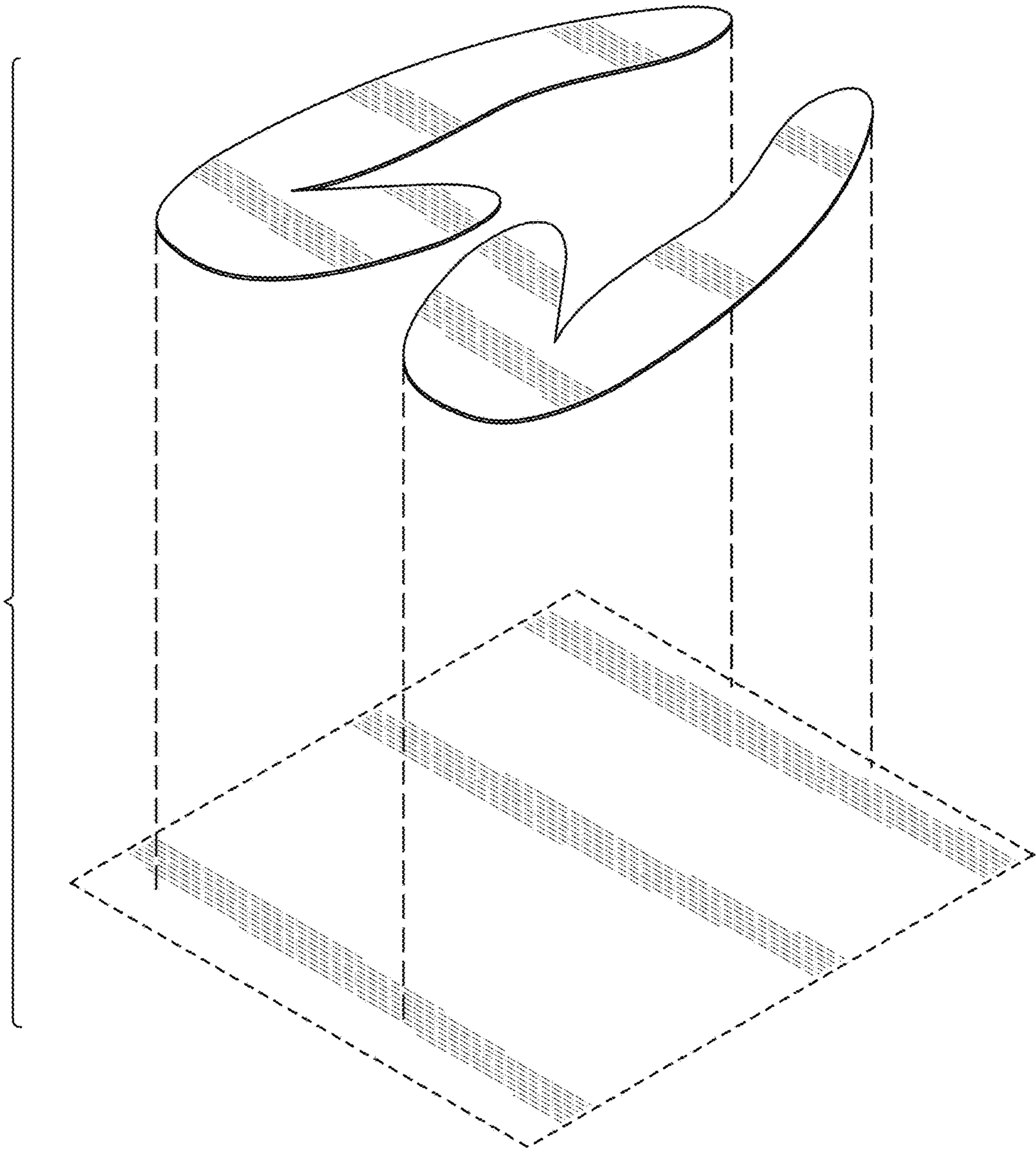


FIG. 7