



US00D827923S

(12) **United States Design Patent**
Whetsel et al.

(10) **Patent No.:** **US D827,923 S**

(45) **Date of Patent:** **** Sep. 4, 2018**

(54) **DISPLAY JAR**

(71) Applicants: **Sam Whetsel**, Charleston, SC (US);
Daniel Einhorn, Charleston, SC (US)

(72) Inventors: **Sam Whetsel**, Charleston, SC (US);
Daniel Einhorn, Charleston, SC (US)

(**) Term: **15 Years**

(21) Appl. No.: **29/607,789**

(22) Filed: **Jun. 16, 2017**

(51) **LOC (11) Cl.** **27-99**

(52) **U.S. Cl.**
USPC **D27/194; D27/172**

(58) **Field of Classification Search**
USPC D27/100, 101, 162, 163, 172, 183, 184,
D27/185, 186, 187, 188, 189, 193, 194,
D27/191; D9/445, 563, 516, 549;
D7/316, 318
CPC A24F 1/30; A24F 5/04; A24F 9/00; A24F
47/002
See application file for complete search history.

(56) **References Cited**

U.S. PATENT DOCUMENTS

D479,692 S * 9/2003 Nilsson D10/46.2
D596,463 S * 7/2009 Poindexter D7/509
D613,121 S * 4/2010 Luft D7/533
D646,524 S * 10/2011 Kortleven D7/531

D678,727 S * 3/2013 Kolar D7/533
D745,739 S * 12/2015 Abadi D27/162
D746,512 S * 12/2015 Sahni D27/162
D803,287 S * 11/2017 Whetsel D16/135
2012/0152263 A1* 6/2012 Schoenfeld A24F 3/00
131/186

OTHER PUBLICATIONS

The Escojar by Smokus Focus. found onlind [Apr. 9, 2018] <https://www.smokusfocus.com/shop/the-escojar/>.*

* cited by examiner

Primary Examiner — Brandon M Rosati

Assistant Examiner — Marissa J Cash

(74) *Attorney, Agent, or Firm* — Gregory Finch; Finch Paolino, LLC

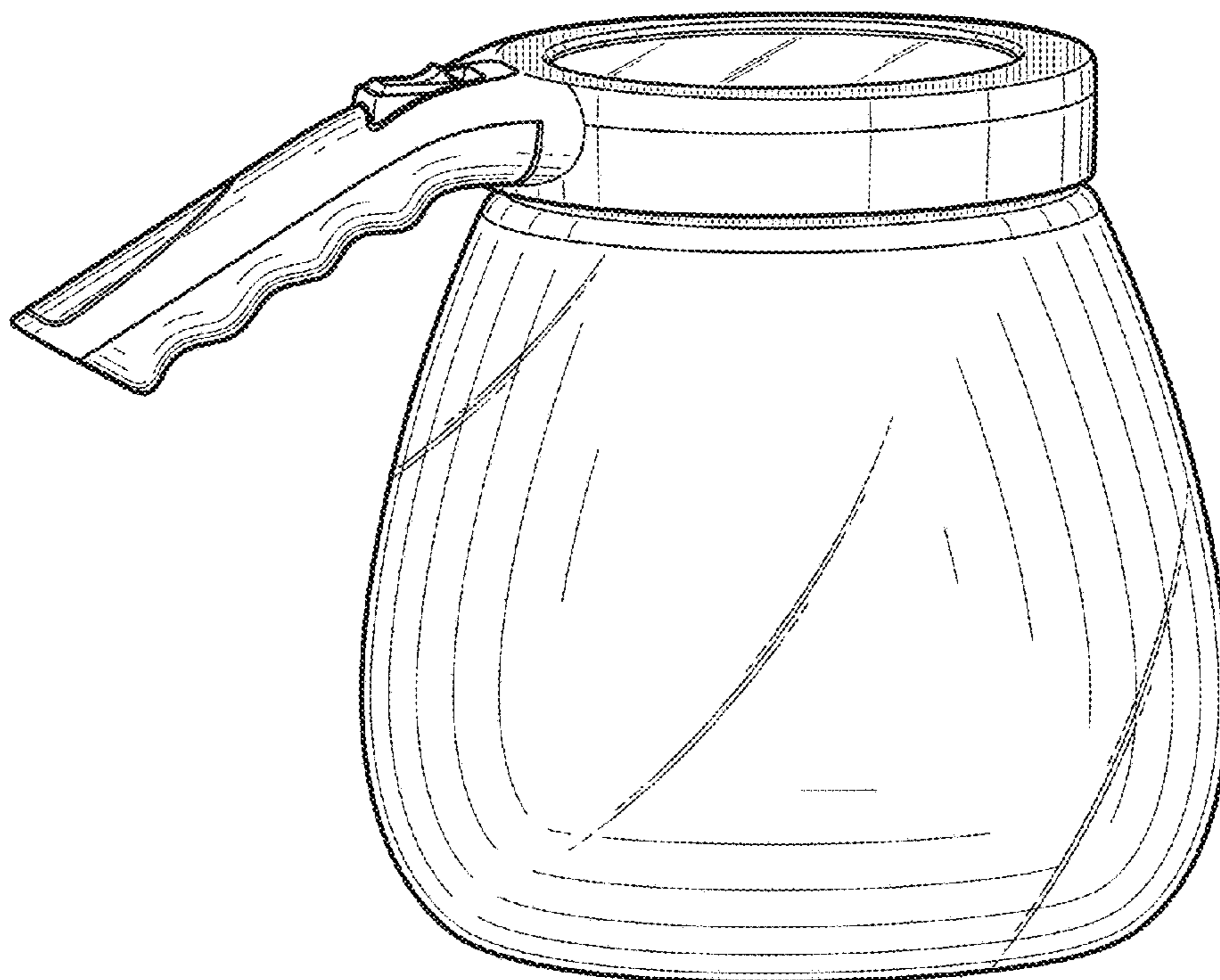
(57) **CLAIM**

The design for a display jar, as shown and described.

DESCRIPTION

FIG. 1 is an isometric view of the display jar embodying the present ornamental design;
FIG. 2 is a rear view thereof;
FIG. 3 is a front view thereof;
FIG. 4 is a left side view thereof;
FIG. 5 is a right side view thereof;
FIG. 6 is a top plan view thereof; and,
FIG. 7 is a bottom plan view thereof.

1 Claim, 7 Drawing Sheets



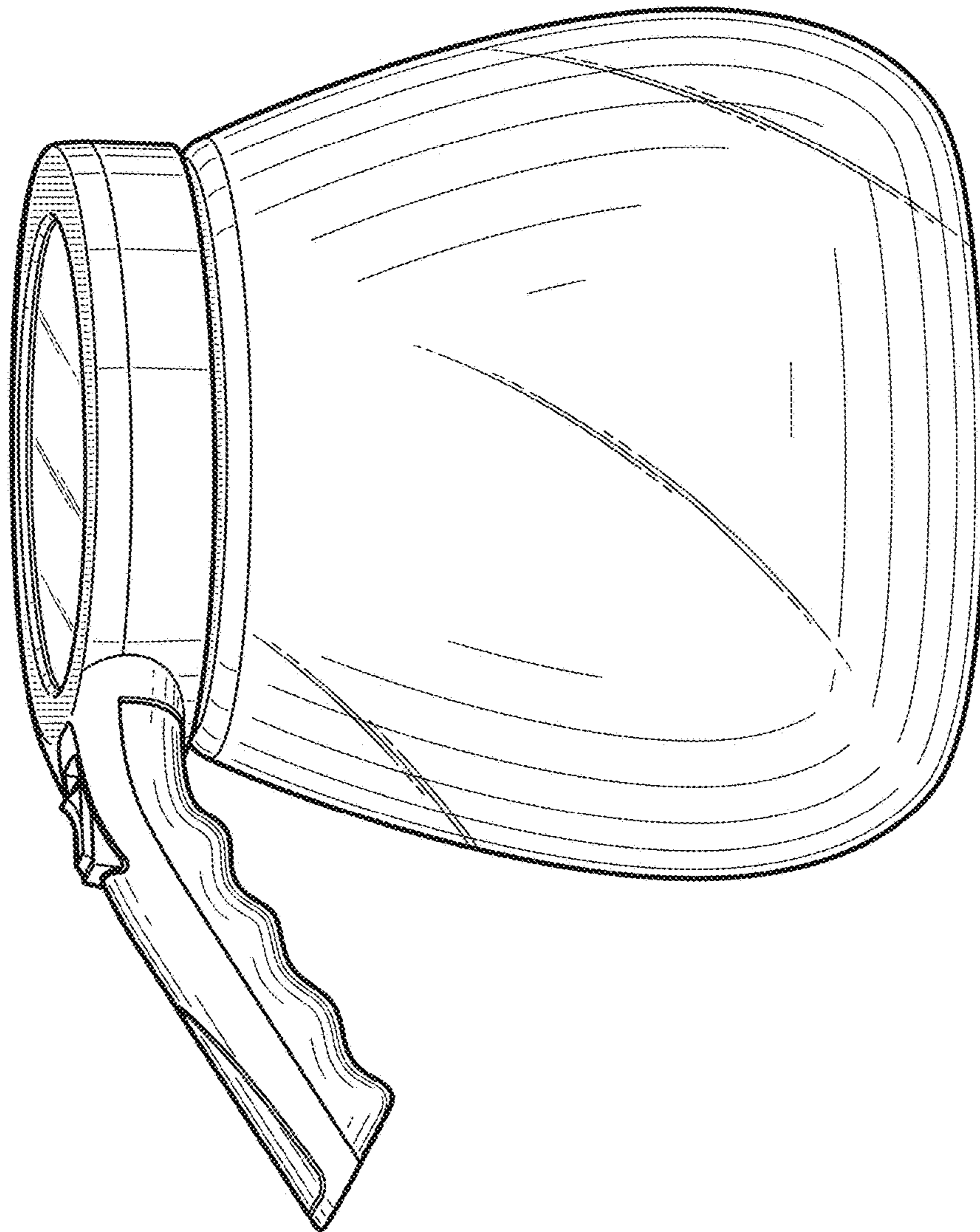


FIG. 1

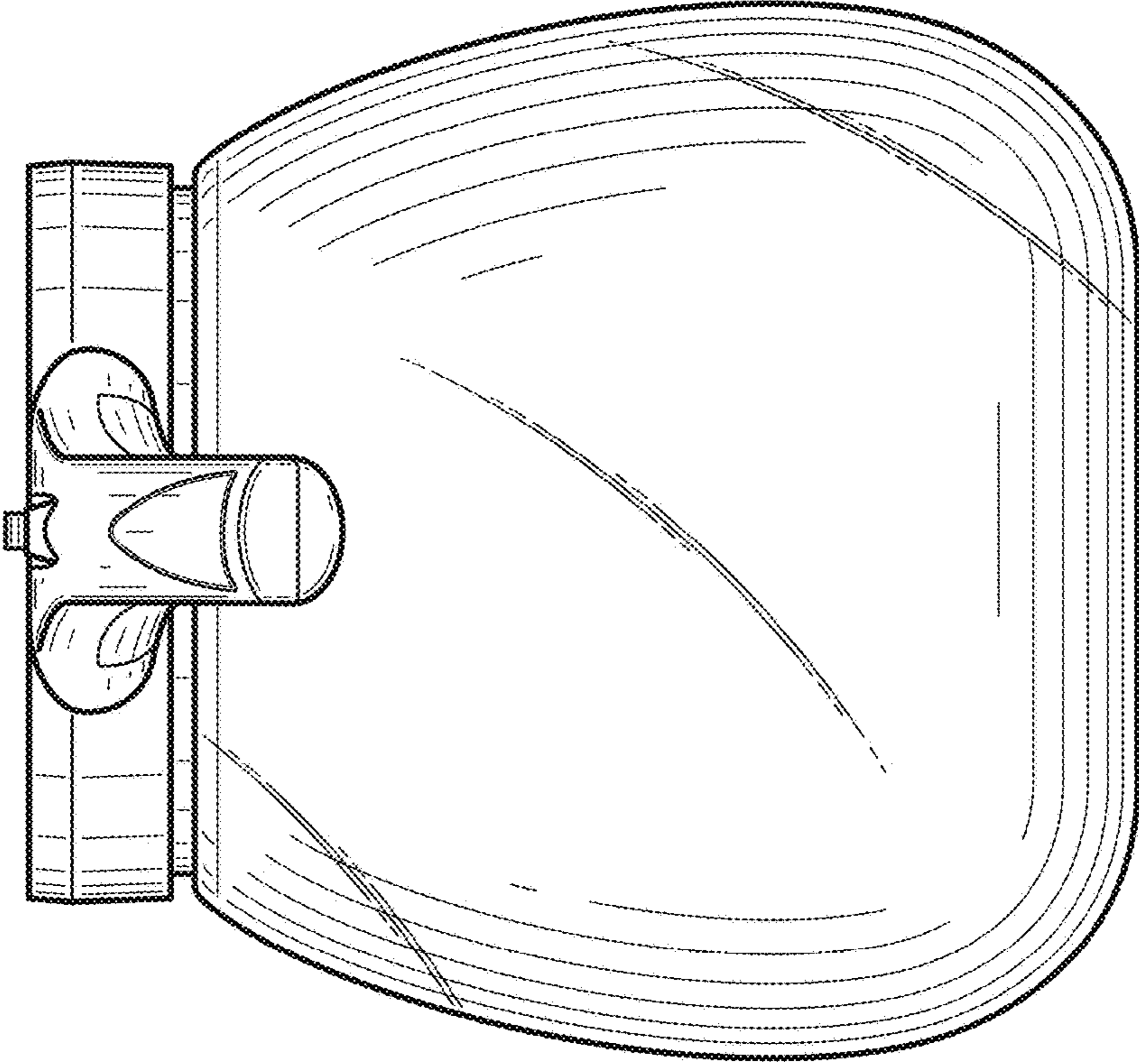


FIG. 2

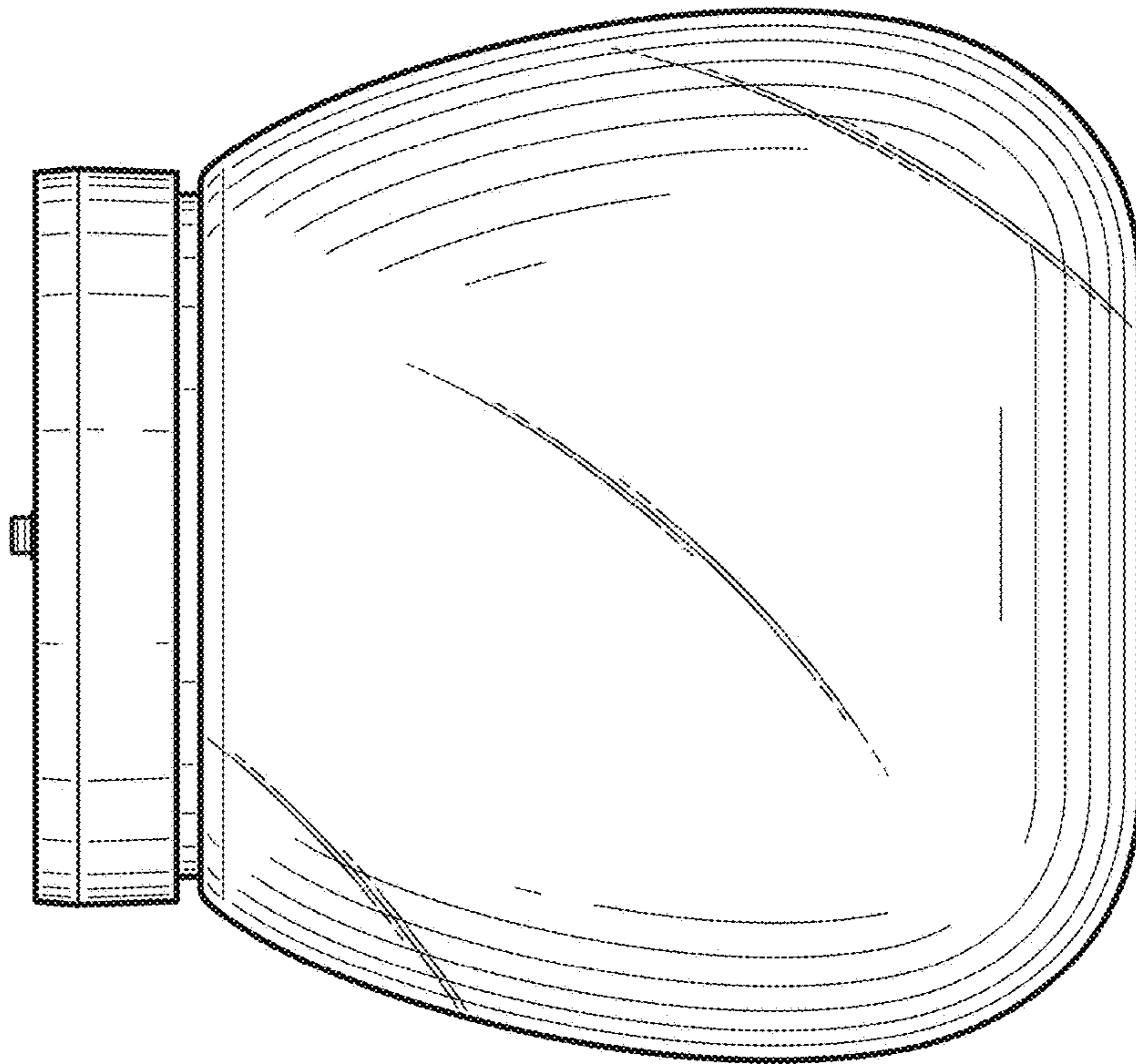


FIG. 3

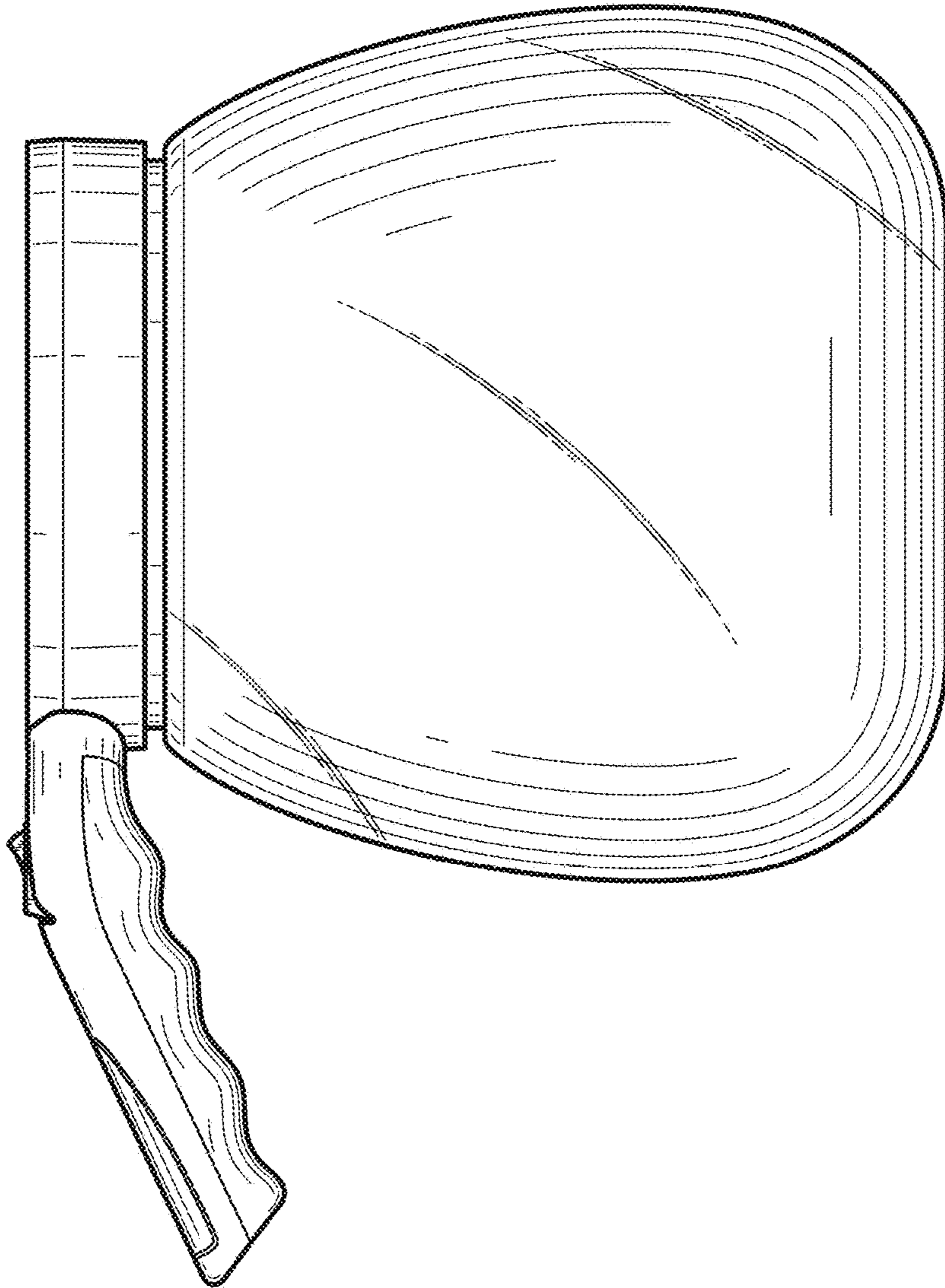


FIG. 4

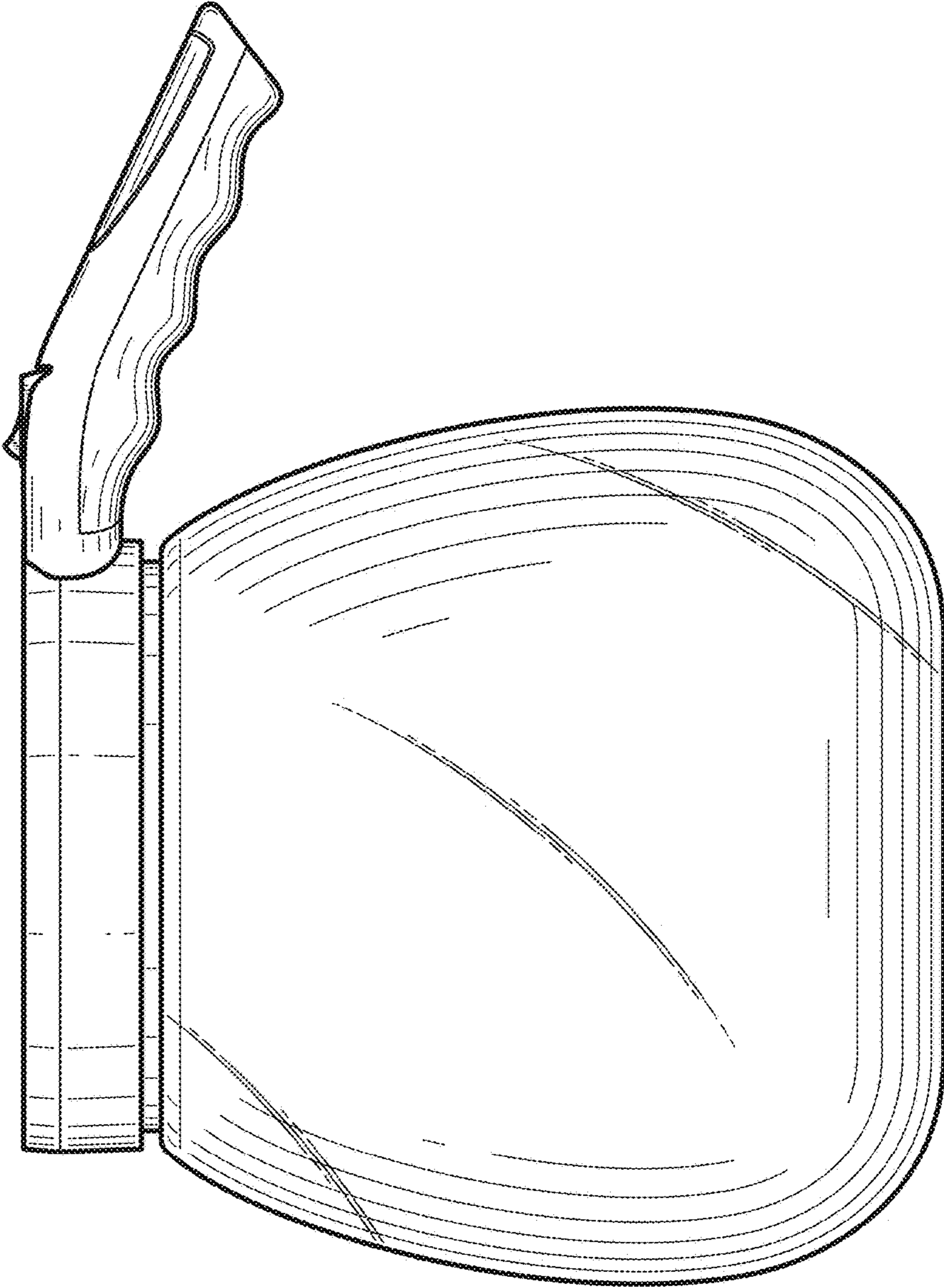


FIG. 5

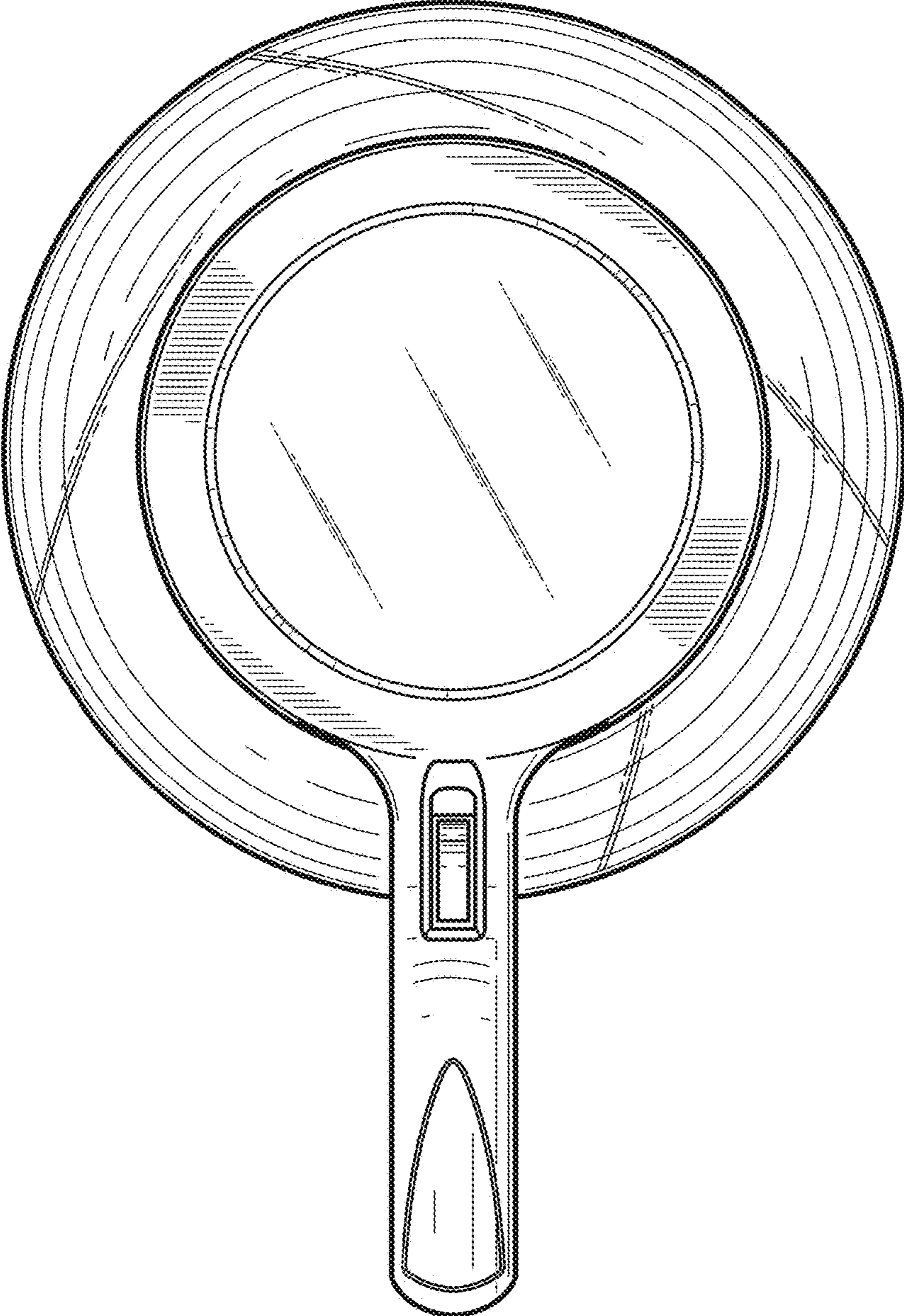


FIG. 6

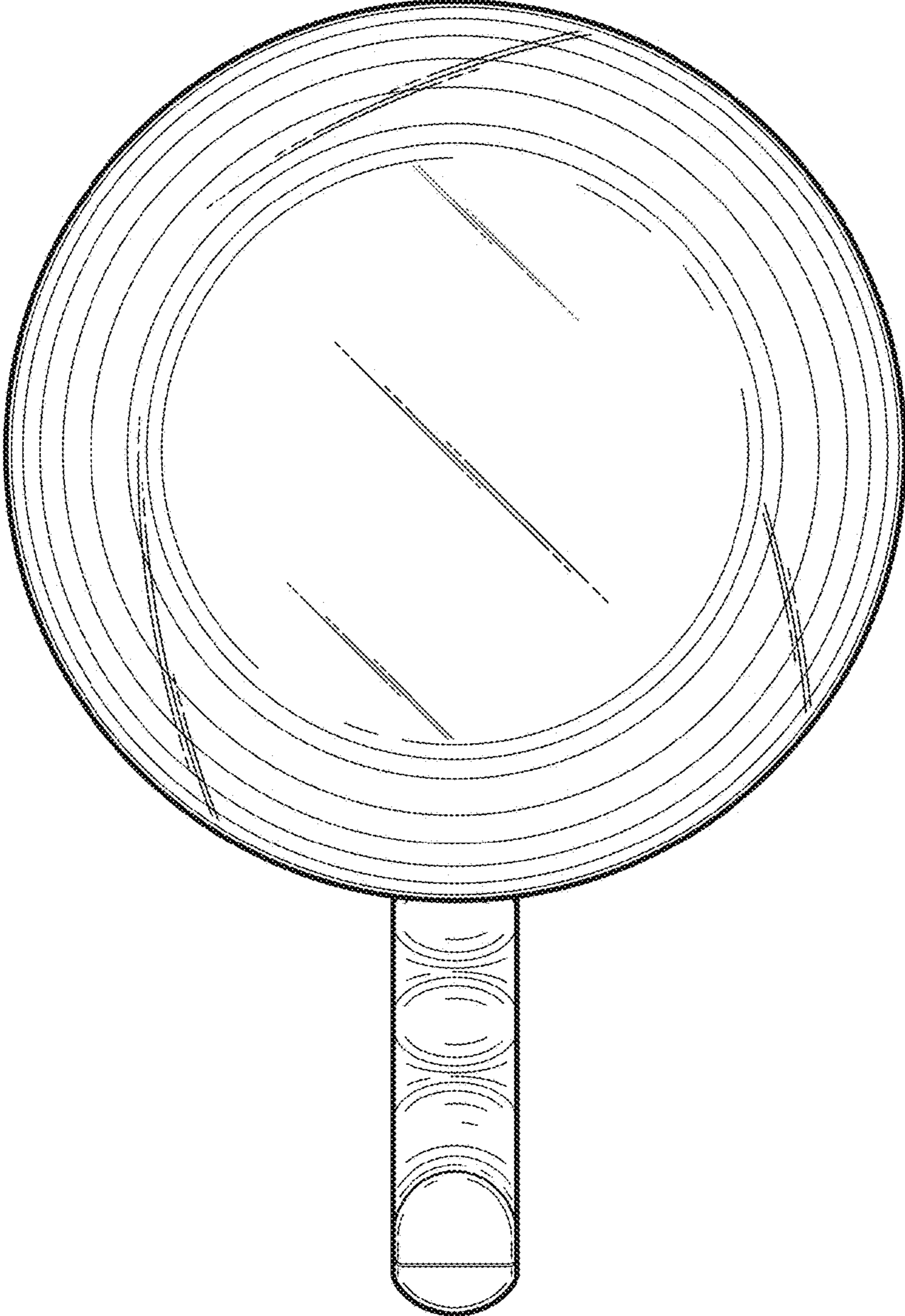


FIG. 7