



US00D827920S

(12) **United States Design Patent**
Fornarelli

(10) **Patent No.:** **US D827,920 S**
(45) **Date of Patent:** **** Sep. 4, 2018**

(54) **VAPORIZING ASSEMBLY**

(71) Applicant: **AVANZATO TECHNOLOGY CORP.**,
Chicago, IL (US)

(72) Inventor: **Thomas Fornarelli**, Chicago, IL (US)

(73) Assignee: **AVANZATO TECHNOLOGY CORP.**,
Chicago, IL (US)

(**) Term: **15 Years**

(21) Appl. No.: **29/543,463**

(22) Filed: **Oct. 23, 2015**

(51) **LOC (11) Cl.** **27-01**

(52) **U.S. Cl.**
USPC **D27/101; D27/194**

(58) **Field of Classification Search**
USPC D27/100, 101, 102, 103, 104, 105, 125,
D27/137, 162, 163-169, 170, 171,
(Continued)

(56) **References Cited**

U.S. PATENT DOCUMENTS

D590,988 S * 4/2009 Hon D27/101
D590,990 S * 4/2009 Hon D27/101
(Continued)

Primary Examiner — Brandon M Rosati

Assistant Examiner — Marissa J Cash

(74) *Attorney, Agent, or Firm* — Flener IP & Business
Law; Zareefa B. Flener

(57) **CLAIM**

The ornamental design for a vaporizing assembly, as shown
and described.

DESCRIPTION

FIG. 1 is an exploded view of the tank of a vaporizing
assembly in accordance with a first embodiment showing
my new design;

FIG. 2 is a front view of the embodiment of FIG. 1 with the
tank and seal hidden from view;

FIG. 3 is an exploded view of the first embodiment
in FIG. 1, shown in an alternate environment of use;

FIG. 4 is a rear view of the first embodiment in FIG. 2,
shown in an alternate environment of use, with the tank and
seal hidden from view;

FIG. 5 is an exploded side view of the vaporizing assembly
as shown in FIGS. 1 and 7, the opposite side being a mirror
image thereof;

FIG. 6 is a side view of the vaporizing assembly as shown
in FIGS. 1 and 7, the opposite side being a mirror image
thereof;

FIG. 7 is an exploded top elevational view of the tank and
tank cover portion of the vaporizing assembly, shown in an
alternate environment of use;

FIG. 8 is an exploded bottom elevational view of the tank
and tank cover portion of the vaporizing assembly in FIG. 7;

FIG. 9 is a front elevational view of a second embodiment
of a transparent tank of the vaporizing assembly, the rear
elevational view being a mirror image thereof;

FIG. 10 is a front elevational view of a third embodiment of
an opaque tank of the vaporizing assembly, the rear eleva-
tional view being a mirror image thereof;

FIG. 11 is a front elevational view of a fourth embodiment
of a transparent tank of the vaporizing assembly, the rear
elevational view being a mirror image thereof;

FIG. 12 is a front elevational view of a fifth embodiment of
an opaque tank of the vaporizing assembly, the rear eleva-
tional view being a mirror image thereof;

FIG. 13 is a front elevational view of a sixth embodiment of
a transparent tank of the vaporizing assembly, the rear
elevational view being a mirror image thereof;

FIG. 14 is a front elevational view of a seventh embodiment
of an opaque tank of the vaporizing assembly, the rear
elevational view being a mirror image thereof;

FIG. 15 is a bottom plan of a sealed transparent tank portion
of the vaporizing assembly;

FIG. 16 is a bottom plan view of a sealed opaque tank
portion of the vaporizing;

FIG. 17 is a top plan view of a transparent tank portion of
the vaporizing assembly;

(Continued)

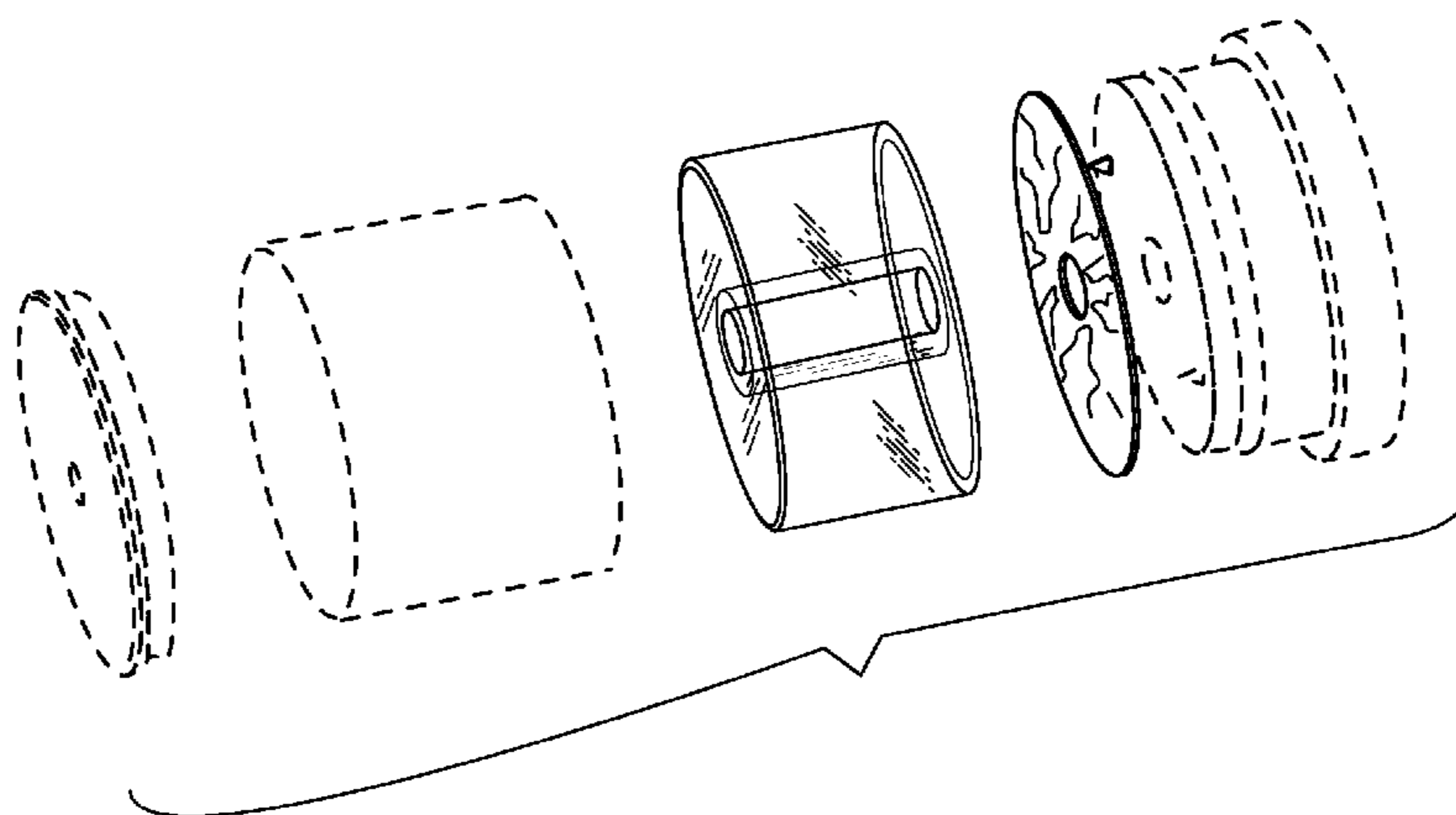


FIG. 18 is a top plan view of a sealed tank portion of the vaporizing assembly, the top plan view of the sealed opaque tank portion being the same;

FIG. 19 is a front elevational view of a sealed transparent tank portion of the vaporizing assembly, the rear elevational view being a mirror image thereof; and,

FIG. 20 is a front elevational view of a seal opaque tank portion of the vaporizing assembly, the rear elevational view being a mirror image thereof.

In the drawings, the broken lines depict environmental subject matter only and form no part of the claimed design.

1 Claim, 7 Drawing Sheets

(58) Field of Classification Search

USPC D27/172-194; D23/366; D13/103;
D9/452, 453, 454, 457
CPC A24F 1/30; A24F 5/04; A24F 9/00; A24F
47/002; A24F 47/008; A24F 7/00; A61M
15/0021

See application file for complete search history.

(56) References Cited

U.S. PATENT DOCUMENTS

D590,991 S * 4/2009 Hon D27/101
D652,987 S * 1/2012 Kaljura D27/101
D653,390 S * 1/2012 Kaljura D27/101
D683,897 S * 6/2013 Liu D27/170
D723,215 S * 2/2015 Chen D27/101
D723,216 S * 2/2015 Chen D27/101
8,955,522 B1 * 2/2015 Bowen A24F 47/008
128/202.21
D725,821 S * 3/2015 Levin D27/101
D725,822 S * 3/2015 Liu D27/101
D728,154 S * 4/2015 Lavanchy D27/100
D728,155 S * 4/2015 Liu D27/101
D728,156 S * 4/2015 Wu D27/101
D750,834 S * 3/2016 Wei D27/101
D750,835 S * 3/2016 Wei D27/101
D755,440 S * 5/2016 Collen D27/163
D757,994 S * 5/2016 Moradian D27/101

D759,296 S * 6/2016 Abroff D27/101
D760,947 S * 7/2016 Hearn D27/101
D764,702 S * 8/2016 Di Bari D27/101
D768,915 S * 10/2016 Wright D27/101
D773,727 S * 12/2016 Eksouzian D27/101
D773,729 S * 12/2016 Jordan D27/194
D776,337 S * 1/2017 Levin D27/101
D779,722 S * 2/2017 Volodarsky D27/162
D782,728 S * 3/2017 Pinder D27/101
D782,729 S * 3/2017 Wright D27/101
D784,609 S * 4/2017 Liu D27/101
D790,122 S * 6/2017 Hawes D27/101
D790,126 S * 6/2017 Bennett D27/101
D792,021 S * 7/2017 Beer D27/101
D792,645 S * 7/2017 Fornarelli D27/167
D797,369 S * 9/2017 Yamada D27/101
D799,110 S * 10/2017 Qiu D27/101
D799,112 S * 10/2017 Qiu D27/101
D799,113 S * 10/2017 Qiu D27/101
D799,745 S * 10/2017 Qiu D27/101
D802,207 S * 11/2017 Bramley D27/170
D803,475 S * 11/2017 Scheiber D27/101
D804,090 S * 11/2017 Verleur D27/101
D804,091 S * 11/2017 Fornarelli D27/101
D805,246 S * 12/2017 Fakhouri D27/101
D808,580 S * 1/2018 Kwitel D27/101
D809,189 S * 1/2018 Liu D27/101
D809,190 S * 1/2018 Schuler D27/101
D810,355 S * 2/2018 Liu D27/101
D811,004 S * 2/2018 Yamada D27/101
D811,651 S * 2/2018 Abroff D27/101
D812,807 S * 3/2018 Thuery D27/101
D813,445 S * 3/2018 Scott D27/101
D813,446 S * 3/2018 Moor D27/101
D813,447 S * 3/2018 Watson D27/162
D814,102 S * 3/2018 Lehoux D27/101
D814,103 S * 3/2018 Levinson D27/101
D815,339 S * 4/2018 Wallace D27/101
D815,341 S * 4/2018 Qiu D27/101
D815,342 S * 4/2018 Sutton D27/169
D816,267 S * 4/2018 Fornarelli D27/101
2017/0027230 A1 * 2/2017 Fornarelli A24F 47/008
2017/0105451 A1 * 4/2017 Fornarelli A24F 47/008
2017/0251720 A1 * 9/2017 Heidenreich A24F 1/28
2017/0332701 A1 * 11/2017 Fornarelli A24F 47/008
2017/0354180 A1 * 12/2017 Fornarelli A24F 47/008

* cited by examiner

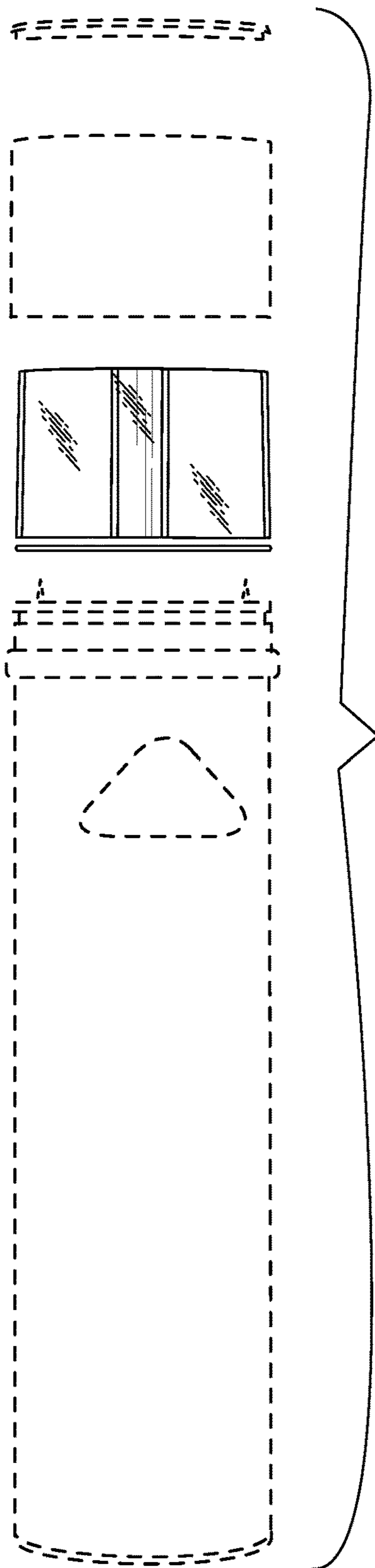


FIG. 1

FIG. 2

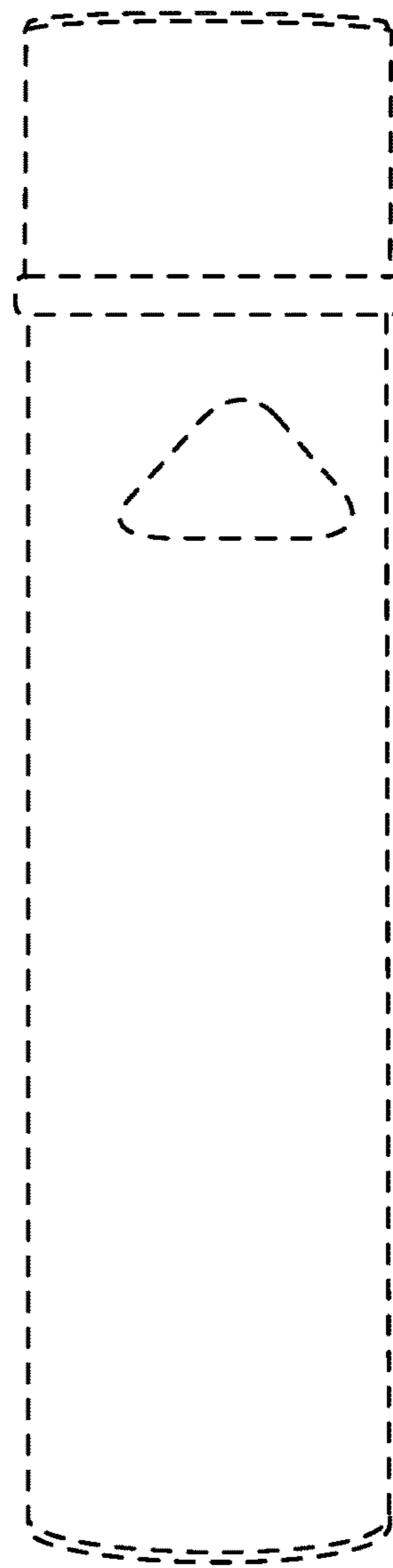


FIG. 3

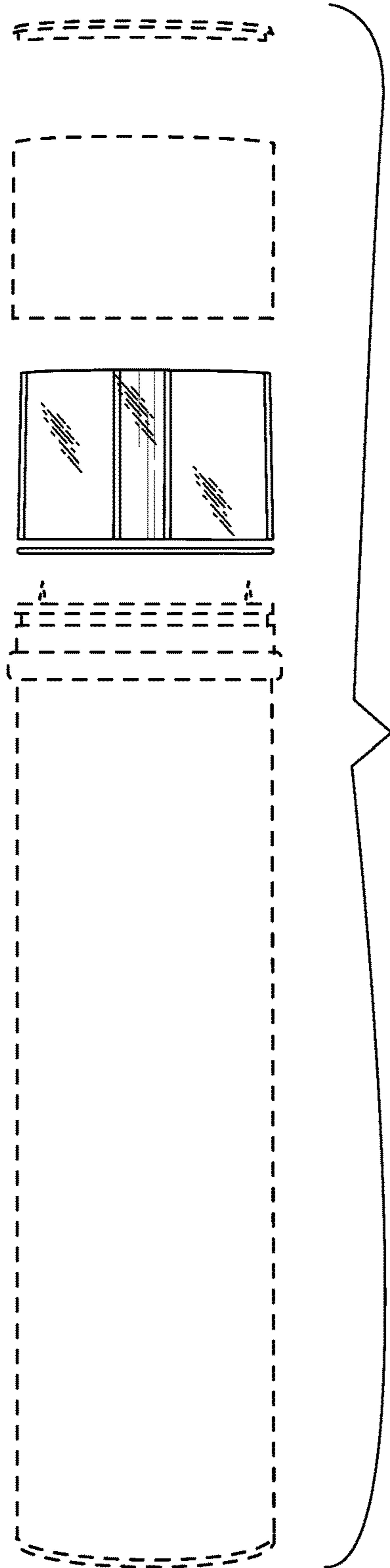
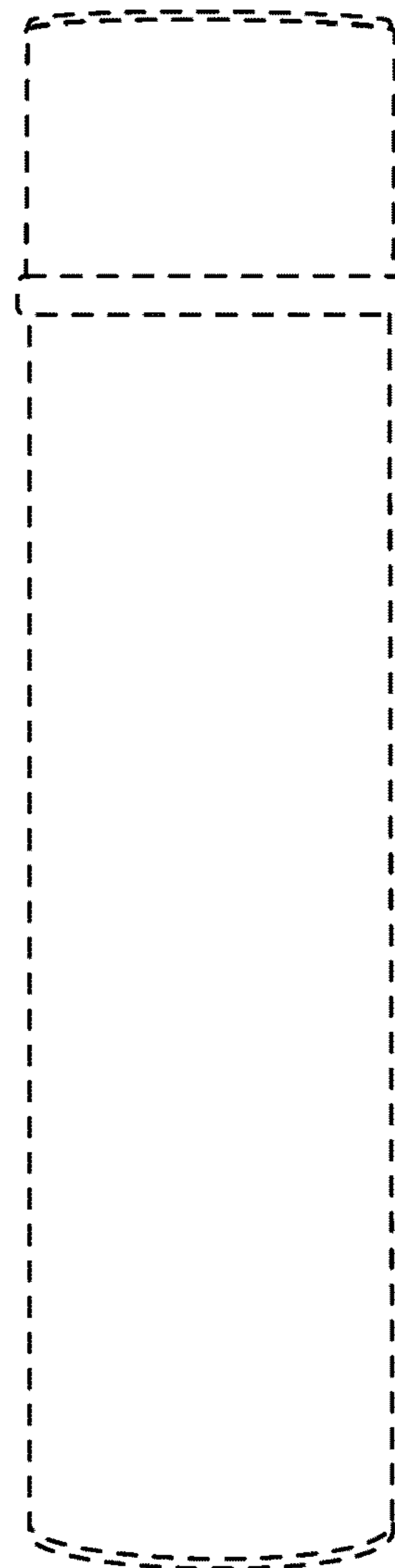


FIG. 4



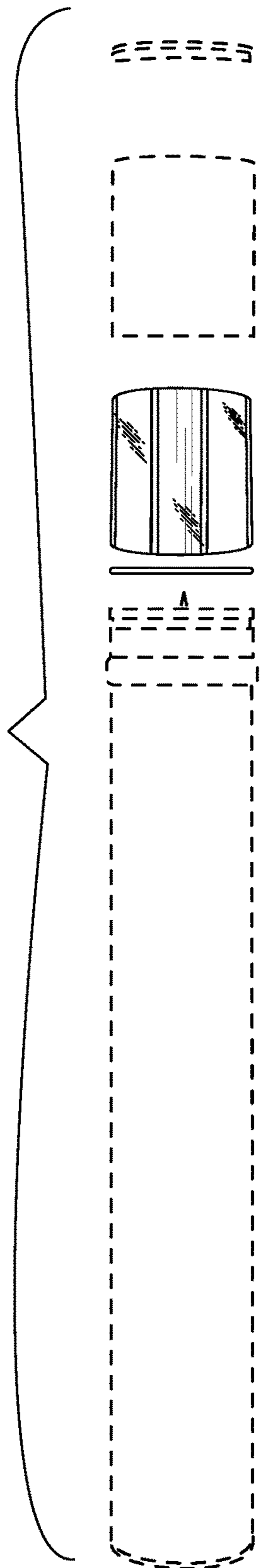
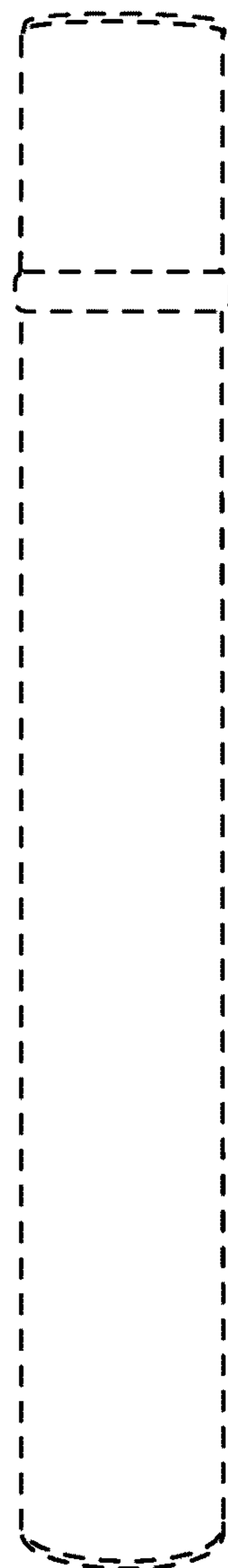


FIG. 5

FIG. 6



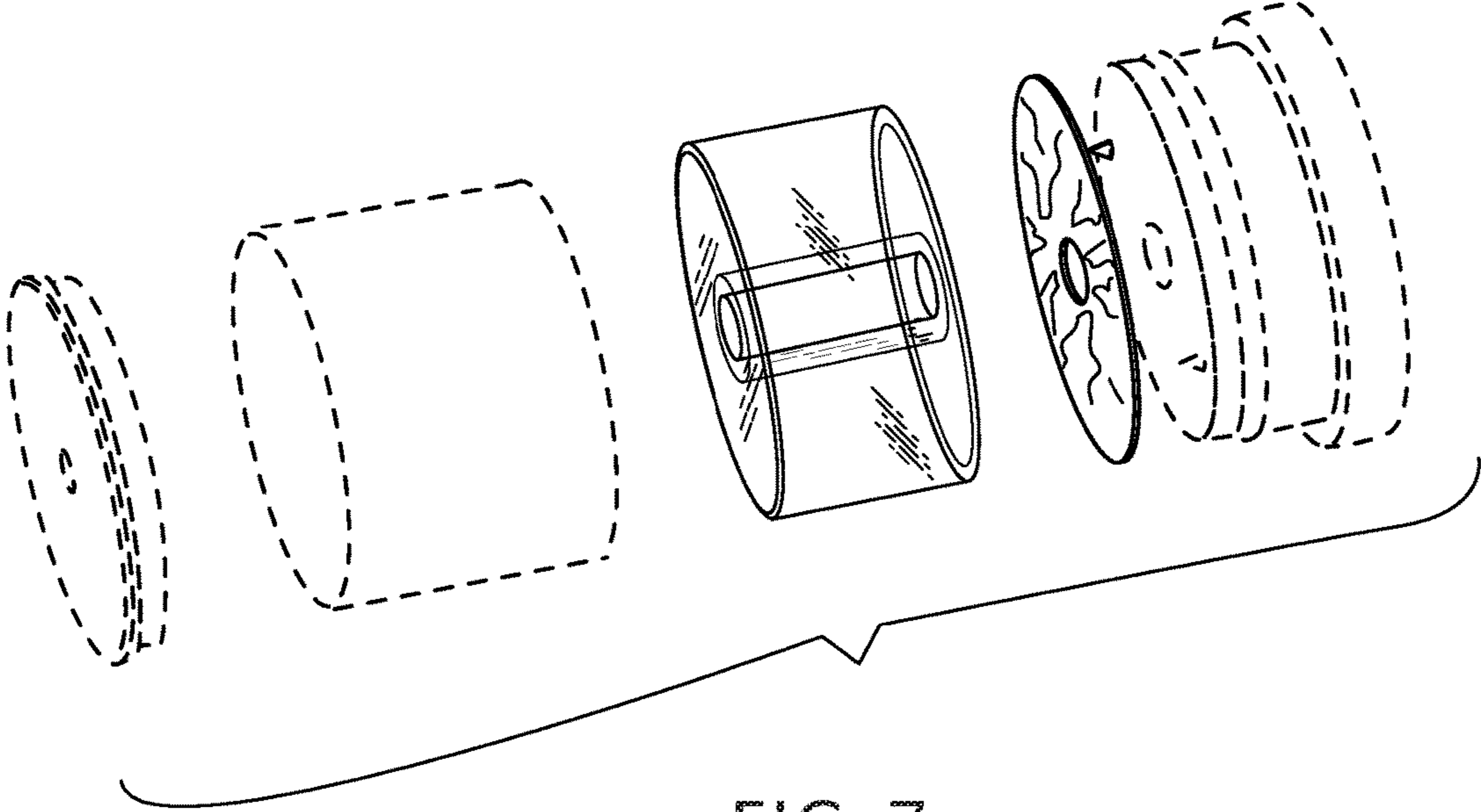


FIG. 7

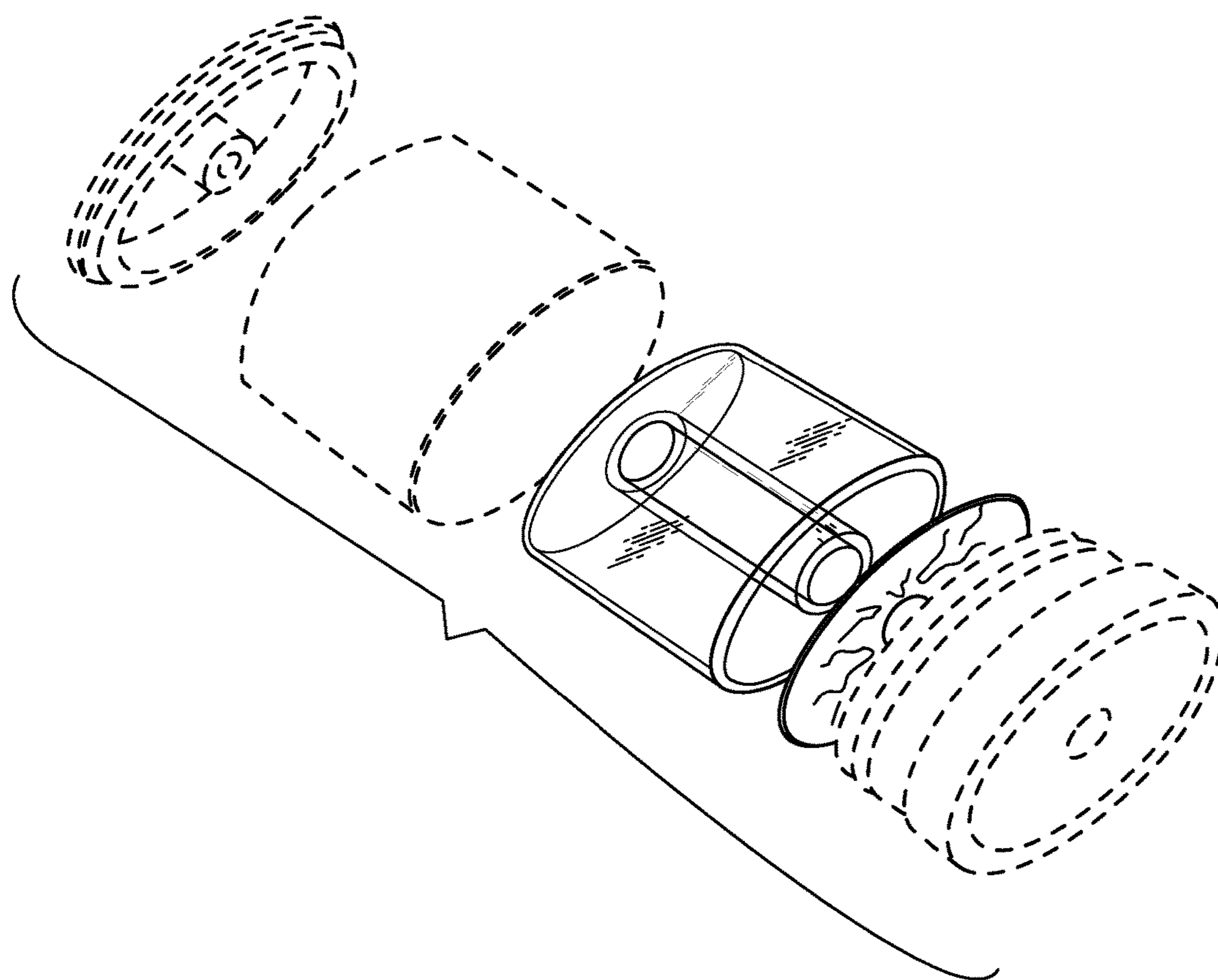


FIG. 8

FIG. 9

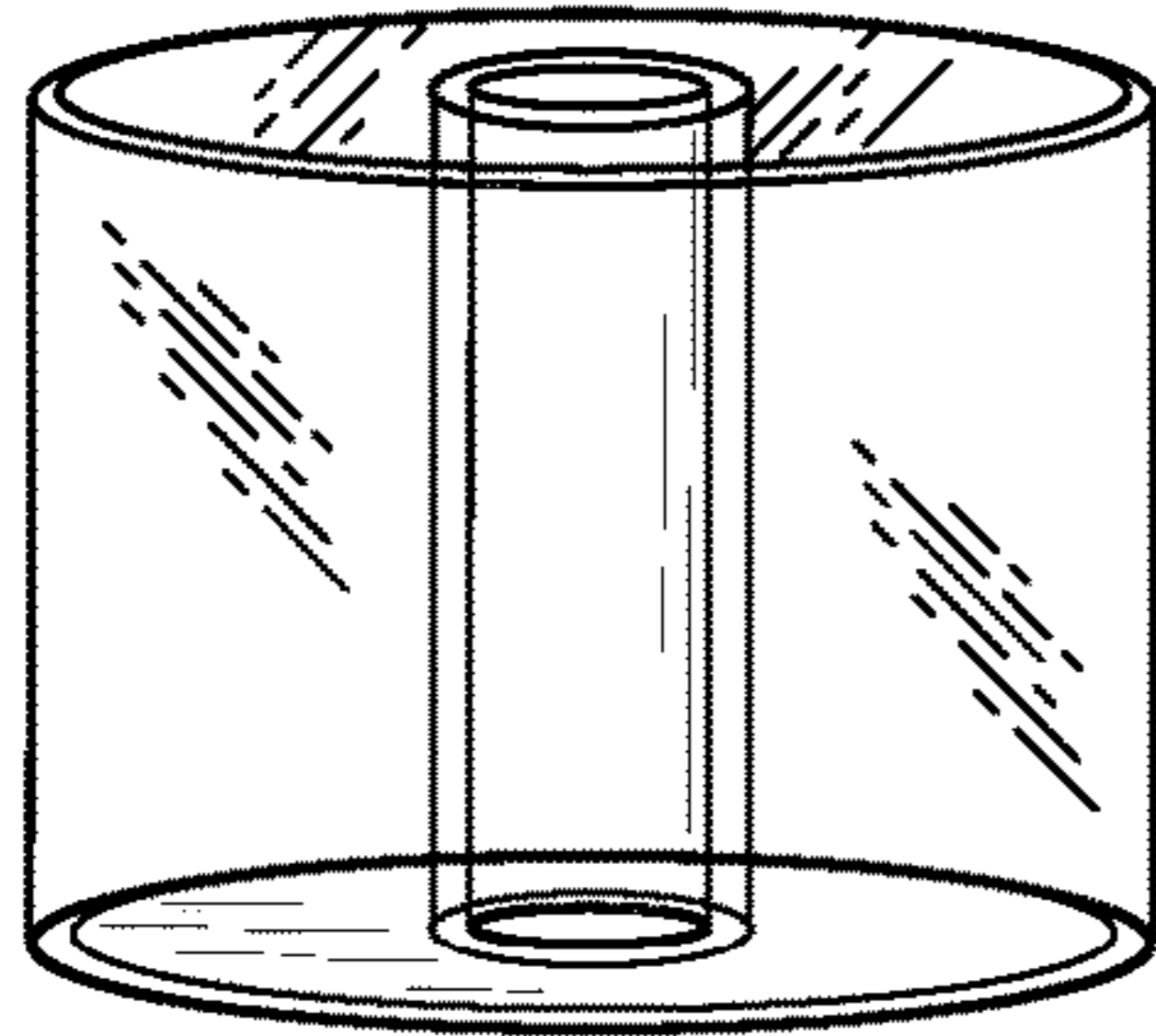


FIG. 10

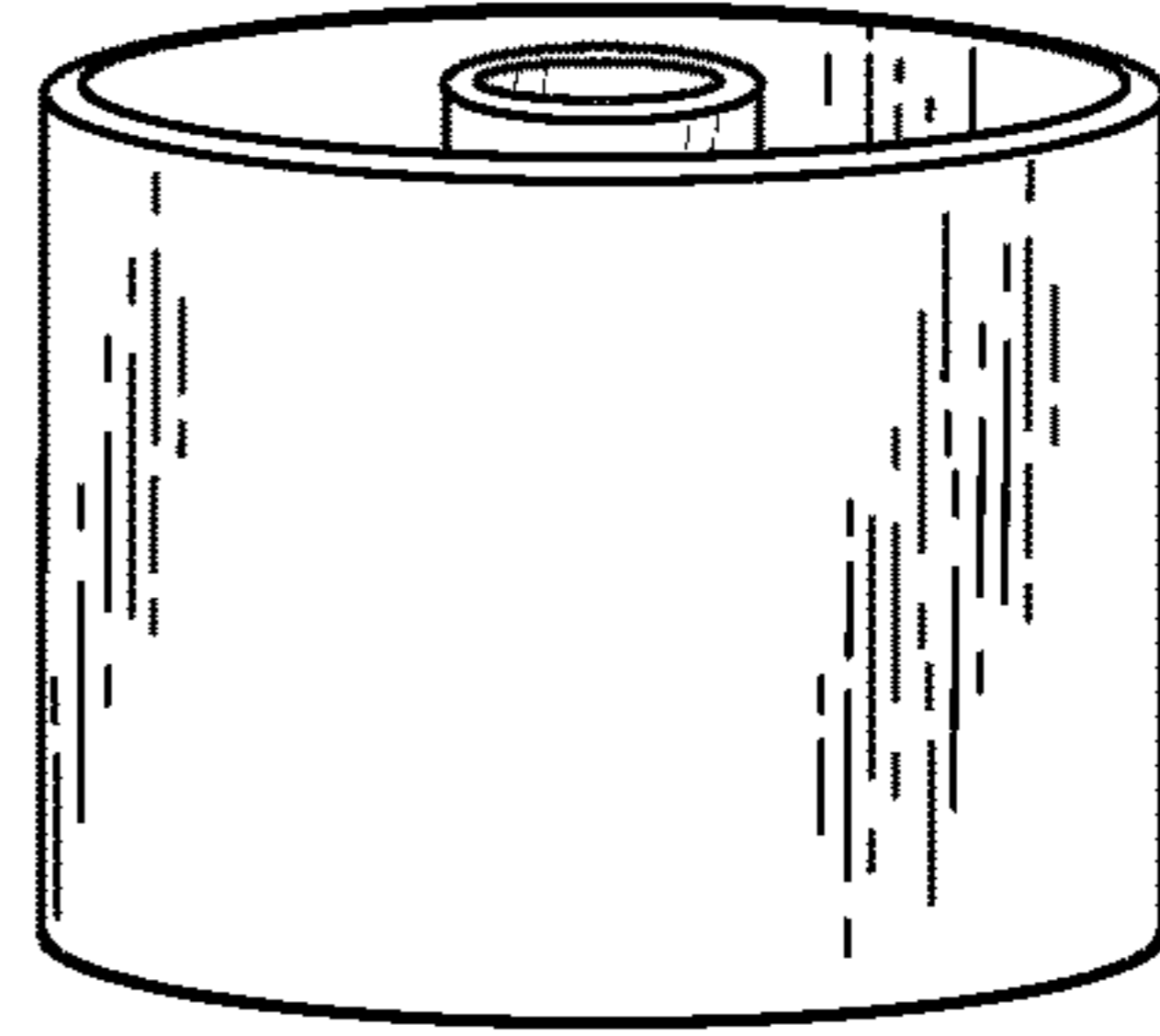


FIG. 11

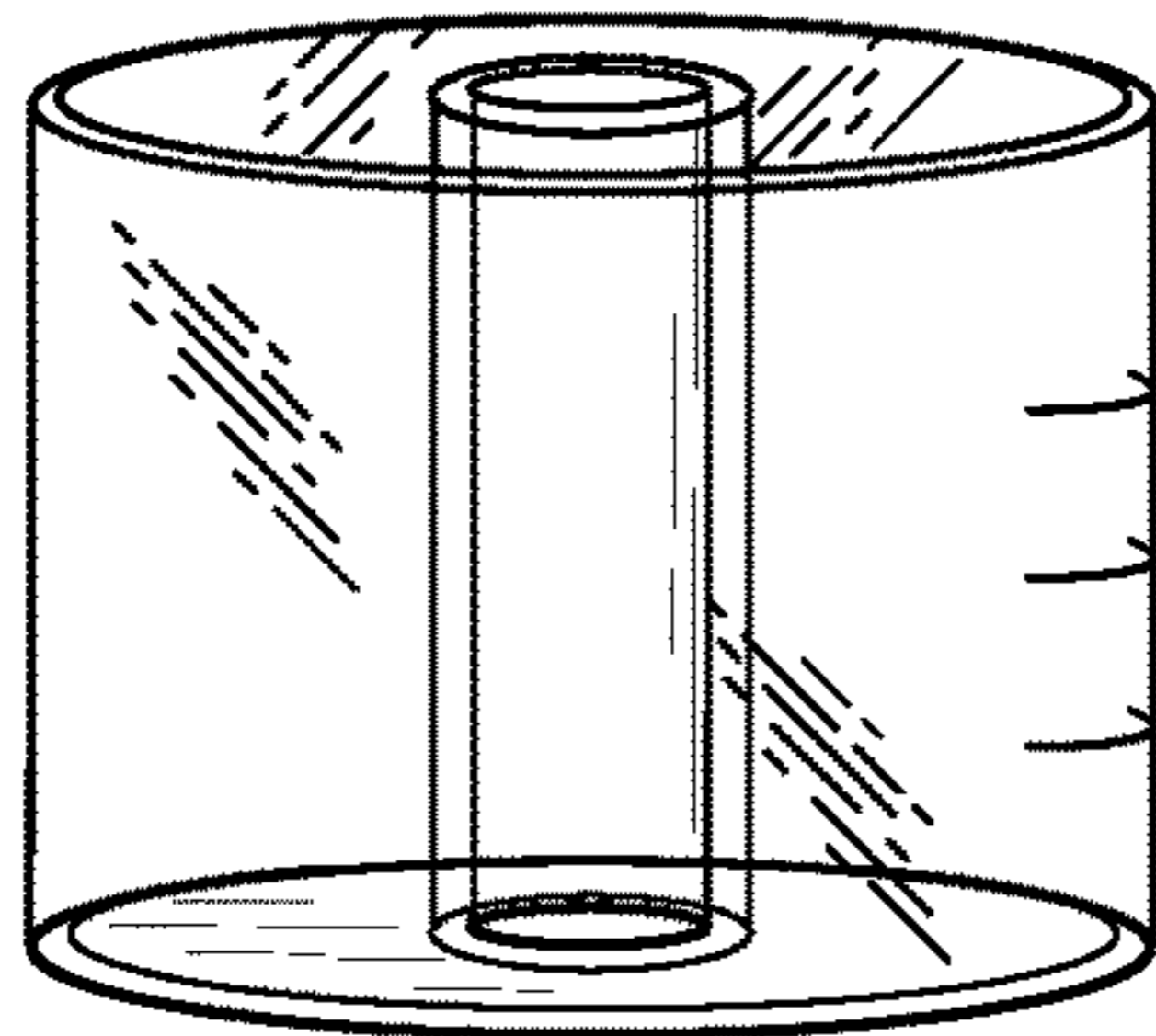


FIG. 12

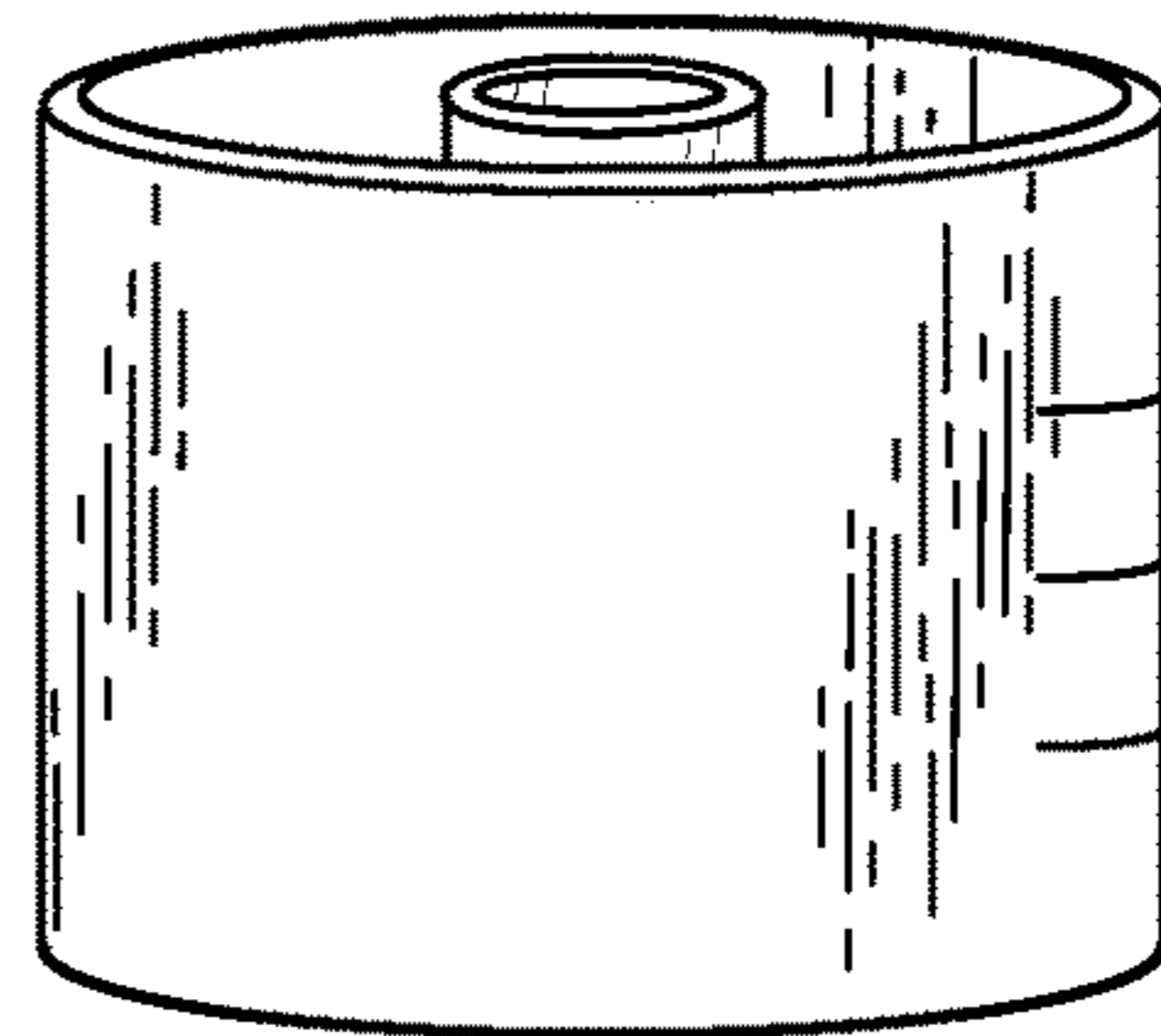


FIG. 13

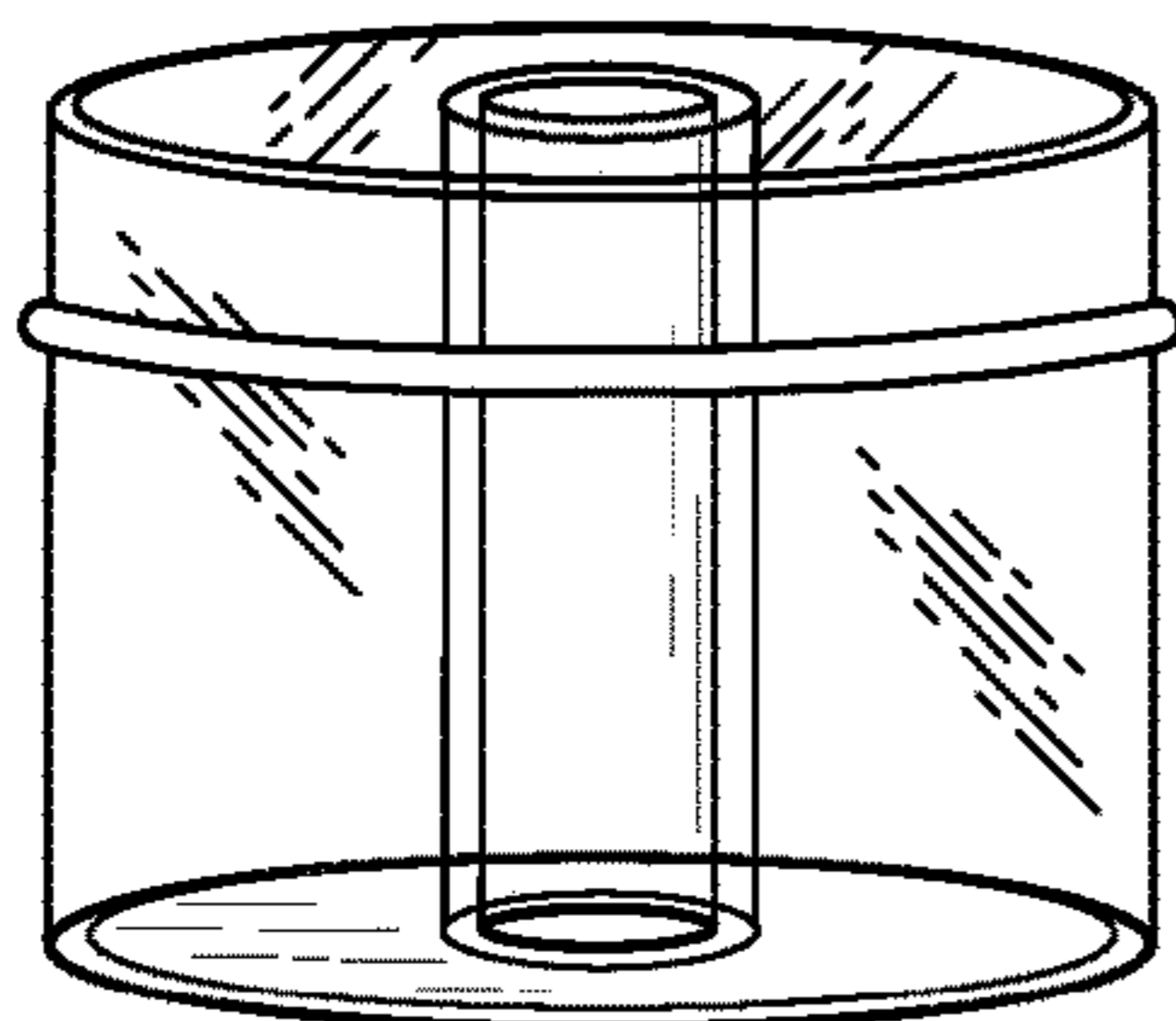


FIG. 14

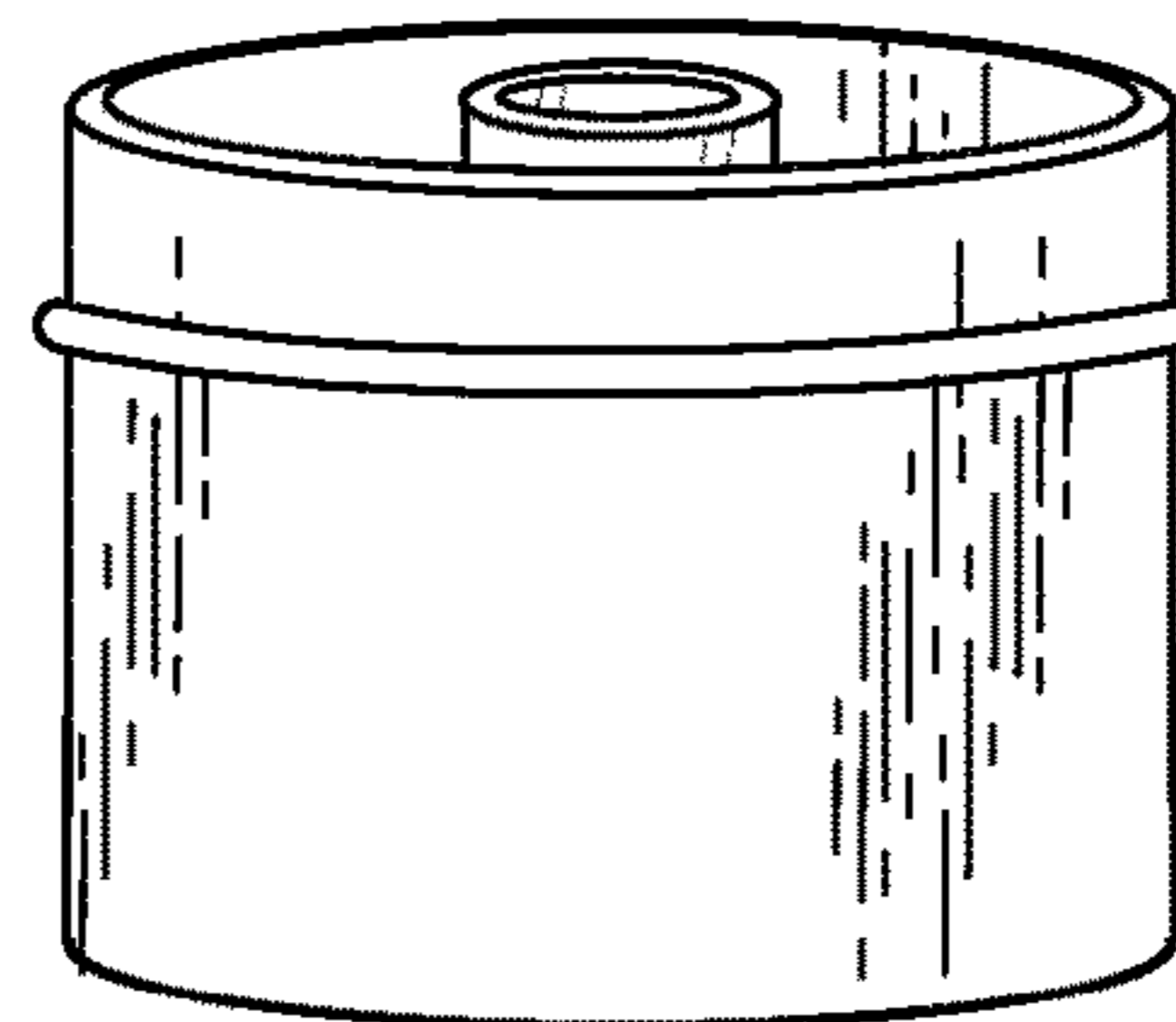


FIG. 15

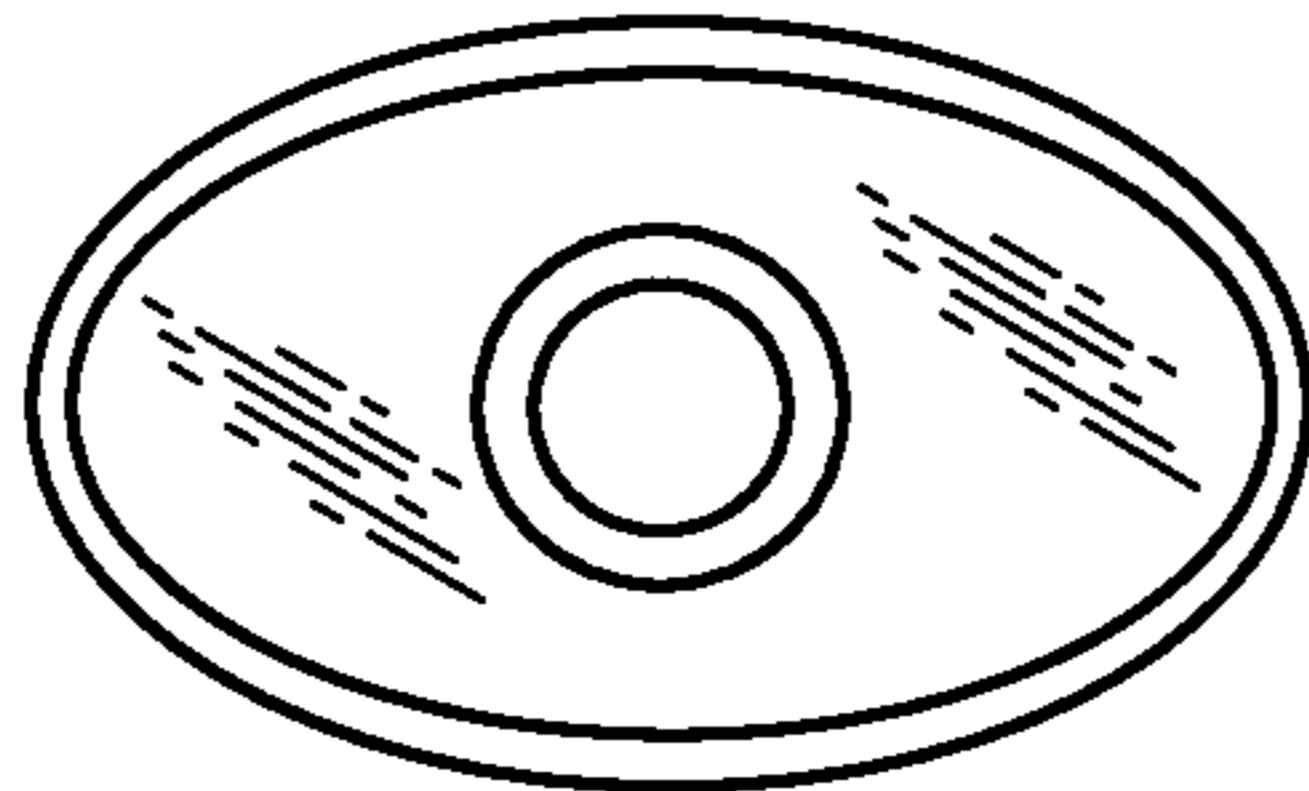


FIG. 16

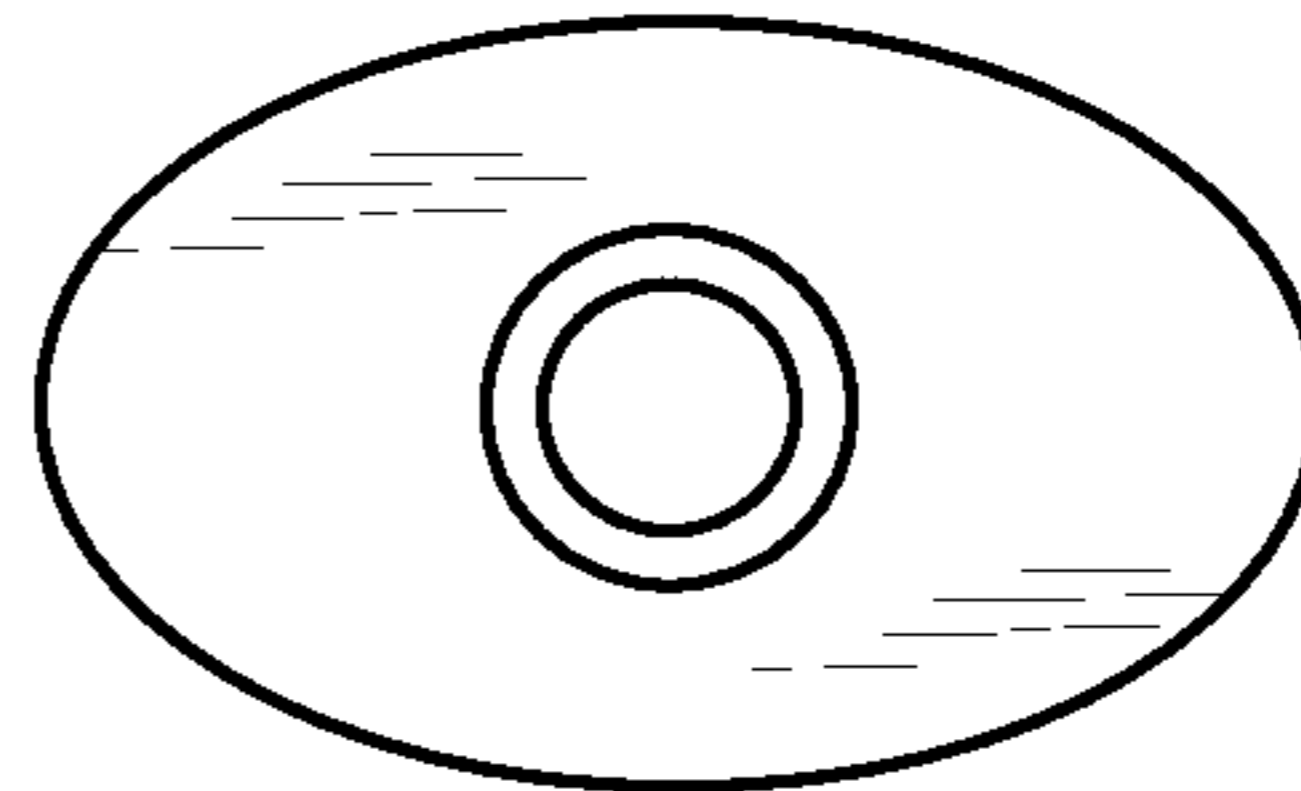


FIG. 17

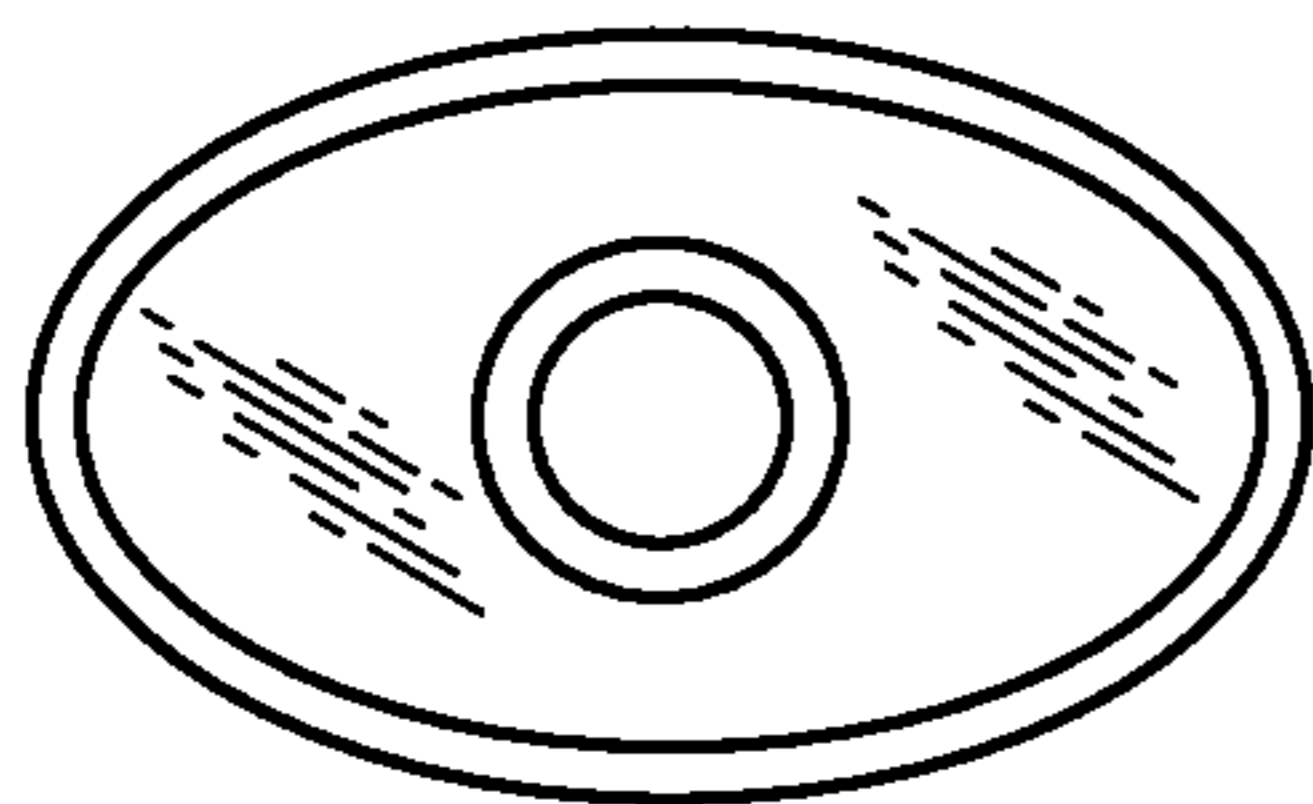


FIG. 18

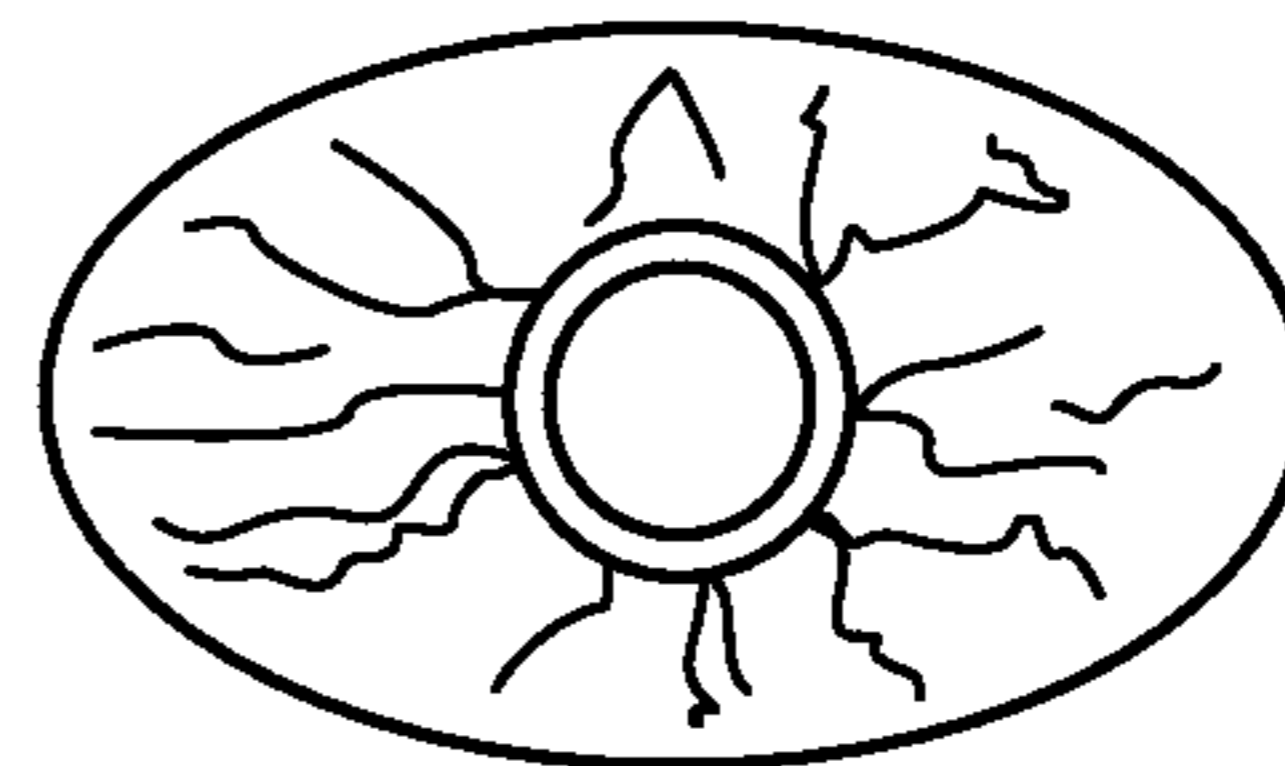


FIG. 19

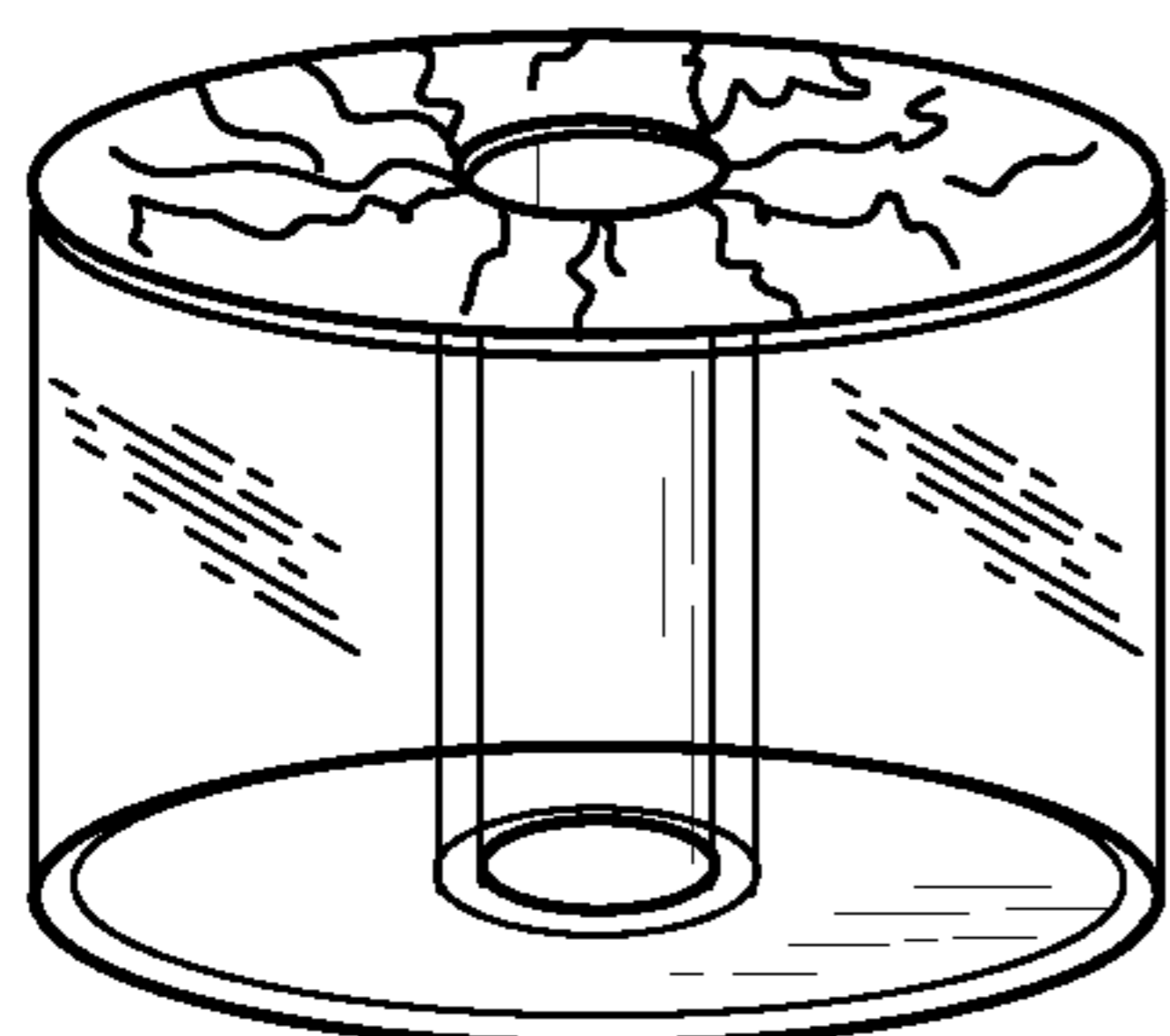


FIG. 20

