



US00D827916S

(12) **United States Design Patent** (10) **Patent No.:** **US D827,916 S**
Green et al. (45) **Date of Patent:** **** Sep. 4, 2018**

(54) **WORK LIGHT**

(71) Applicant: **Home Depot Product Authority, LLC**,
Atlanta, GA (US)

(72) Inventors: **Adam Green**, Marietta, GA (US);
Bernard Scott, Lawrenceville, GA (US)

(73) Assignee: **Home Depot Product Authority, LLC**,
Atlanta, GA (US)

(**) Term: **15 Years**

(21) Appl. No.: **29/618,677**

(22) Filed: **Sep. 22, 2017**

(51) **LOC (11) Cl.** **26-05**

(52) **U.S. Cl.**

USPC **D26/138**

(58) **Field of Classification Search**

USPC D26/28, 30, 31, 118, 2, 73, 74, 75, 76,
D26/78, 122, 121, 138, 136, 137,
D26/139-145, 155, 71, 60, 68, 113

CPC F21V 31/03; F21V 7/0083; F21V 29/004;
B60Q 1/04; B60Q 1/26

See application file for complete search history.

(56) **References Cited**

U.S. PATENT DOCUMENTS

D710,528 S *	8/2014	Wardenburg	D26/75
9,097,405 B2 *	8/2015	Zaderej	F21K 9/00
D747,541 S *	1/2016	Dietel	D26/141
D770,675 S *	11/2016	Dietel	D26/141
D802,829 S *	11/2017	Reynolds	D26/118
D804,710 S *	12/2017	Stanley	D26/118

* cited by examiner

Primary Examiner — Mark A Goodwin

Assistant Examiner — Benjamin M Weeks

(74) *Attorney, Agent, or Firm* — Greenberg Traurig, LLP

(57) **CLAIM**

We claim the ornamental design for a work light, as shown and described.

DESCRIPTION

FIG. 1 is a front perspective view of a first embodiment of our work light;

FIG. 2 is a front view thereof;

FIG. 3 is a back view thereof;

FIG. 4 is a left view thereof;

FIG. 5 is a right side view thereof;

FIG. 6 is a top side view thereof;

FIG. 7 is a bottom view thereof;

FIG. 8 is a rear perspective view thereof;

FIG. 9 is a front perspective view of a second embodiment of our work light;

FIG. 10 is a front view thereof;

FIG. 11 is a back view thereof;

FIG. 12 is a left view thereof;

FIG. 13 is a right side view thereof;

FIG. 14 is a top side view thereof;

FIG. 15 is a bottom view thereof;

FIG. 16 is a rear perspective view thereof;

FIG. 17 is a front perspective view of a third embodiment of our work light;

FIG. 18 is a front view thereof;

FIG. 19 is a back view thereof;

FIG. 20 is a left view thereof;

FIG. 21 is a right side view thereof;

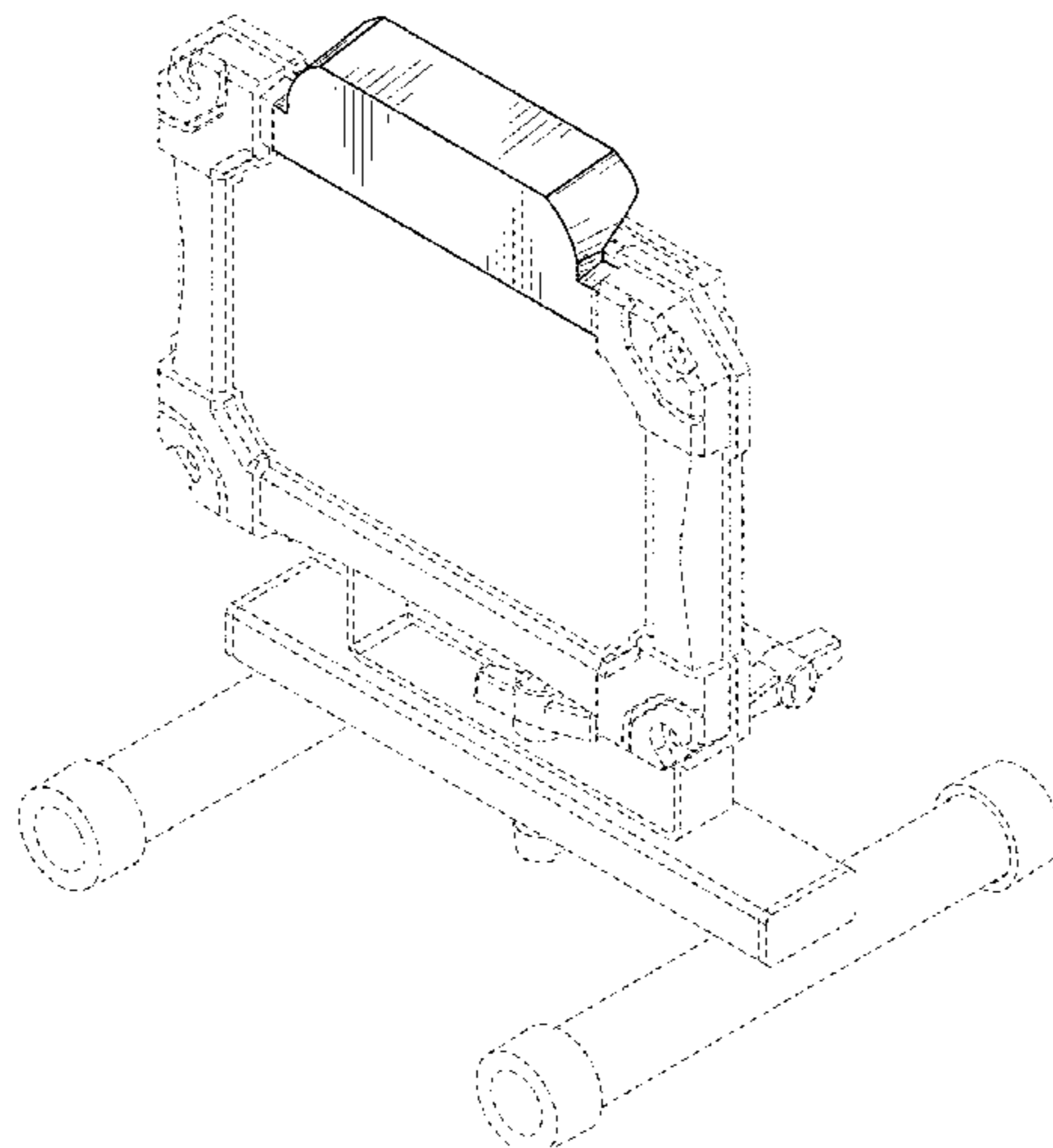
FIG. 22 is a top side view thereof;

FIG. 23 is a bottom view thereof; and,

FIG. 24 is a rear perspective view thereof.

The dashed lines in the figures represent environmental structure and form no part of the claimed design. The long dash-short dash lines that abut a claimed surface represent an unclaimed boundary between claimed and unclaimed surfaces and form no part of the claimed design. All other surface(s) or portion(s) of our designs not shown in the figures or otherwise described in the specification form no part of the claimed design.

1 Claim, 24 Drawing Sheets



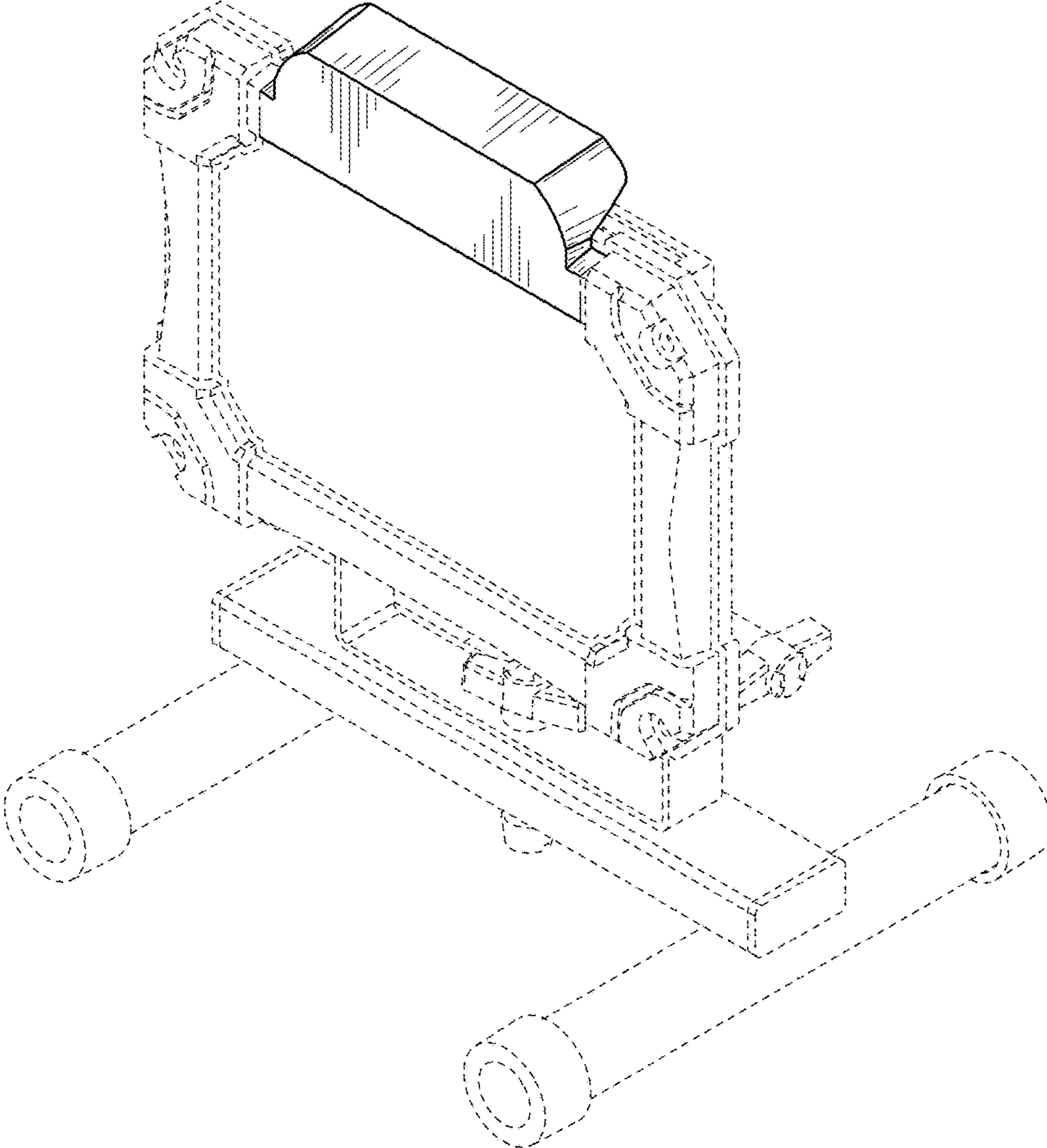


FIG. 1

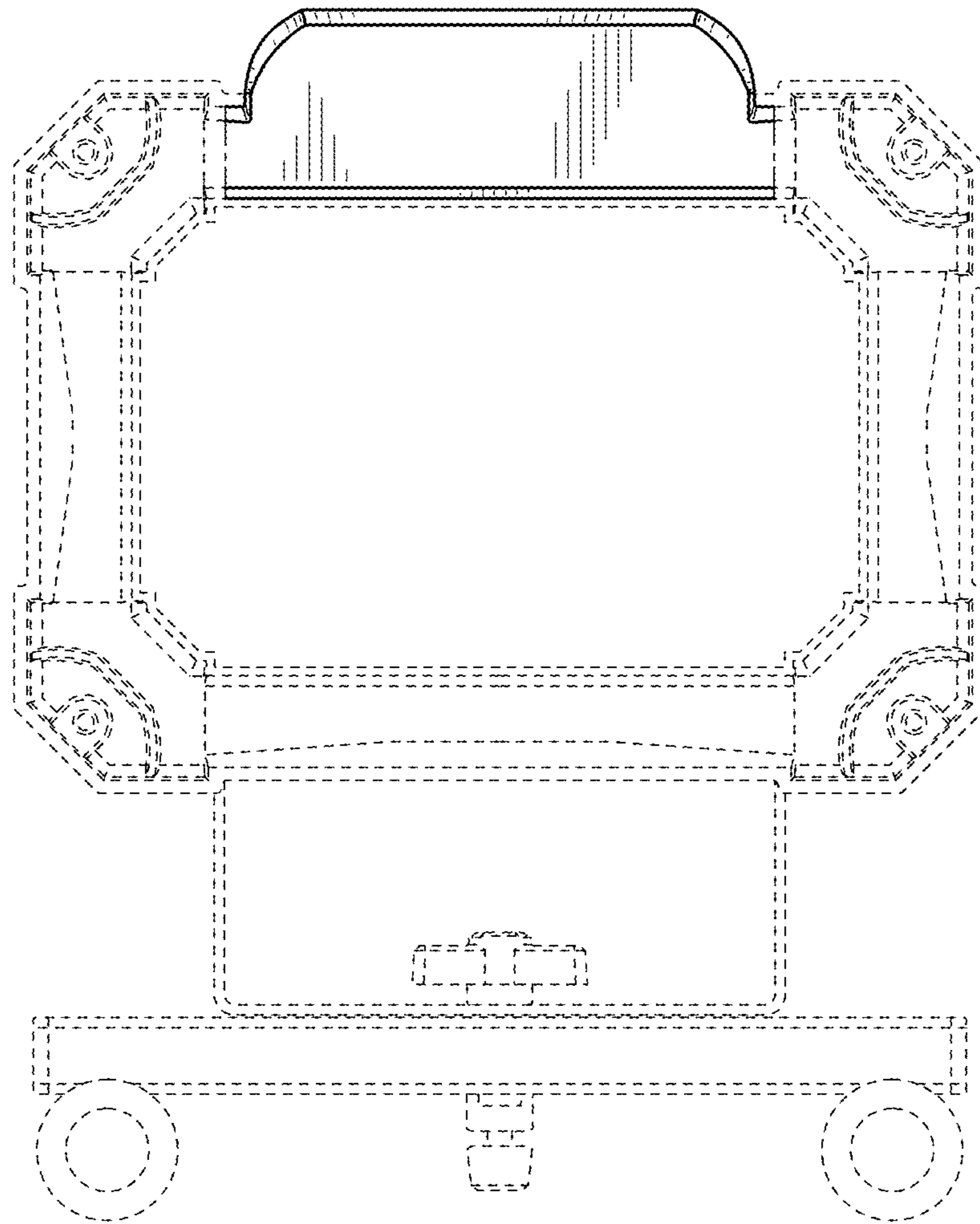


FIG. 2

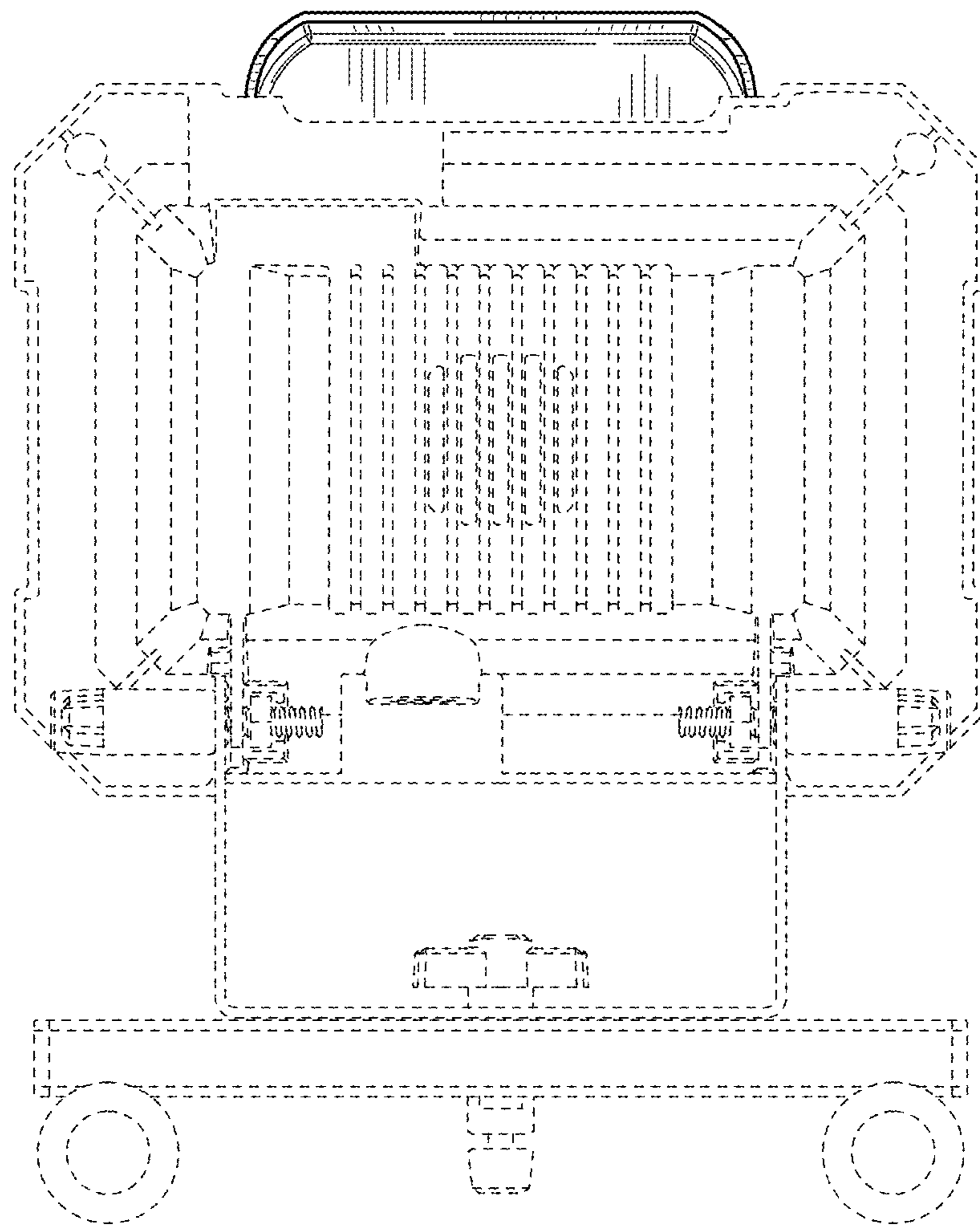


FIG. 3

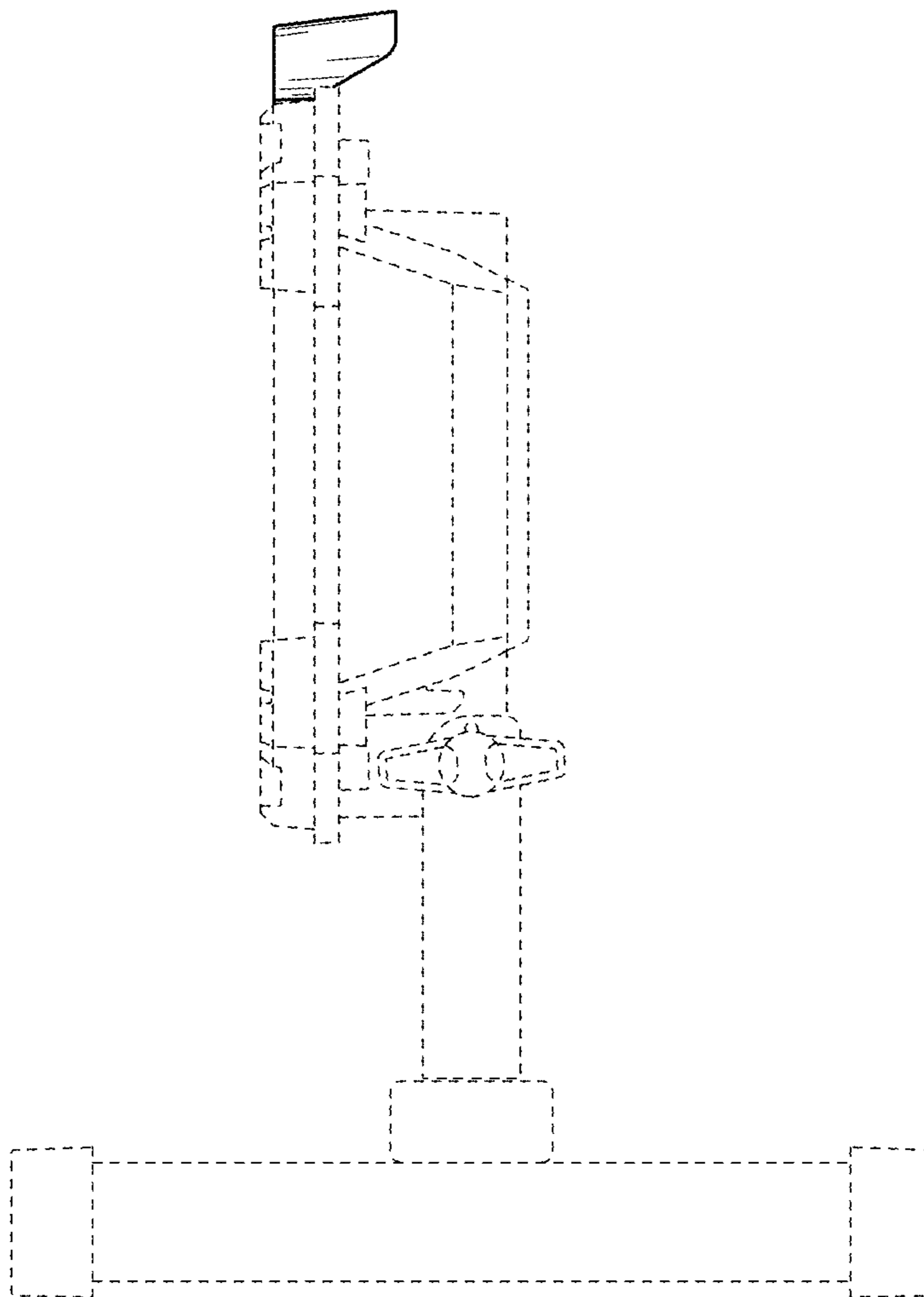


FIG. 4

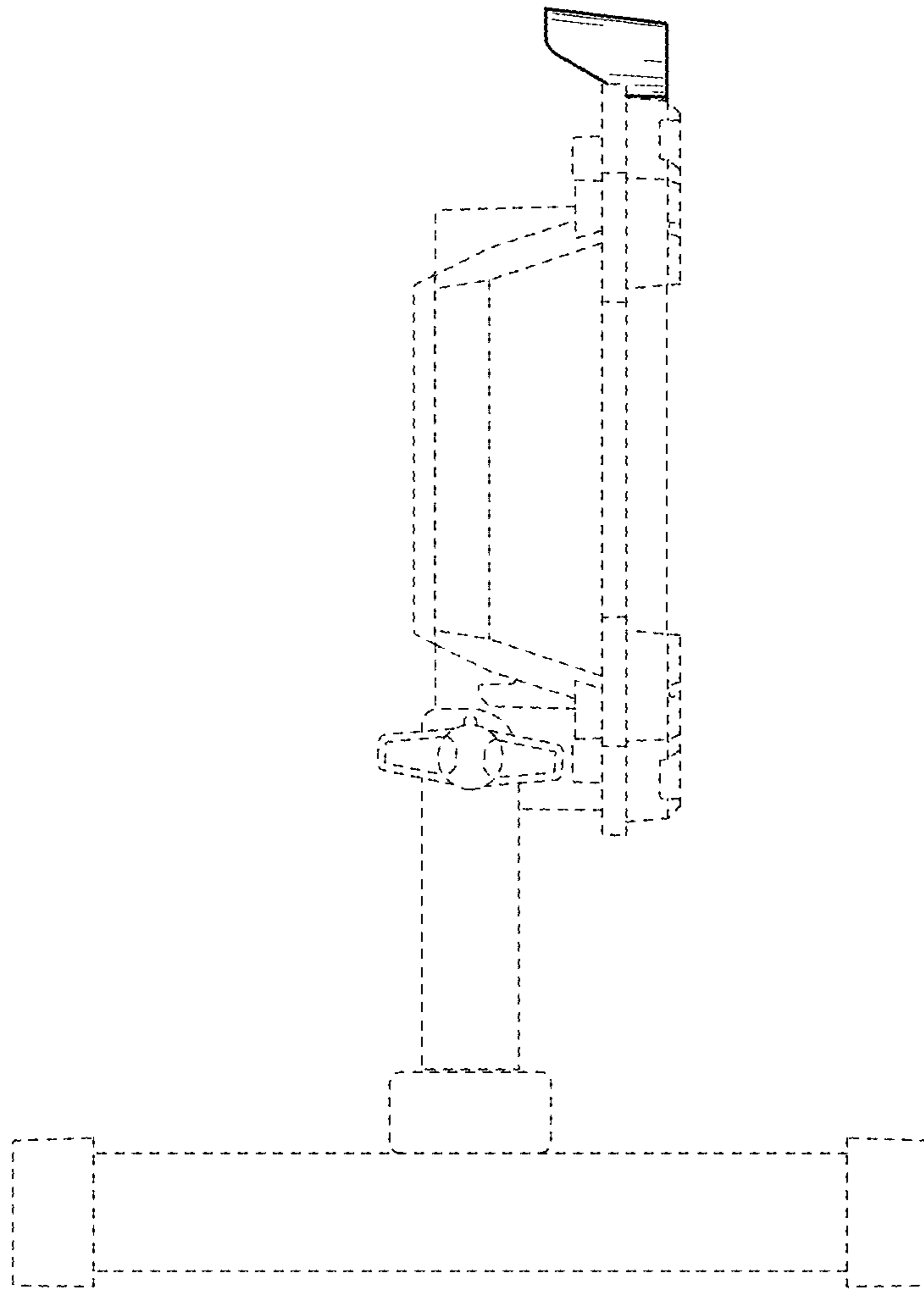


FIG. 5

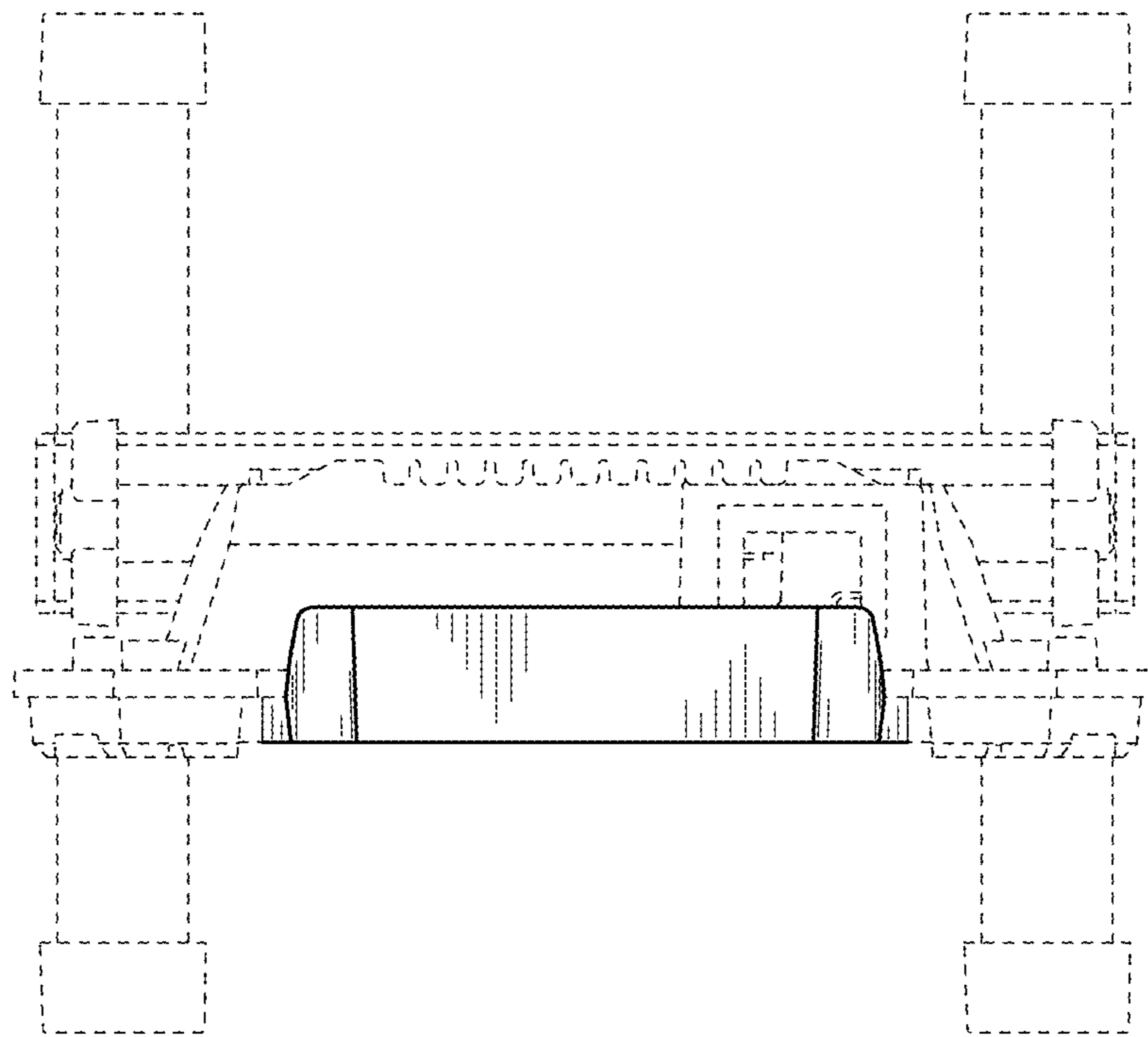


FIG. 6

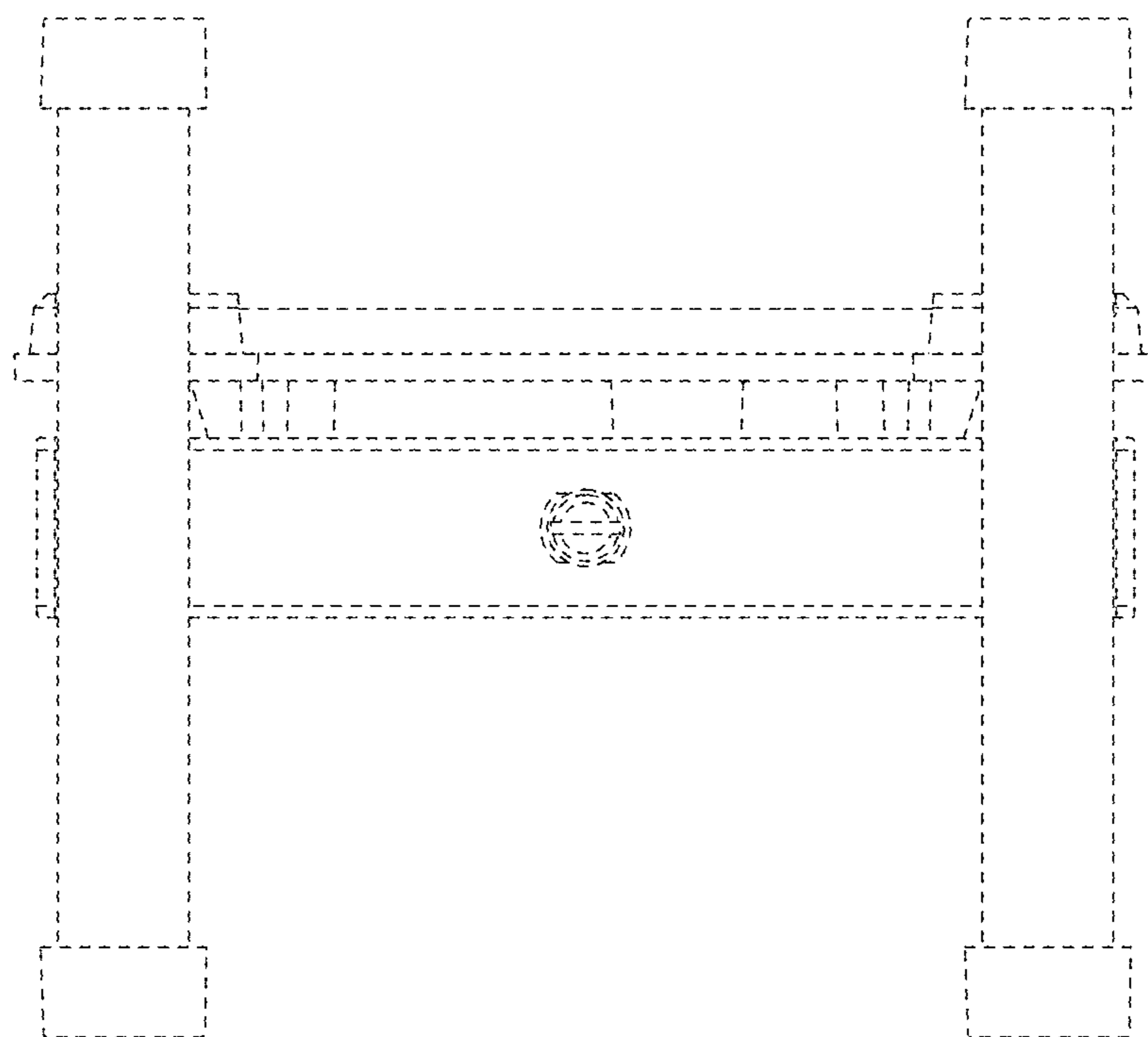


FIG. 7

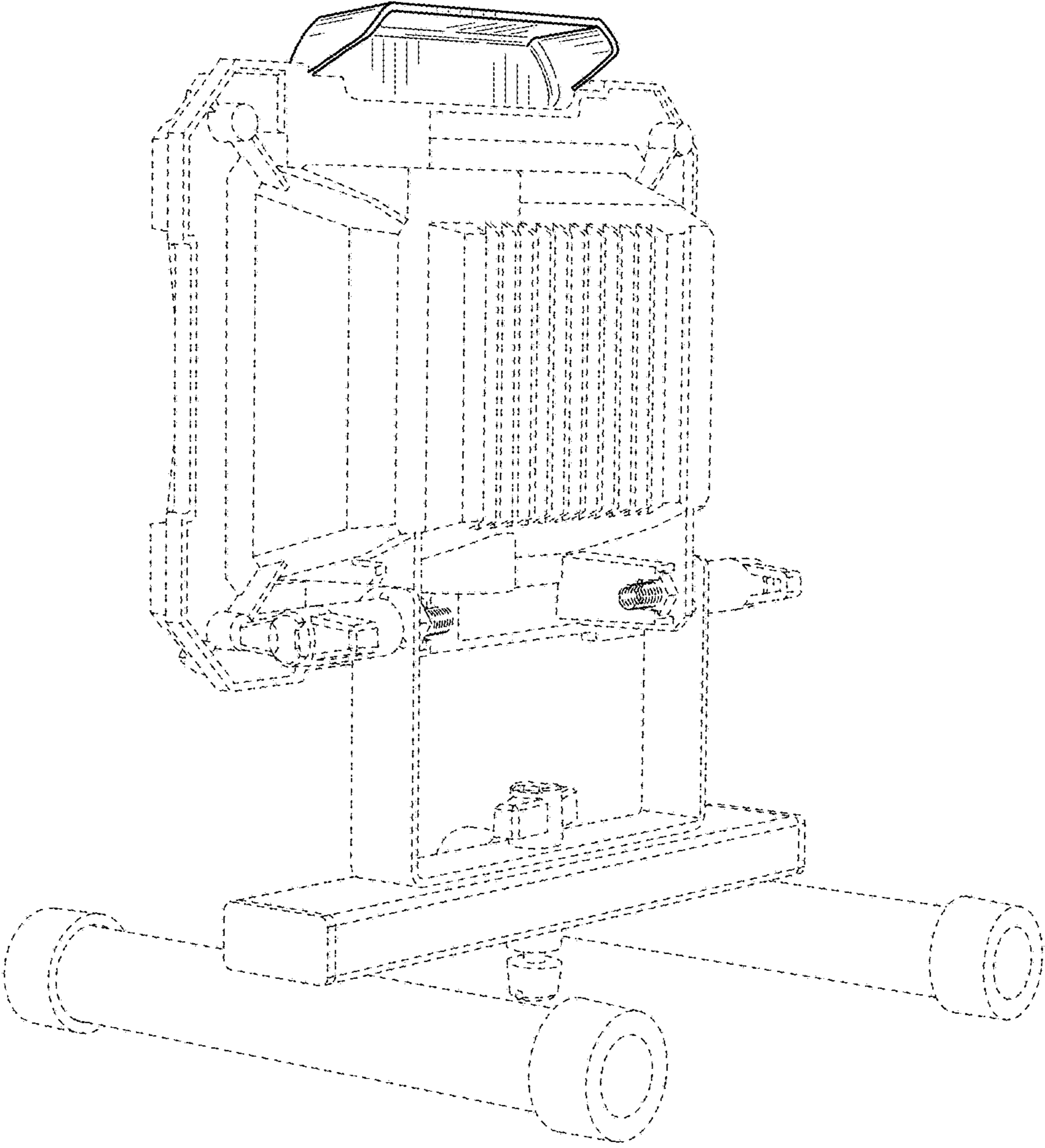


FIG. 8

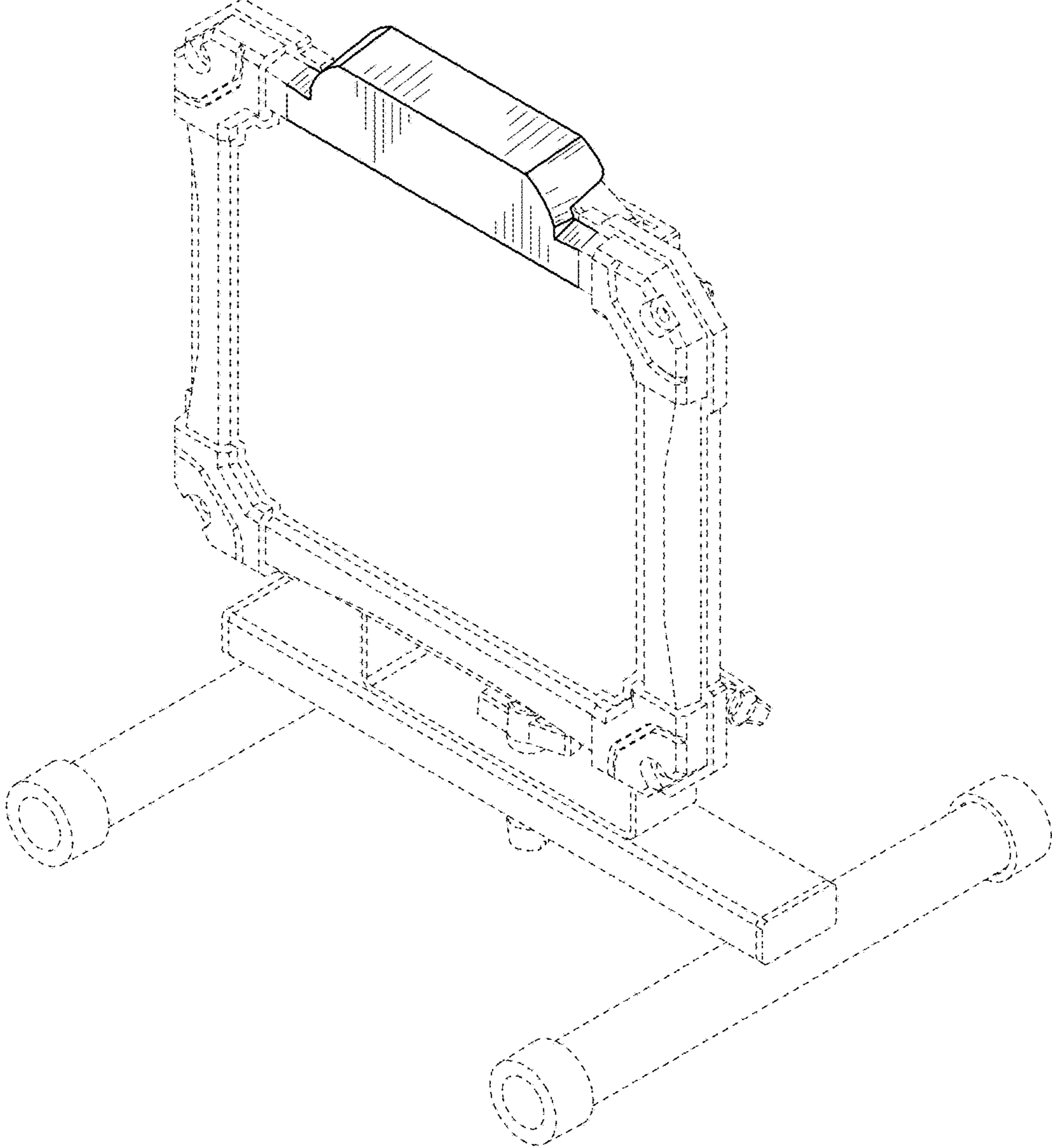


FIG. 9

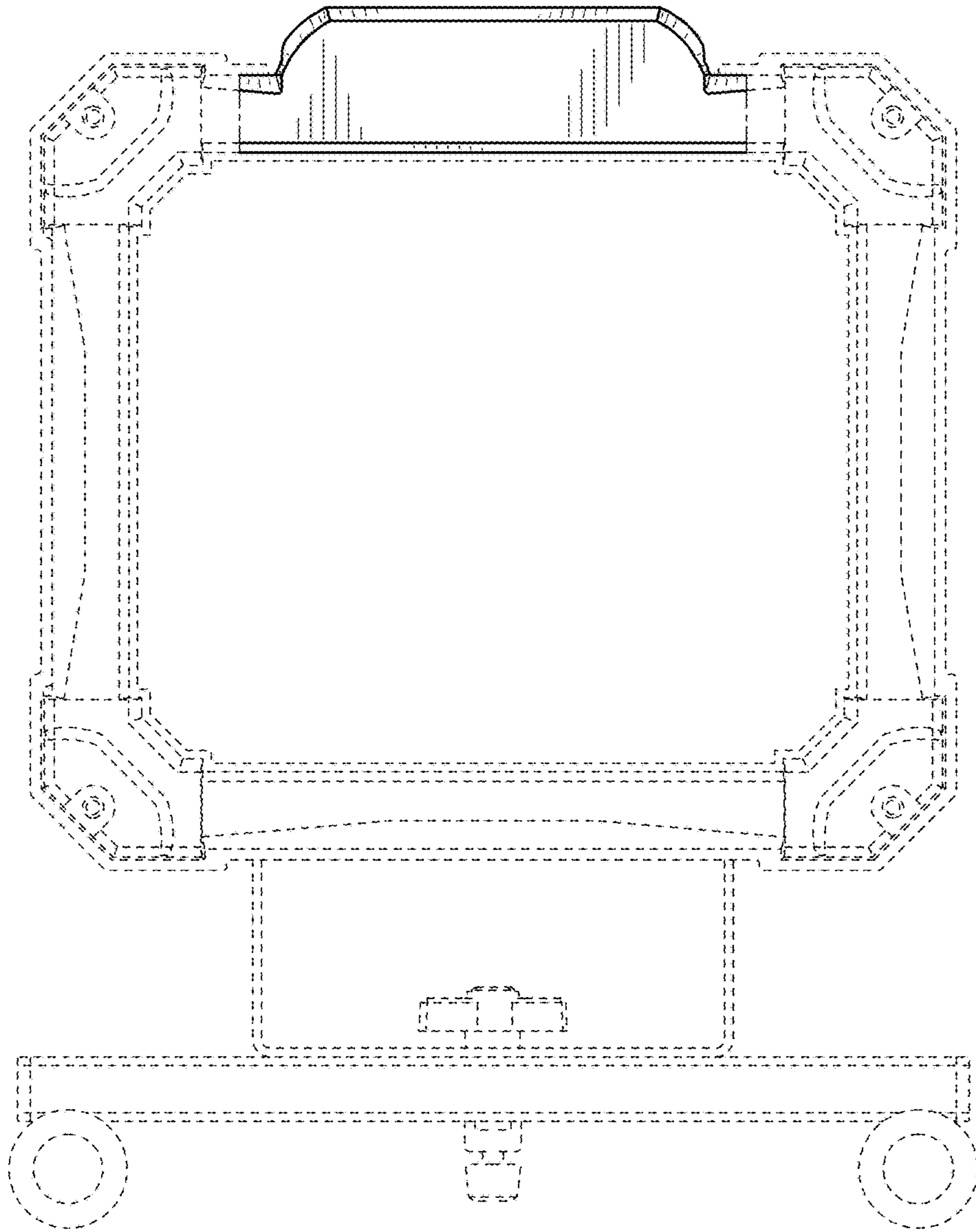


FIG. 10

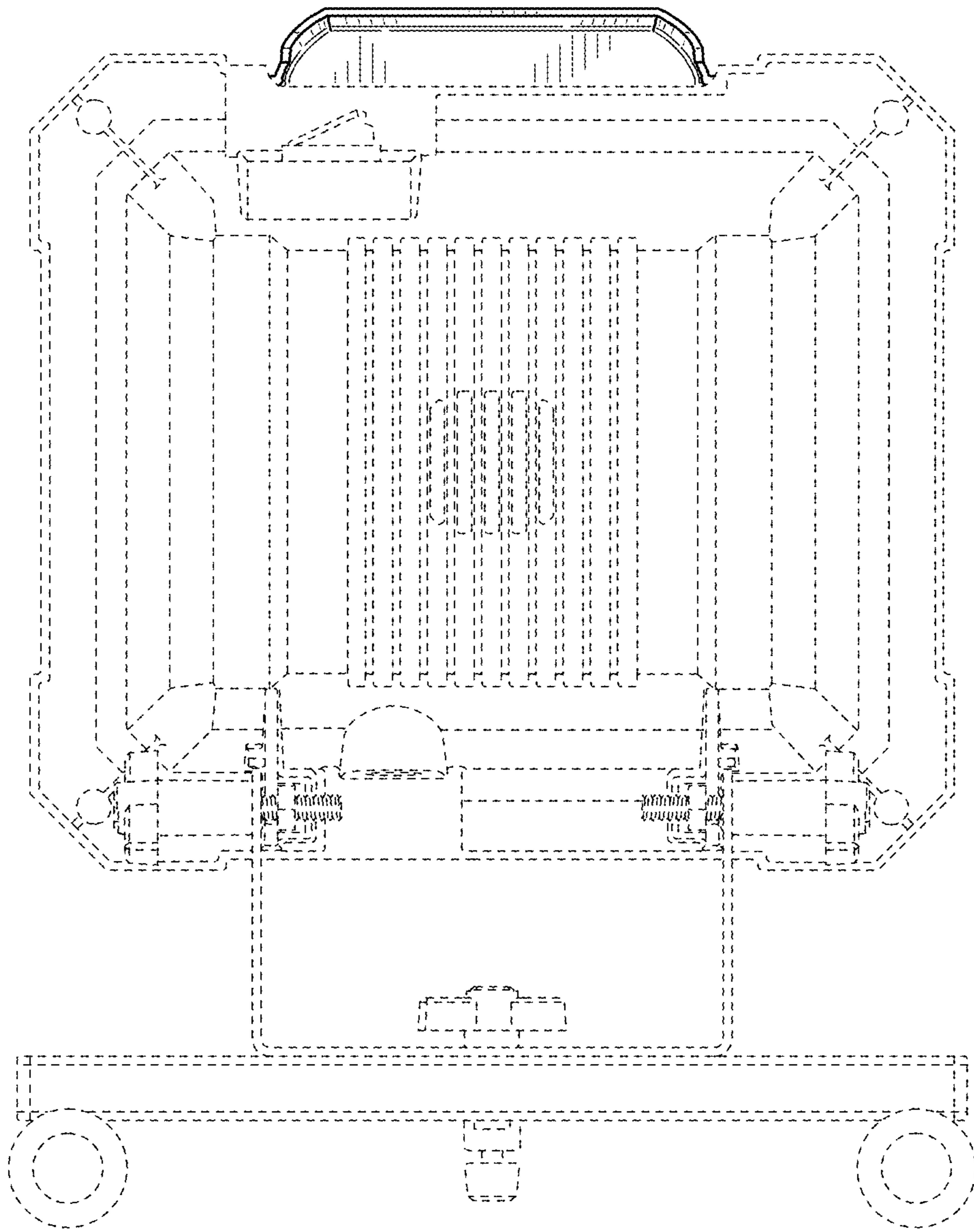


FIG. 11

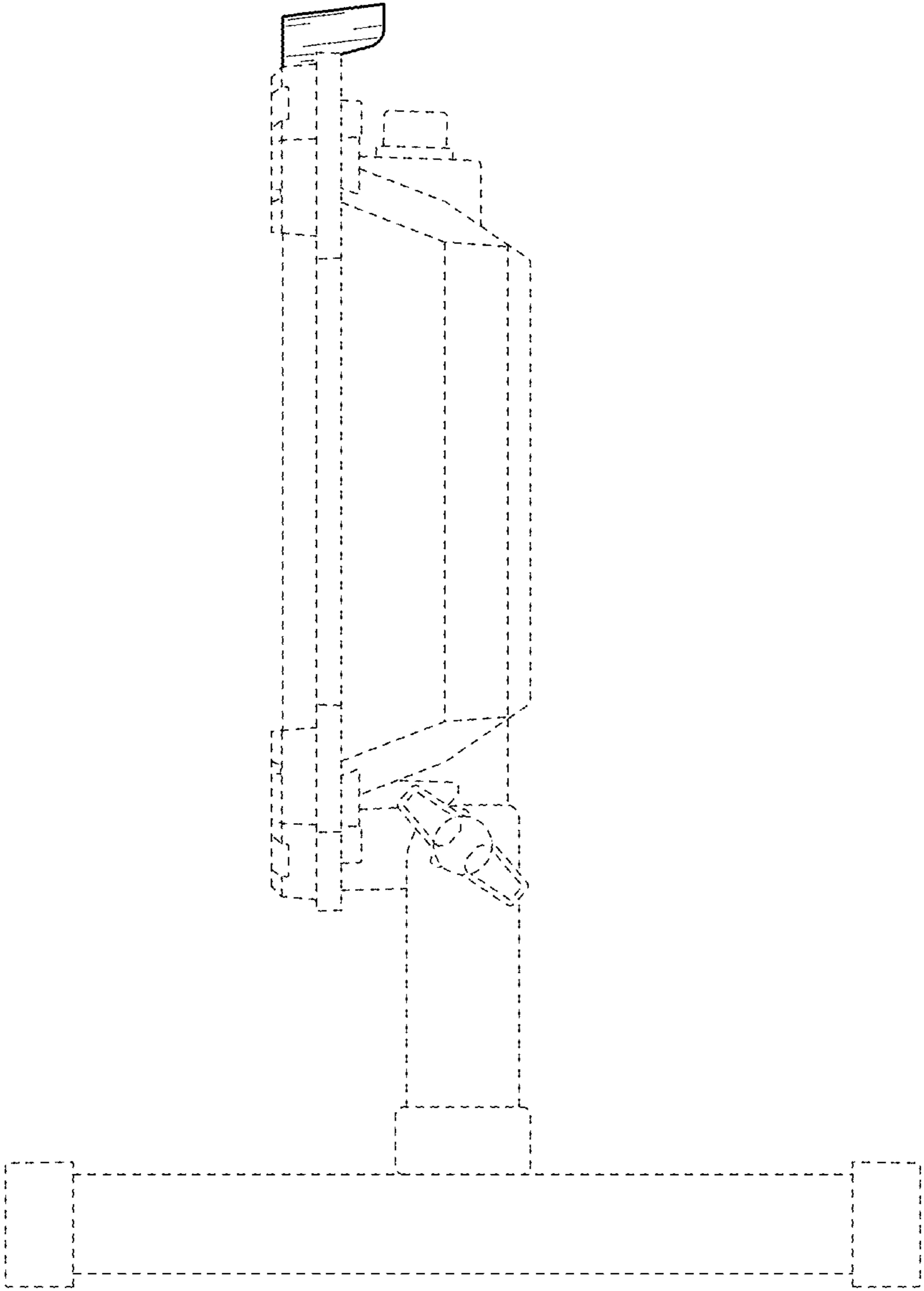


FIG. 12

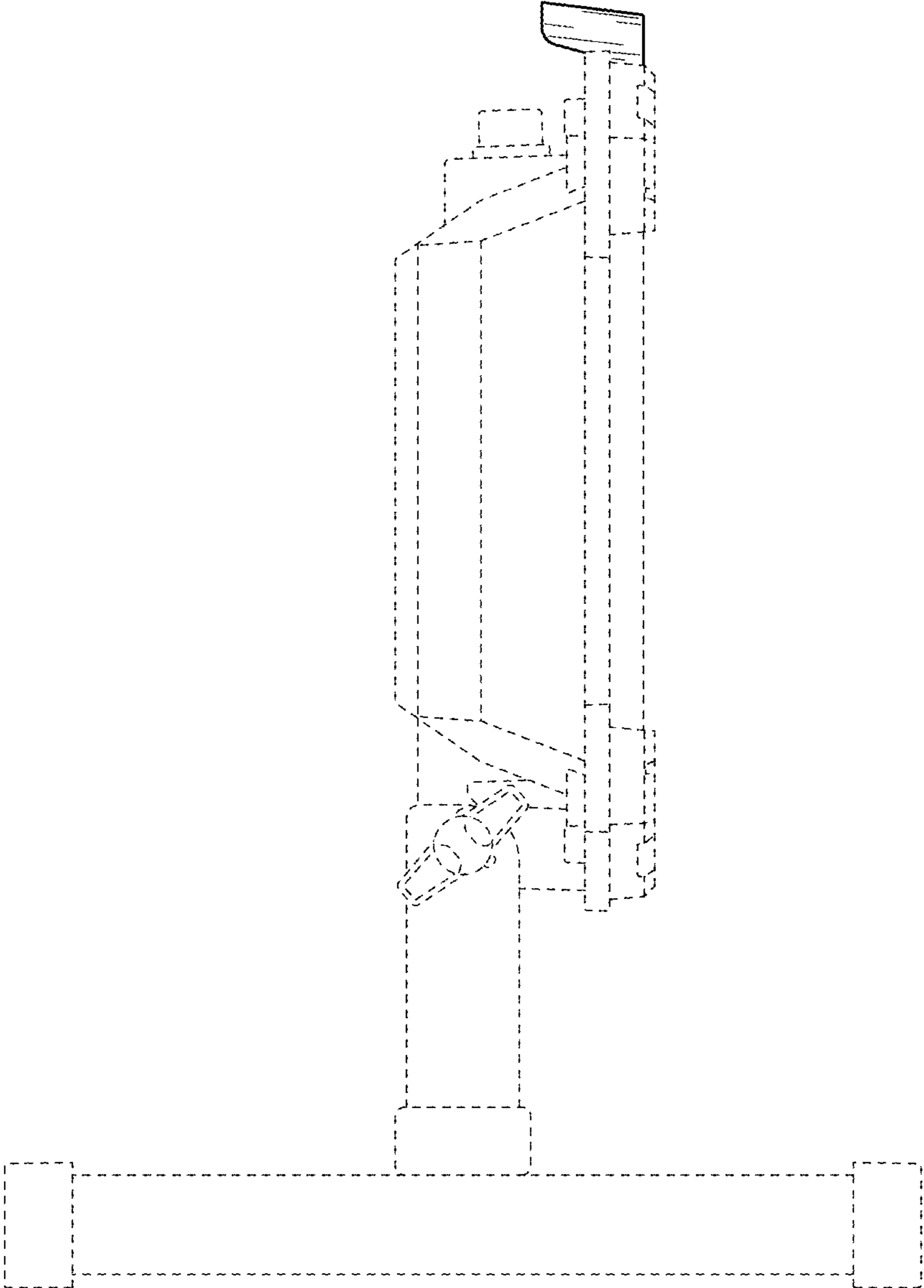


FIG. 13

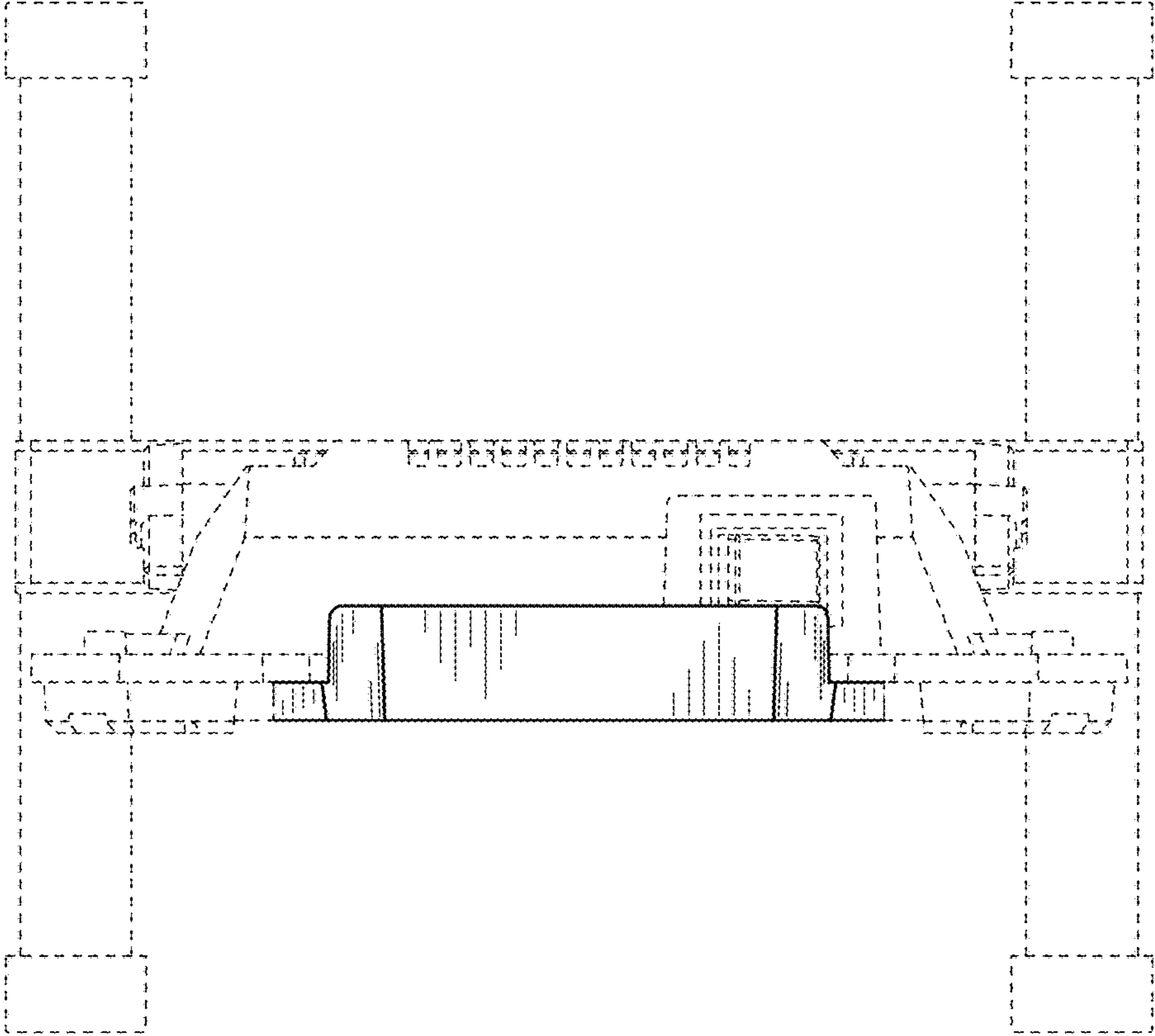


FIG. 14

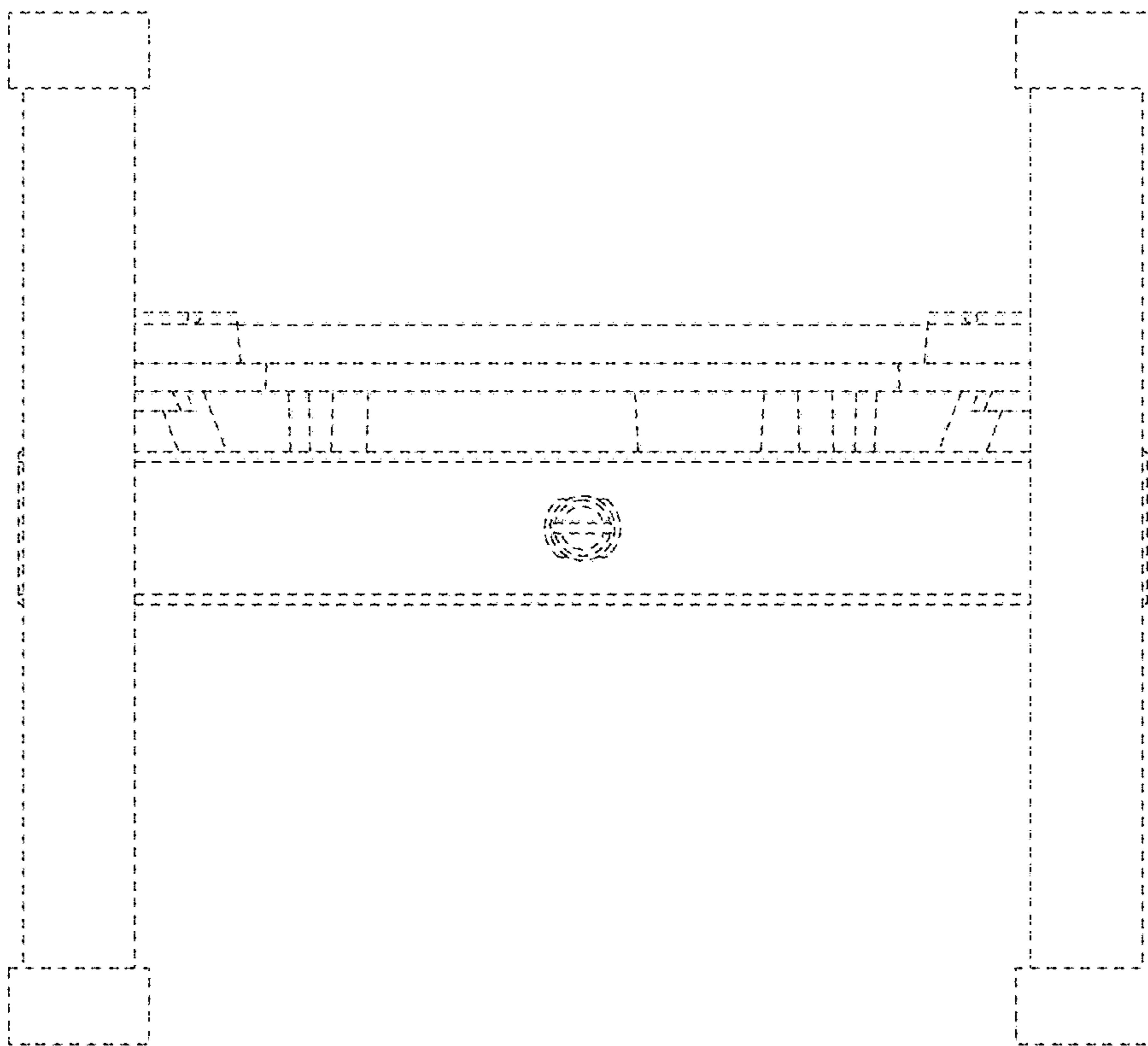


FIG. 15

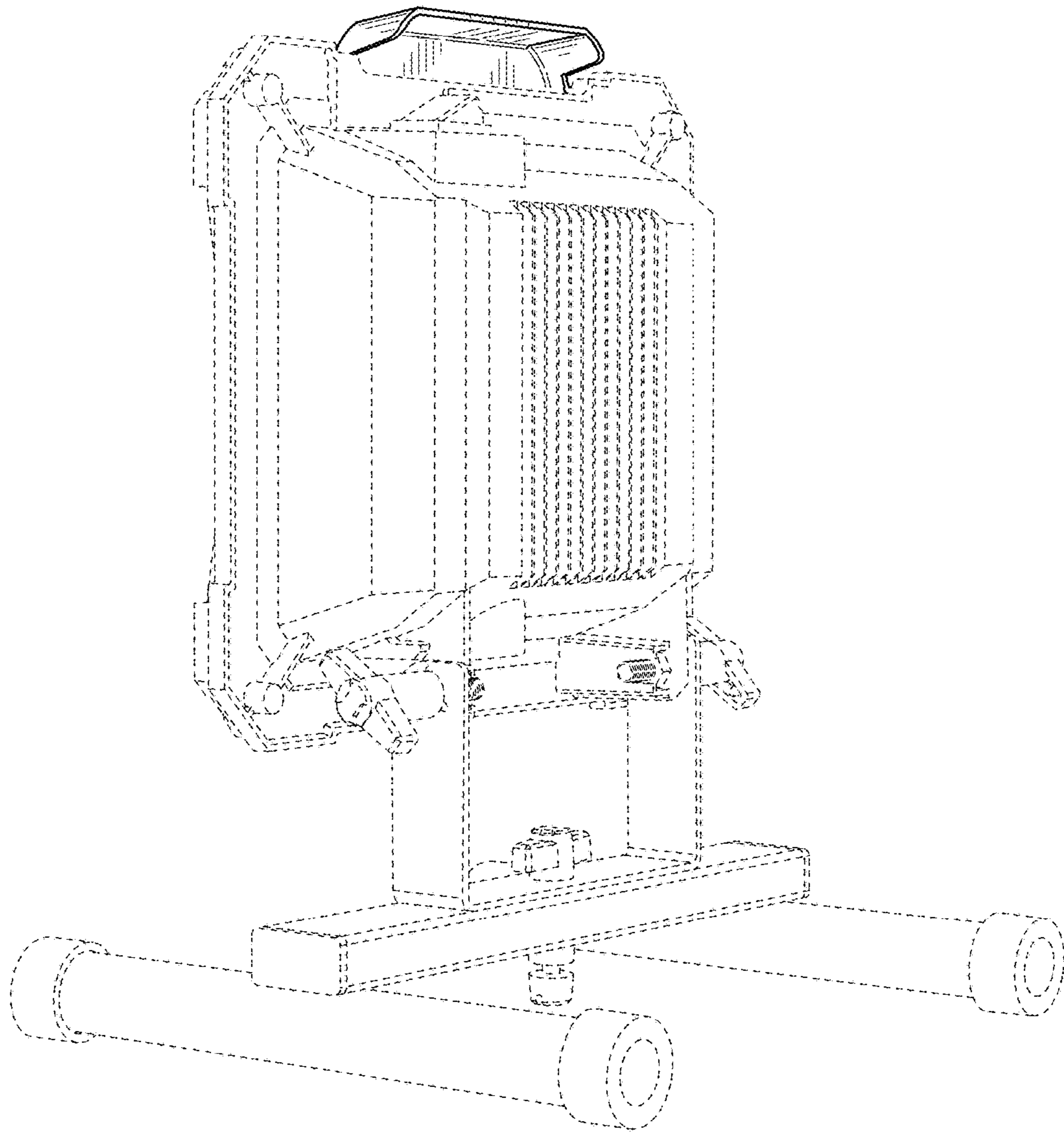


FIG. 16

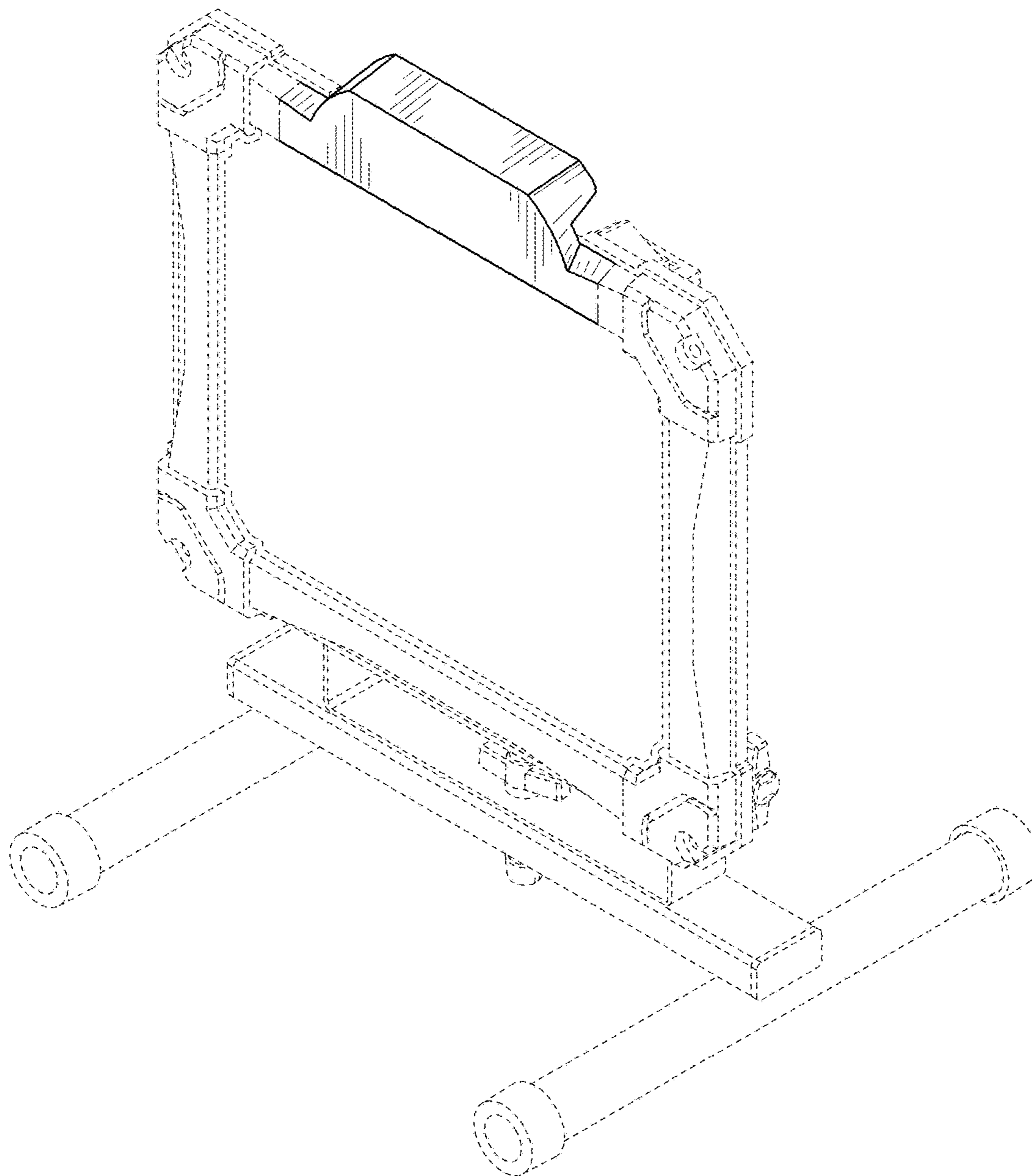


FIG. 17

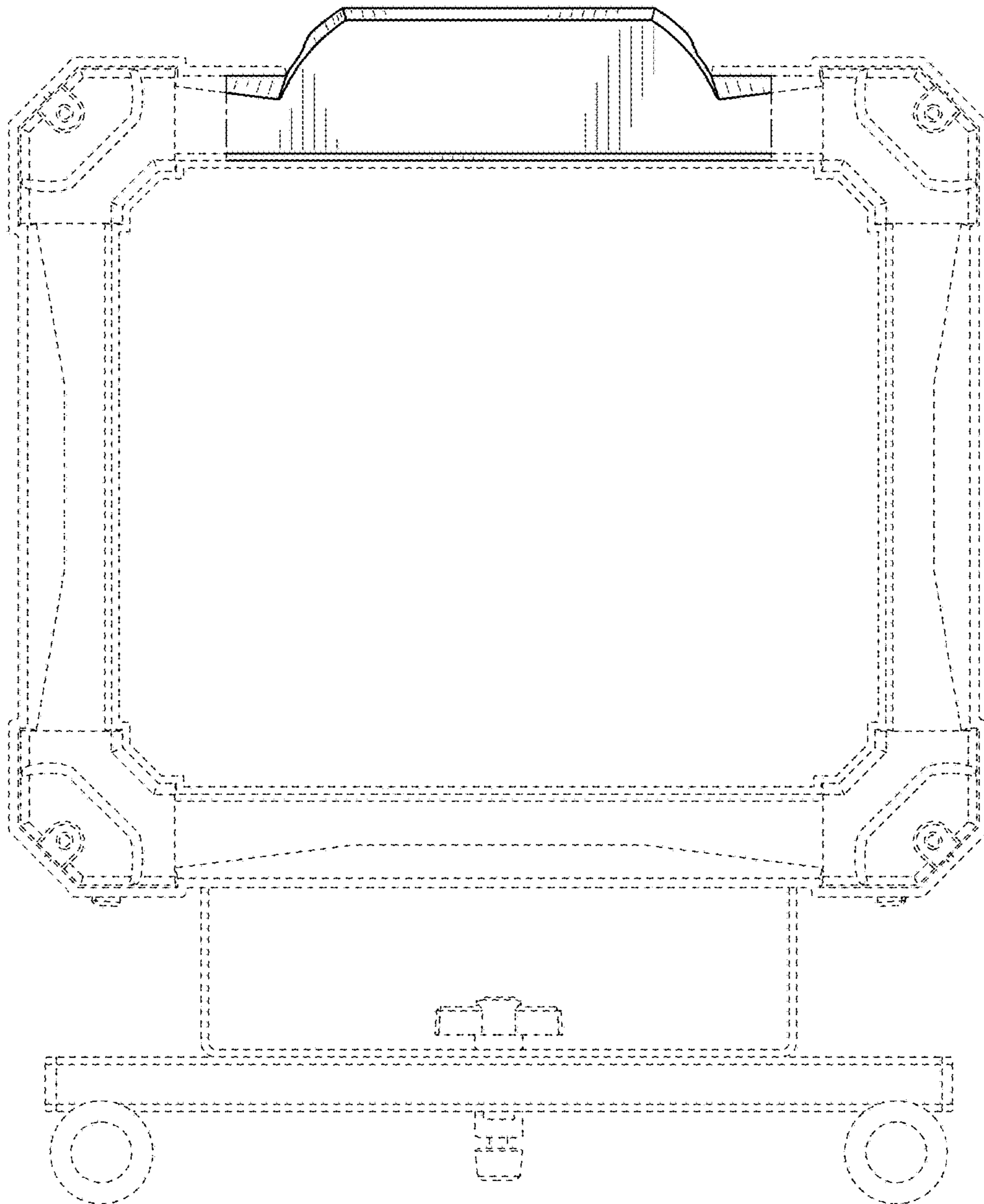


FIG. 18

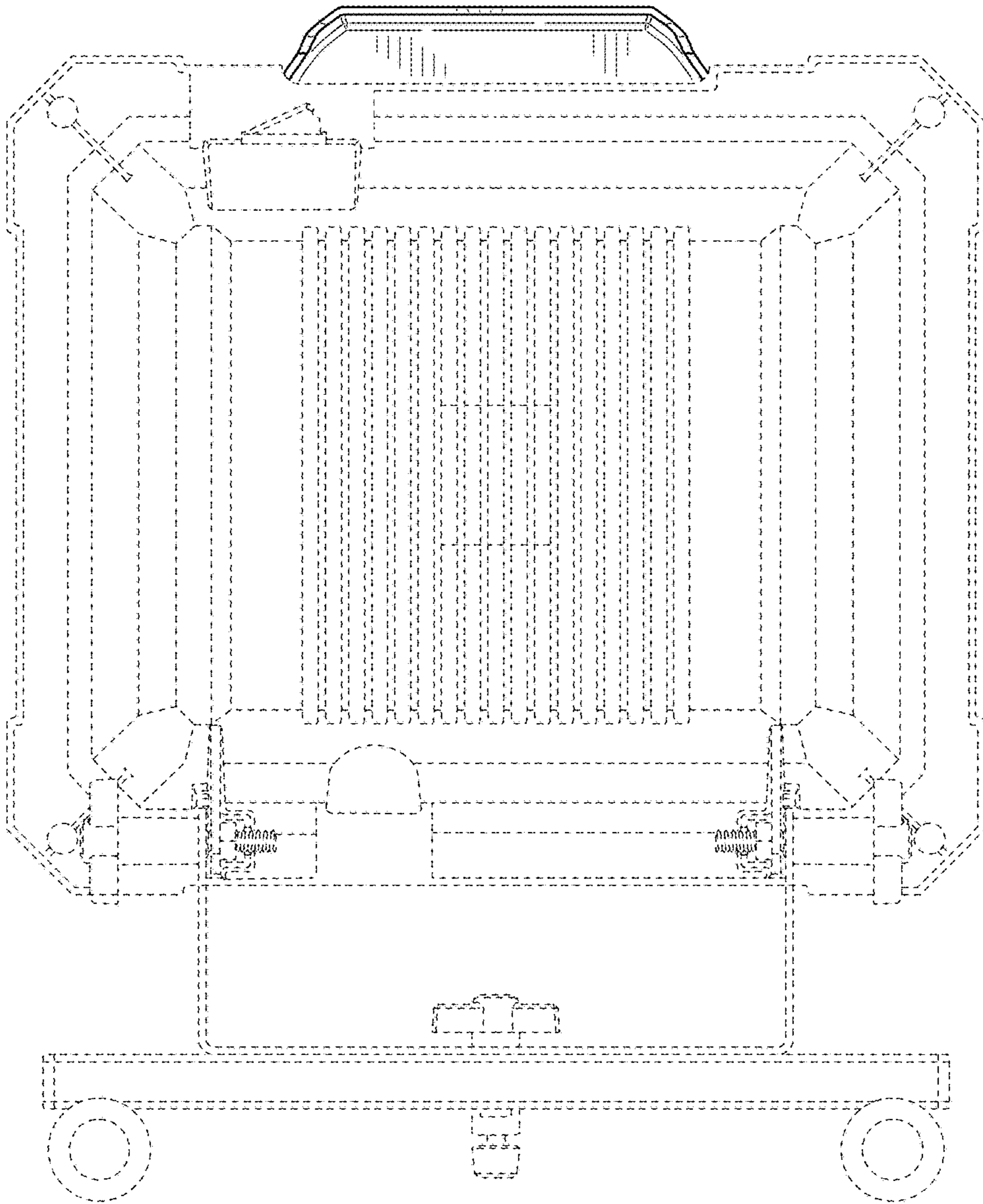


FIG. 19

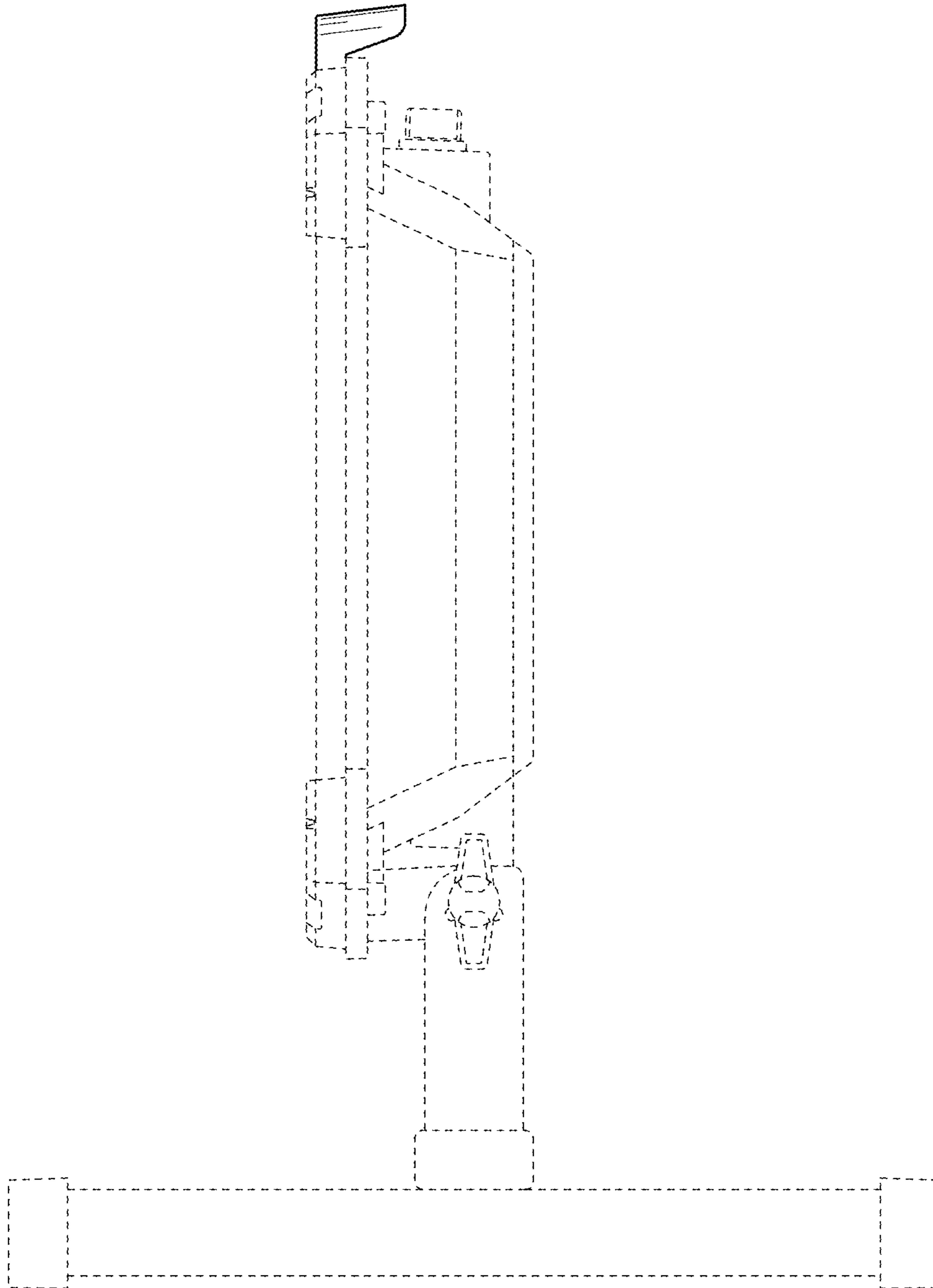


FIG. 20

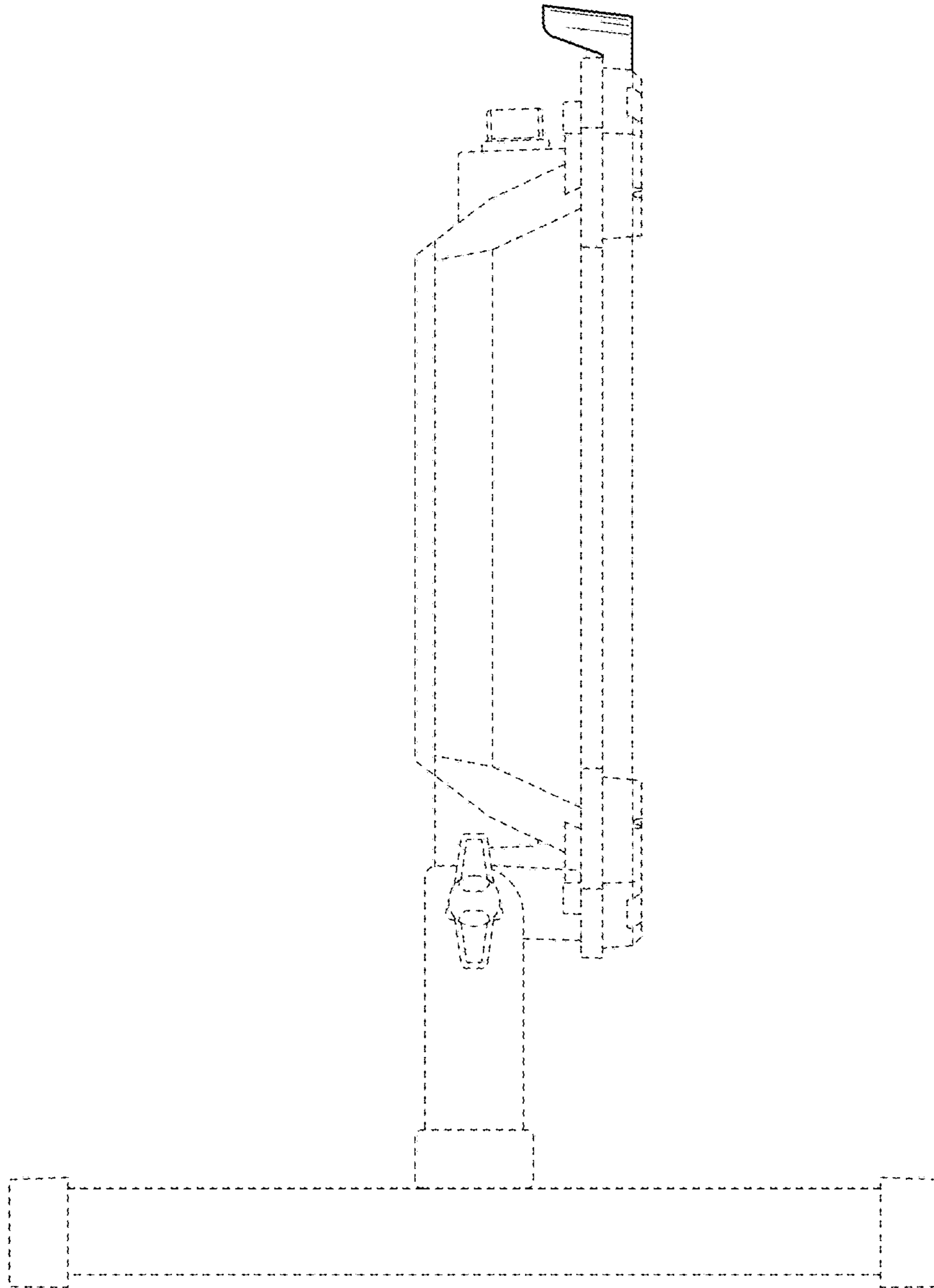


FIG. 21

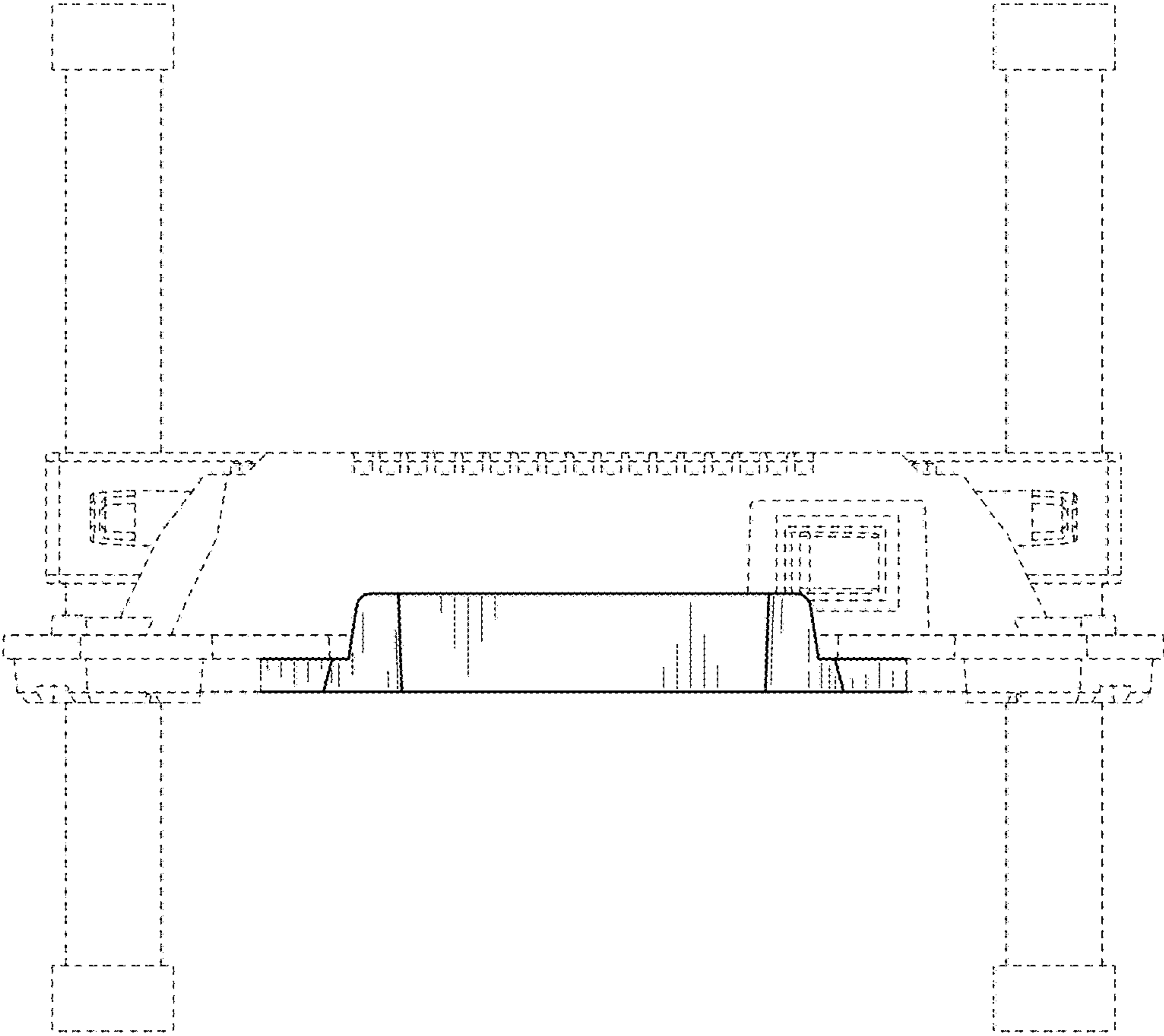


FIG. 22

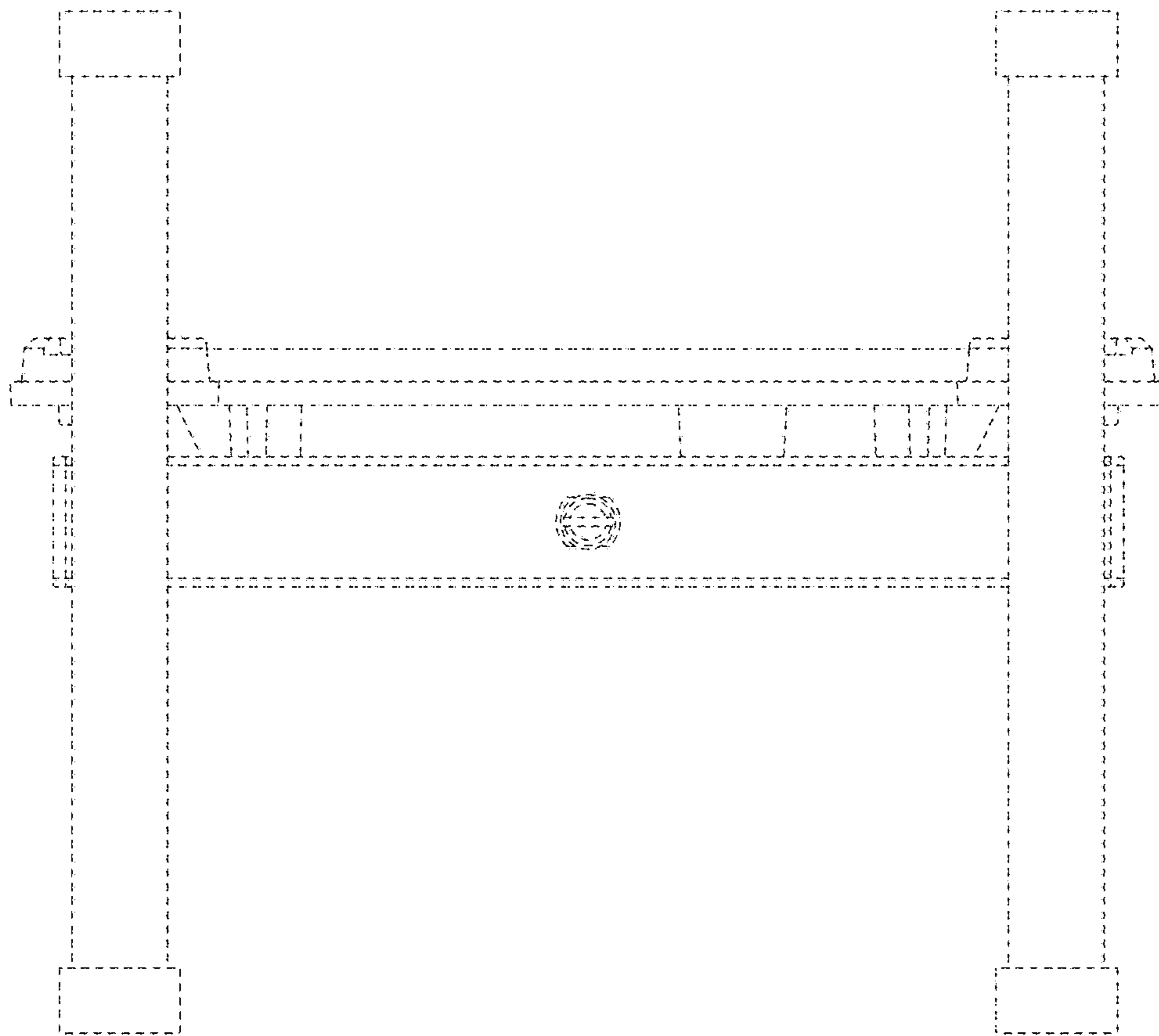


FIG. 23

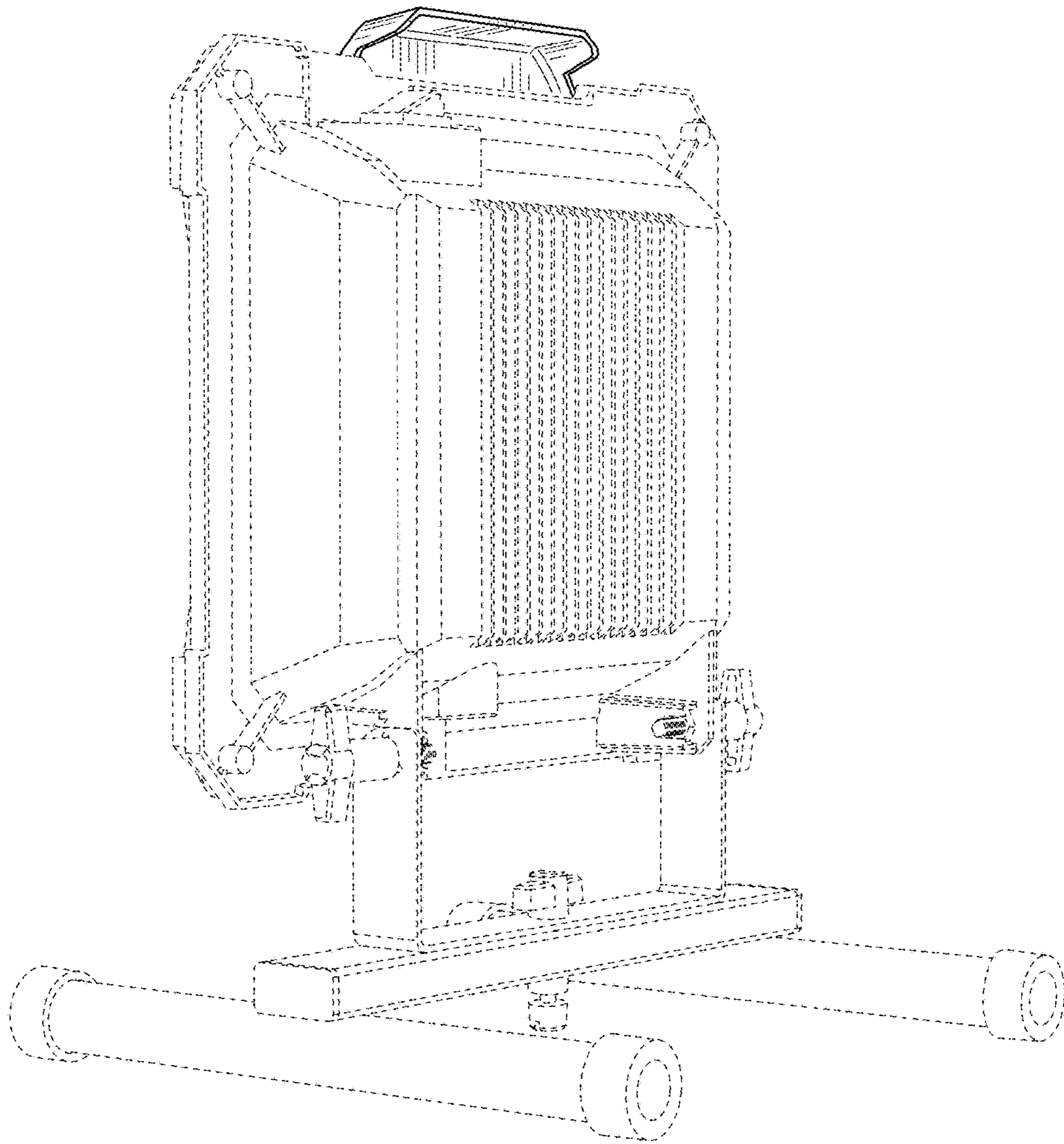


FIG. 24