

US00D827904S

(12) **United States Design Patent**
Benghozi et al.

(10) **Patent No.:** **US D827,904 S**

(45) **Date of Patent:** **** Sep. 4, 2018**

- (54) **RECESSED LIGHT FIXTURE**
- (71) Applicant: **BAZZ INC.**, Saint-Laurent (CA)
- (72) Inventors: **Simon Benghozi**, Montreal (CA);
Sebastien Allen, St-Lazare (CA)
- (73) Assignee: **BAZZ INC.**, Ville Saint-Laurent (CA)
- (**) Term: **15 Years**
- (21) Appl. No.: **29/627,211**
- (22) Filed: **Nov. 23, 2017**

D624,686 S *	9/2010	Toney, Jr.	D26/72
D640,819 S	6/2011	Pan	
D668,372 S	10/2012	Renshaw	
D671,668 S	11/2012	Rowlette, Jr.	
D673,712 S *	1/2013	Patel	D26/74
D698,974 S *	2/2014	Aniserowicz	D26/74
D703,861 S *	4/2014	Holland	D26/89
D715,476 S *	10/2014	Tien	D26/74
D731,689 S	6/2015	Bernard	
D740,996 S *	10/2015	Tragatschnig	D26/118
D767,809 S	9/2016	Gotz-Schafer	

(Continued)

Related U.S. Application Data

- (62) Division of application No. 29/567,244, filed on Jun. 7, 2016, now Pat. No. Des. 809,698.
- (51) **LOC (11) Cl.** **26-05**
- (52) **U.S. Cl.**
USPC **D26/74**
- (58) **Field of Classification Search**
USPC D26/74, 72, 75, 76, 77, 78, 85, 88, 89,
D26/118, 138, 141; 362/364, 365, 373,
362/145, 146, 147, 148, 150, 153, 153.1,
362/294, 296.01, 296.07, 296.08
See application file for complete search history.

References Cited

U.S. PATENT DOCUMENTS

4,237,671 A	12/1980	Munson	
4,400,766 A	8/1983	Munson	
5,257,775 A	11/1993	Burns	
5,548,497 A	8/1996	Cho	
D383,564 S	9/1997	Lecluze	
6,357,891 B1	3/2002	Newbold	
D488,251 S	4/2004	Benghozi	
D569,024 S *	5/2008	Redfern	D26/74
D622,434 S	9/2010	Ward	

OTHER PUBLICATIONS

OA U.S. Appl. No. 29/567,244 dated Sep. 22, 2017.

(Continued)

Primary Examiner — Angela J Lee

(74) *Attorney, Agent, or Firm* — Gonzalo Lavin

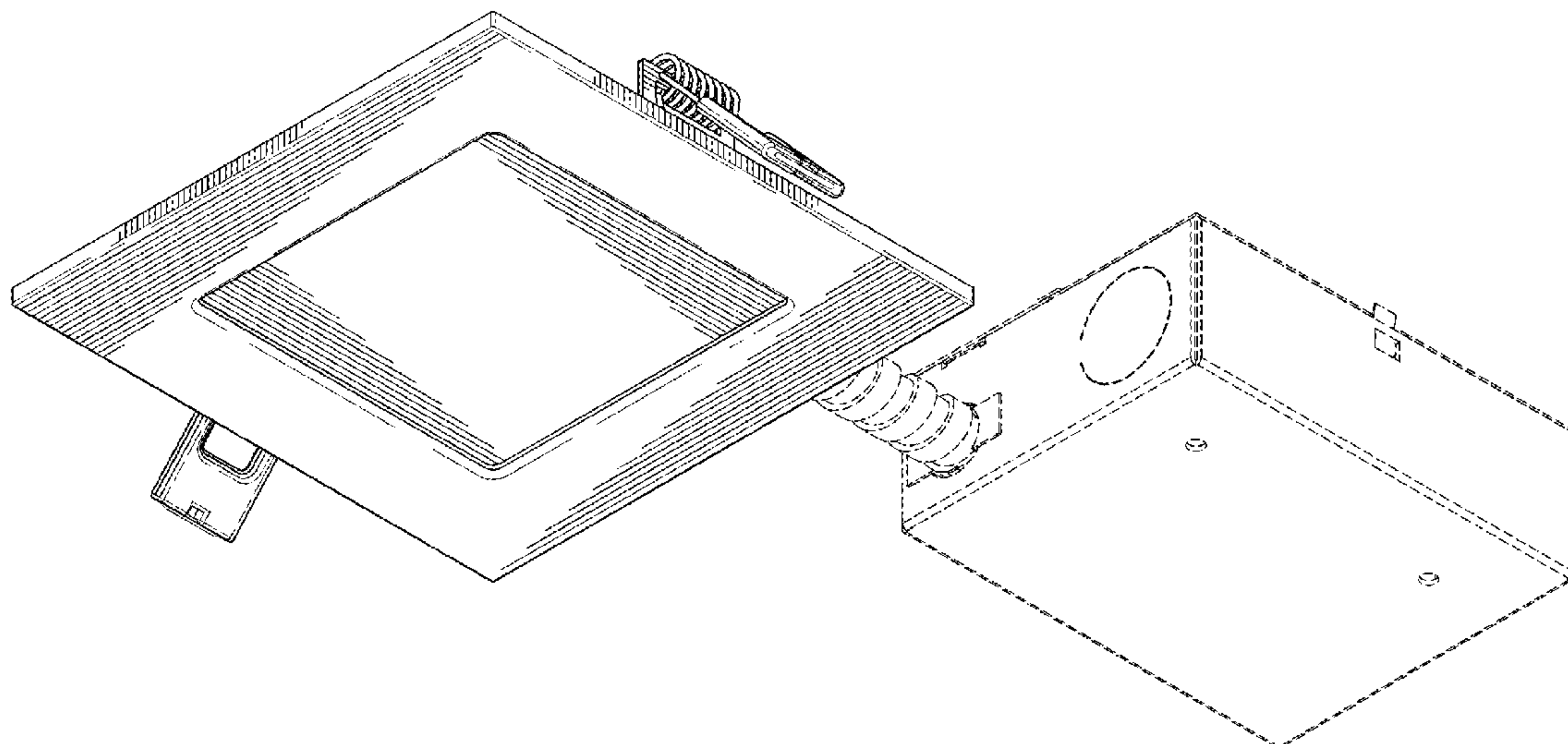
(57) **CLAIM**

The ornamental design for a “recessed light fixture”, as shown and described.

DESCRIPTION

FIG. 1 is perspective bottom view of the recessed light fixture;
 FIG. 2 is a front view of the recessed light fixture of FIG. 1;
 FIG. 3 is a rear view of the recessed light fixture of FIG. 1;
 FIG. 4 is a right side view of the recessed light fixture of FIG. 1;
 FIG. 5 is a left side view of the recessed light fixture of FIG. 1;
 FIG. 6 is a bottom plan view of the recessed light fixture of FIG. 1; and,
 FIG. 7 is a top plan view of the recessed light fixture of FIG. 1.

1 Claim, 5 Drawing Sheets



(56)

References Cited

U.S. PATENT DOCUMENTS

D772,466	S	11/2016	Zhang	
D773,097	S	11/2016	Zhao et al.	
D779,101	S *	2/2017	Redfern	D26/74
D784,592	S *	4/2017	Gan	D26/72
D784,593	S *	4/2017	Ambrozus	D26/74
D809,696	S *	2/2018	Wheatley	D26/74
D809,698	S *	2/2018	Benghozi	D26/74
2002/0157324	A1	10/2002	Newbold	
2007/0206374	A1	9/2007	Petrakis	
2008/0170404	A1	7/2008	Steer	
2012/0218764	A1	8/2012	Williamson	

OTHER PUBLICATIONS

OA U.S. Appl. No. 15/613,753 dated Mar. 9, 2018.
Notice of allowance U.S. Appl. No. 29/567,242 dated Mar. 29, 2018.

* cited by examiner

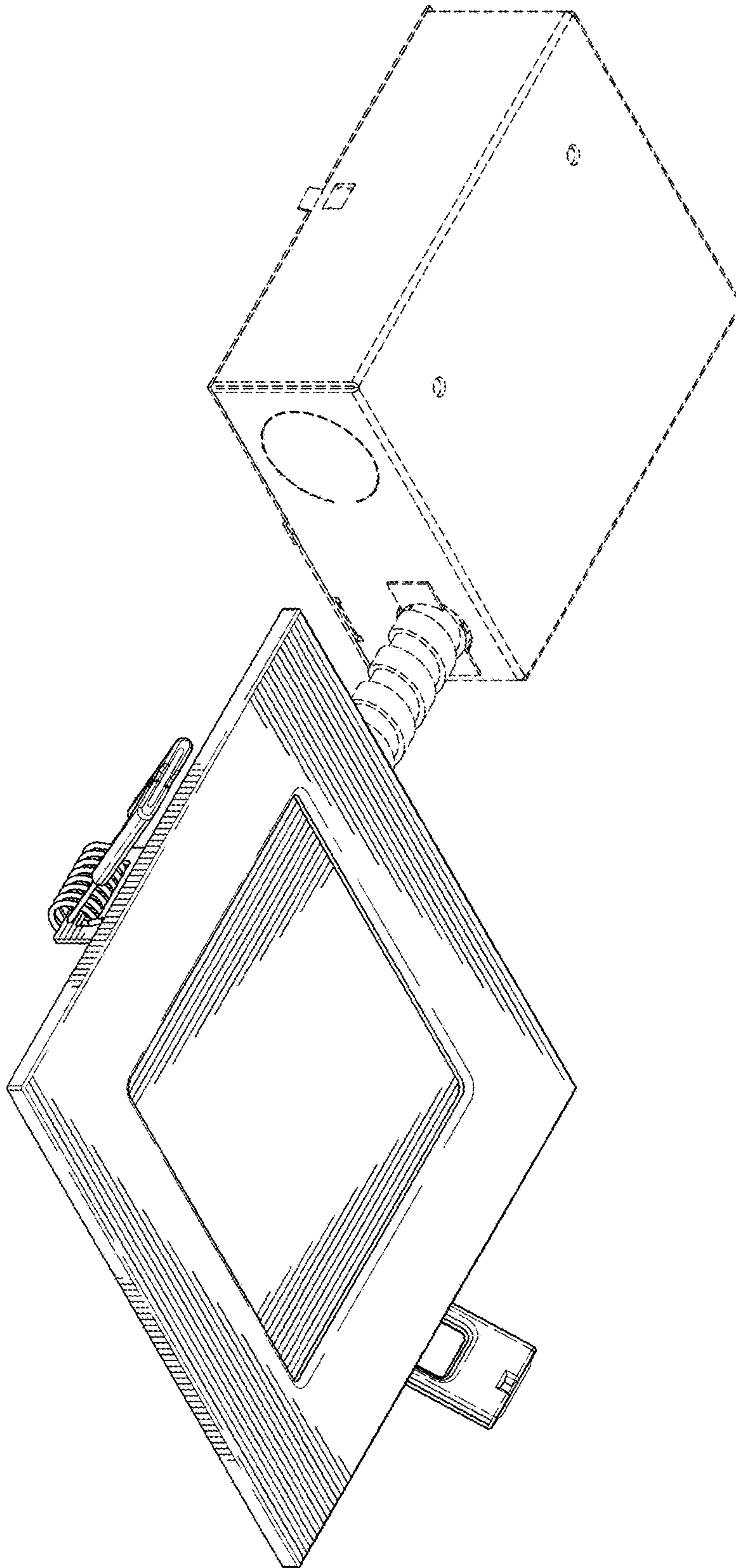


FIG. 1

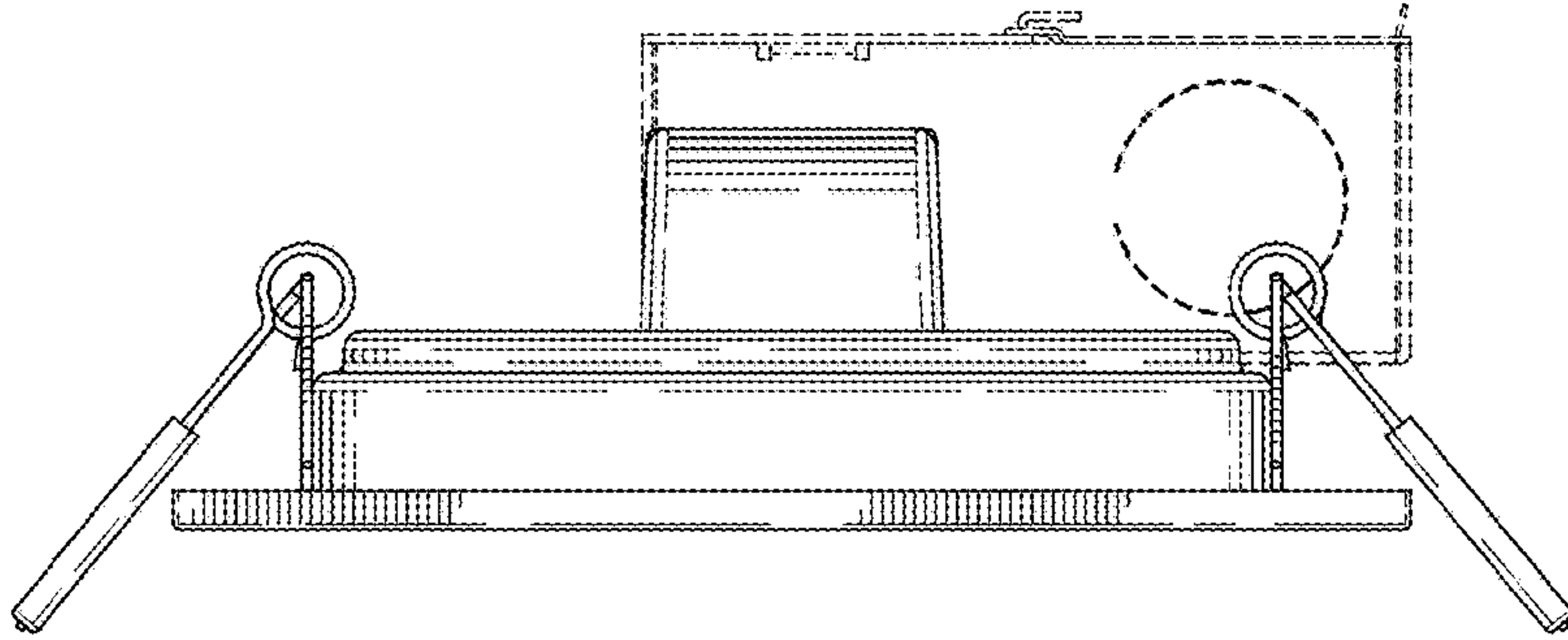


FIG. 2

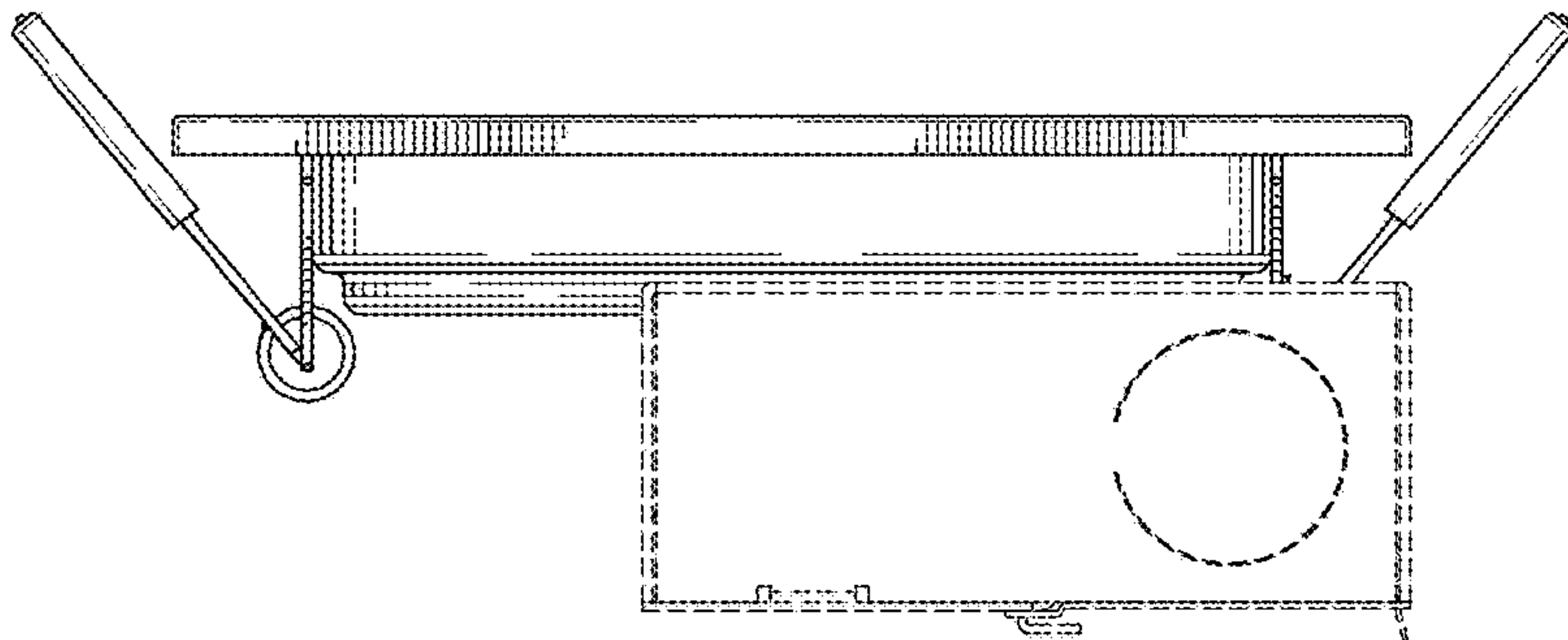


FIG. 3

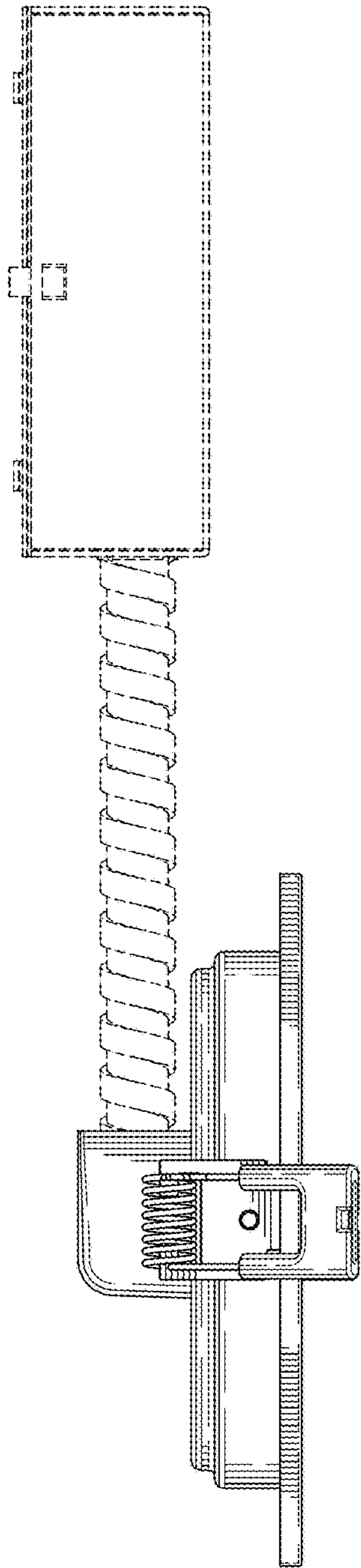


FIG - 4

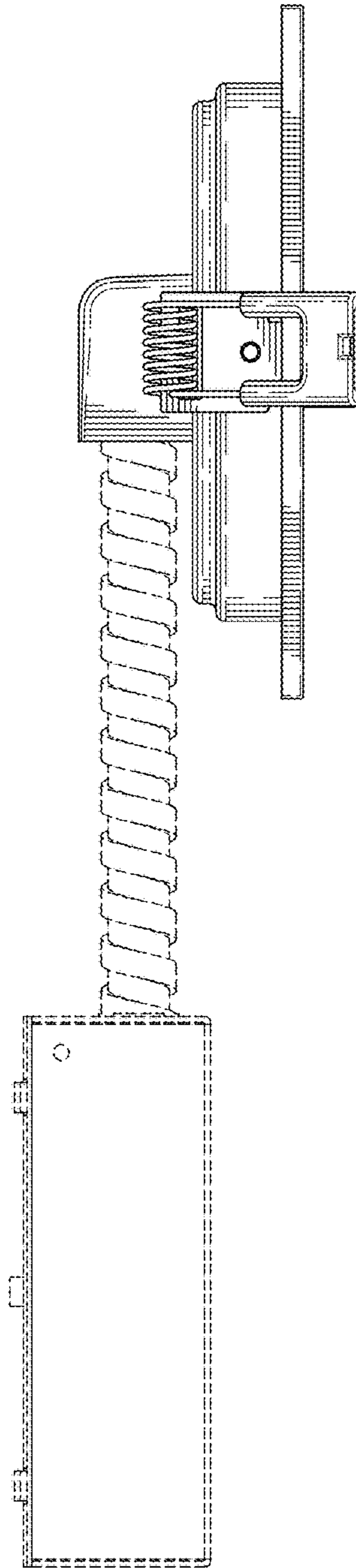
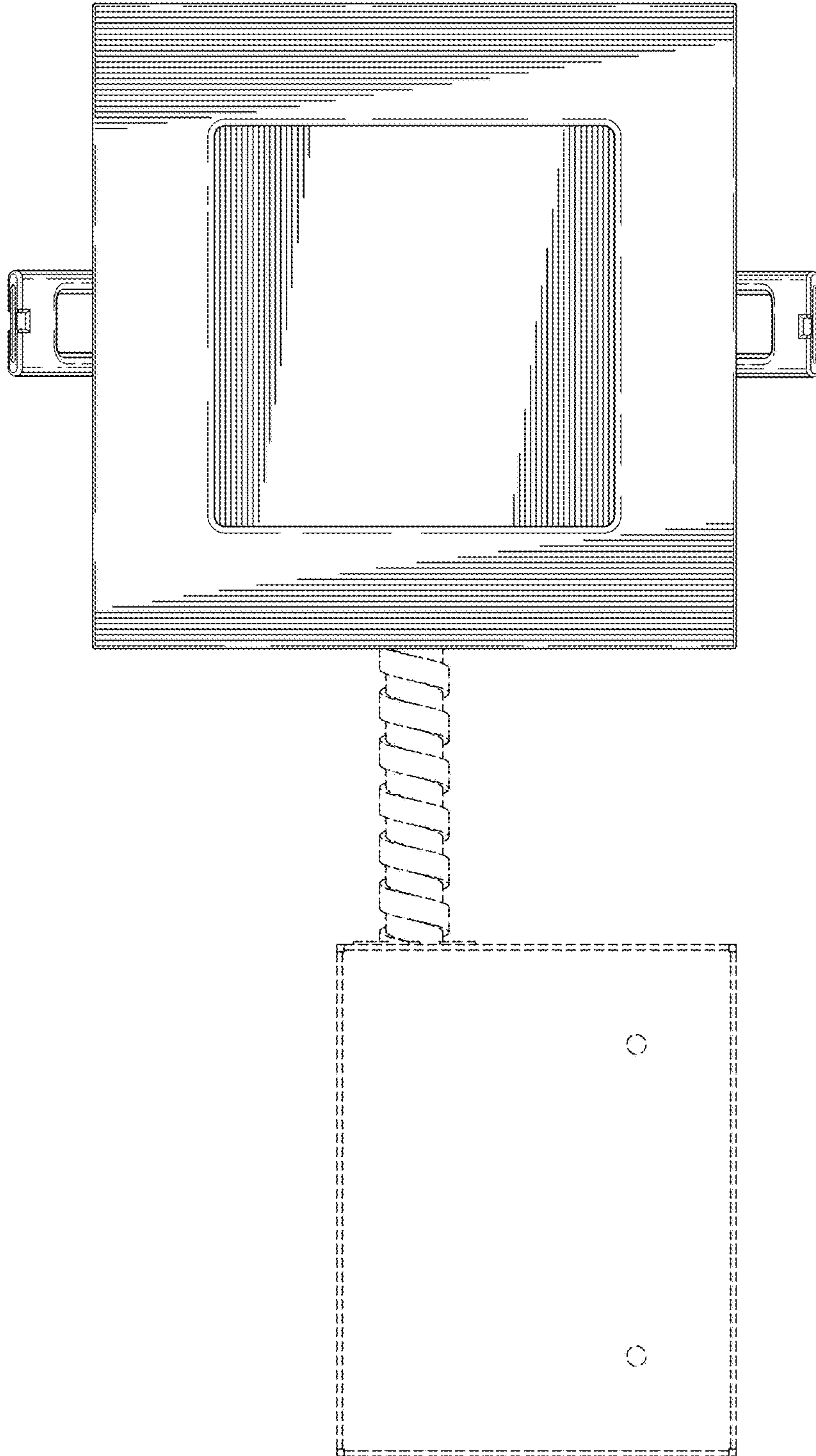


FIG - 5



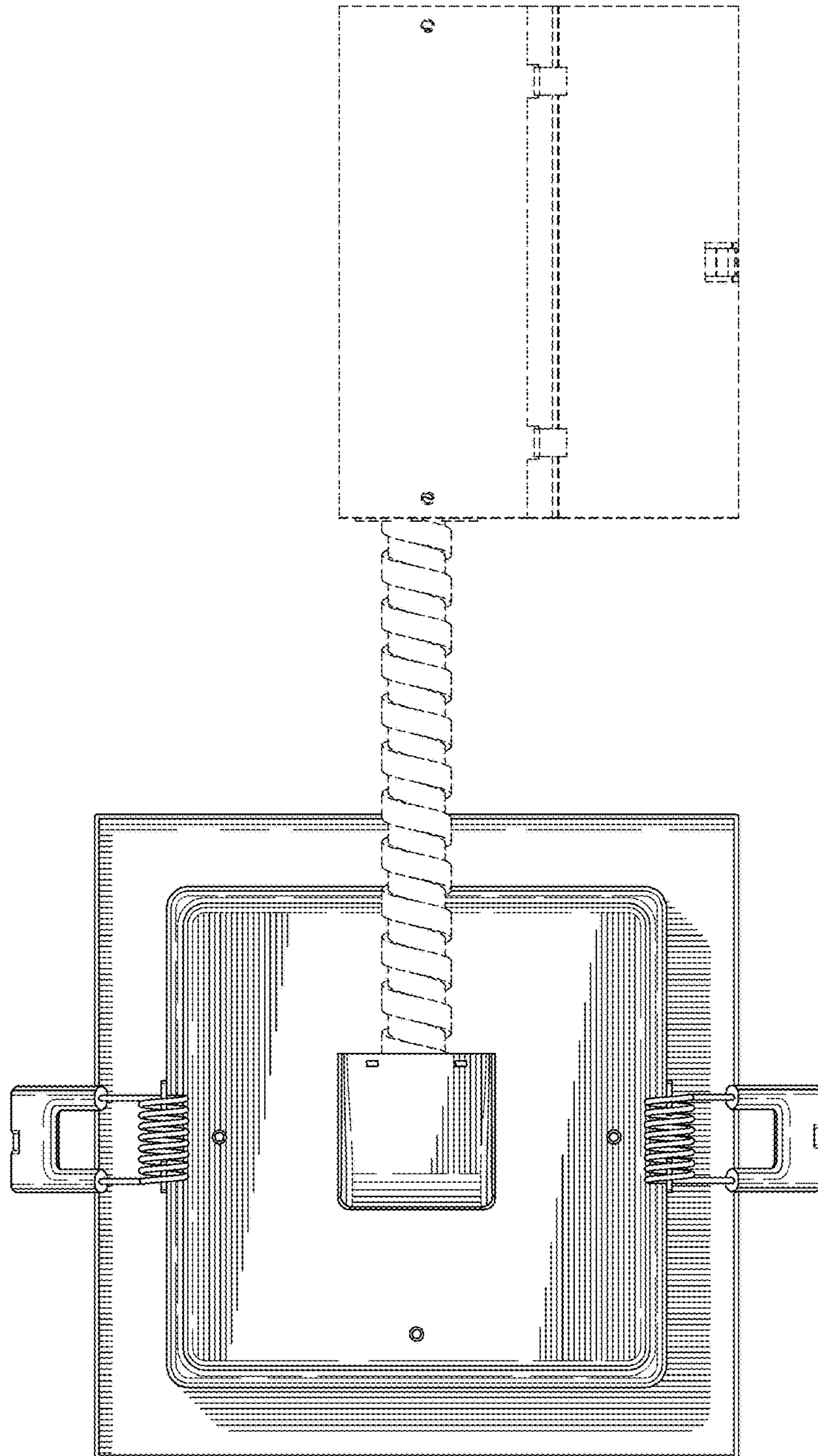


FIG. 7