

US00D827903S

(12) **United States Design Patent**
Wu

(10) **Patent No.:** **US D827,903 S**

(45) **Date of Patent:** **** Sep. 4, 2018**

(54) **LED DOWNLIGHT**

(71) Applicant: **Vertex Lighting And Electrical Co., Ltd.**, Foshan (CN)

(72) Inventor: **Liangju Wu**, Foshan (CN)

(73) Assignee: **Vertex Lighting And Electrical Co., Ltd.** (CN)

(**) Term: **15 Years**

(21) Appl. No.: **29/590,655**

(22) Filed: **Jan. 12, 2017**

(30) **Foreign Application Priority Data**

Aug. 16, 2016 (CN) 2016 3 0393733

(51) **LOC (11) Cl.** **26-05**

(52) **U.S. Cl.**
USPC **D26/74**

(58) **Field of Classification Search**
USPC D26/74, 72, 75, 76, 77, 78, 85, 88, 89,
D26/118, 138, 141; 362/364, 365, 373,
362/145, 146, 147, 148, 150, 153, 153.1,
362/294, 296.01, 296.07, 296.08
See application file for complete search history.

(56) **References Cited**

U.S. PATENT DOCUMENTS

D326,537 S * 5/1992 Gattari D26/74
D601,293 S * 9/2009 MacKenzie D26/74

D681,859 S * 5/2013 Beregszaszi D26/74
D696,448 S * 12/2013 Huh D26/74
D700,387 S * 2/2014 Snell D26/74
D710,047 S * 7/2014 Hildebrandt D26/74
D777,967 S * 1/2017 Redfern D26/74
D778,484 S * 2/2017 Guzzini D26/74
D786,472 S * 5/2017 Redfern D26/74
D808,058 S * 1/2018 Johnson D26/74
D810,345 S * 2/2018 Redfern D26/74

* cited by examiner

Primary Examiner — Angela J Lee

(74) *Attorney, Agent, or Firm* — Lerner, David,
Littenberg, Krumholz & Mentlik, LLP

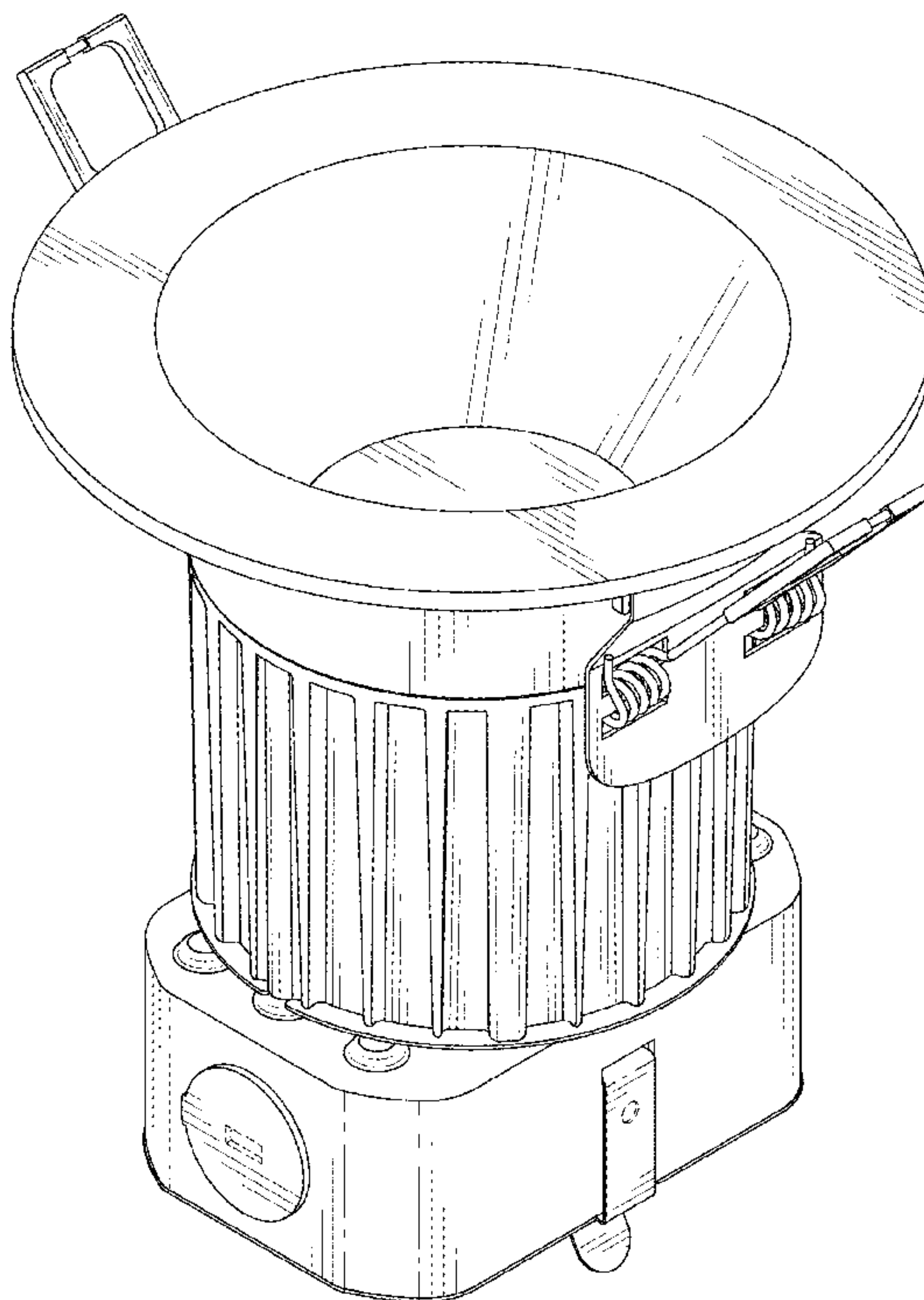
(57) **CLAIM**

The ornamental design for a LED downlight, as shown and described.

DESCRIPTION

FIG. 1 is an upper perspective view of a LED downlight showing my new design;
FIG. 2 is a lower perspective view thereof;
FIG. 3 is a front view thereof;
FIG. 4 is a rear view thereof;
FIG. 5 is a left side view thereof;
FIG. 6 is a right side view thereof;
FIG. 7 is a top view thereof; and,
FIG. 8 is a bottom view thereof.
The broken lines in the drawings shown represent portions of the LED downlight that form no part of the claimed design.

1 Claim, 8 Drawing Sheets



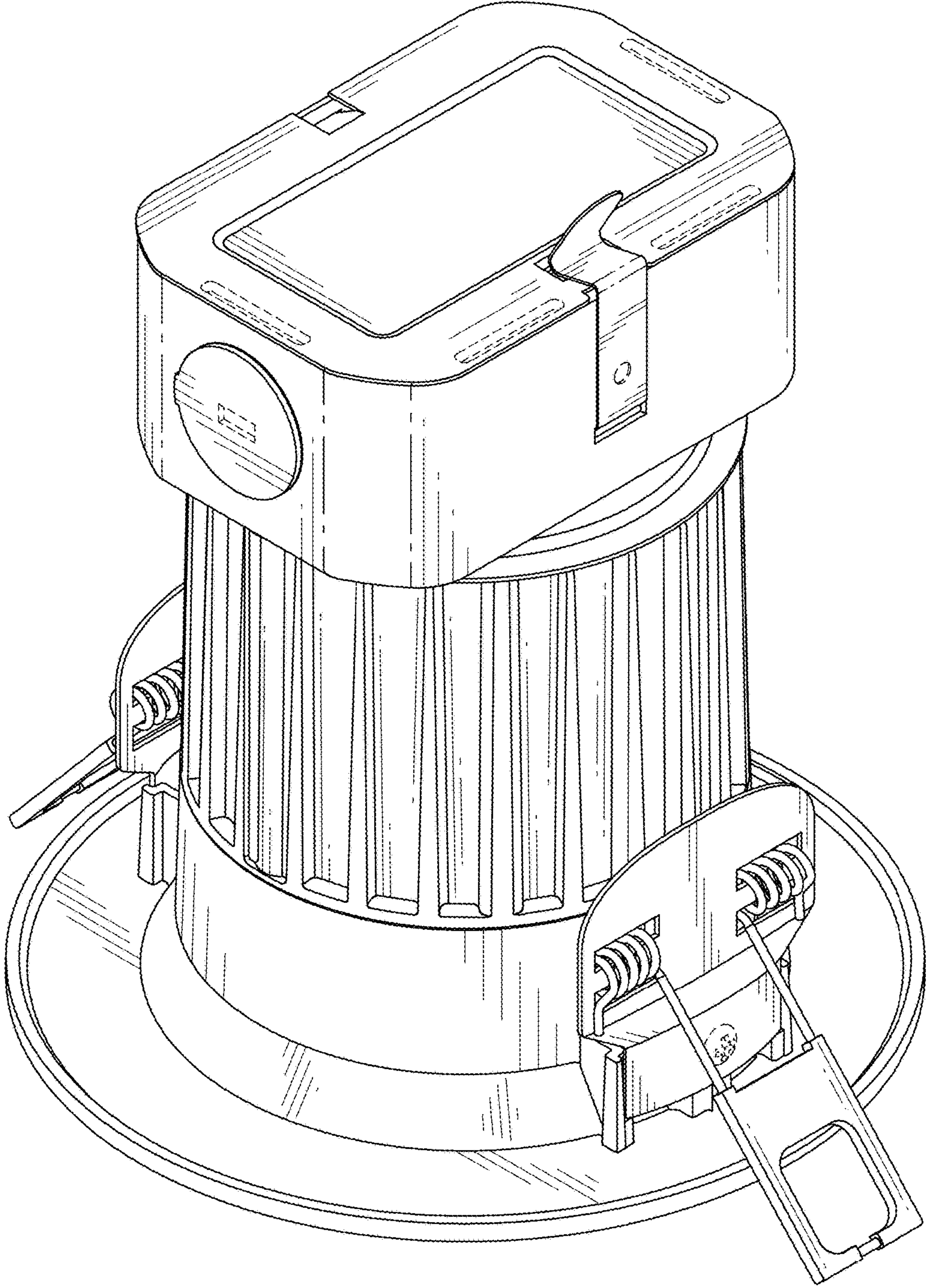


FIG. 1

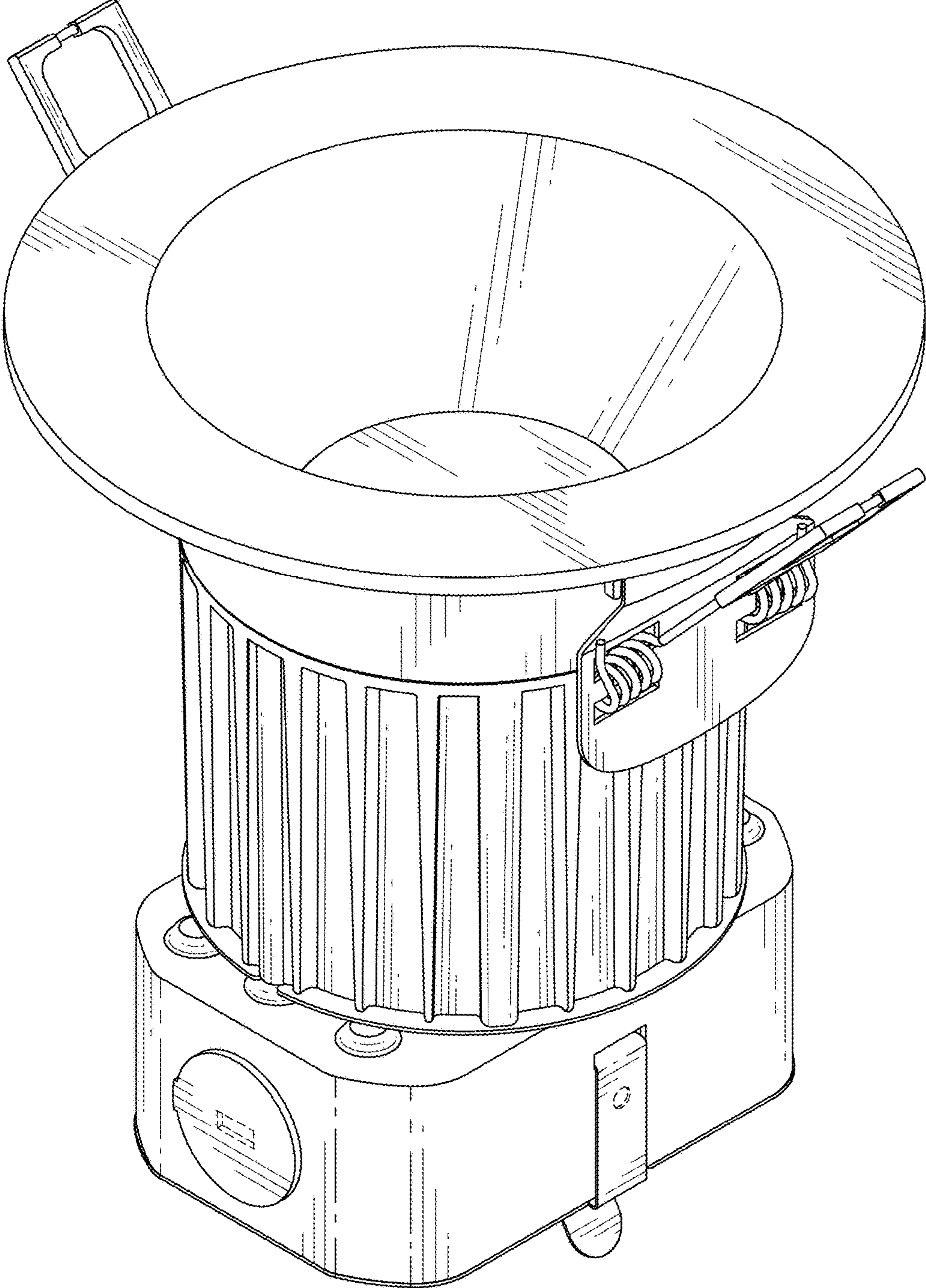


FIG. 2

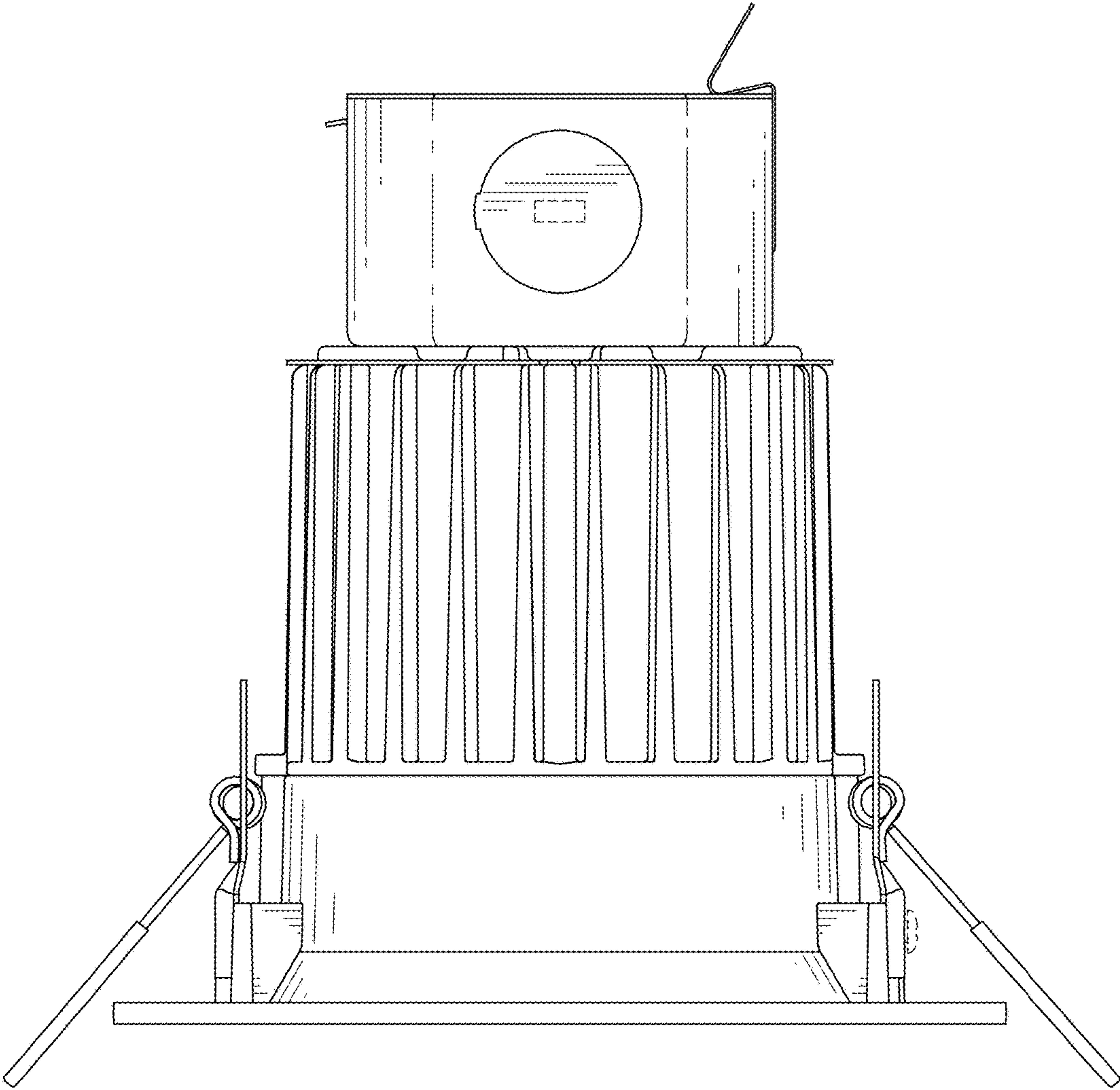


FIG. 3

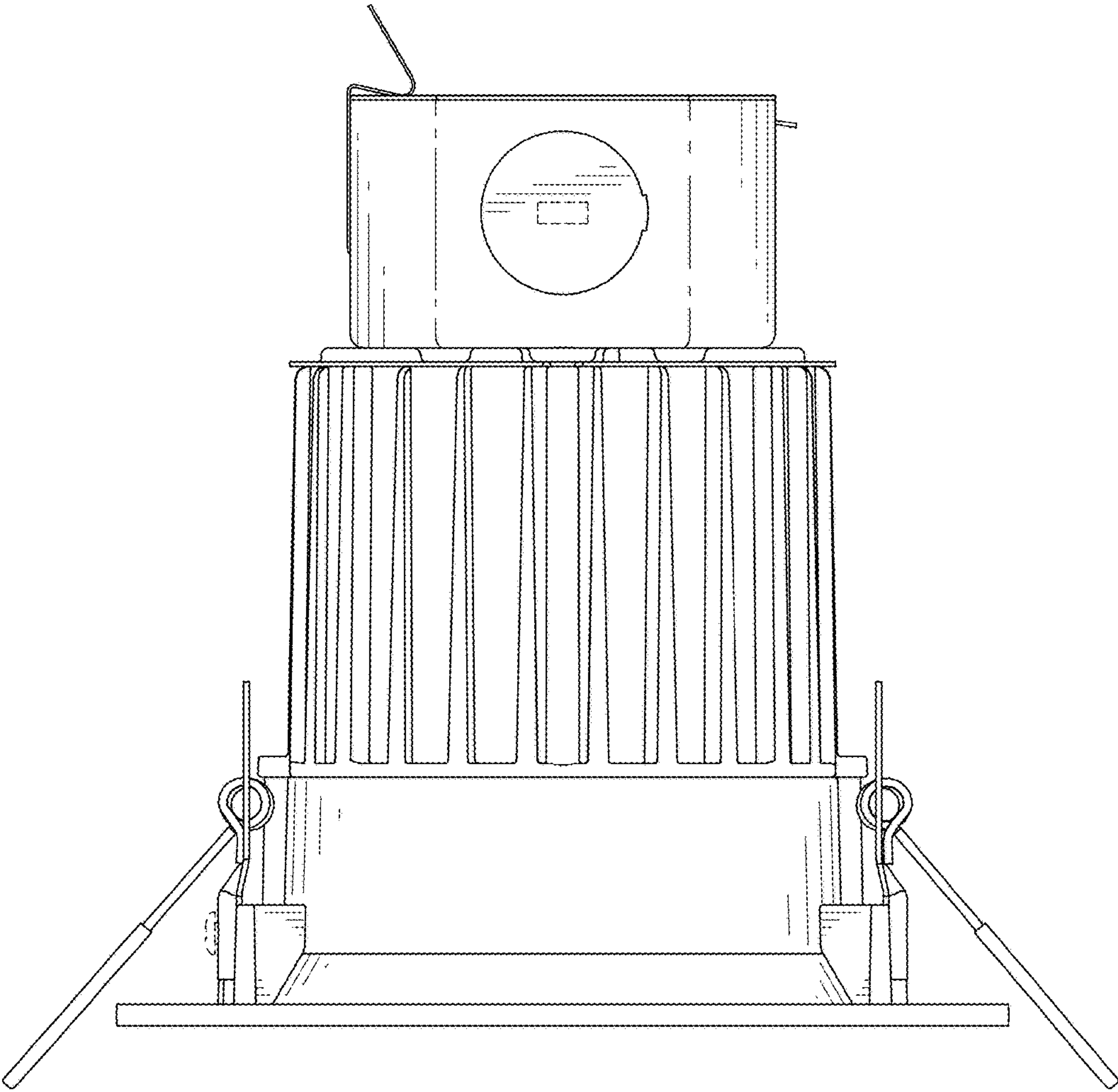


FIG. 4

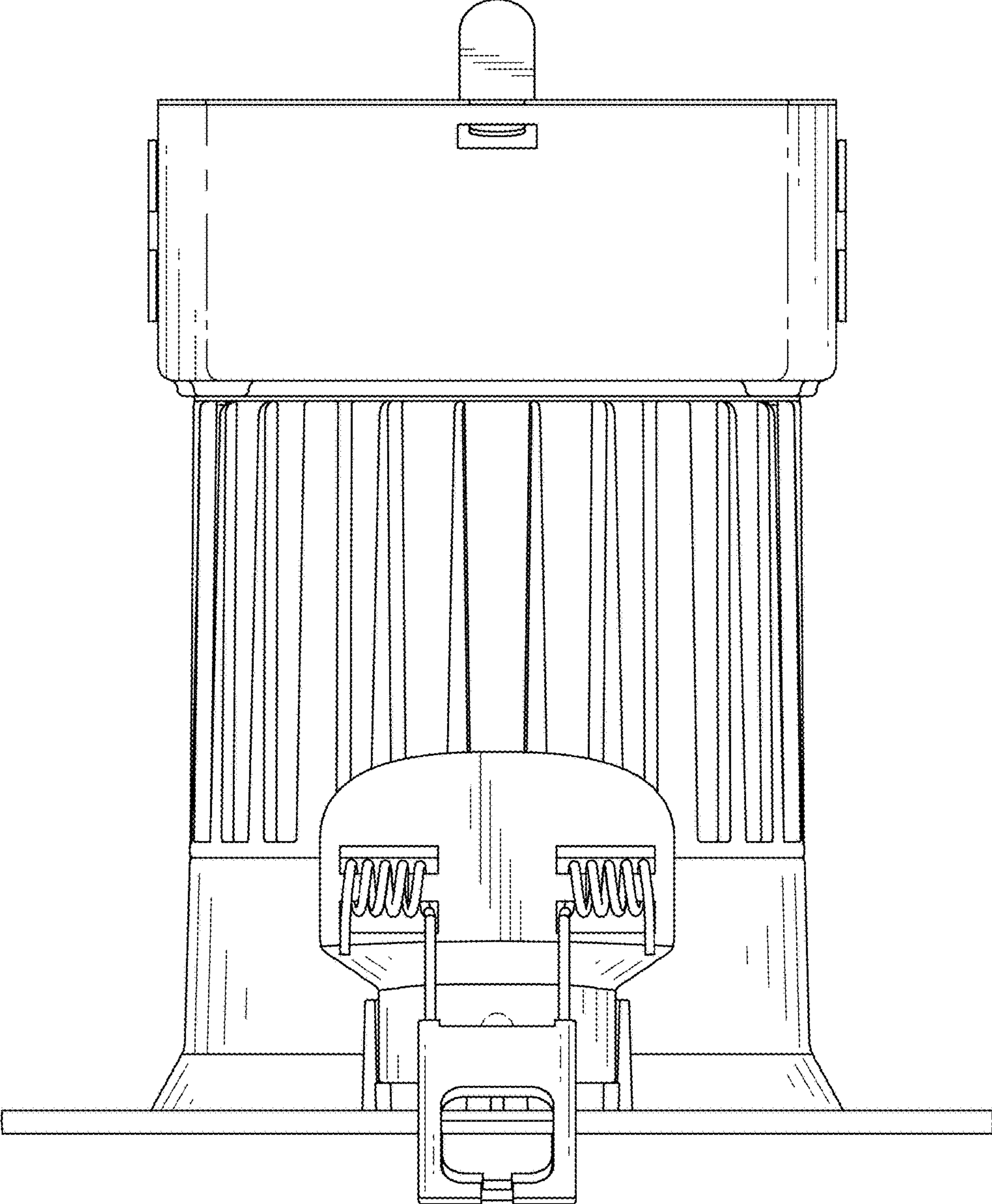


FIG. 5

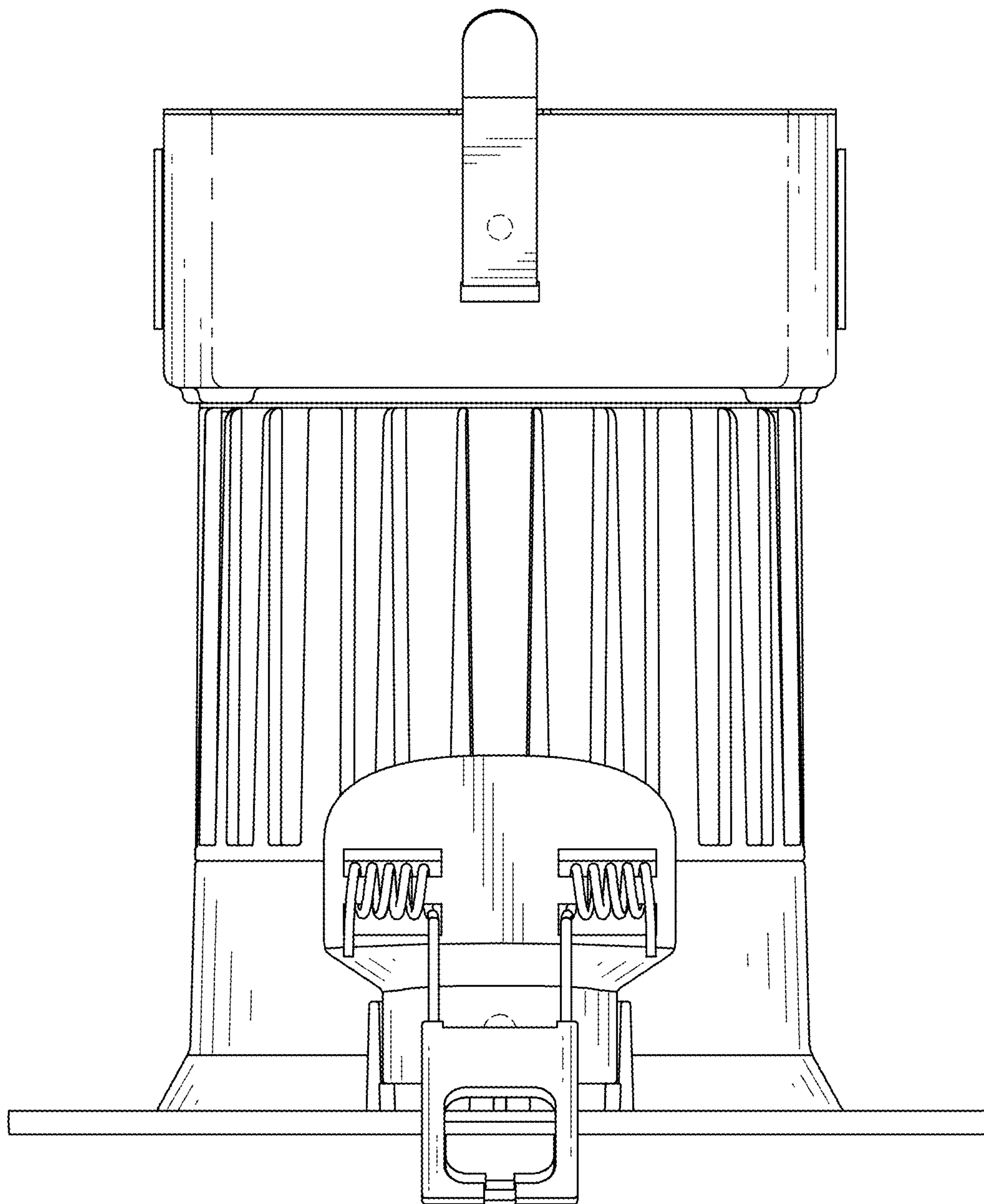


FIG. 6

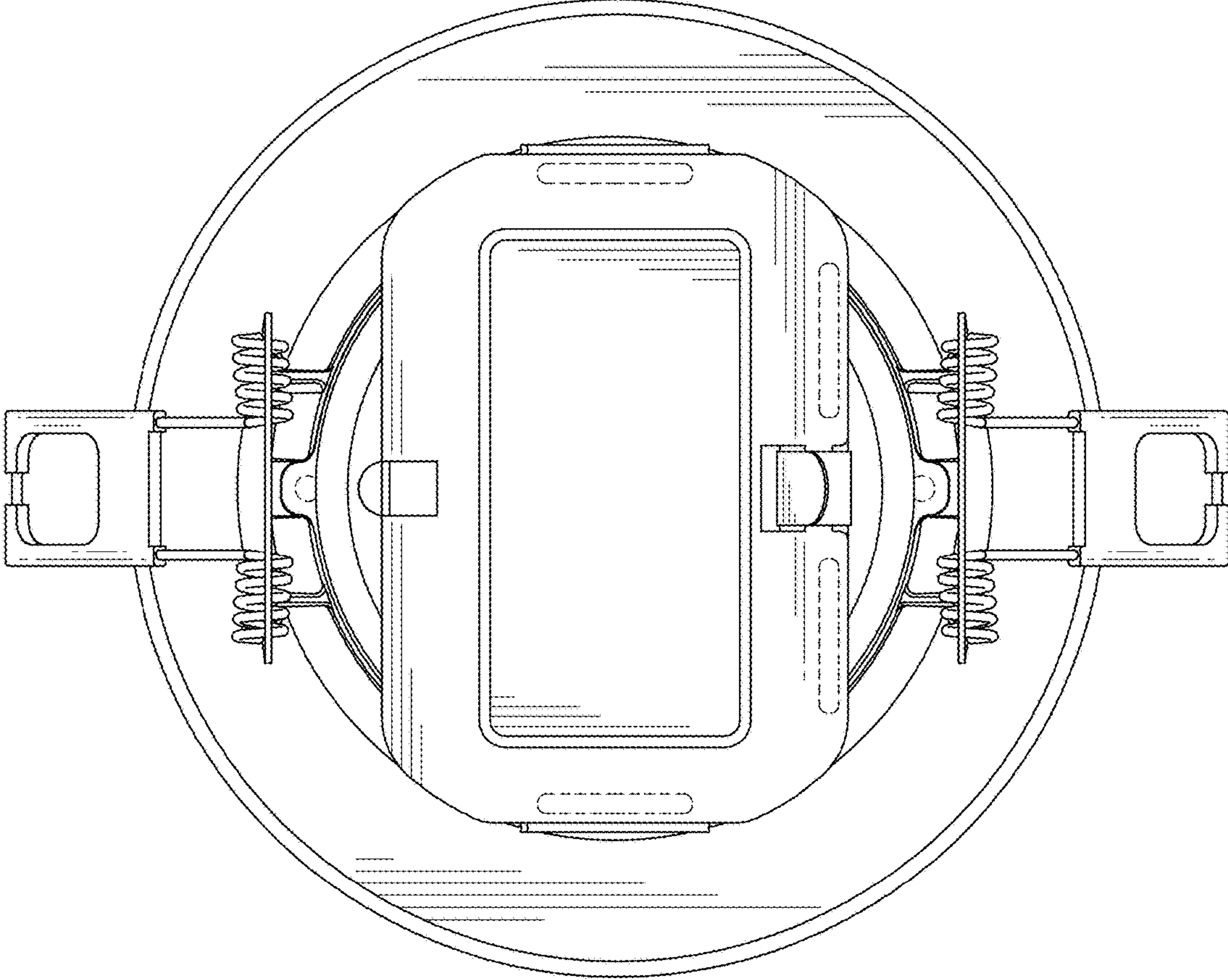


FIG. 7

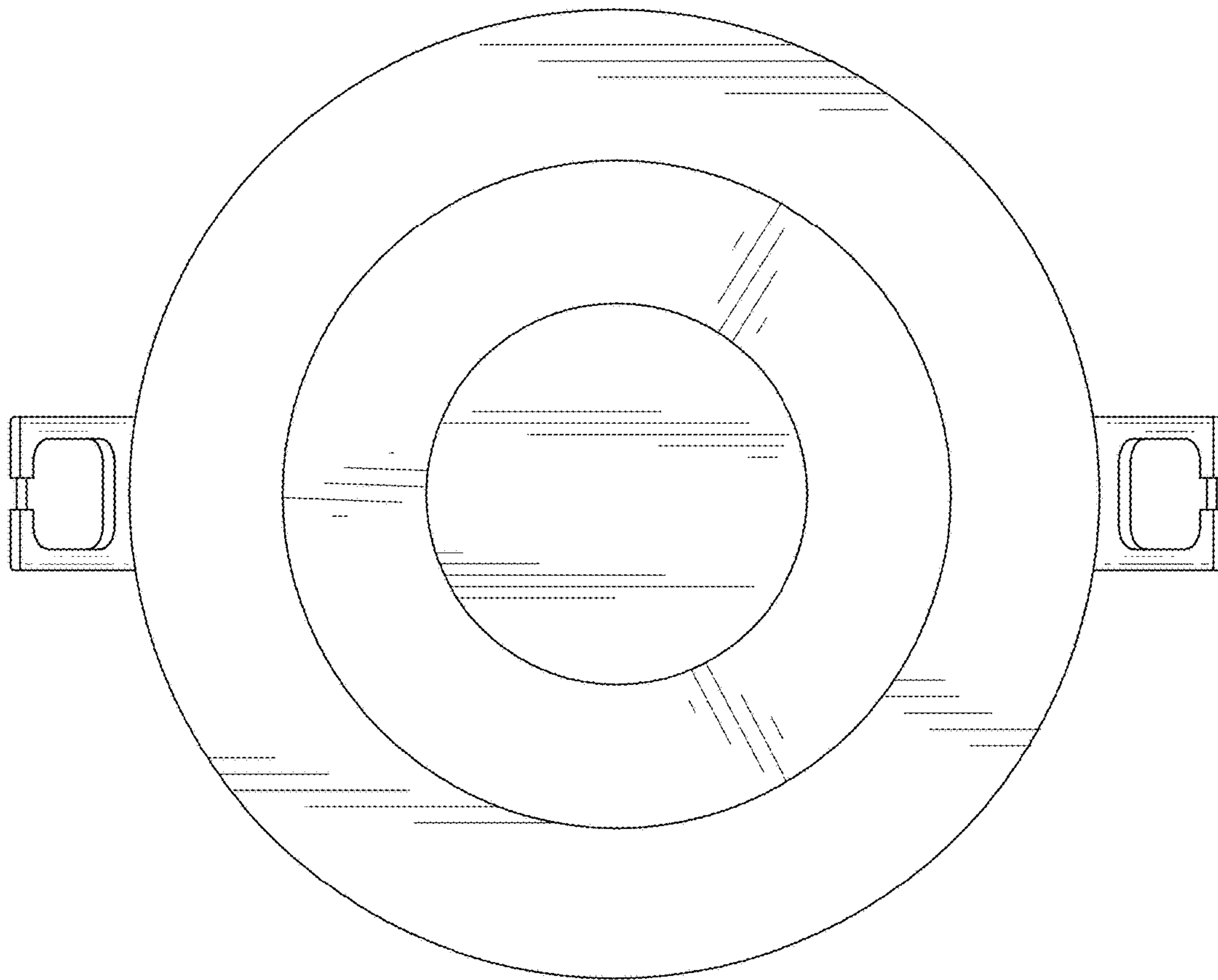


FIG. 8