



US00D827900S

(12) **United States Design Patent**
Zhang

(10) **Patent No.:** **US D827,900 S**

(45) **Date of Patent:** **** Sep. 4, 2018**

(54) **TORCH LANDSCAPE LIGHT**

(71) Applicant: **Donglin Zhang**, Guangdong (CN)

(72) Inventor: **Donglin Zhang**, Guangdong (CN)

(**) Term: **15 Years**

(21) Appl. No.: **29/617,429**

(22) Filed: **Sep. 14, 2017**

(51) **LOC (11) Cl.** **26-05**

(52) **U.S. Cl.**
USPC **D26/68**

(58) **Field of Classification Search**
USPC D26/8, 67, 68, 85, 119, 129, 131, 132
CPC F21S 8/032; F21S 8/081; F21S 9/03; F21S
9/037; F21W 2131/109; F21W 2111/02;
F21W 2111/023; F21W 2111/06; F21V
21/0824
See application file for complete search history.

(56) **References Cited**

U.S. PATENT DOCUMENTS

D199,144 S * 9/1964 Daum D26/67
3,721,516 A * 3/1973 Reese F21V 21/0824
239/276

D533,676 S * 12/2006 Hon D26/67
D539,957 S * 4/2007 Luo D26/128
D557,851 S * 12/2007 Chen D26/67
D603,996 S * 11/2009 Chen D26/67
D610,285 S * 2/2010 Sanoner D26/68
D626,677 S * 11/2010 Hackett D26/67
8,201,971 B2 * 6/2012 Chen F21S 8/081
362/249.02
D663,461 S * 7/2012 Schefers D26/68
D670,017 S * 10/2012 Tortel D26/135
D728,841 S * 5/2015 Kuhnke D26/67
D777,363 S * 1/2017 Galipeau D26/68

* cited by examiner

Primary Examiner — Clare E Hefflin

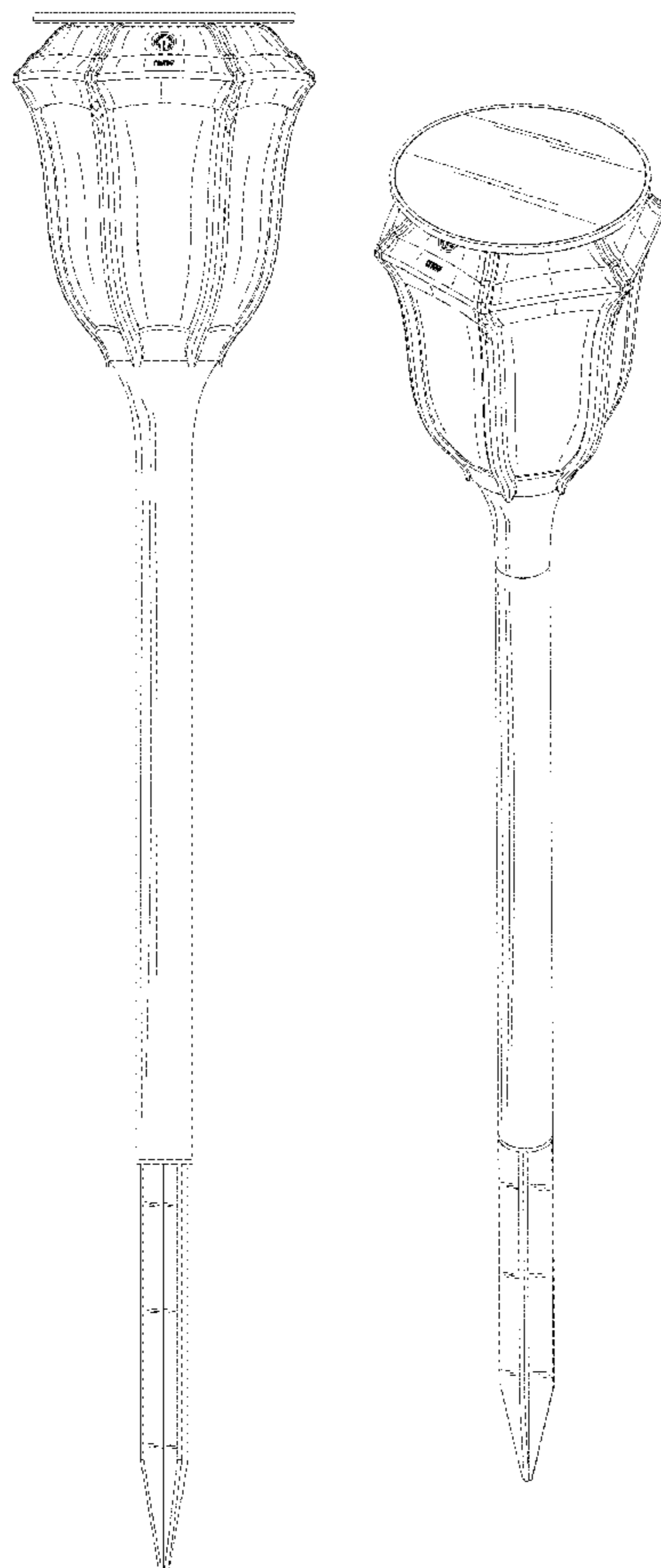
(57) **CLAIM**

The ornamental design for a torch landscape light, as shown.

DESCRIPTION

FIG. 1 is a front elevational view of a torch landscape light showing my new design;
FIG. 2 is a rear elevational view thereof;
FIG. 3 is a left side view thereof;
FIG. 4 is a right side view thereof;
FIG. 5 is a top plan view thereof;
FIG. 6 is a bottom plan view thereof; and,
FIG. 7 is a perspective view thereof.

1 Claim, 4 Drawing Sheets



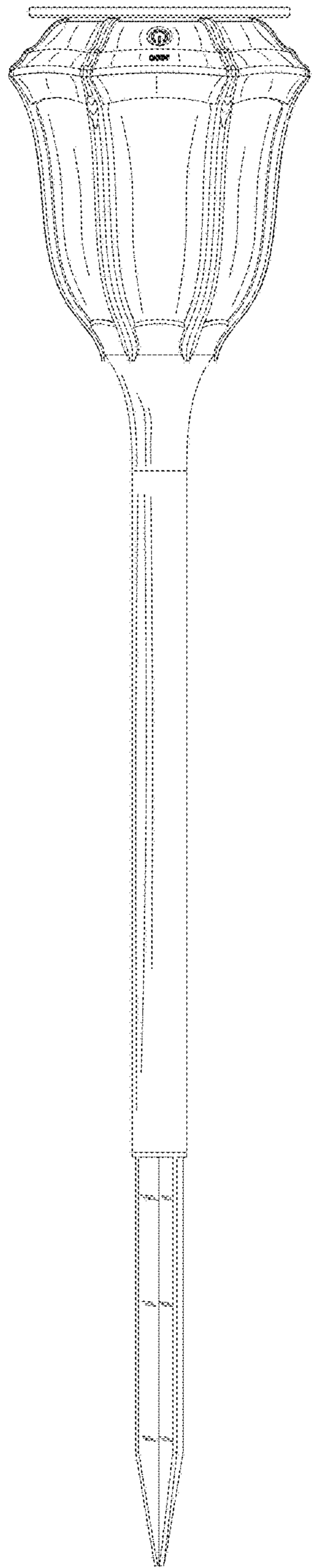


FIG. 1

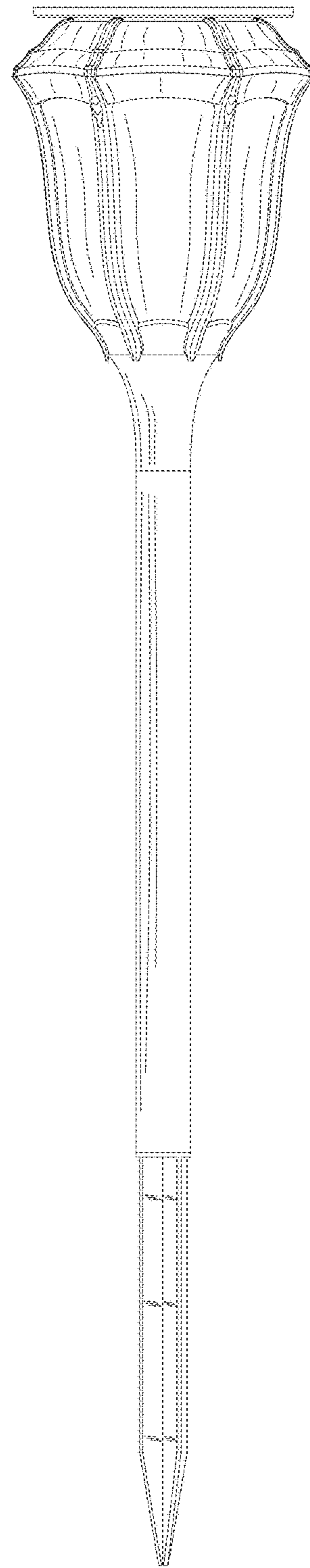


FIG. 2

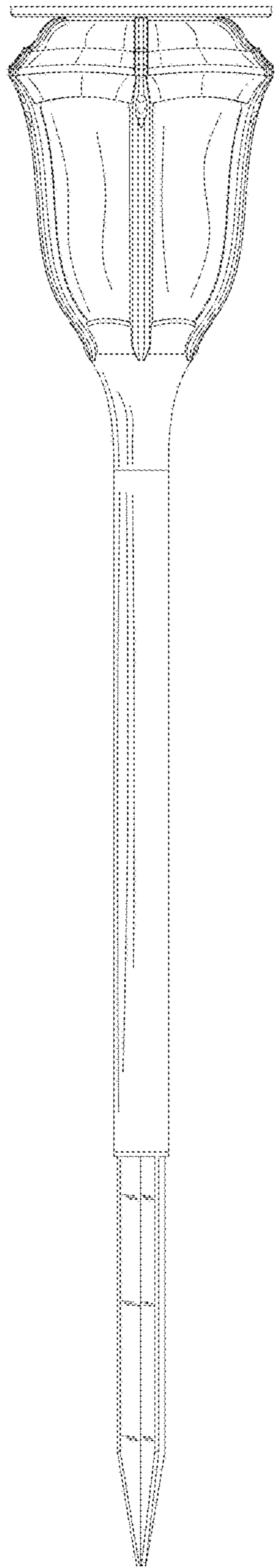


FIG. 3

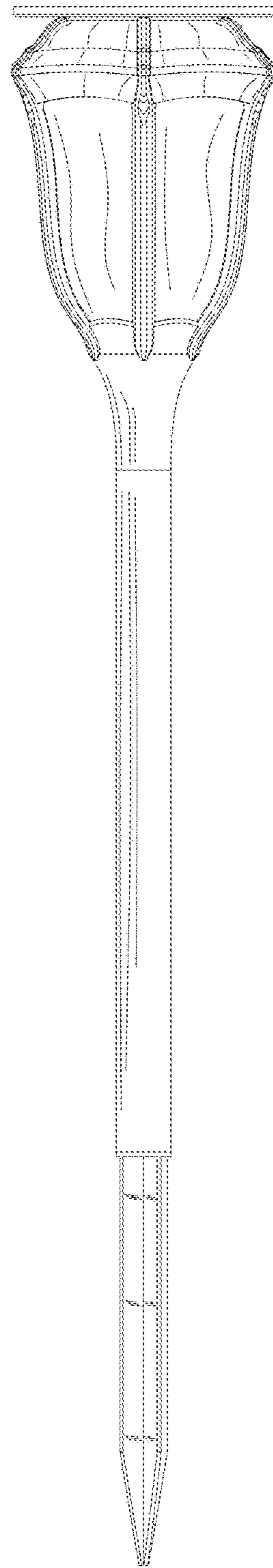


FIG. 4

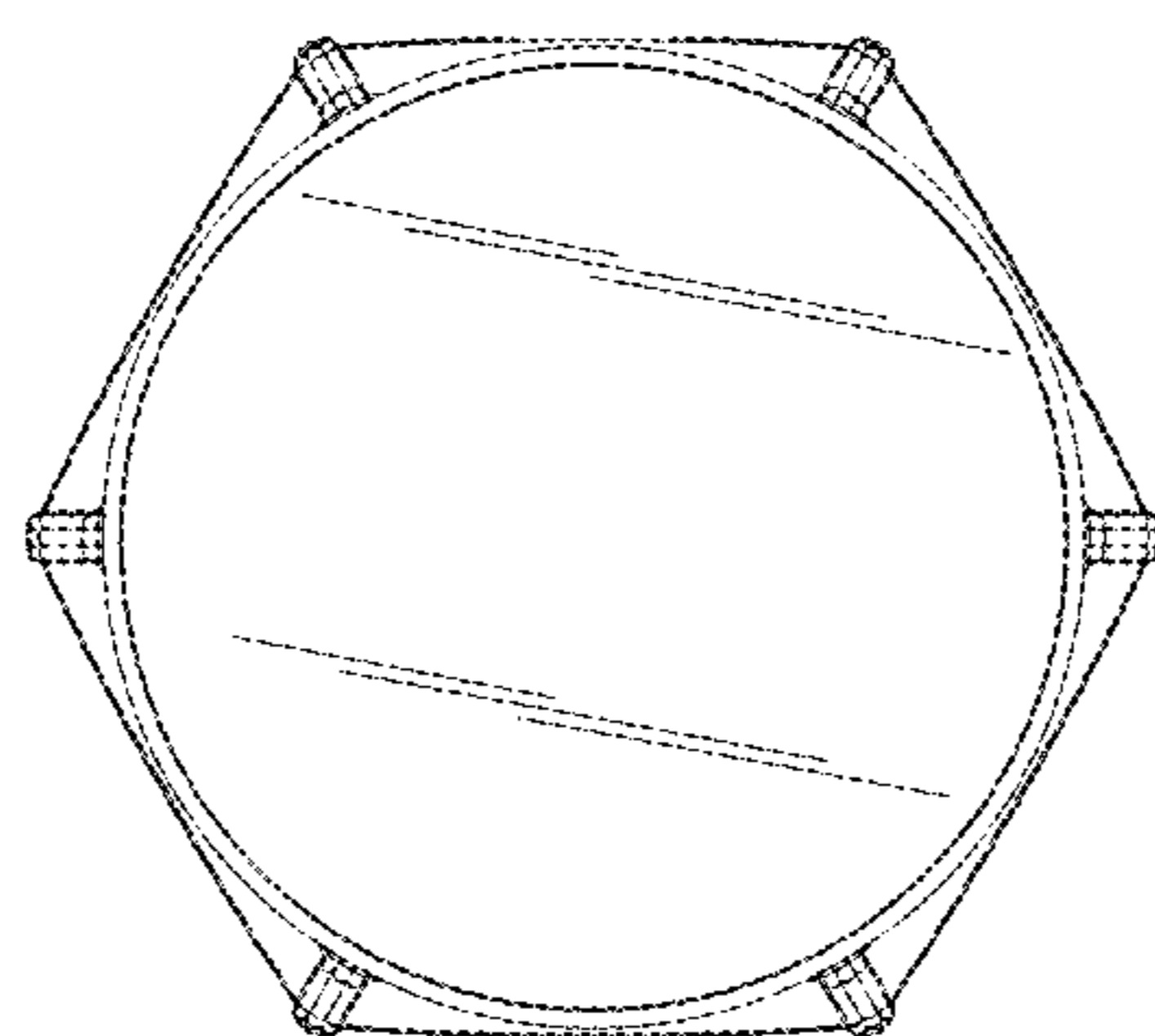


FIG. 5

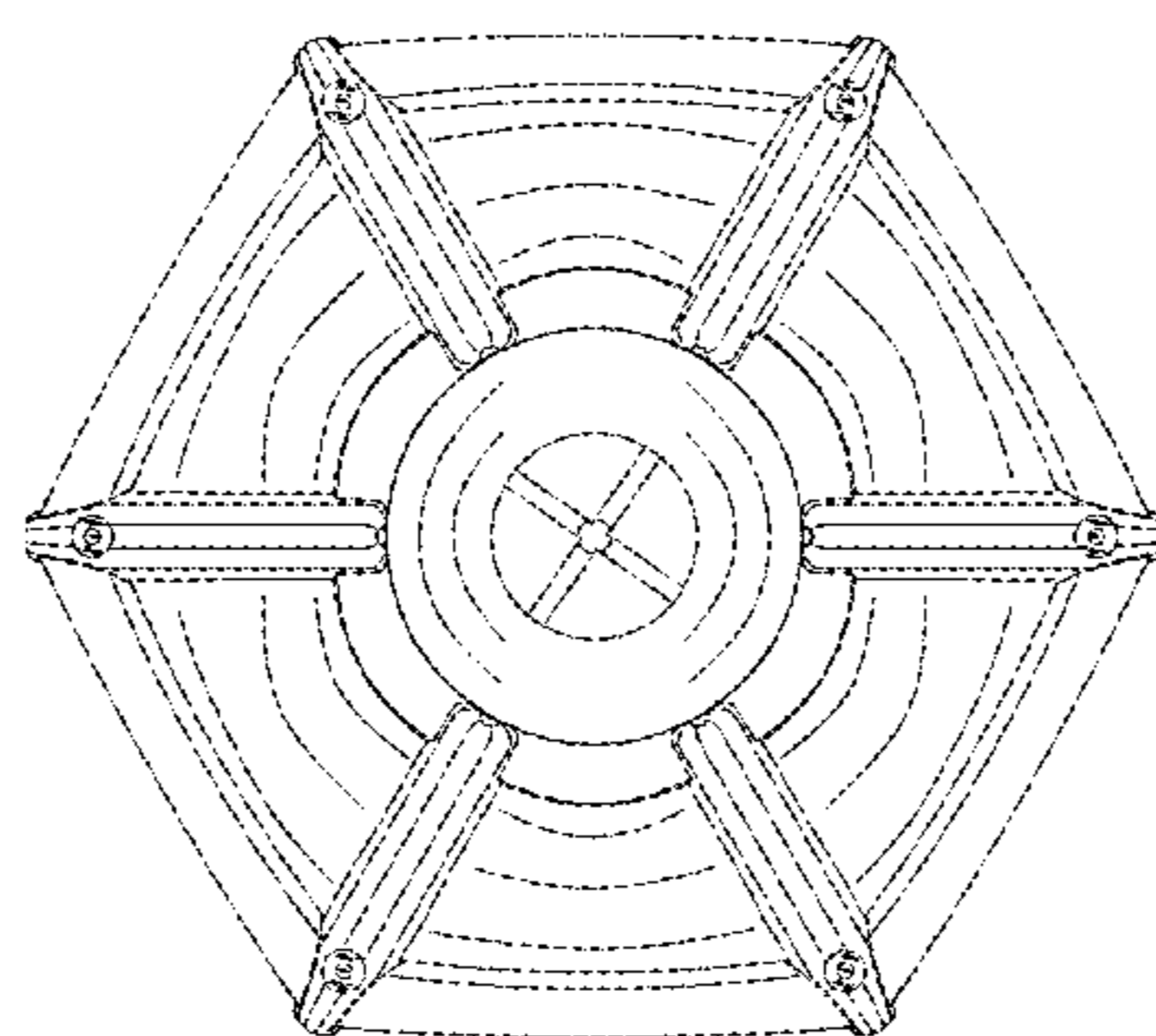


FIG. 6

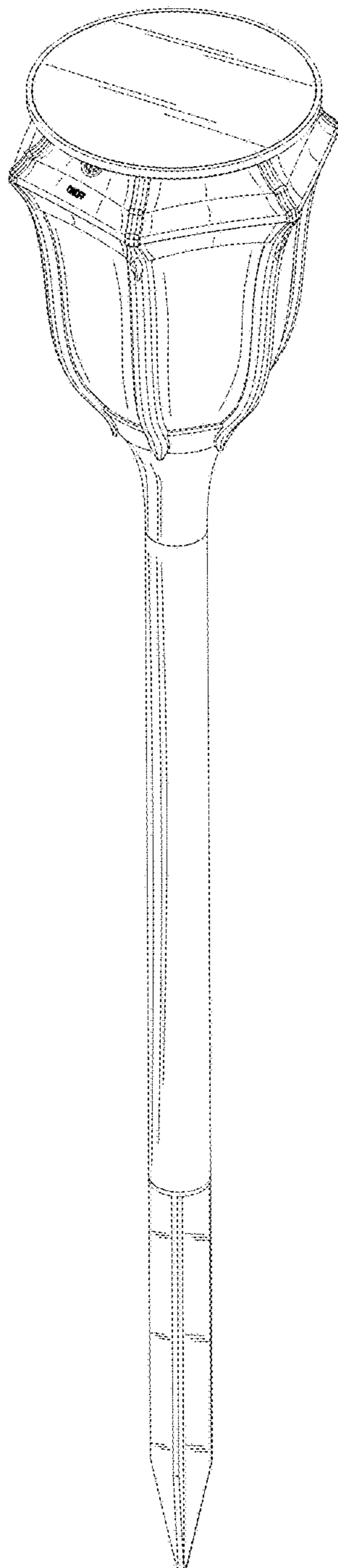


FIG. 7