



US00D827897S

(12) **United States Design Patent** (10) **Patent No.:** **US D827,897 S**
Yang (45) **Date of Patent:** **** Sep. 4, 2018**

(54) **LASER LIGHT**

(71) Applicant: **Ruishi Yang**, Shenzhen (CN)

(72) Inventor: **Ruishi Yang**, Shenzhen (CN)

(**) Term: **15 Years**

(21) Appl. No.: **29/604,879**

(22) Filed: **May 22, 2017**

(51) **LOC (11) Cl.** **26-05**

(52) **U.S. Cl.**
USPC **D26/63; D26/67**

(58) **Field of Classification Search**
USPC D10/111-115; D26/7, 8, 10, 11, 12, 14,
D26/19, 60, 61, 63-69, 71, 92, 93
CPC F21S 8/081; F21S 8/08; F21S 6/00
See application file for complete search history.

(56) **References Cited**

U.S. PATENT DOCUMENTS

D205,082 S *	6/1966	Morgan	D26/63
D207,549 S *	5/1967	Bodian	D26/24
D234,712 S *	4/1975	Kennedy	D26/63
D574,988 S *	8/2008	Cheng	D26/63
D649,671 S *	11/2011	Ferro	D26/63
D745,202 S *	12/2015	Guercio	D26/63
D777,965 S *	1/2017	Mirchandani	D26/63
D778,478 S *	2/2017	Khubani	D26/63
D790,100 S *	6/2017	Jadhav	D26/63
D798,484 S *	9/2017	Lentine	D26/63
D799,730 S *	10/2017	Jadhav	D26/63

OTHER PUBLICATIONS

Ibyone Christmas Laser Lights (available online) Retrieved from the internet Apr. 9, 2018 from URL: /www.walmart.com/ip/1byone-

Christmas-Laser-Lights-Waterproof-Laser-Light-with-10-Lighting-Modes-for-Holiday-Parties-and-Garden-Decoration/656245977.*
LaserXplore Laser Christmas Lights (available online) Retrieved from the internet Apr. 10, 2018 from URL: https://www.walmart.com/ip/LaserXplore-Laser-Christmas-Lights-Red-Green-Star-Projector-Moving-Star-Laser-7-Lighting-Modes-Christmas-Holiday-Parties-Landscape-Garden-Decoration/209633058.*
Gemmy Light show projection (available online Dec. 12, 2015) Retrieved from the internet Apr. 10, 2018 from URL: https://www.amazon.com/Gemmy-37297-Lightshow-Projection-Snow-Flurry/dp/B017HUMG9I.*
Star Night Laser Dancers (available online) Retrieved from the internet Apr. 10, 2018 from URL: https://www.asseenontvwebstore.com/star-night-laser-p/star-night-dancer.htm.*

* cited by examiner

Primary Examiner — Kevin K Rudzinski
Assistant Examiner — Richard Kearney
(74) *Attorney, Agent, or Firm* — Muncy, Geissler, Olds & Lowe, P.C.

(57) **CLAIM**

The ornamental design for a laser light, as shown and described.

DESCRIPTION

FIG. 1 is a top, right, left side perspective view of a laser light showing my new design
FIG. 2 is a top, front, left perspective view thereof;
FIG. 3 is a top, rear, left perspective view thereof;
FIG. 4 is a front elevational view thereof;
FIG. 5 is a rear elevational view thereof;
FIG. 6 is a right side view thereof;
FIG. 7 is a left side view thereof; and,
FIG. 8 is a top plan view thereof.

1 Claim, 8 Drawing Sheets

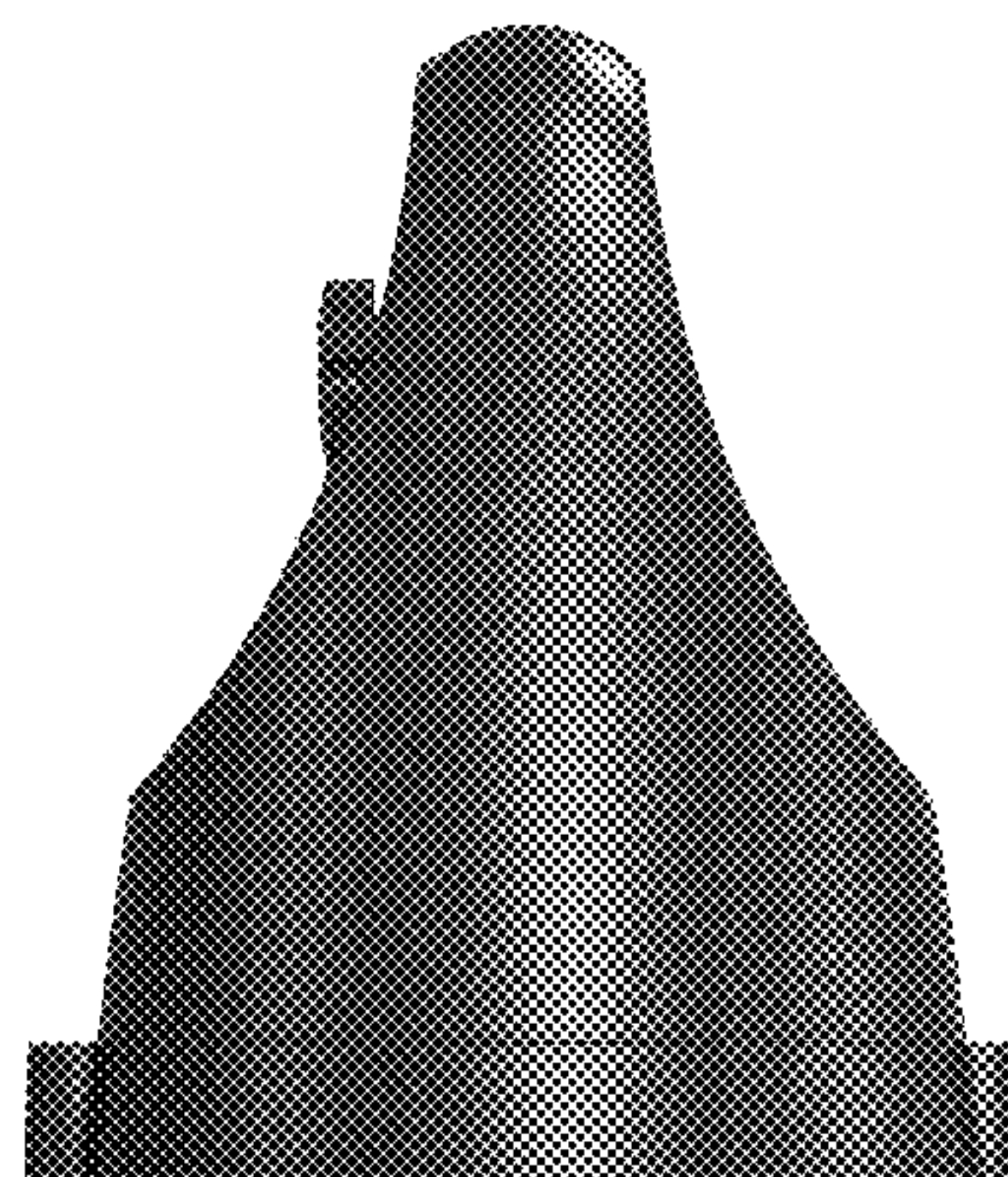




FIG. 1



FIG. 2



FIG. 3

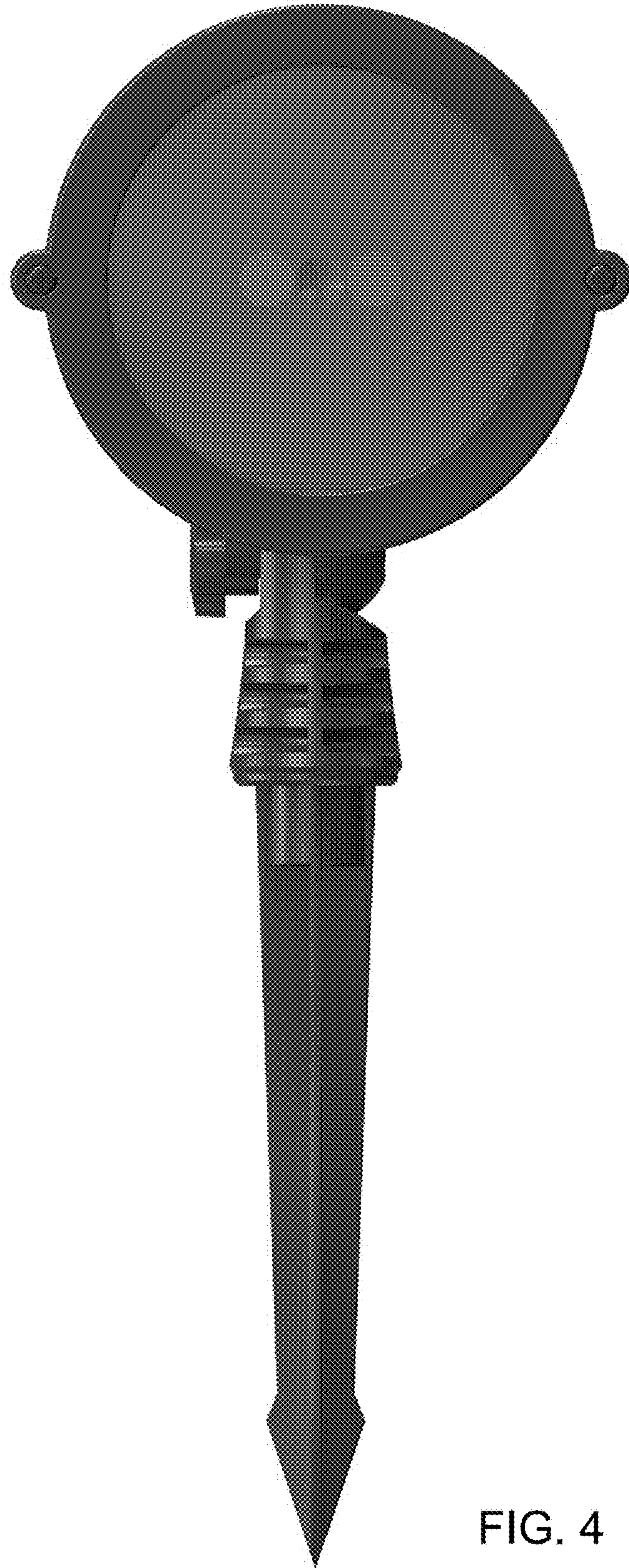


FIG. 4

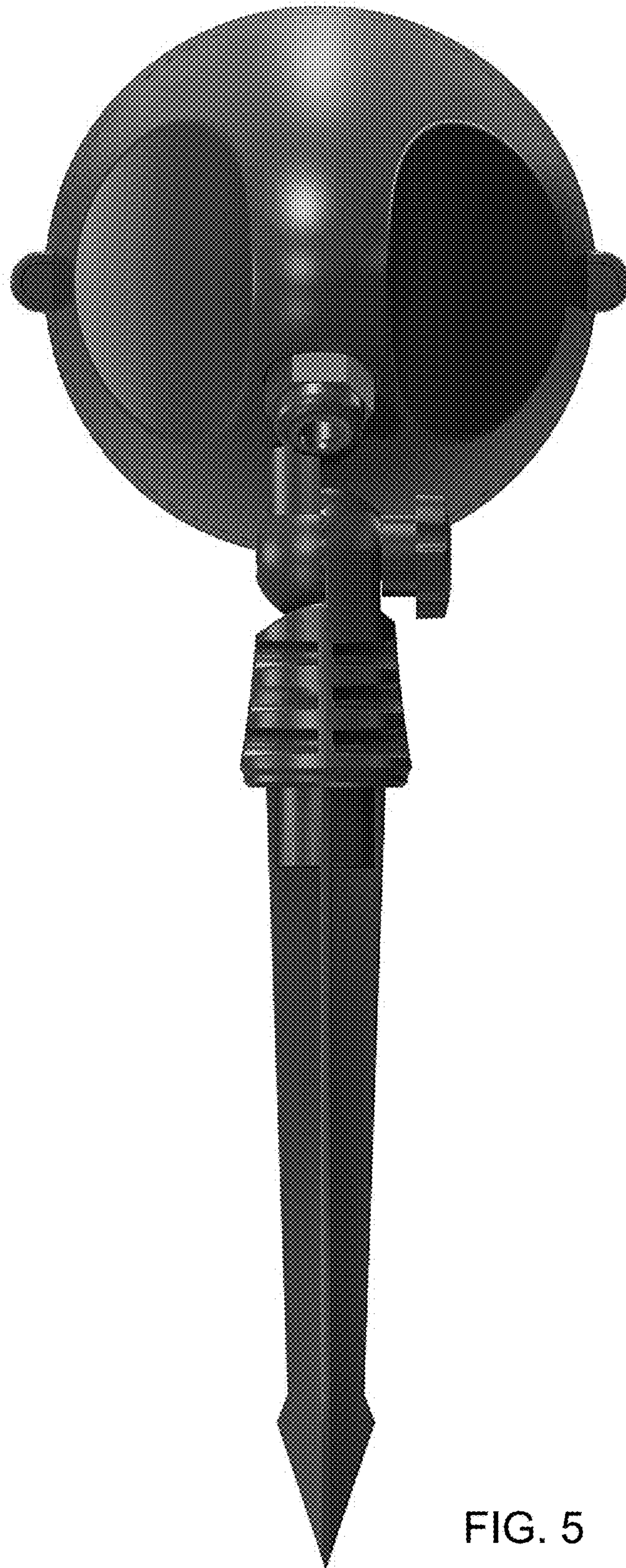


FIG. 5



FIG. 6

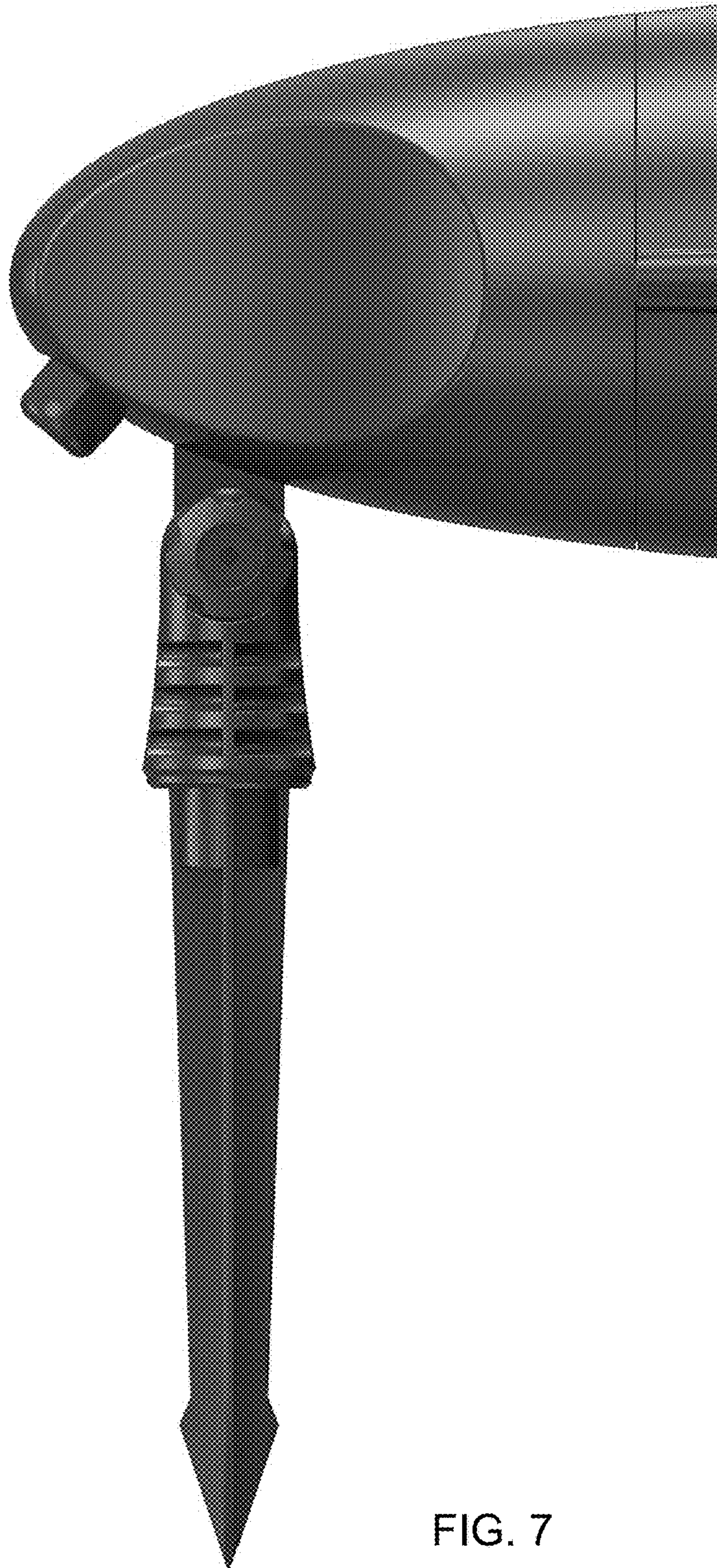


FIG. 7



FIG. 8