



US00D827896S

(12) **United States Design Patent** (10) **Patent No.:** **US D827,896 S**
Yang (45) **Date of Patent:** **** Sep. 4, 2018**

(54) **LASER LIGHT**

(71) Applicant: **Ruishi Yang**, Shenzhen (CN)

(72) Inventor: **Ruishi Yang**, Shenzhen (CN)

(**) Term: **15 Years**

(21) Appl. No.: **29/604,875**

(22) Filed: **May 22, 2017**

(51) **LOC (11) Cl.** **26-05**

(52) **U.S. Cl.**
USPC **D26/63; D26/67**

(58) **Field of Classification Search**
USPC D10/111-115; D26/7, 8, 10, 11, 12, 14,
D26/19, 60, 61, 63-69, 71, 92, 93
CPC F21S 8/081; F21S 8/08; F21S 6/00
See application file for complete search history.

(56) **References Cited**

U.S. PATENT DOCUMENTS

D157,801 S *	3/1950	Stone	D26/138
2,511,937 A *	6/1950	Natale	F21V 31/00
				220/2.1 A
D207,866 S *	6/1967	de Vos	D26/63
D263,000 S *	2/1982	Heritage	D26/131
D272,659 S *	2/1984	Medley	D13/134
D278,215 S *	4/1985	Patterson	D10/106.6
D361,148 S *	8/1995	Wedell	D26/63
D389,935 S *	1/1998	Pink	D26/63
D574,532 S *	8/2008	Lee	D26/63
D764,694 S *	8/2016	Tsai	D26/63
D771,297 S *	11/2016	Kim	D26/63
D777,965 S *	1/2017	Mirchandani	D26/63
D797,975 S *	9/2017	Lentine	D26/63

OTHER PUBLICATIONS

Ibyone Christmas Laser Lights (available online) Retrieved from the internet Apr. 9, 2018 from URL: <https://www.walmart.com/ip/>

Ibyone-Christmas-Laser-Lights-Waterproof-Laser-Light-with-10-Lighting-Modes-for-Holiday-Parties-and-Garden-Decoration/656245977.*
Gemmy Light show projection (available online Dec. 12, 2015) Retrieved from the internet Apr. 10, 2018 from URL: <https://www.amazon.com/Gemmy-37297-Lightshow-Projection-Snow-Flurry/dp/B017HUMG9I>.*
Star Night Laser Dancers (available online) Retrieved from the internet Apr. 10, 2018 from URL: <https://www.asseenontvwebstore.com/star-night-laser-p/star-night-dancer.htm>.*
LaserXplore Laser Christmas Lights (available online) Retrieved from the internet Apr. 10, 2018 from URL: <https://www.walmart.com/ip/LaserXplore-Laser-Christmas-Lights-Red-Green-Star-Projector-Moving-Star-Laser-7-Lighting-Modes-Christmas-Holiday-Parties-Landscape-Garden-Decoration/209633058>.*

* cited by examiner

Primary Examiner — Kevin K Rudzinski
Assistant Examiner — Richard Kearney
(74) *Attorney, Agent, or Firm* — Muncy, Geissler, Olds & Lowe, P.C.

(57) **CLAIM**

The ornamental design for a laser light, as shown and described.

DESCRIPTION

FIG. 1 is a top, right, left side perspective view of a laser light showing my new design
FIG. 2 is a top, front, left perspective view thereof;
FIG. 3 is a top, rear, left perspective view thereof;
FIG. 4 is a front elevational view thereof;
FIG. 5 is a rear elevational view thereof;
FIG. 6 is a right side view thereof;
FIG. 7 is a left side view thereof; and,
FIG. 8 is a top plan view thereof.

1 Claim, 8 Drawing Sheets

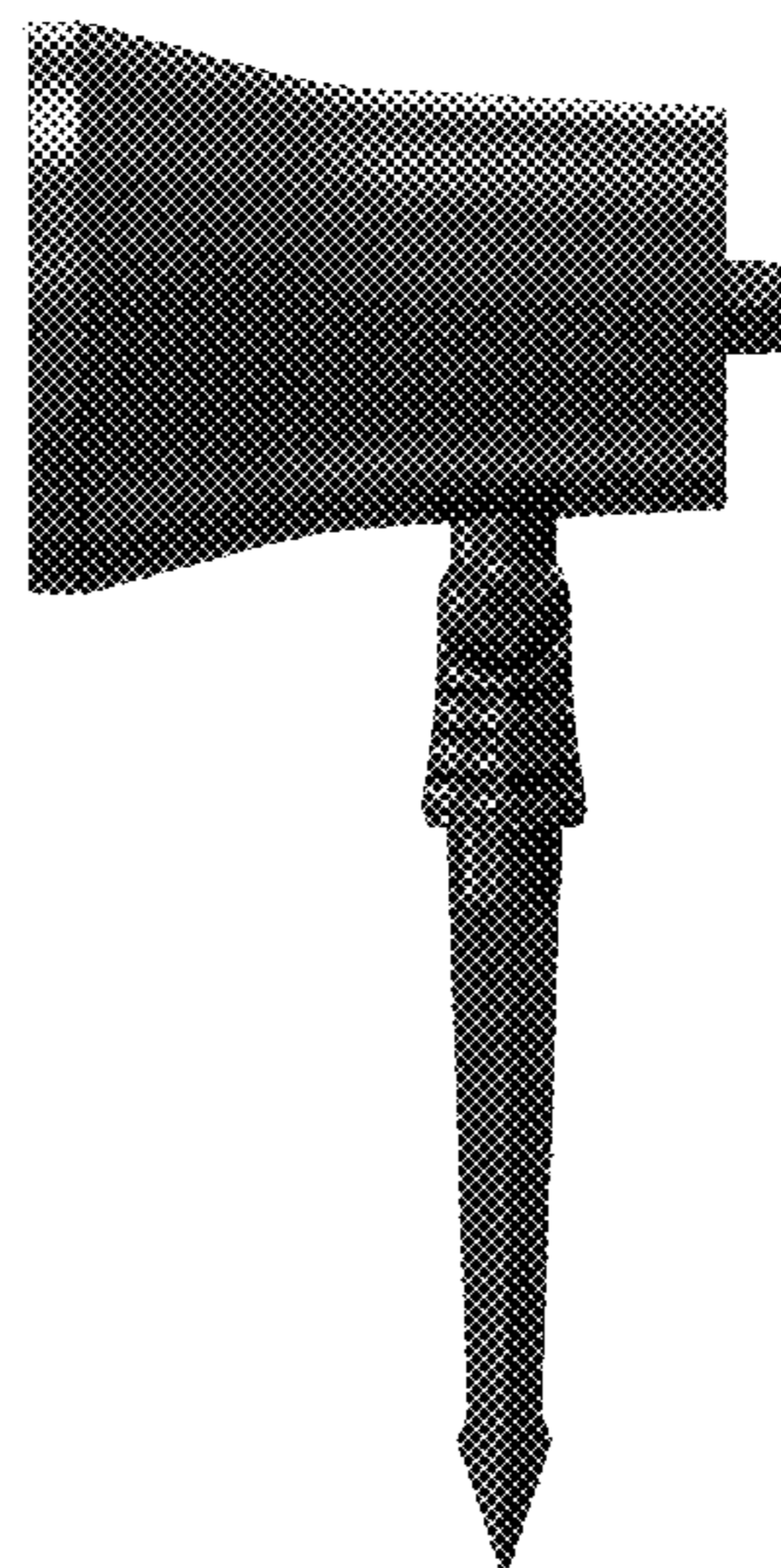




FIG. 1



FIG. 2



FIG. 3



FIG. 4

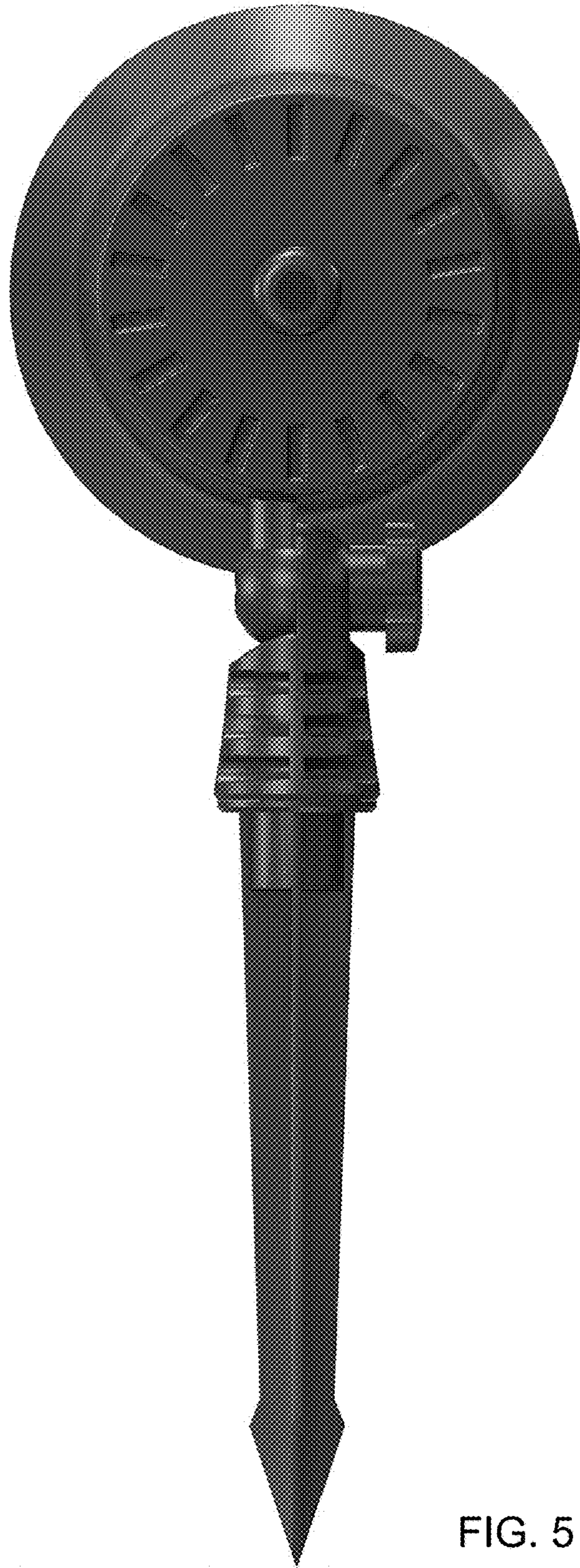


FIG. 5



FIG. 6



FIG. 7



FIG. 8