



US00D827894S

(12) **United States Design Patent**
Huang

(10) **Patent No.:** **US D827,894 S**

(45) **Date of Patent:** **** Sep. 4, 2018**

(54) **LIGHTING DEVICE**

(71) Applicant: **Yu-Ting Huang**, Taichung (TW)

(72) Inventor: **Yu-Ting Huang**, Taichung (TW)

(**) Term: **15 Years**

(21) Appl. No.: **29/604,843**

(22) Filed: **May 22, 2017**

(51) **LOC (11) Cl.** **26-02**

(52) **U.S. Cl.**
USPC **D26/49**

(58) **Field of Classification Search**
USPC D26/37-51
See application file for complete search history.

(56) **References Cited**

U.S. PATENT DOCUMENTS

D417,022 S *	11/1999	Chiu	D26/49
D465,045 S *	10/2002	Yamamoto	D26/49
D601,736 S *	10/2009	Swan	D26/49
D629,543 S *	12/2010	Deguglimo	D26/49
D647,232 S *	10/2011	Liu	D26/49
D678,572 S *	3/2013	Zhang	D26/49
D706,475 S *	6/2014	Lee	D26/49

D706,476 S *	6/2014	Lee	D26/49
D799,087 S *	10/2017	Koshiba	D26/49
D802,192 S *	11/2017	Windom	D26/49

* cited by examiner

Primary Examiner — Lakiya G Rogers

Assistant Examiner — Carissa C Fitts

(74) *Attorney, Agent, or Firm* — Aslan Law, P.C.

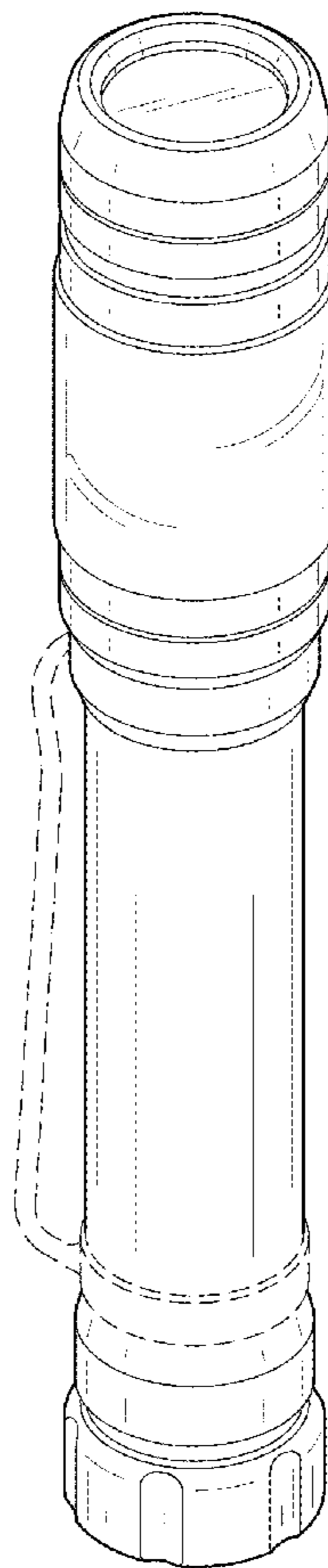
(57) **CLAIM**

The ornamental design for a lighting device, as shown and described.

DESCRIPTION

FIG. 1 is a perspective view of a lighting device showing my new design;
 FIG. 2 is a front elevational view thereof;
 FIG. 3 is a rear elevational view thereof;
 FIG. 4 is a left side elevational view thereof;
 FIG. 5 is a right side elevational view thereof;
 FIG. 6 is a top plan view thereof;
 FIG. 7 is a bottom plan view thereof; and,
 FIG. 8 is another perspective view thereof.
 The broken lines shown represent unclaimed subject matter and form no part of the claimed design.

1 Claim, 7 Drawing Sheets



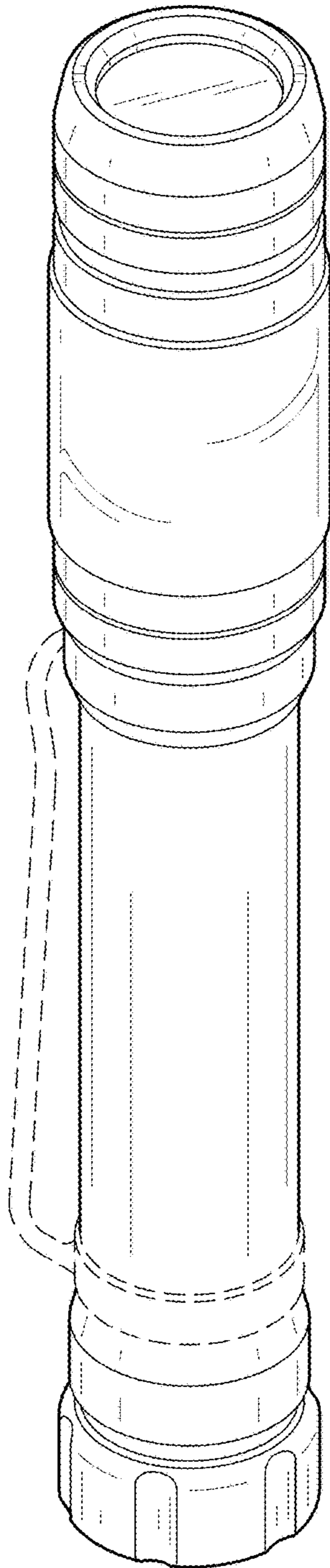


FIG. 1

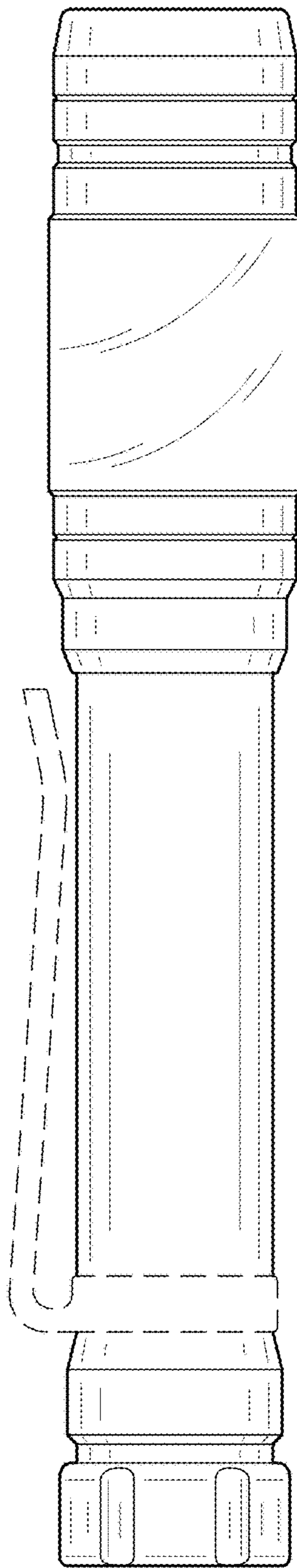


FIG. 2

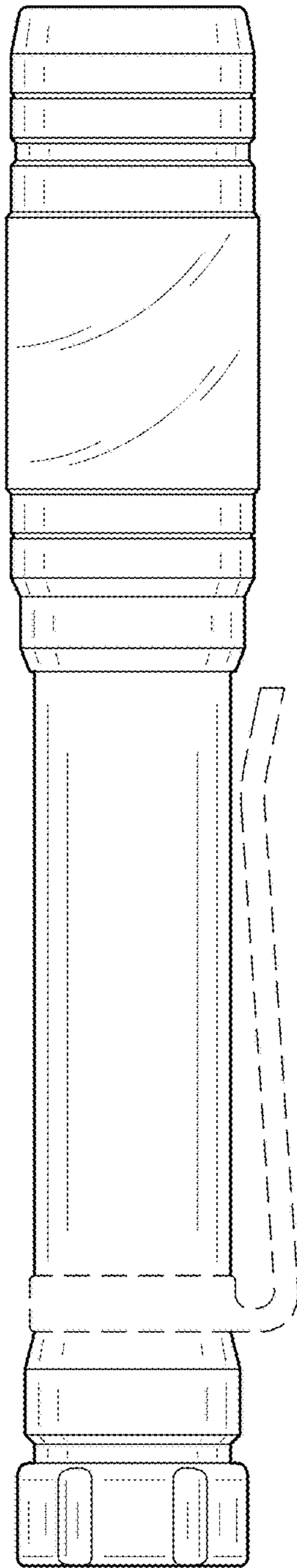


FIG. 3

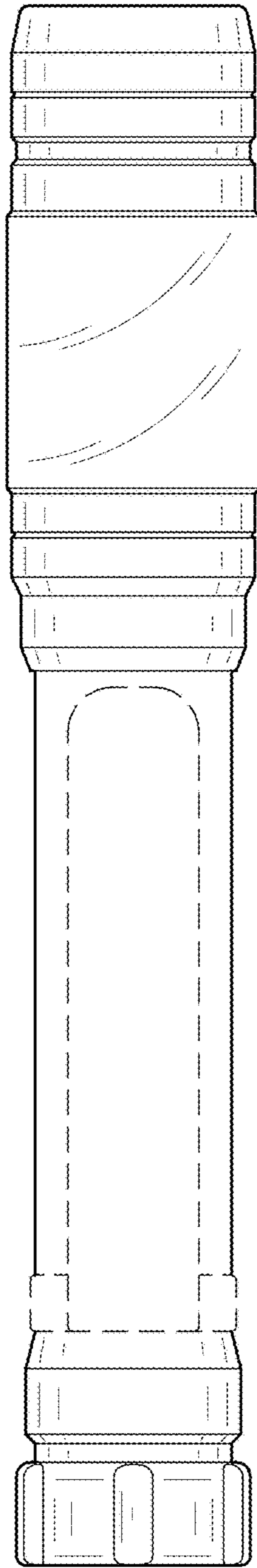


FIG. 4

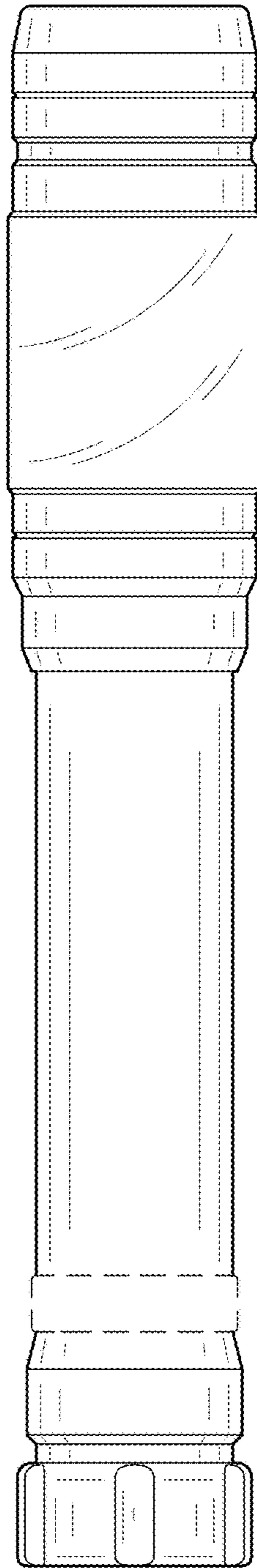


FIG. 5

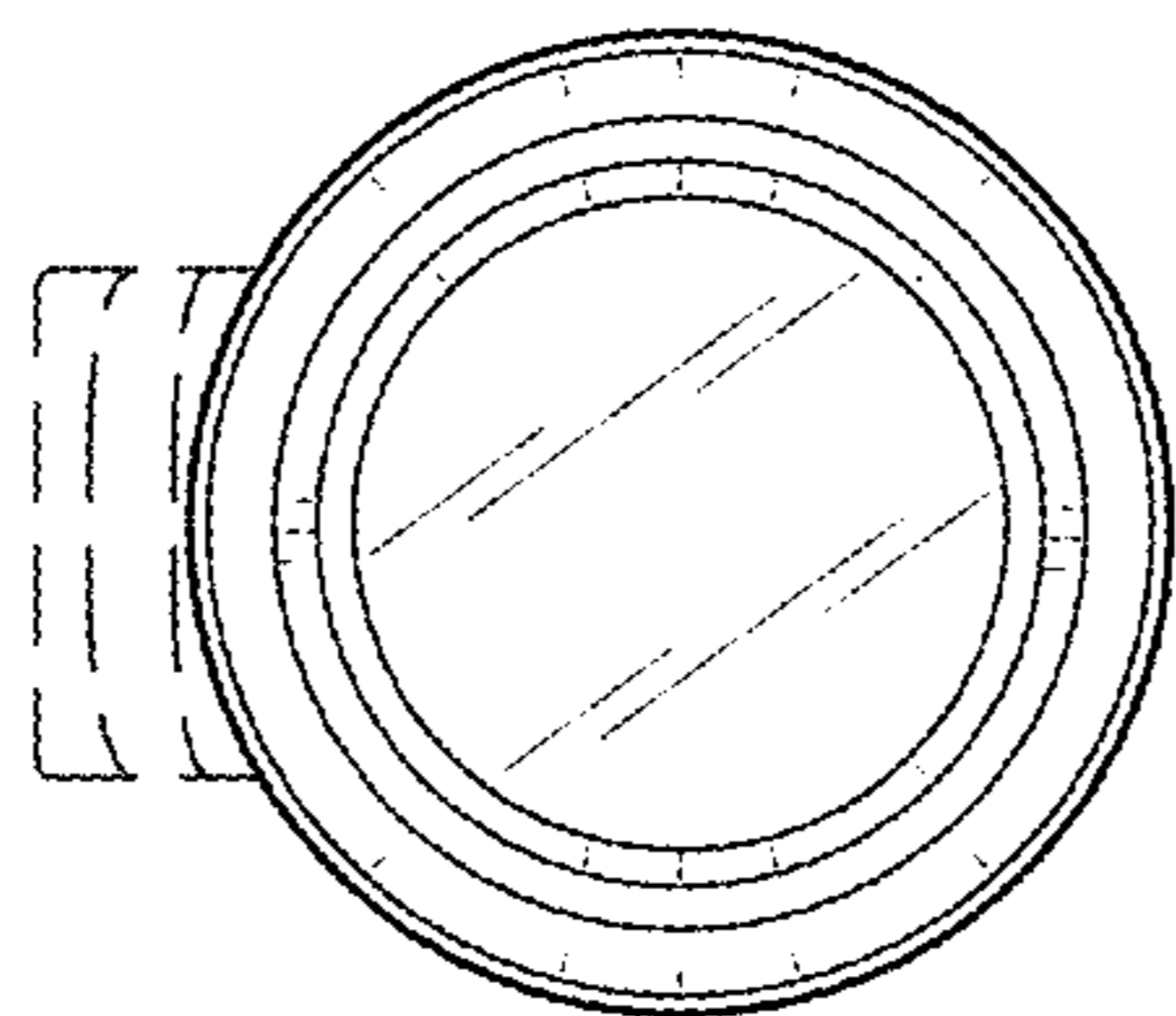


FIG. 6

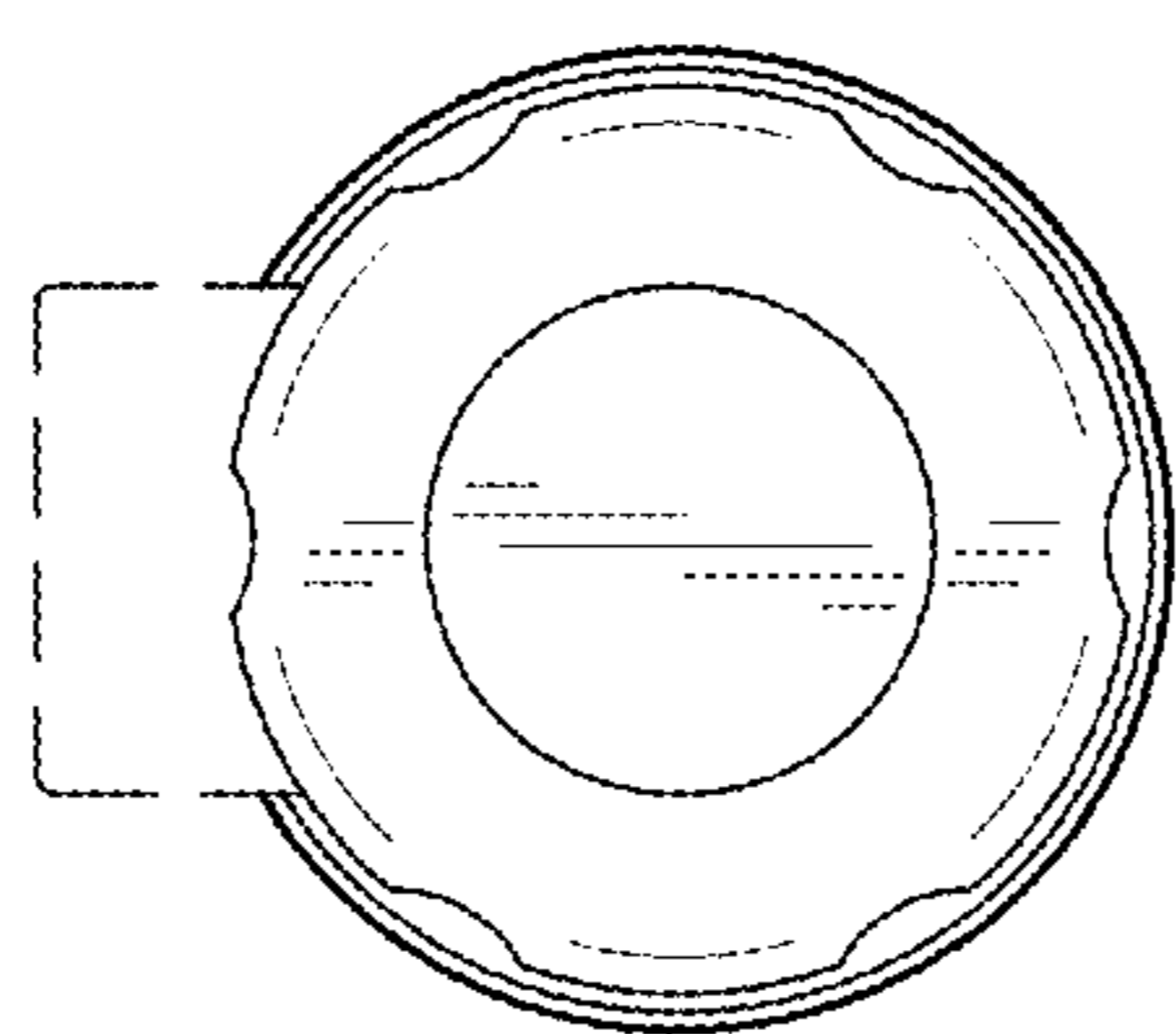


FIG. 7

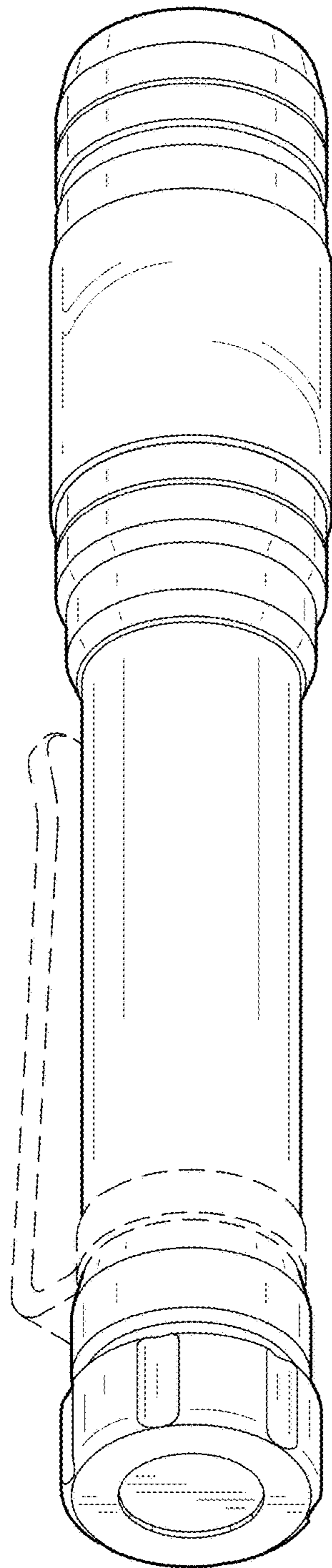


FIG. 8