



US00D827893S

(12) **United States Design Patent**
Kunzendorf

(10) **Patent No.:** **US D827,893 S**

(45) **Date of Patent:** **** Sep. 4, 2018**

(54) **FLASHLIGHT**

(71) Applicant: **LED Lenser Corp. Ltd., Yangjiang (CN)**

(72) Inventor: **Andre Kunzendorf, Wuppertal (DE)**

(73) Assignee: **LED LENSER CORP, LTD., Yangjiang (CN)**

(**) Term: **15 Years**

(21) Appl. No.: **29/569,272**

(22) Filed: **Jun. 24, 2016**

(51) **LOC (11) Cl.** **26-02**

(52) **U.S. Cl.**
USPC **D26/49**

(58) **Field of Classification Search**
USPC D26/37, 36, 46, 48, 49; 359/399, 406;
D16/217, 317, 134; D27/141-143,
D27/152-153
CPC F12V 15/012; F12V 15/013
See application file for complete search history.

(56) **References Cited**

U.S. PATENT DOCUMENTS

536,759	A *	4/1895	Potter	F21L 4/00 313/315
D114,210	S *	4/1939	Florman	206/38
3,351,408	A *	11/1967	Krewalk	G02B 23/16 359/355
D223,997	S *	6/1972	Hanamura	D9/503
D233,780	S *	11/1974	Stone	D26/46
D247,925	S *	5/1978	Little, Jr.	D26/48
D282,749	S *	2/1986	Owen, III	D16/238
D293,482	S *	12/1987	Geissler	D26/40
D300,606	S *	4/1989	Schwabel	D9/500
D328,753	S *	8/1992	Surber	D16/132
D336,965	S *	6/1993	Yau	D26/49
D375,050	S *	10/1996	Chahed	D9/553

D417,020	S *	11/1999	Petruzzi	D26/38
D417,022	S *	11/1999	Chiu	D26/49
D417,680	S *	12/1999	Diebel	D16/132
D440,997	S *	4/2001	Watanabe	D16/134
D458,143	S *	6/2002	Ackerman	D9/517
D471,796	S *	3/2003	de Baschmakoff	D9/692
D476,224	S *	6/2003	de Baschmakoff	D9/692
D505,506	S *	5/2005	Kolflat	D26/37
D515,719	S *	2/2006	Shiu	D26/37
D523,981	S *	6/2006	Galli	D26/37
D528,236	S *	9/2006	Strom	D26/37
D548,861	S *	8/2007	Chapman	D26/37
D552,001	S *	10/2007	Fornt	D10/111
D562,862	S *	2/2008	Yasutomi	D16/134
D562,863	S *	2/2008	Yasutomi	D16/134
D562,864	S *	2/2008	Yasutomi	D16/134
D562,865	S *	2/2008	Yasutomi	D16/134
D563,007	S *	2/2008	Opolka	D26/49

(Continued)

Primary Examiner — Lakiya G Rogers

Assistant Examiner — Altaira J Swangin

(74) *Attorney, Agent, or Firm* — Alston & Bird LLP

(57) **CLAIM**

The ornamental design for a flashlight, as shown and described.

DESCRIPTION

FIG. 1 is a perspective view of a flashlight according to my new design;

FIG. 2 is an exploded perspective view thereof;

FIG. 3 is a front elevation view thereof;

FIG. 4 is a back elevation view thereof;

FIG. 5 is a right side elevation view thereof;

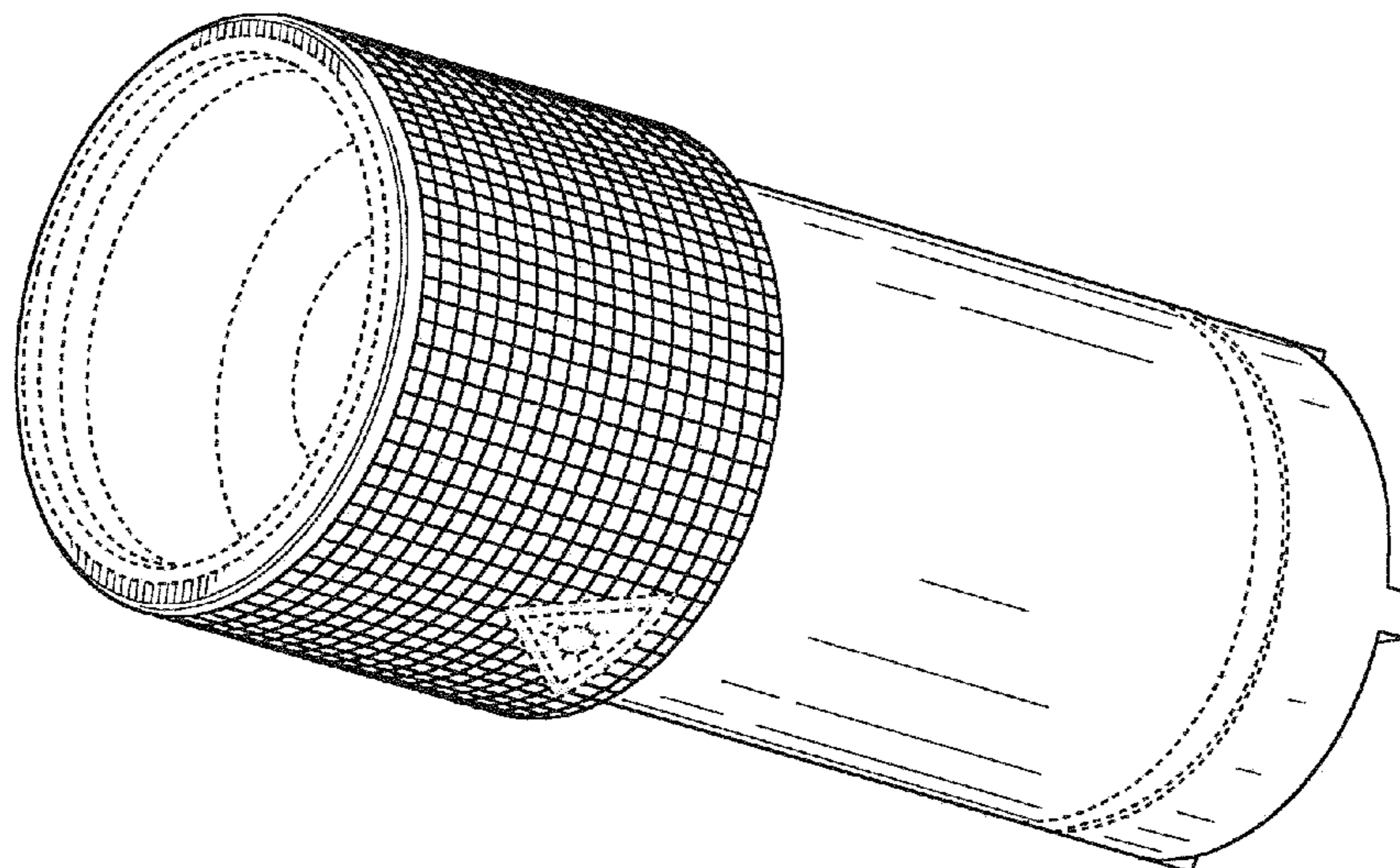
FIG. 6 is a left side elevation view thereof;

FIG. 7 is a top elevation view thereof; and,

FIG. 8 is a bottom plan view thereof.

The dash-dash broken lines showing in the views illustrate portions of the flashlight that form no part of the claimed design.

1 Claim, 8 Drawing Sheets



(56)

References Cited

U.S. PATENT DOCUMENTS

D571,386	S *	6/2008	Lipsiner	D16/131
D572,394	S *	7/2008	Dalton	D26/37
D573,167	S *	7/2008	Kitera	D16/134
D636,512	S *	4/2011	Heath	D26/49
D661,006	S *	5/2012	Hwang	D26/49
D679,774	S *	4/2013	Burzel	D22/108
D687,916	S *	8/2013	Burzel	D22/109
D706,475	S *	6/2014	Lee	D26/49
D706,969	S *	6/2014	Casciotti	D26/49
D716,982	S *	11/2014	Corey	D26/49
D732,097	S *	6/2015	Imamizu	D16/132
D736,847	S *	8/2015	Kobayashi	D16/134
D744,681	S *	12/2015	Breen	D26/49
D750,689	S *	3/2016	Oh	D16/134
D756,441	S *	5/2016	Kobayashi	D16/134
D759,299	S *	6/2016	Almsberger	D27/154
D770,677	S *	11/2016	Van Keppel	D27/141
D791,852	S *	7/2017	Harding	D16/132
D811,652	S *	2/2018	Liu	D27/167
2006/0034072	A1 *	2/2006	Shih	F21L 4/027 362/157
2009/0067166	A1 *	3/2009	Ford	F21L 4/027 362/208
2009/0116231	A1 *	5/2009	Miller	F21L 4/027 362/208

* cited by examiner

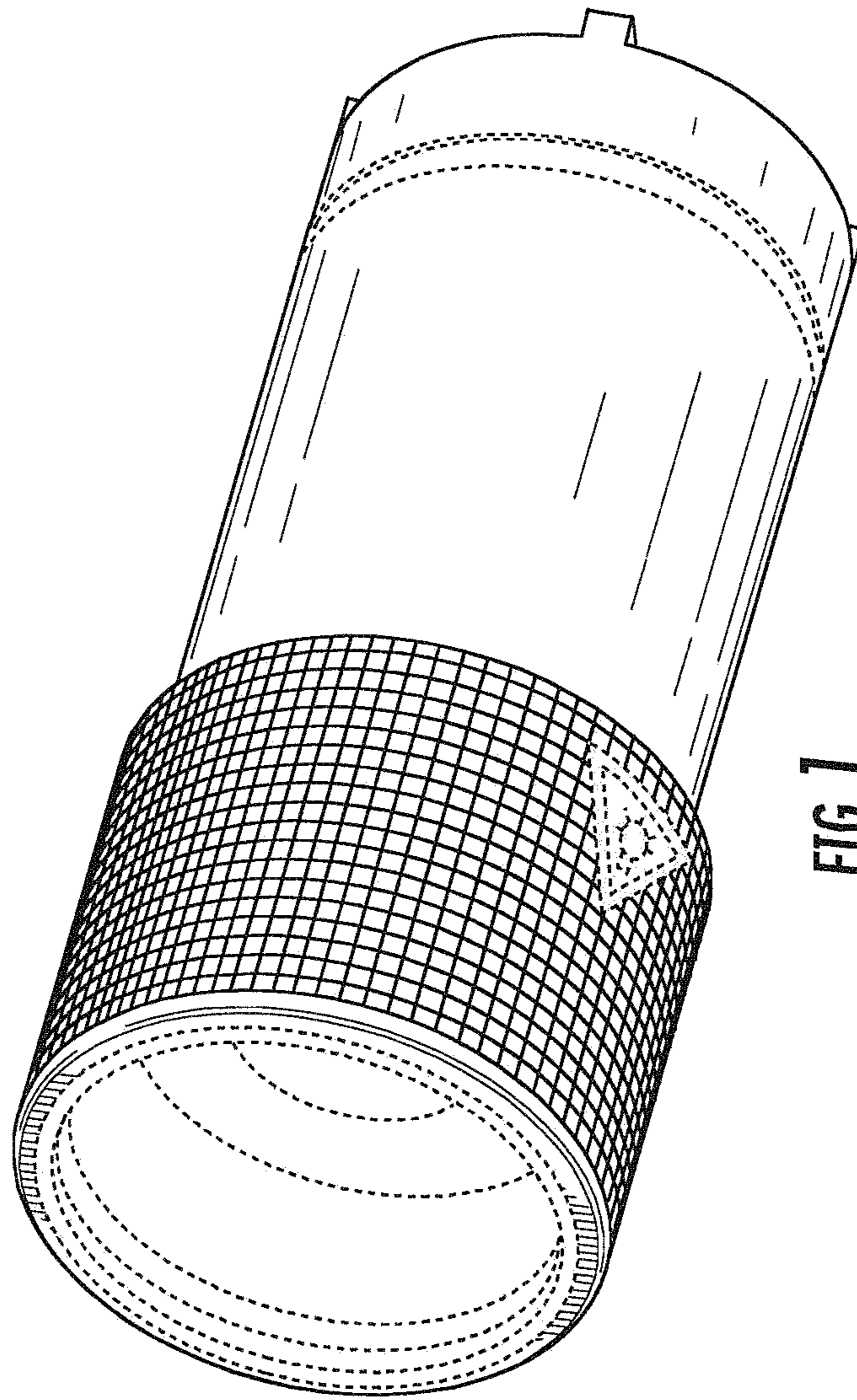


FIG. 1

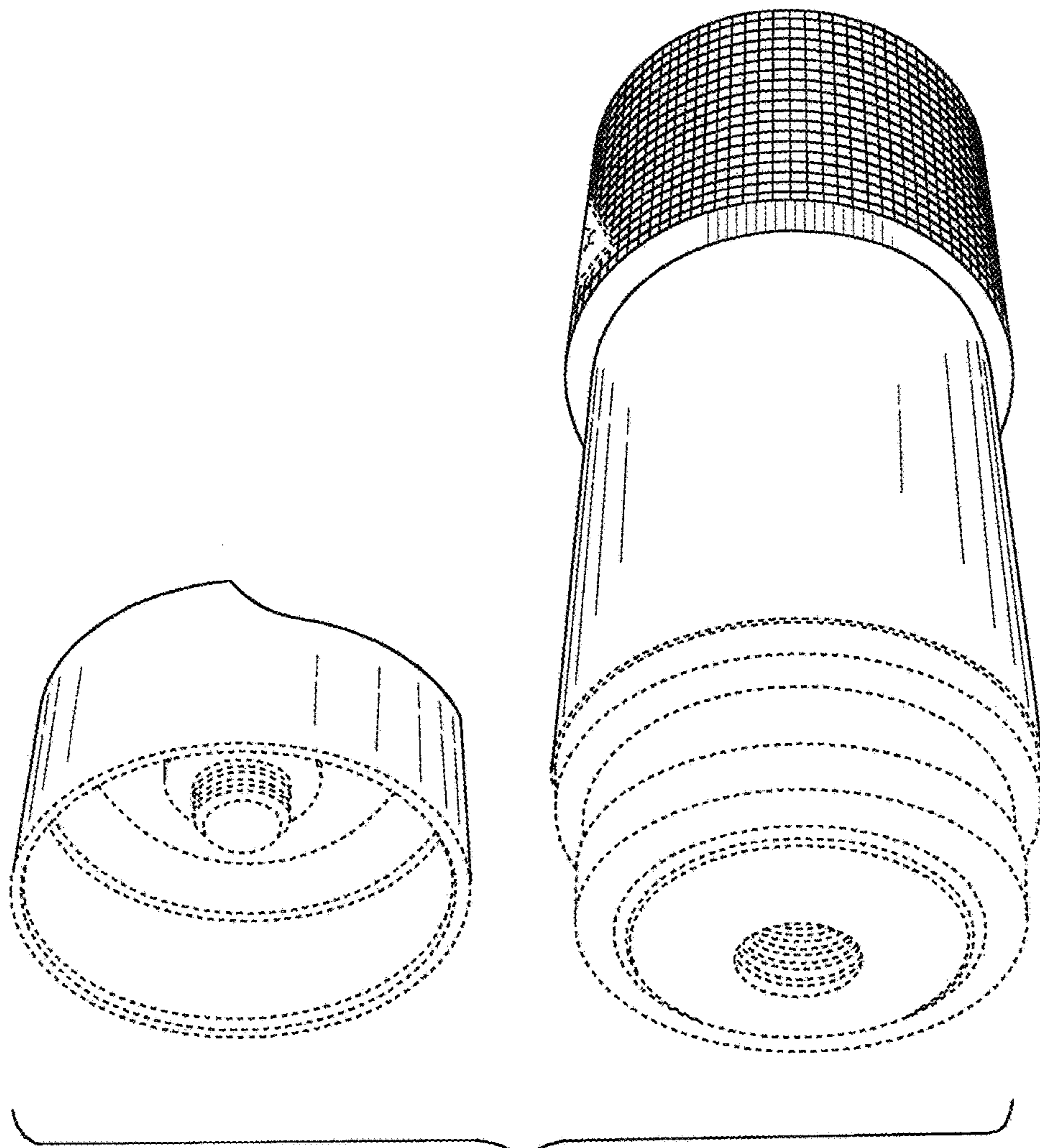


FIG. 2

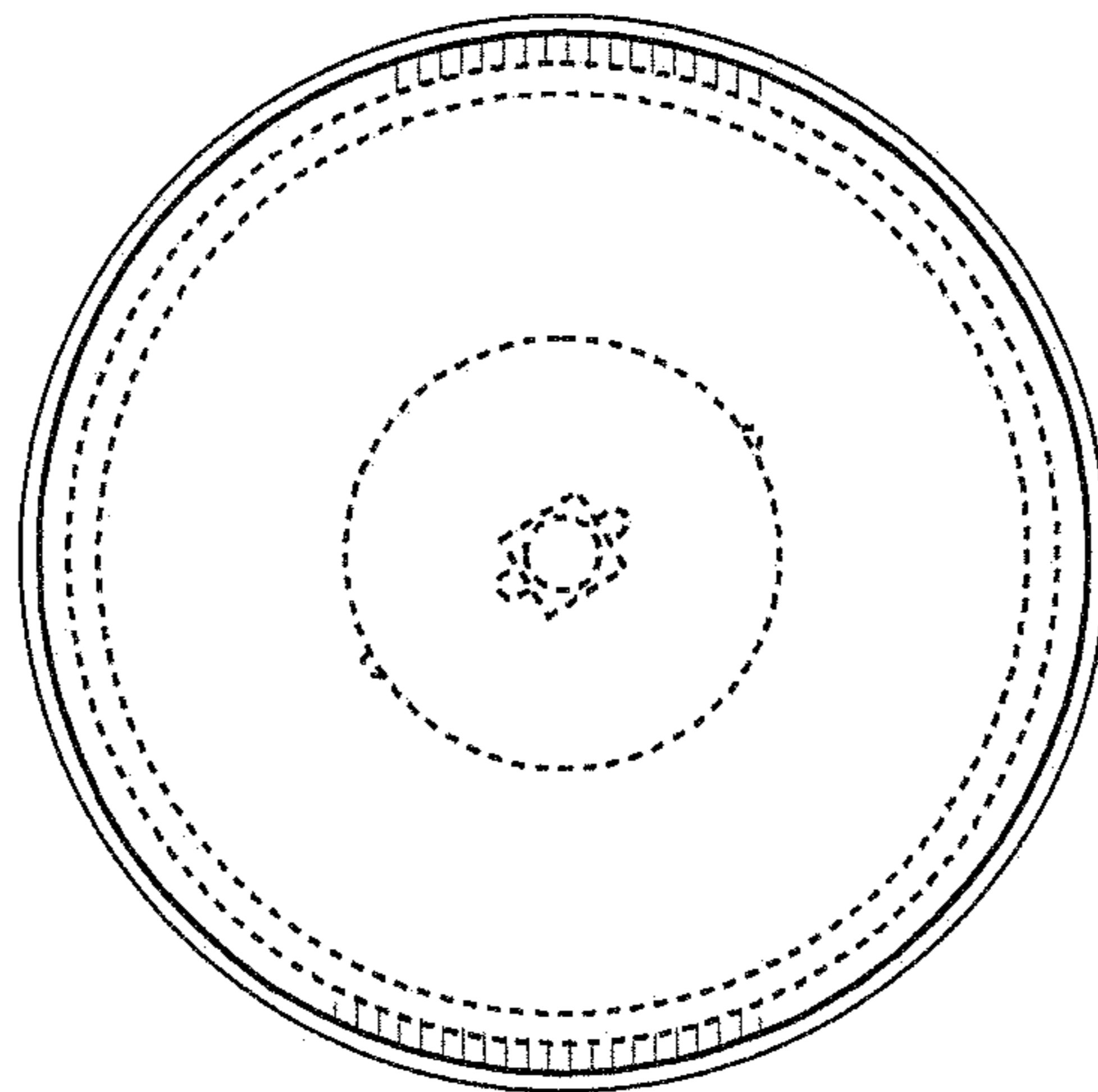


FIG. 3

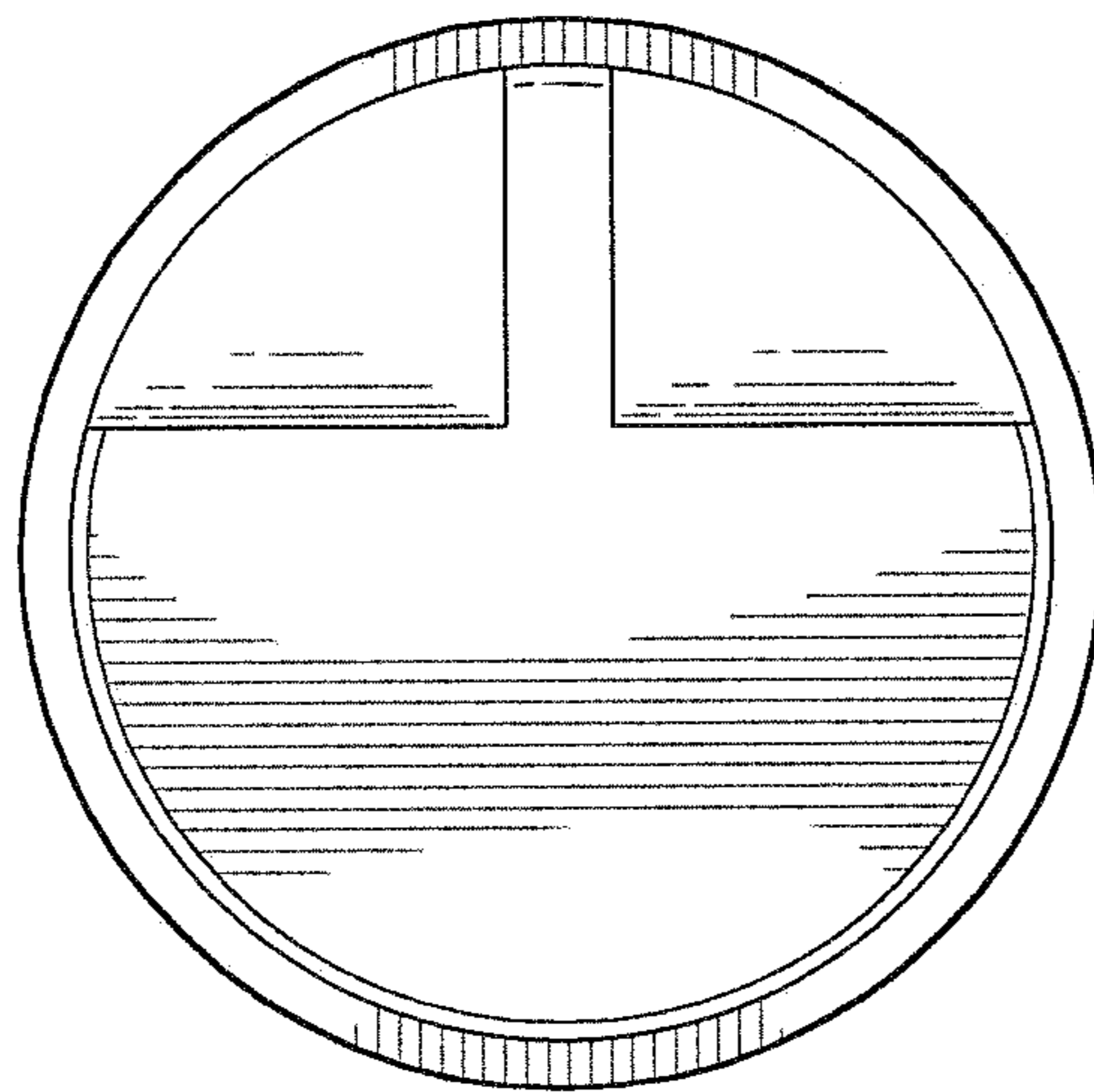


FIG. 4

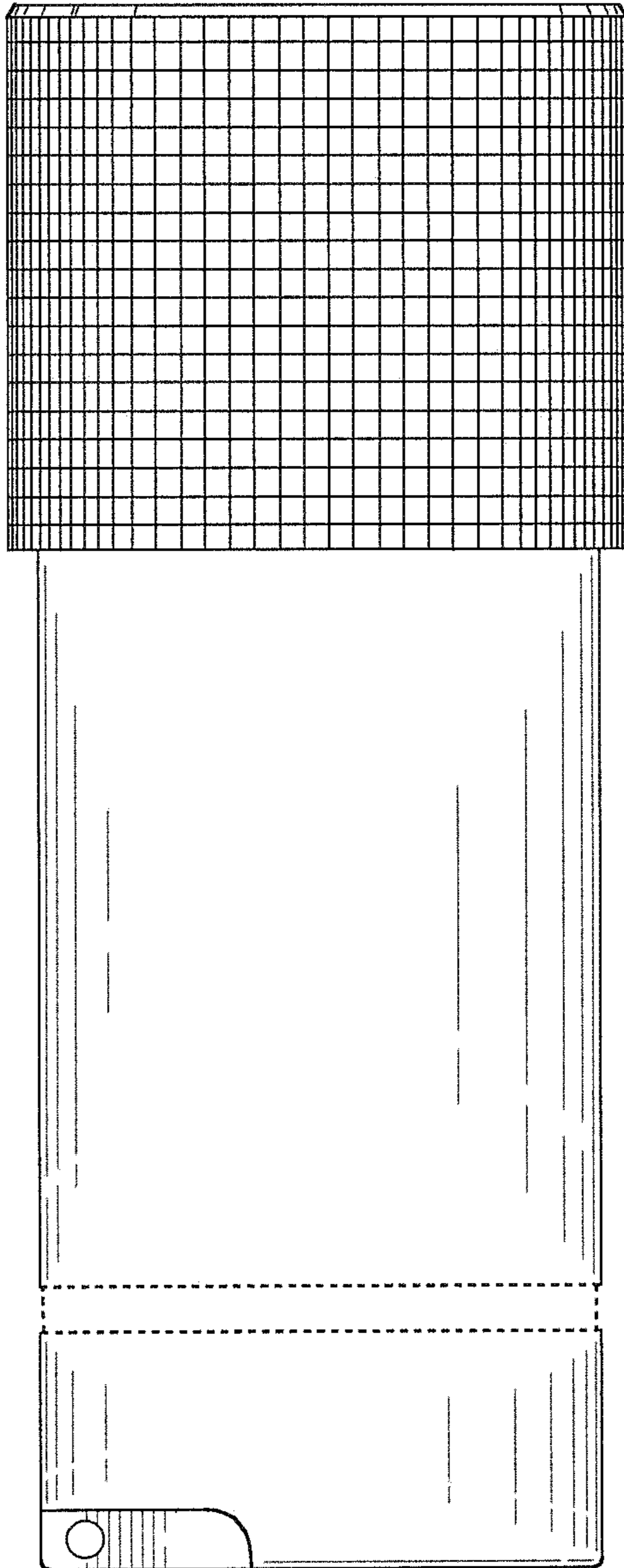


FIG. 5

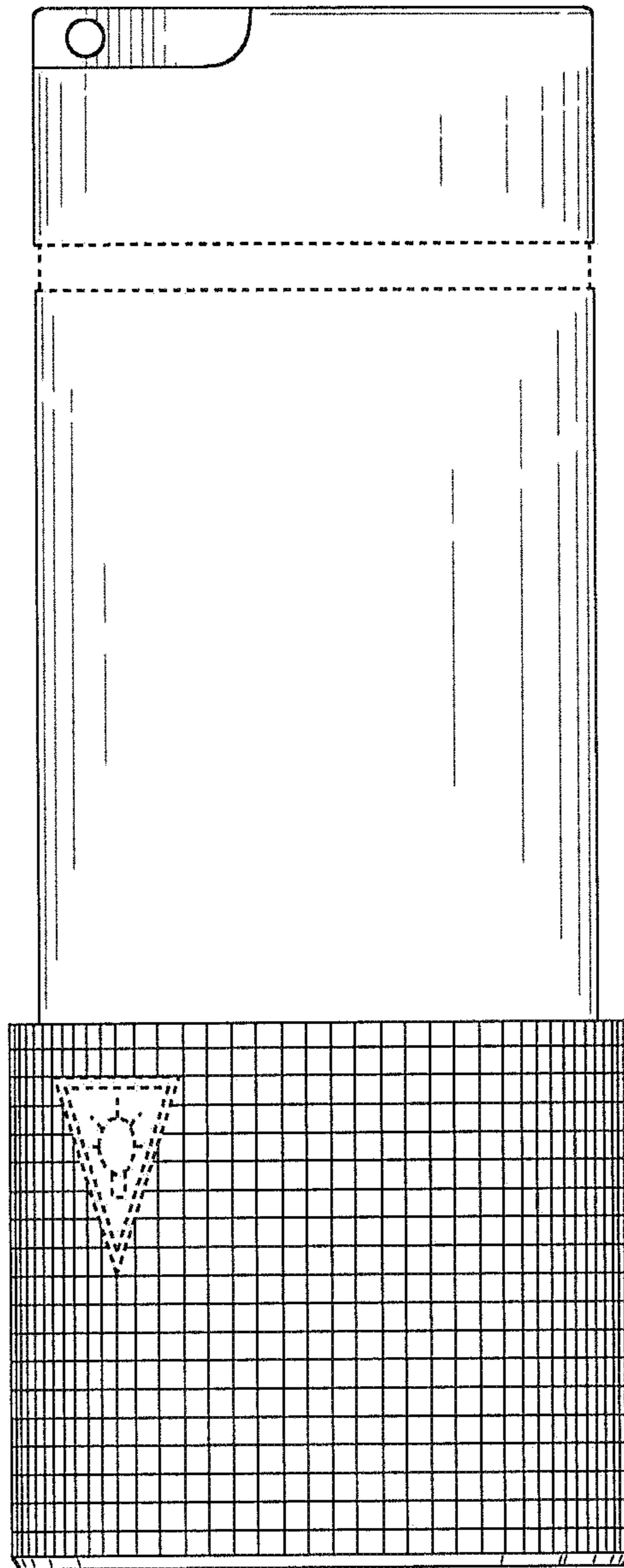


FIG. 6

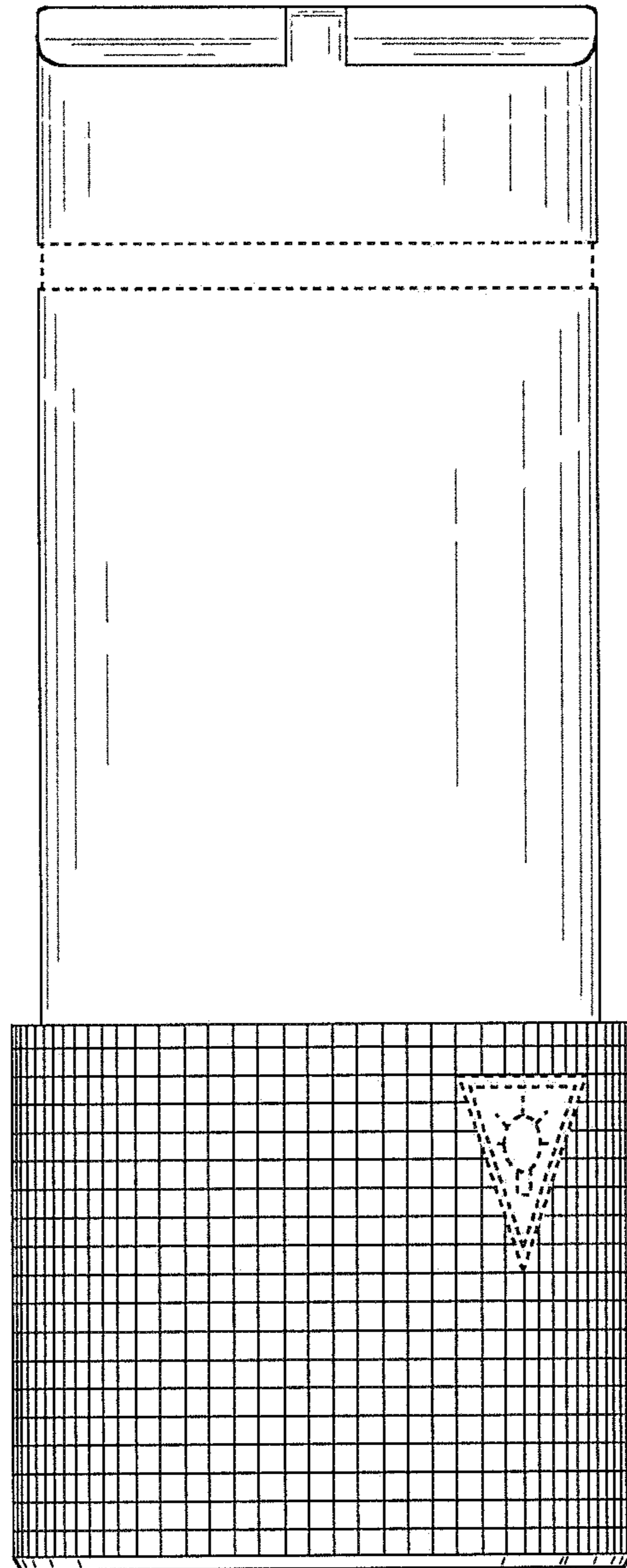


FIG. 7

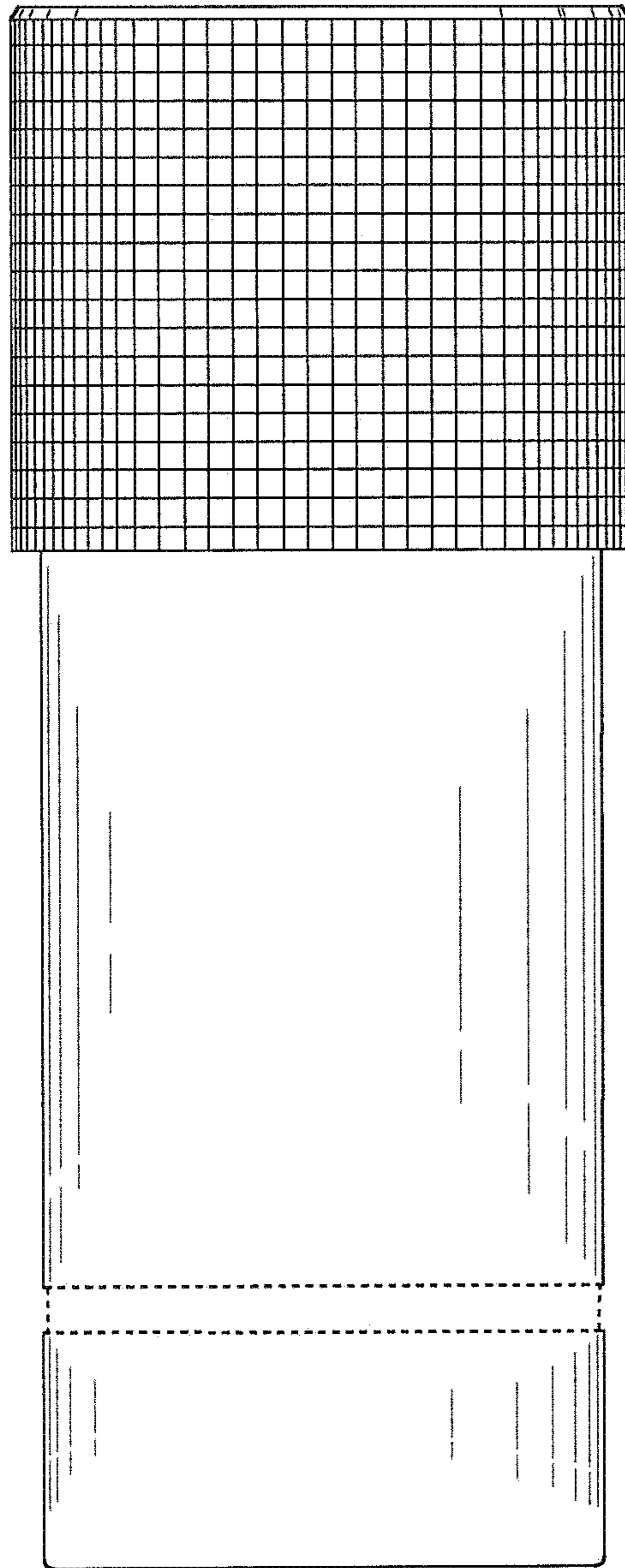


FIG. 8