



US00D827890S

(12) **United States Design Patent** (10) **Patent No.:** **US D827,890 S**  
**Mullani et al.** (45) **Date of Patent:** **\*\* Sep. 4, 2018**

(54) **MEDICAL ILLUMINATOR**  
 (71) Applicant: **3Gen, Inc.**, San Juan Capistrano, CA (US)  
 (72) Inventors: **Nizar Mullani**, Sugar Land, TX (US); **Thorsten Trotzenberg**, Wiesbaden (DE)  
 (73) Assignee: **3Gen, Inc.**, San Juan Capistrano, CA (US)

D634,763 S \* 3/2011 Levine ..... D16/135  
 D642,726 S \* 8/2011 Khubani ..... D26/37  
 D669,512 S \* 10/2012 Besse ..... D16/135  
 D712,561 S \* 9/2014 Hagenauer ..... D24/210  
 D741,531 S \* 10/2015 Vivenzio ..... D26/38  
 D741,928 S \* 10/2015 Huang ..... D16/135  
 D747,263 S \* 1/2016 Lafferty ..... D13/102  
 D753,295 S \* 4/2016 Vivenzio ..... D24/135  
 D787,728 S \* 5/2017 Wing ..... D26/37  
 D803,440 S \* 11/2017 Tompkin ..... D26/37  
 D805,666 S \* 12/2017 Nguyen ..... D26/37  
 D806,294 S \* 12/2017 Nguyen ..... D26/37

\* cited by examiner

(\*\*) Term: **15 Years**

*Primary Examiner* — Brandon M Rosati

(21) Appl. No.: **29/631,223**

*Assistant Examiner* — Carissa C Fitts

(22) Filed: **Dec. 28, 2017**

(74) *Attorney, Agent, or Firm* — Stetina Brunda Garred & Brucker

(51) **LOC (11) Cl.** ..... **26-02**

(52) **U.S. Cl.**

(57) **CLAIM**

USPC ..... **D26/37**

The ornamental design for a medical illuminator, as shown and described.

(58) **Field of Classification Search**

**DESCRIPTION**

USPC ..... D24/135; D26/37-51, 113  
 CPC ..... F21L 2003/00; F21L 4/00; F21L 4/005;  
 F21L 4/02; F21L 4/025; F21L 4/027;  
 F21L 4/04; F21L 4/08; F21L 2005/00;  
 F21L 7/00; F21L 11/00; F21L 13/00;  
 F21L 13/04; F21L 13/08; F21L 14/02;  
 F21L 17/00; F21L 19/00; F21L 25/00

FIG. 1 is a top perspective view of the medical illuminator showing my new design;  
 FIG. 2 is a bottom perspective view thereof;  
 FIG. 3 is a top view of thereof;  
 FIG. 4 is a left side view thereof;  
 FIG. 5 is a bottom view thereof;  
 FIG. 6 is a right side view thereof;  
 FIG. 7 is a forward view thereof; and,  
 FIG. 8 is a rear view thereof.

See application file for complete search history.

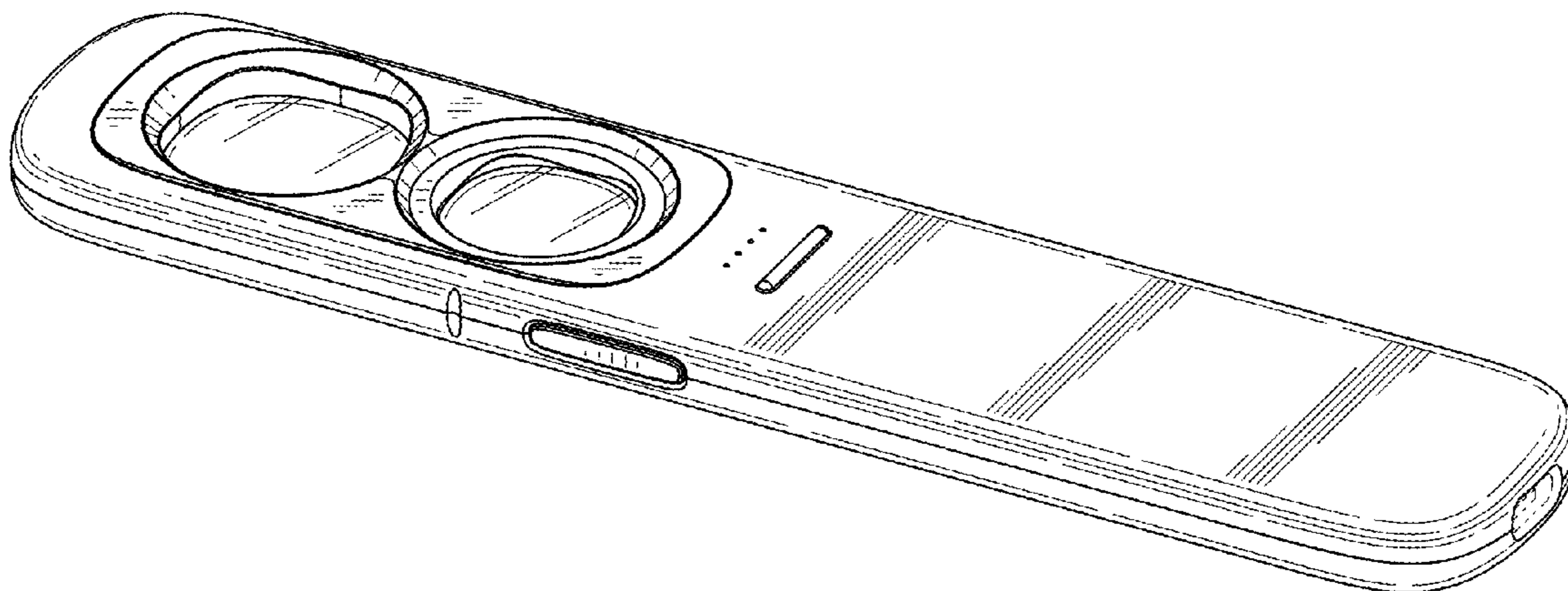
The broken lines in FIGS. 1 and 8 of drawings illustrate portions of the medical illuminator that form no part of the claimed design.

(56) **References Cited**

**U.S. PATENT DOCUMENTS**

D320,658 S \* 10/1991 Quigley ..... D24/135  
 D336,655 S \* 6/1993 Lee ..... D16/135  
 D358,470 S \* 5/1995 Quigley ..... D24/135  
 D359,744 S \* 6/1995 Peavey ..... D16/130  
 D544,008 S \* 6/2007 Stewart ..... D16/135

**1 Claim, 2 Drawing Sheets**



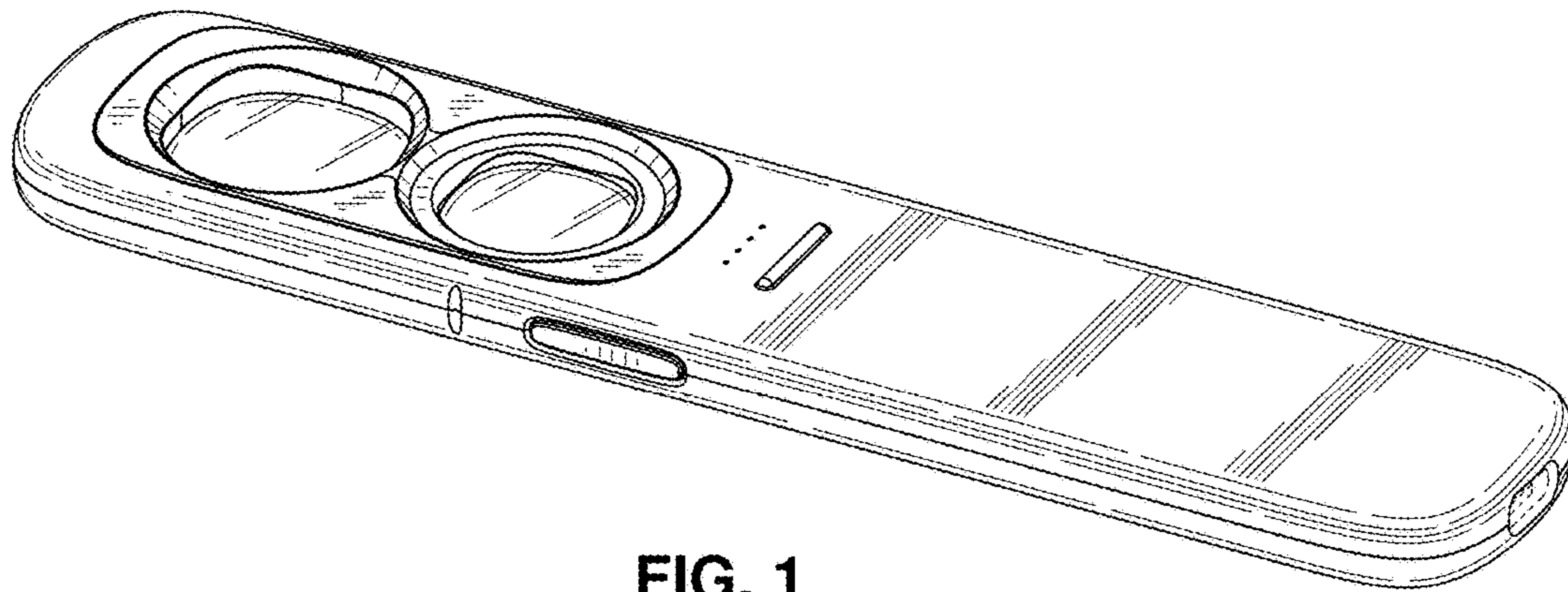


FIG. 1

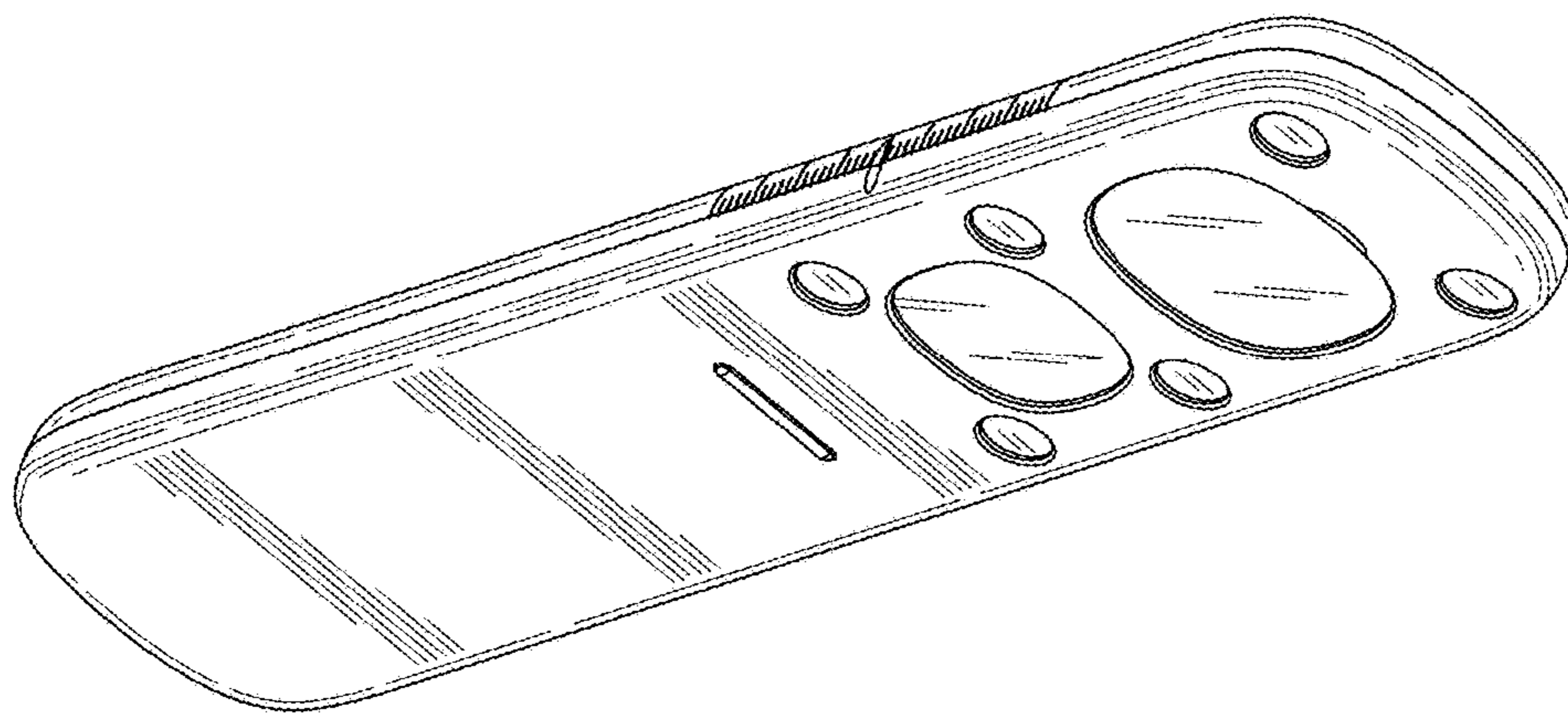


FIG. 2

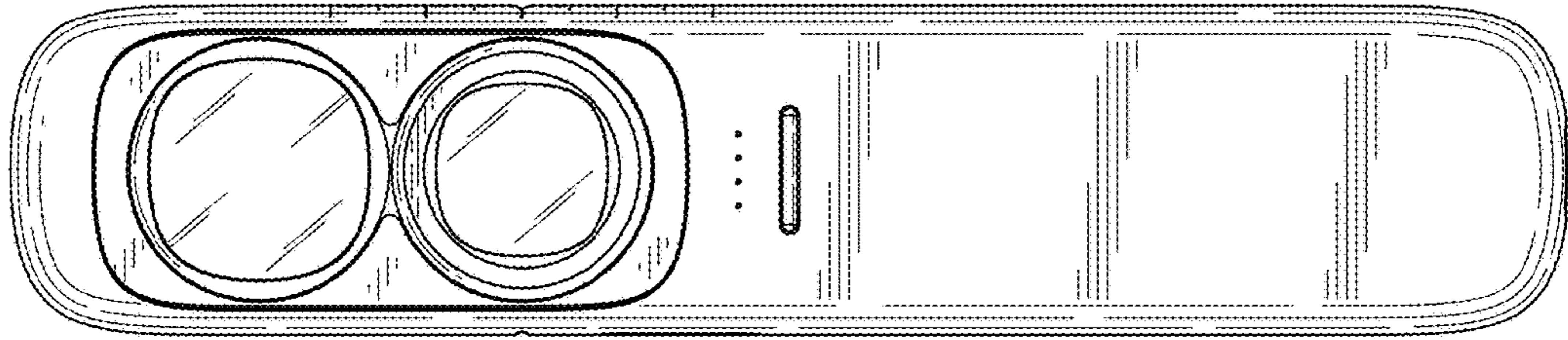


FIG. 3



FIG. 4

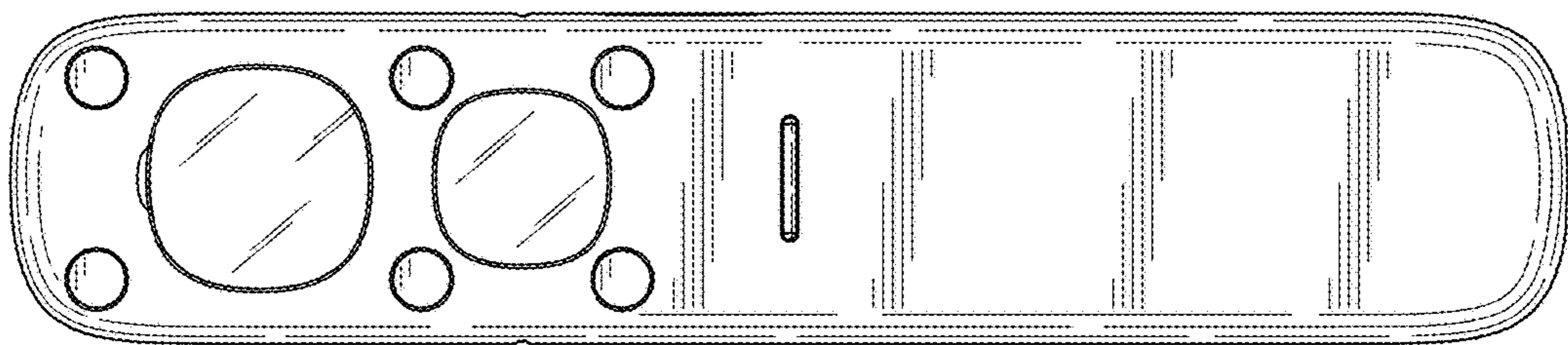


FIG. 5

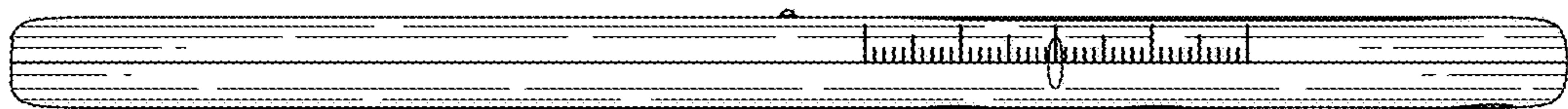


FIG. 6



FIG. 7

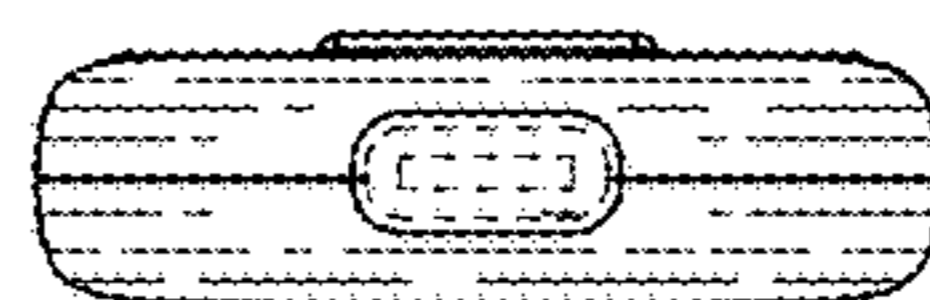


FIG. 8