

US00D827888S

(12) **United States Design Patent**
Liu

(10) **Patent No.:** **US D827,888 S**

(45) **Date of Patent:** **** Sep. 4, 2018**

(54) **VEHICLE LAMP**

(71) Applicant: **Juluon Enterprise Co., Ltd.**, New Taipei (TW)

(72) Inventor: **Tung-Kang Liu**, New Taipei (TW)

(73) Assignee: **Juluon Enterprise Co., Ltd.**, New Taipei (TW)

(**) Term: **15 Years**

(21) Appl. No.: **29/619,415**

(22) Filed: **Sep. 28, 2017**

(51) **LOC (11) Cl.** **26-06**

(52) **U.S. Cl.**
USPC **D26/28**

(58) **Field of Classification Search**
USPC D26/28-36; 362/80-83, 267-269,
362/459-468, 475-478, 485-487
CPC F21S 48/00; F21S 48/10; F21S 48/115;
F21S 48/225; F21S 48/1233; F21S
48/1266; F21S 48/1388; F21S 48/2268;
F21V 21/04
See application file for complete search history.

(56) **References Cited**

U.S. PATENT DOCUMENTS

D512,790 S * 12/2005 Handsaker D26/28

D549,367 S * 8/2007 Hovind D26/28
D583,490 S * 12/2008 Rogers D26/28
D745,720 S * 12/2015 Chang D26/28

* cited by examiner

Primary Examiner — Marcus Jackson

(74) *Attorney, Agent, or Firm* — JCIPRNET

(57) **CLAIM**

The ornamental design for a vehicle lamp, as shown and described.

DESCRIPTION

FIG. 1 is a perspective view of a vehicle lamp showing my new design;

FIG. 2 is a top view thereof;

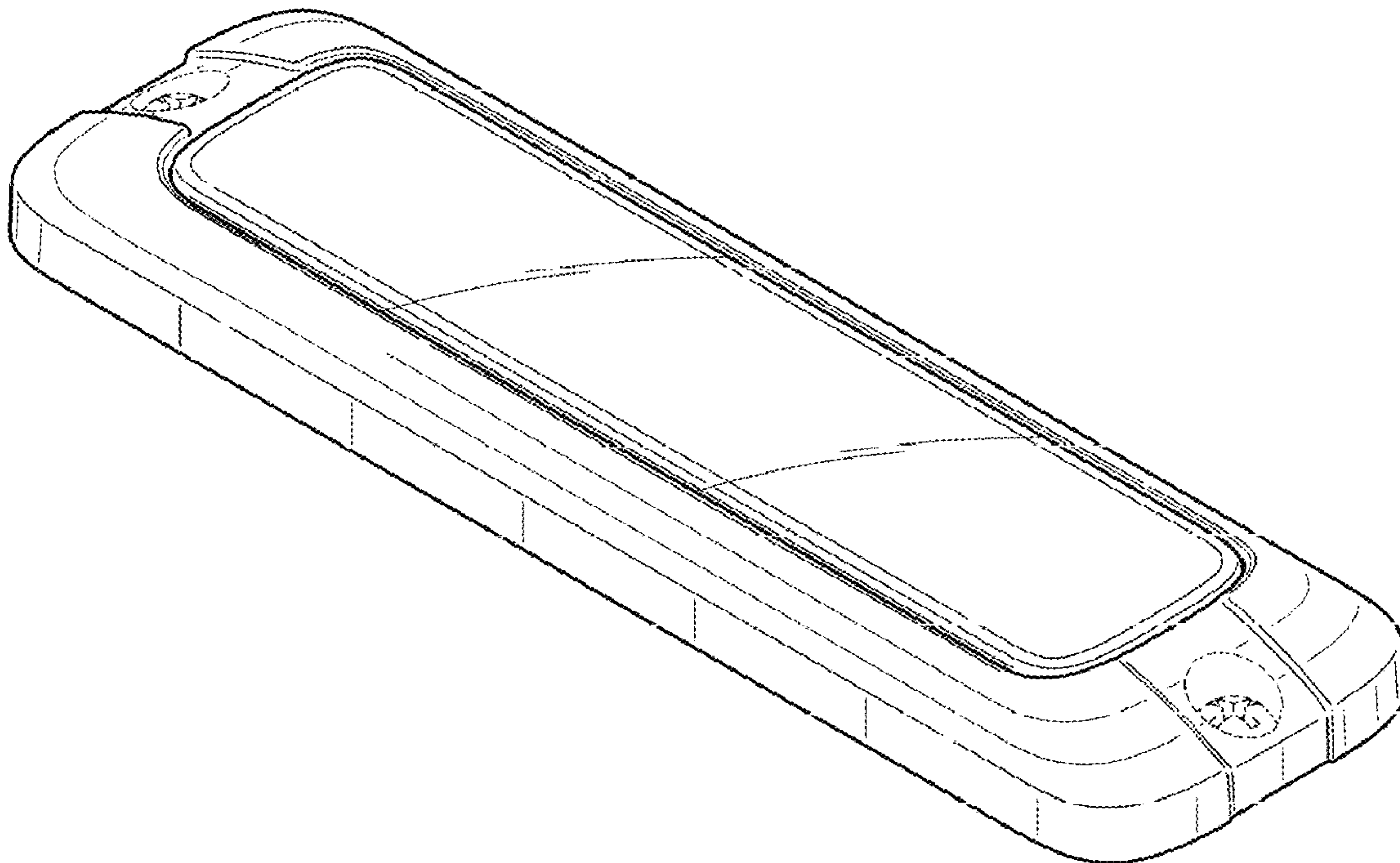
FIG. 3 is a front view thereof, the rear view being a mirror image of the front view; and,

FIG. 4 is a right side view thereof, the left side view being a mirror image of the right side view.

A bottom view thereof is omitted since it does not contain ornamental features.

The broken line portions of the vehicle lamp in the drawings represent unclaimed portions of the claimed design and form no part thereof. The oblique line shading represents a translucent or transparent surface.

1 Claim, 2 Drawing Sheets



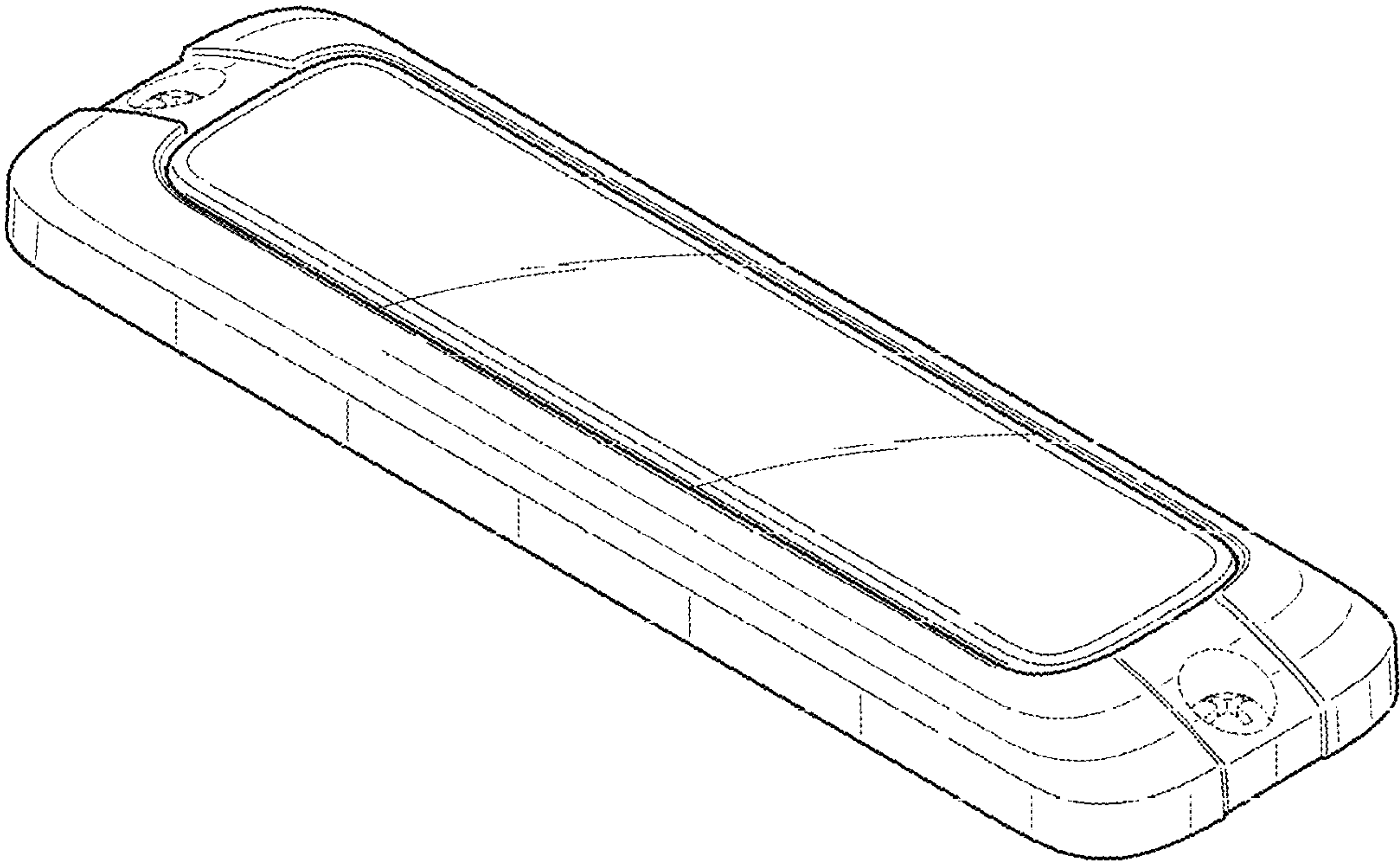


FIG. 1

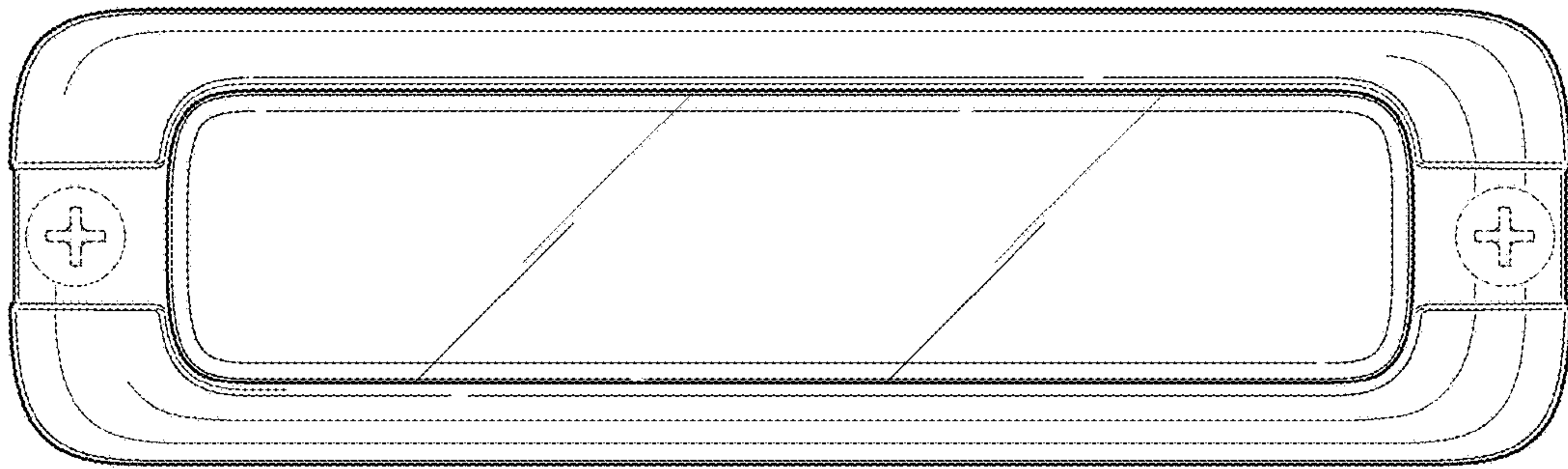


FIG. 2

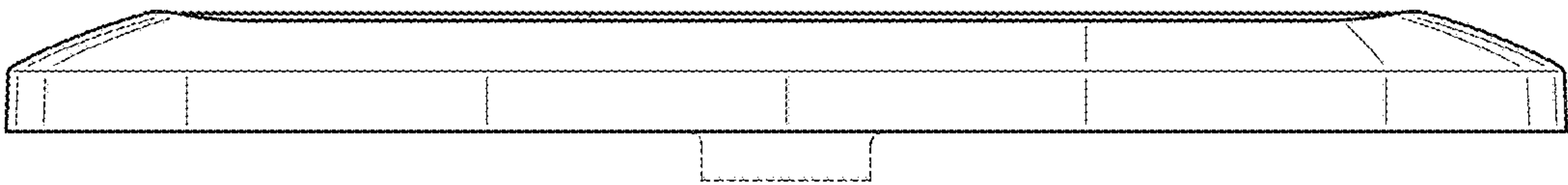


FIG. 3

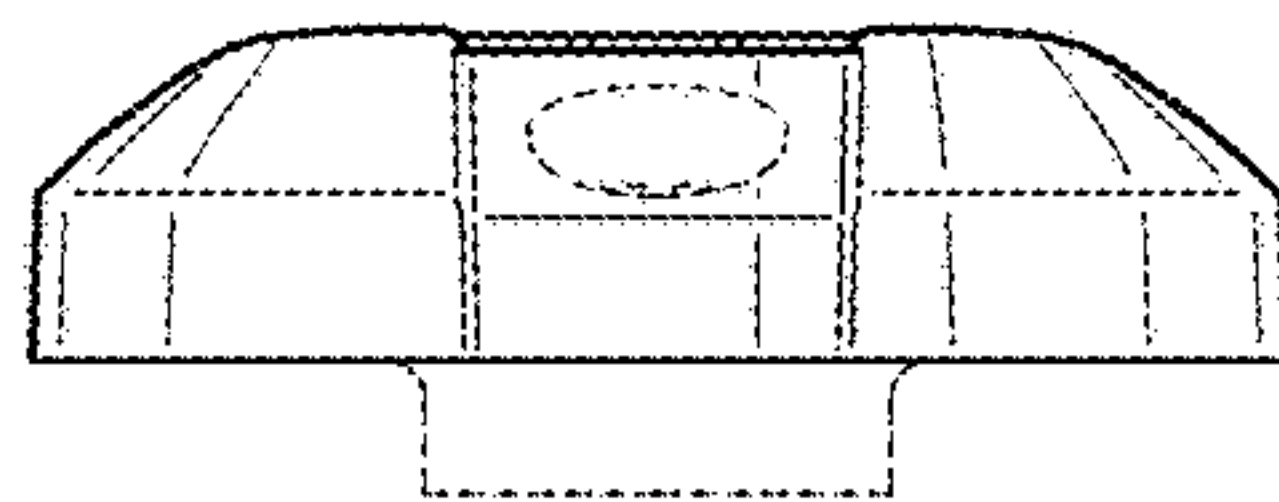


FIG. 4