



US00D827887S

(12) **United States Design Patent**
Pan

(10) **Patent No.:** **US D827,887 S**

(45) **Date of Patent:** **** Sep. 4, 2018**

(54) **VEHICLE LAMP**

D641,092 S * 7/2011 Okuda D26/28
D747,510 S * 1/2016 Okuda D26/28
D770,653 S * 11/2016 Lai D26/28
D773,080 S * 11/2016 Liu D26/28

(71) Applicant: **Juluon Enterprise Co., Ltd.**, New Taipei (TW)

* cited by examiner

(72) Inventor: **Pei-Chun Pan**, New Taipei (TW)

Primary Examiner — Marcus Jackson

(73) Assignee: **Juluon Enterprise Co., Ltd.**, New Taipei (TW)

(74) *Attorney, Agent, or Firm* — JCIPRNET

(**) Term: **15 Years**

(57) **CLAIM**

(21) Appl. No.: **29/619,411**

The ornamental design for a vehicle lamp, as shown and described.

(22) Filed: **Sep. 28, 2017**

(51) **LOC (11) Cl.** **26-06**

(52) **U.S. Cl.**
USPC **D26/28**

DESCRIPTION

(58) **Field of Classification Search**
USPC D26/28–36; 362/80–83, 267–269,
362/459–468, 475–478, 485–487
CPC F21S 48/00; F21S 48/10; F21S 48/115;
F21S 48/225; F21S 48/1233; F21S
48/1266; F21S 48/1388; F21S 48/2268;
F21V 21/04
See application file for complete search history.

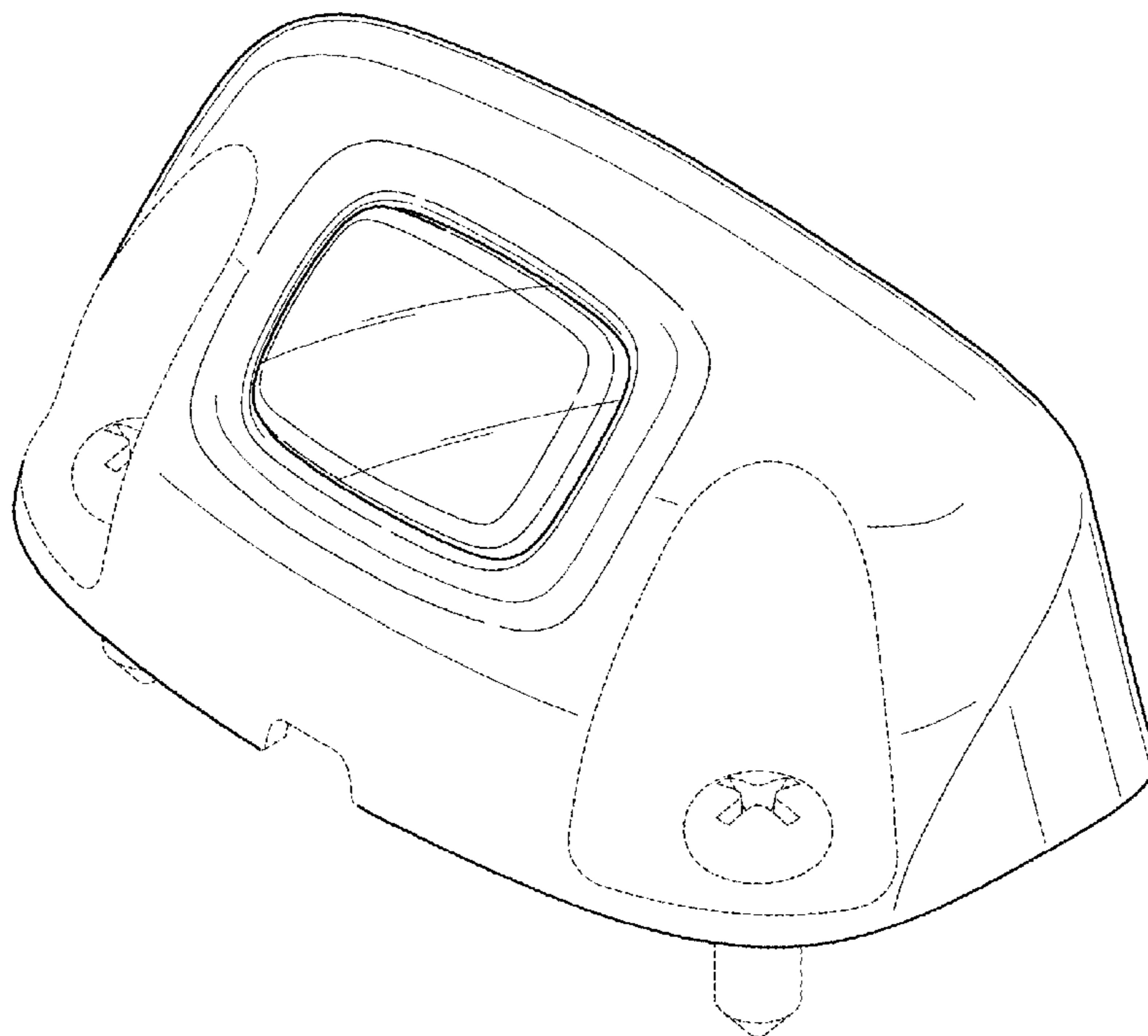
FIG. 1 is a perspective view of a vehicle lamp showing my new design;
FIG. 2 is a front view thereof;
FIG. 3 is a rear view thereof;
FIG. 4 is a right side view thereof, the left side view being a mirror image of the right side view; and,
FIG. 5 is a top view thereof.
A bottom view thereof is omitted since it does not contain ornamental features. The broken line portions of the vehicle lamp in the drawings represent unclaimed portions of the claimed design and form no part thereof. The oblique line shading represents a translucent or transparent surface.

(56) **References Cited**

U.S. PATENT DOCUMENTS

D411,635 S * 6/1999 Philipot D26/28
D492,047 S * 6/2004 Dohogne D26/28

1 Claim, 5 Drawing Sheets



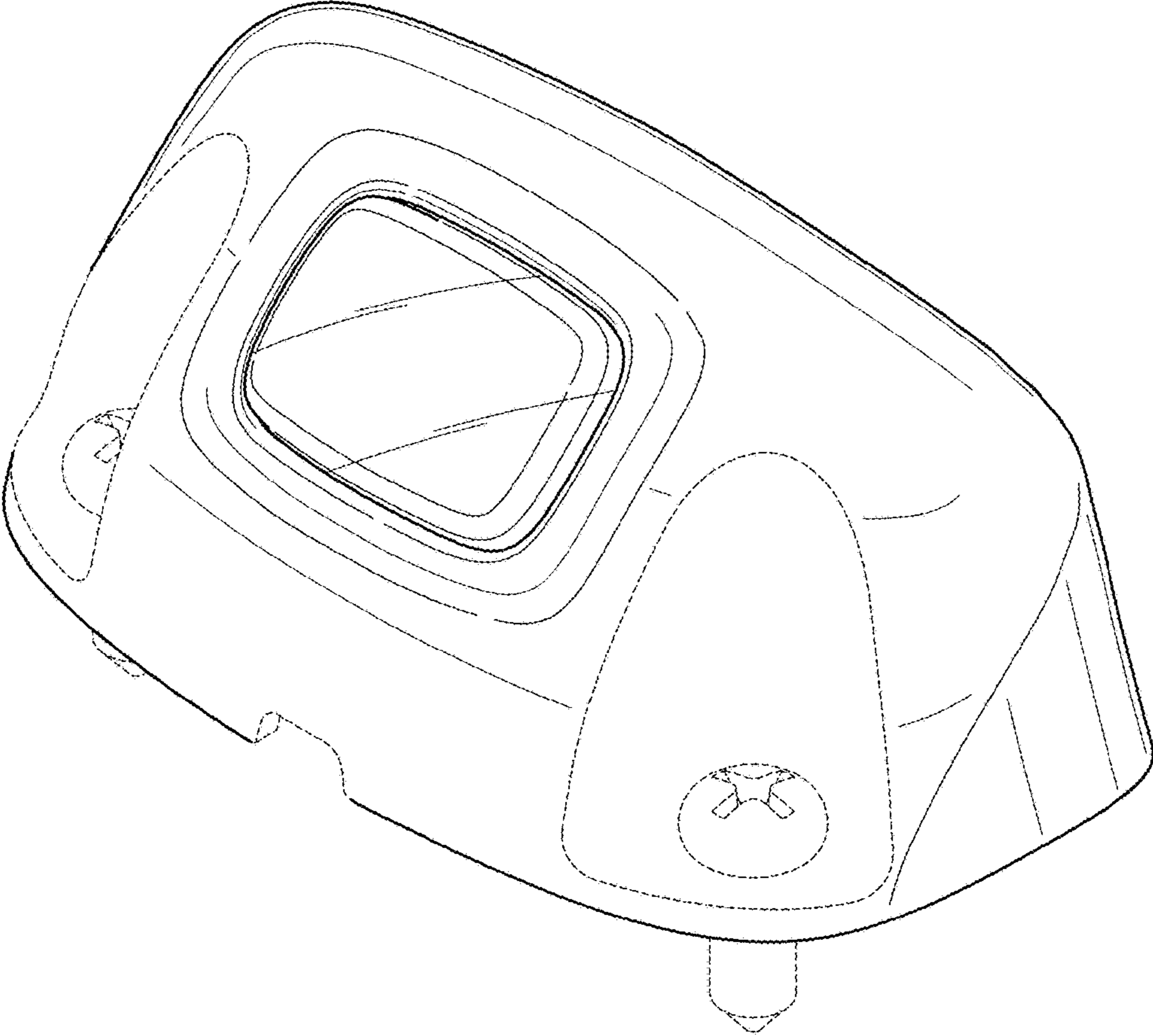


FIG. 1

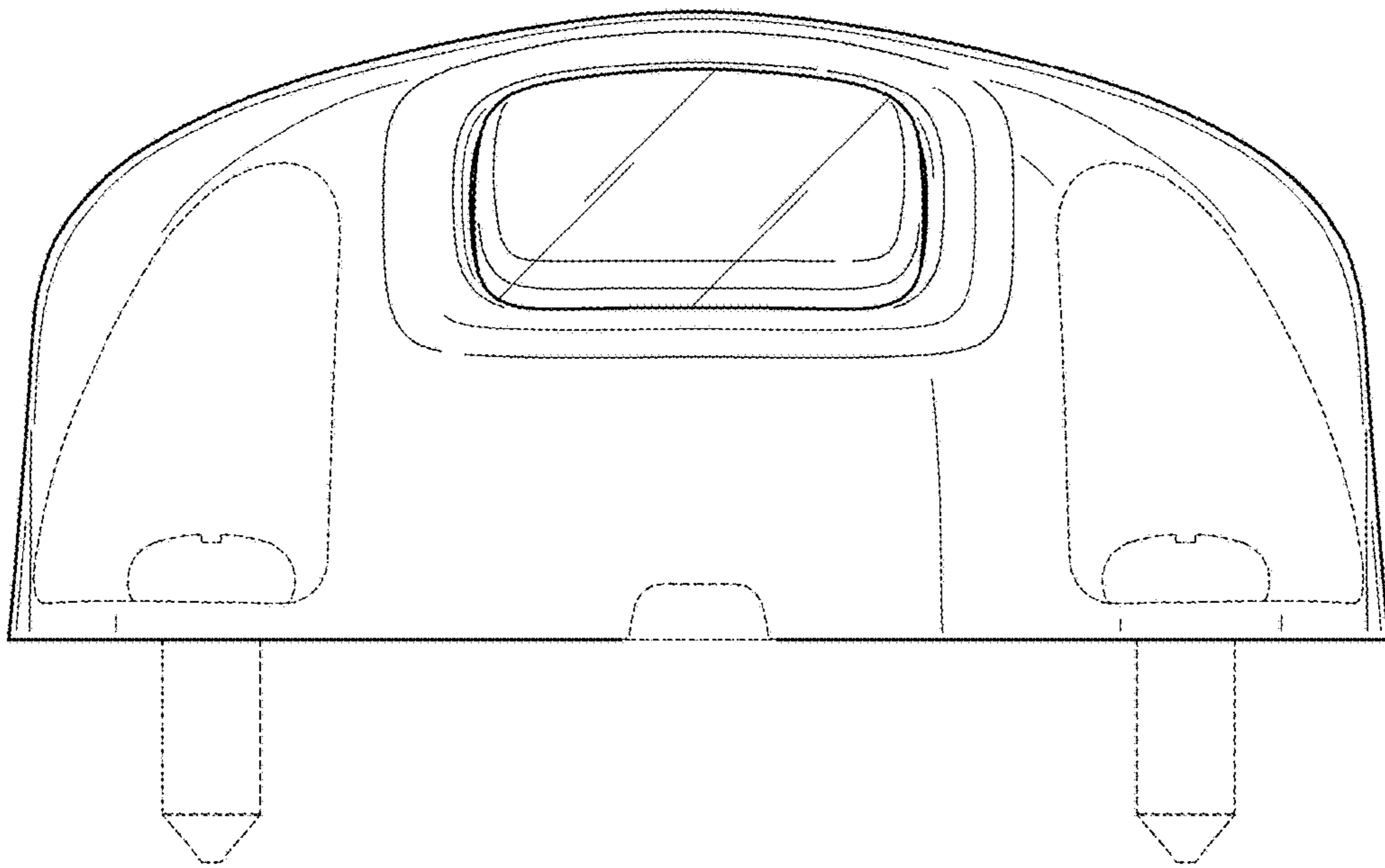


FIG. 2

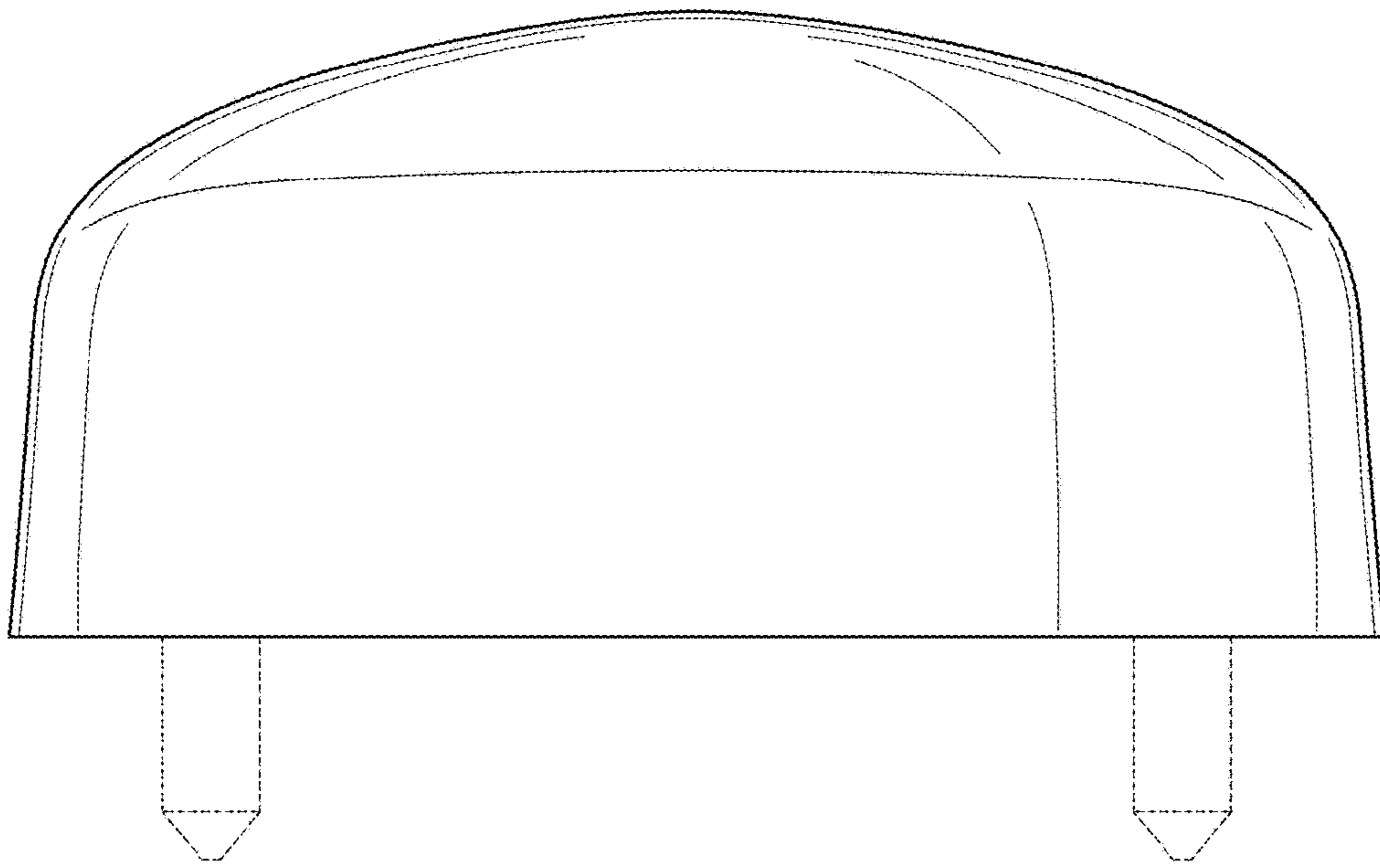


FIG. 3

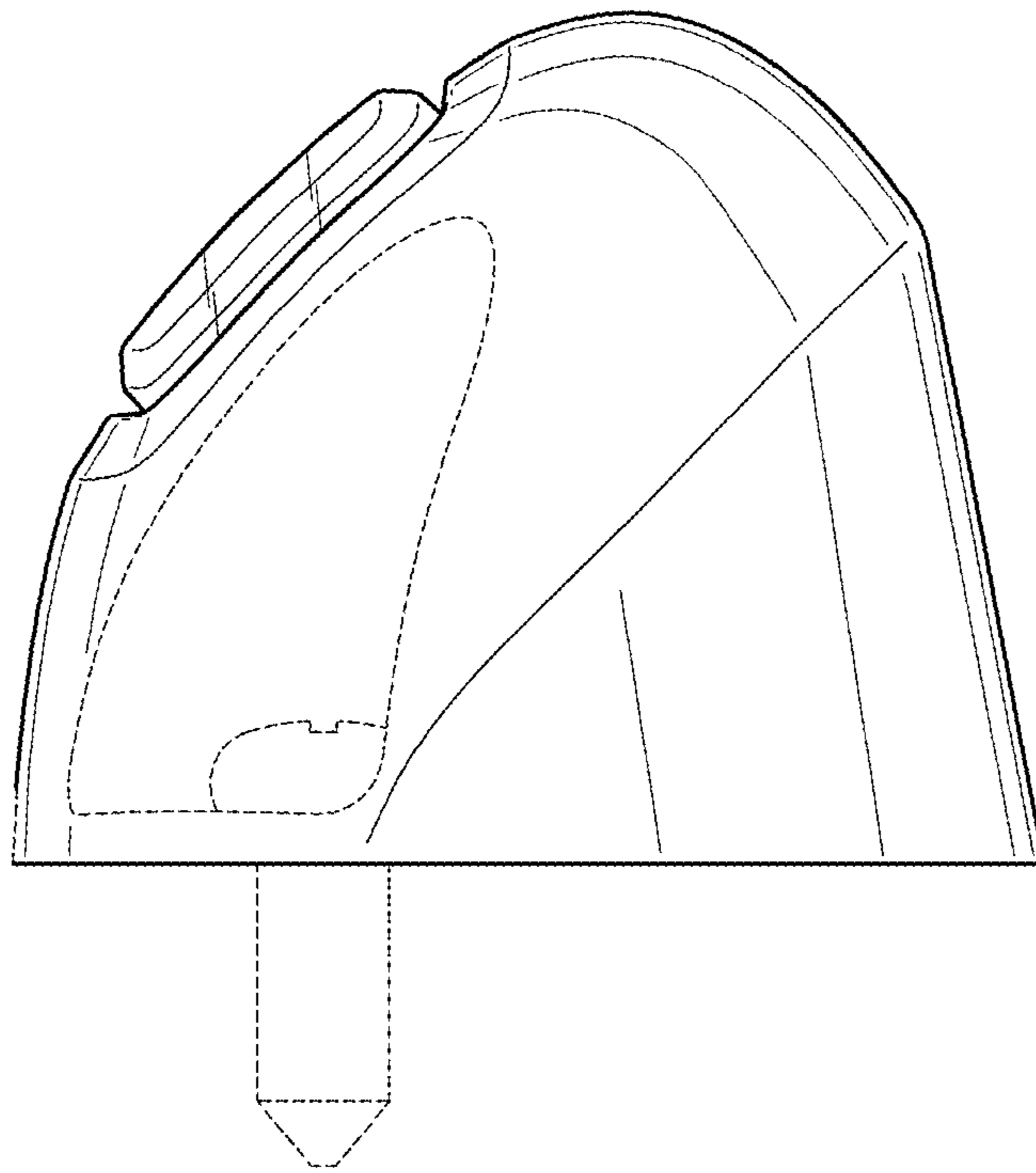


FIG. 4

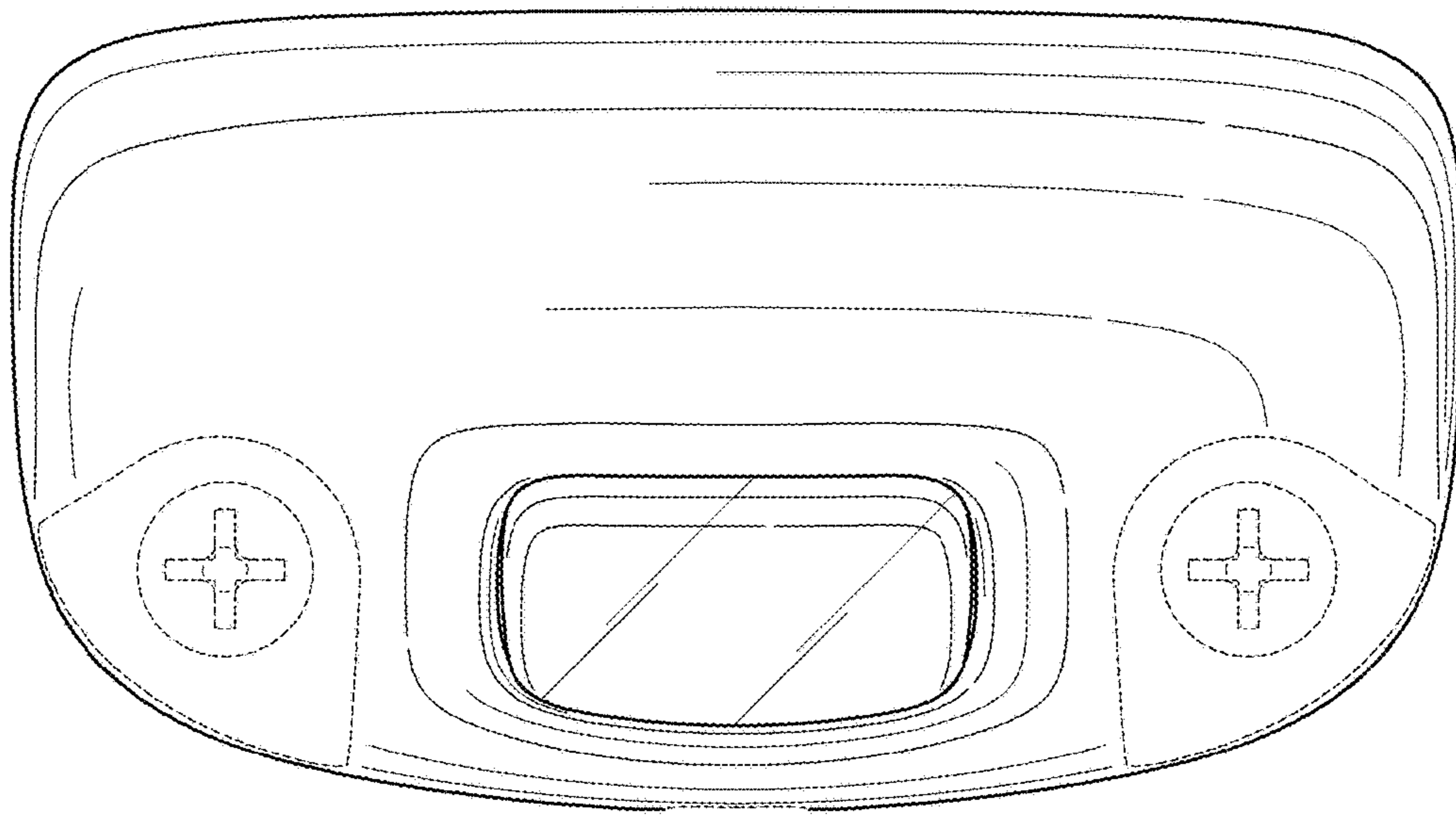


FIG. 5