



US00D827885S

(12) **United States Design Patent** (10) **Patent No.:** **US D827,885 S**
Hannemann (45) **Date of Patent:** **** Sep. 4, 2018**

(54) **HEADLIGHT FOR A VEHICLE**
 (71) Applicant: **Bayerische Motoren Werke Aktiengesellschaft, Munich (DE)**

D744,129 S * 11/2015 Futschik D26/28
 D745,726 S * 12/2015 McMahan D26/28
 D752,254 S * 3/2016 Futschik D26/28
 D752,255 S * 3/2016 Futschik D26/28
 D767,177 S 9/2016 Faghihzadeh

(72) Inventor: **Lisa Hannemann, Munich (DE)**
 (73) Assignee: **Bayerische Motoren Werke Aktiengesellschaft, Munich (DE)**

FOREIGN PATENT DOCUMENTS

WO WO DM/076561 2/2012
 WO WO DM/079708 6/2013
 WO WO DM/080343 8/2013

(**) Term: **15 Years**

* cited by examiner

(21) Appl. No.: **29/607,498**

Primary Examiner — Marcus Jackson

(22) Filed: **Jun. 14, 2017**

(74) *Attorney, Agent, or Firm* — Crowell & Moring LLP

(30) **Foreign Application Priority Data**

(57) **CLAIM**

The ornamental design for a headlight for a vehicle, as shown and described.

Dec. 20, 2016 (DE) 40 2016 101 504

DESCRIPTION

(51) **LOC (11) Cl.** **26-06**

This application contains subject matter related to the following co-pending U.S. design patent applications:

(52) **U.S. Cl.** **D26/28**

USPC **D26/28**

(58) **Field of Classification Search**

USPC D26/28–36; 362/80–83, 267–269, 362/459–468, 475–478, 485–487

CPC F21S 48/00; F21S 48/10; F21S 48/115; F21S 48/225; F21S 48/1233; F21S 48/1266; F21S 48/1388; F21S 48/2268; F21V 21/04

See application file for complete search history.

Application Ser. No. 29/579,113, filed Sep. 28, 2016 and entitled “Headlight for a Vehicle”;

Application Ser. No. 29/607,492, filed herewith and entitled “Vehicle, Toy, and/or Replicas Thereof”; and

Application Ser. No. 29/607,497, filed herewith and entitled “Headlight for a Vehicle”.

FIG. 1 is a front view of a headlight for a vehicle according to the design;

FIG. 2 is a right perspective view thereof;

FIG. 3 is a left perspective view thereof;

FIG. 4 is a right side view thereof;

FIG. 5 is a left side view thereof;

FIG. 6 is a top view thereof;

FIG. 7 is a bottom view thereof; and,

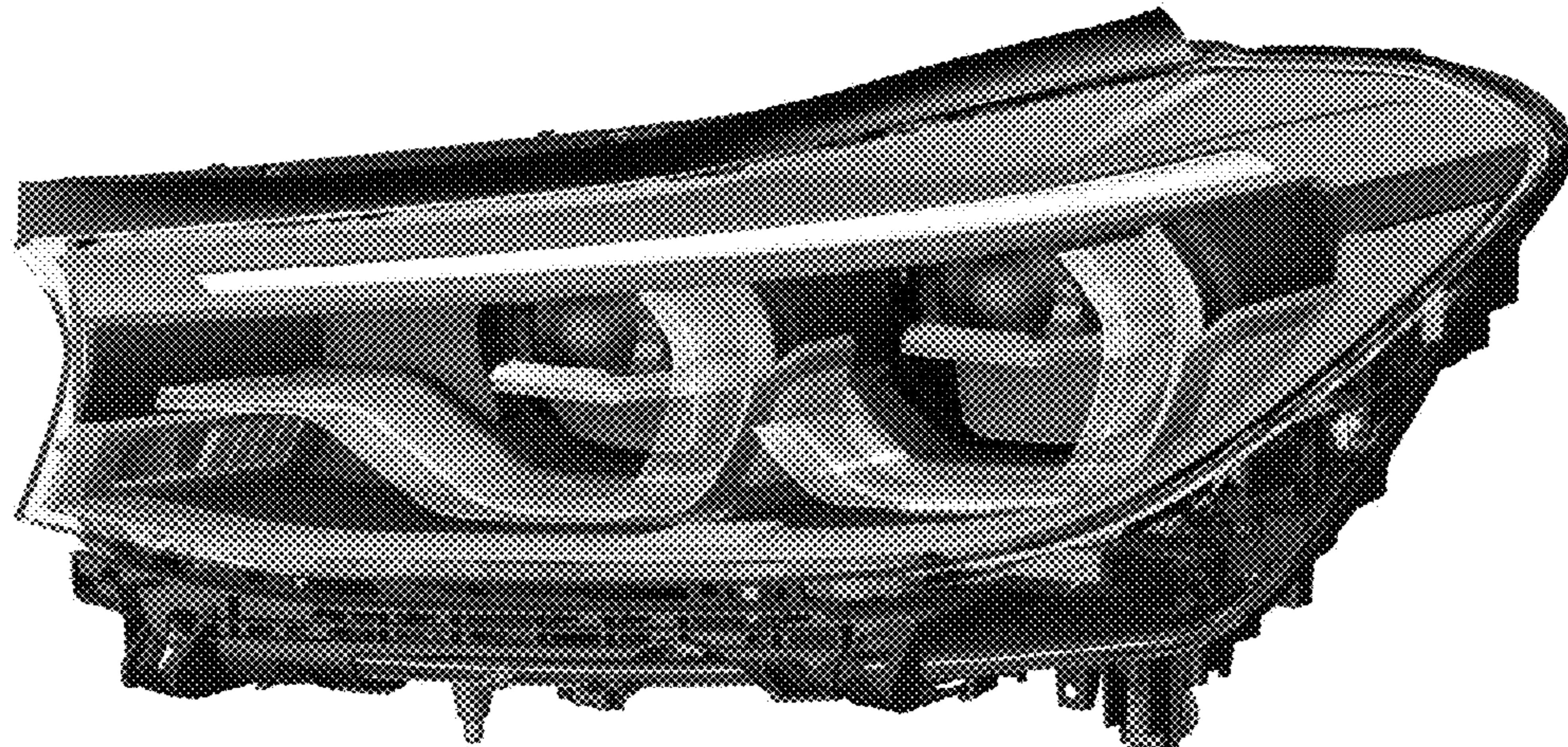
FIG. 8 is a rear view thereof.

(56) **References Cited**

U.S. PATENT DOCUMENTS

D674,940 S * 1/2013 Lai D26/28
 D686,356 S 7/2013 Morgenstern
 D720,870 S * 1/2015 Lim D26/28
 D721,196 S * 1/2015 Lai D26/28
 D723,724 S 3/2015 Johnson

1 Claim, 8 Drawing Sheets



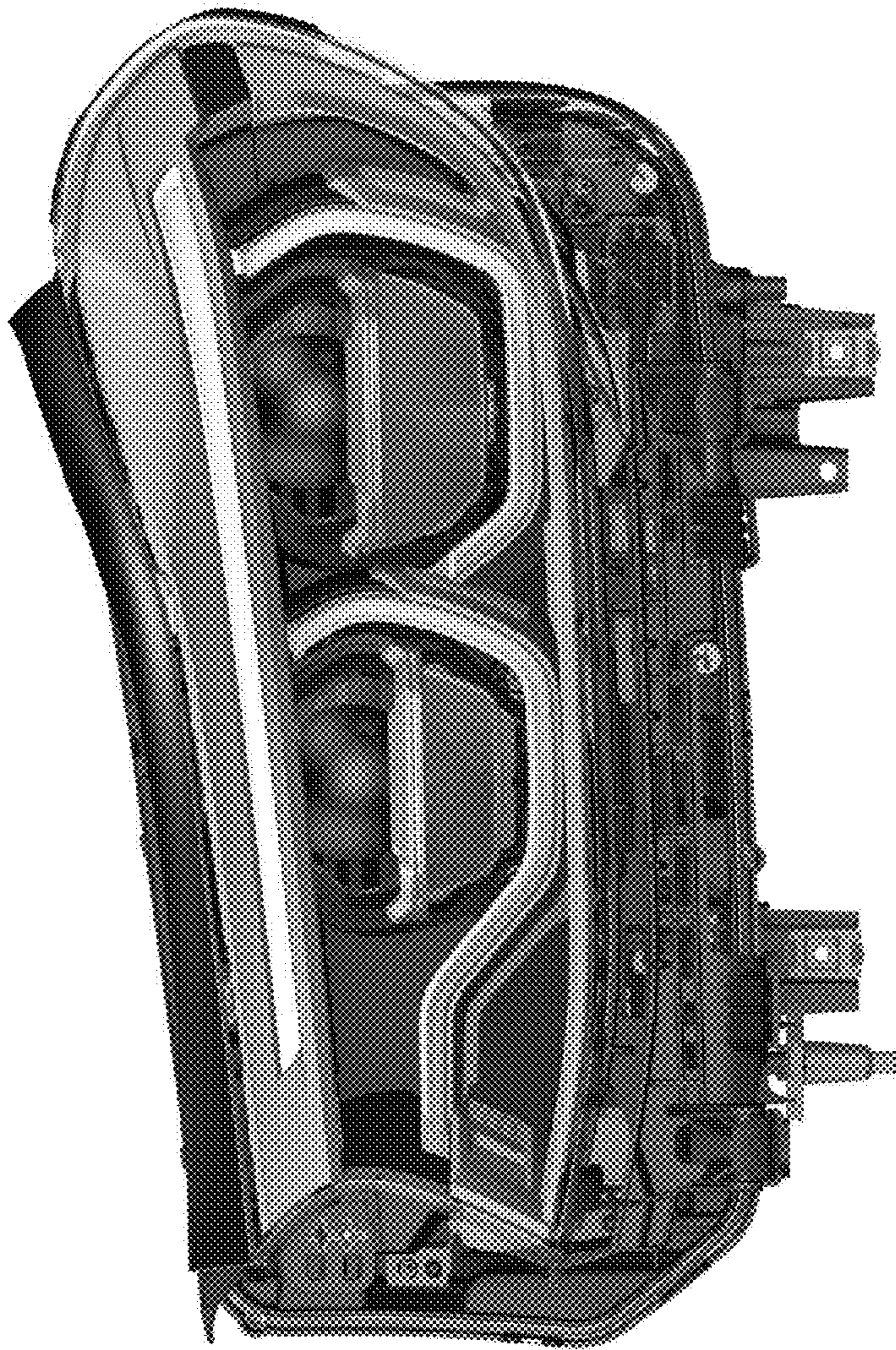


Fig. 1

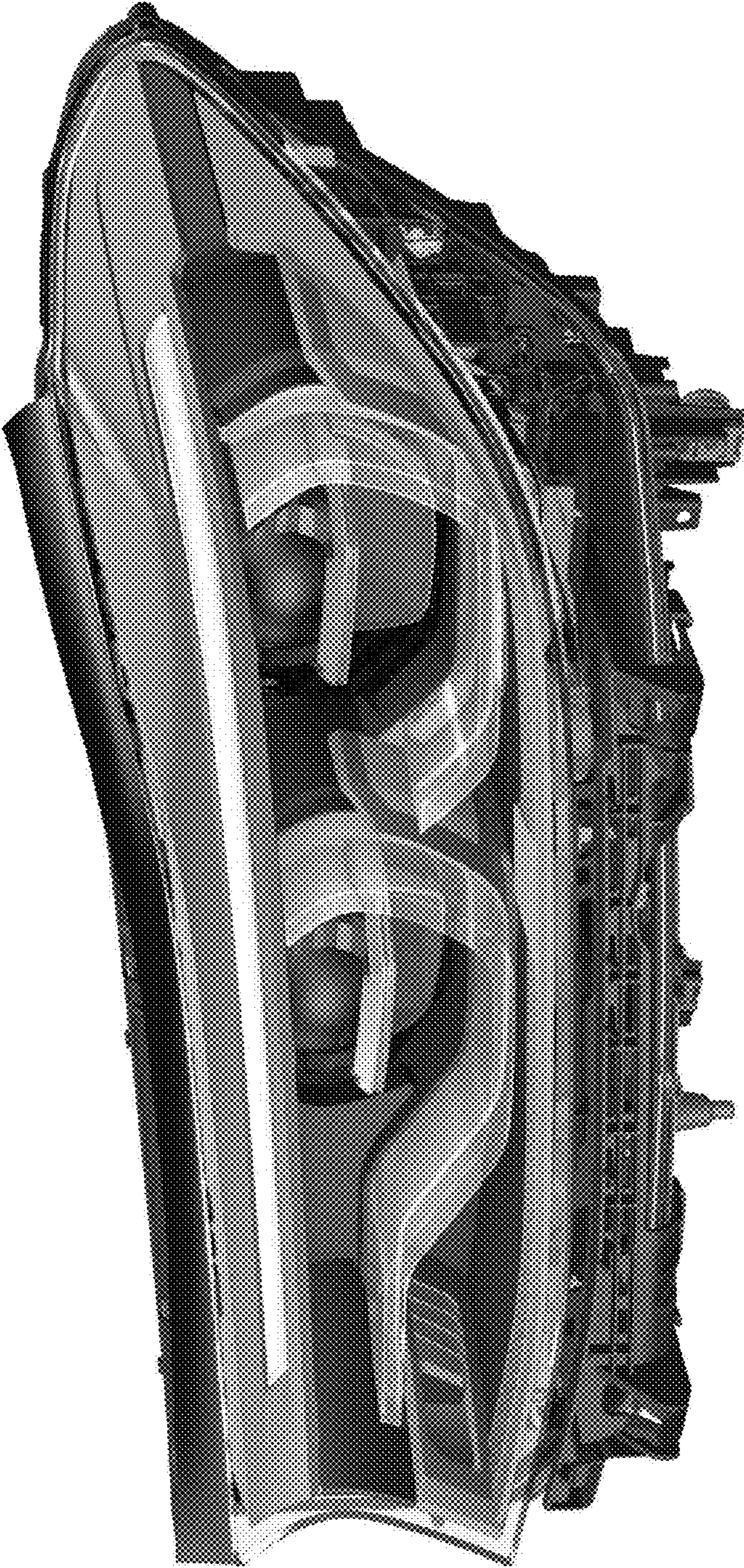


Fig. 2

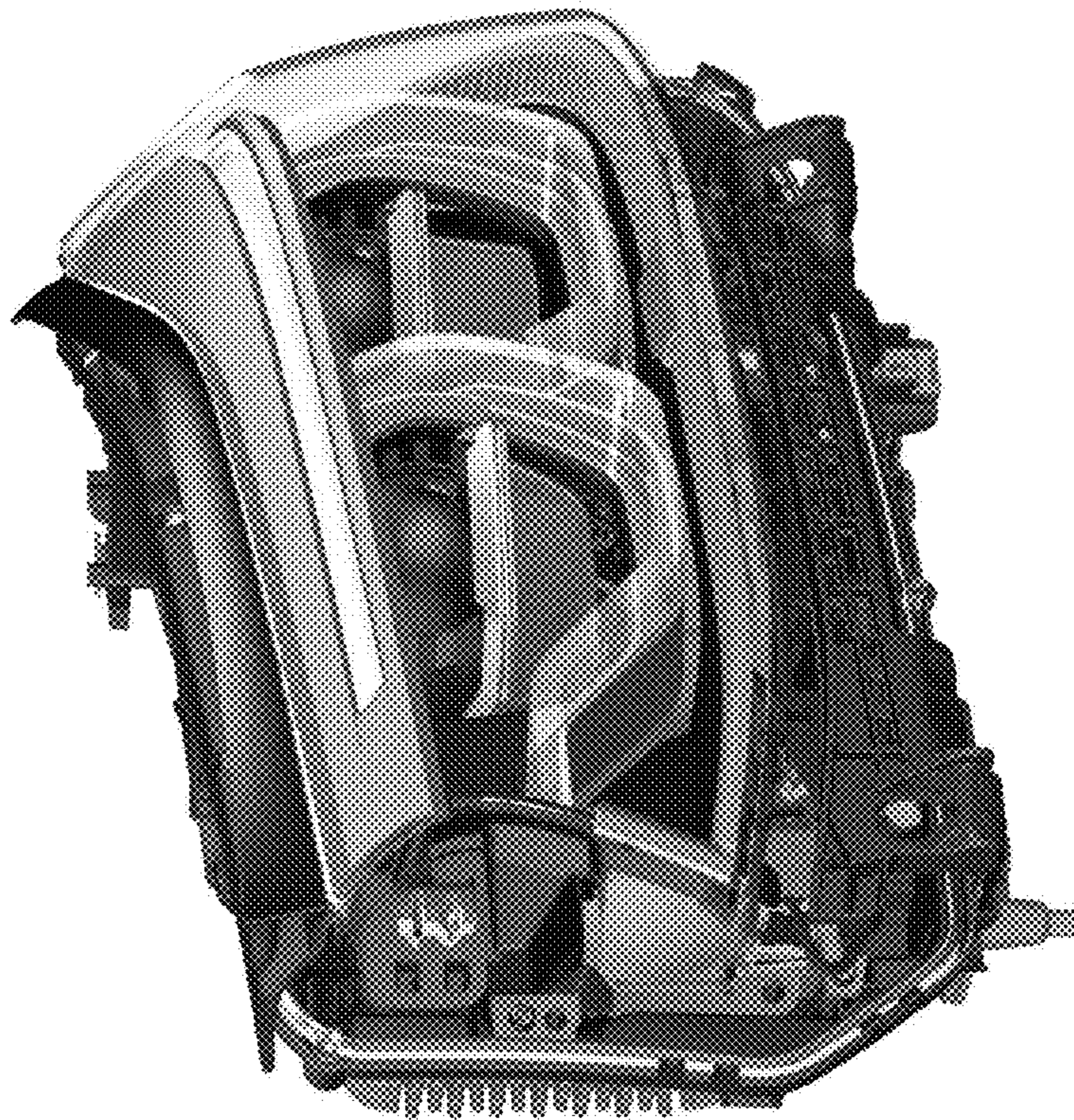


Fig. 3

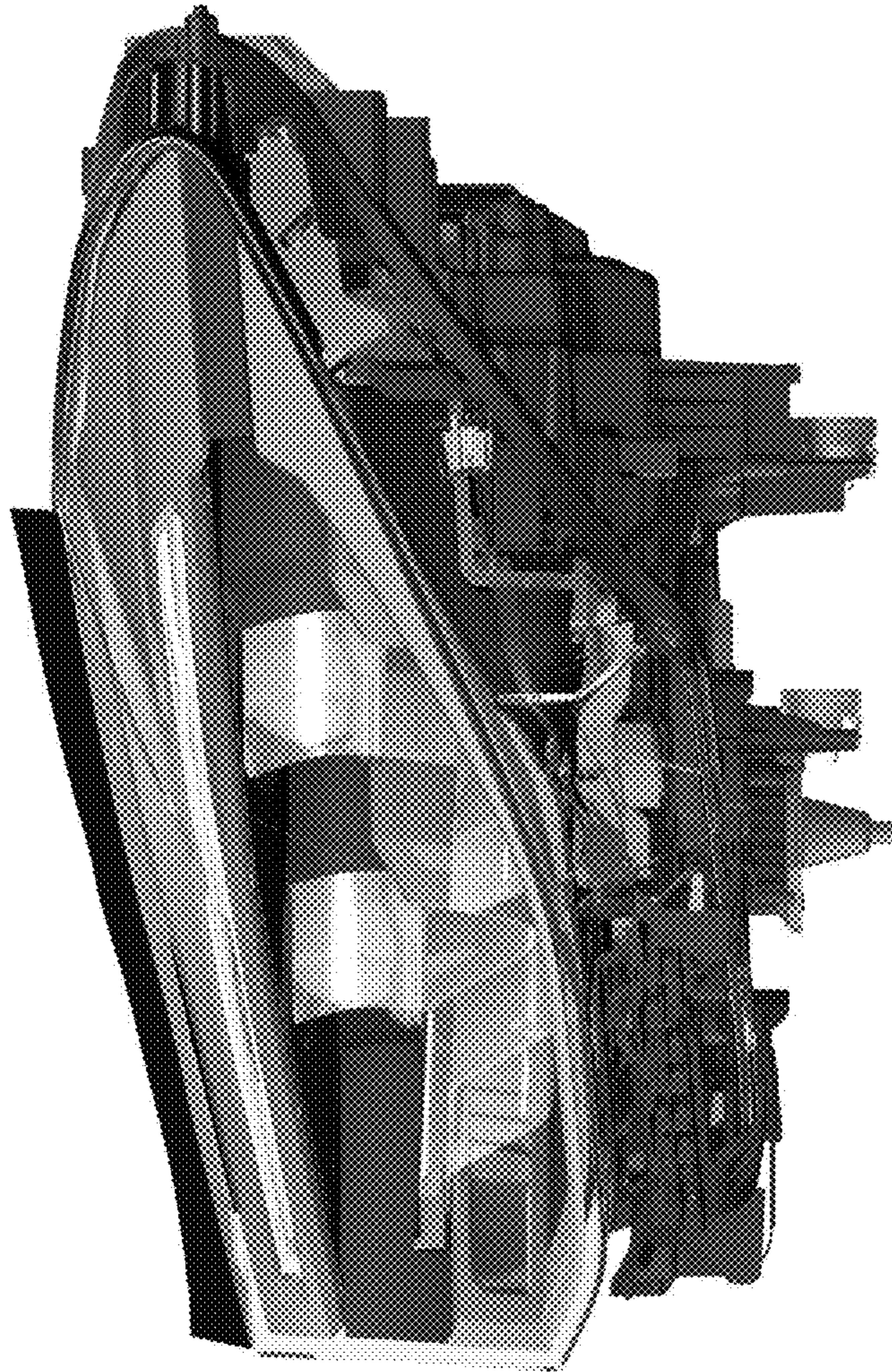


Fig. 4

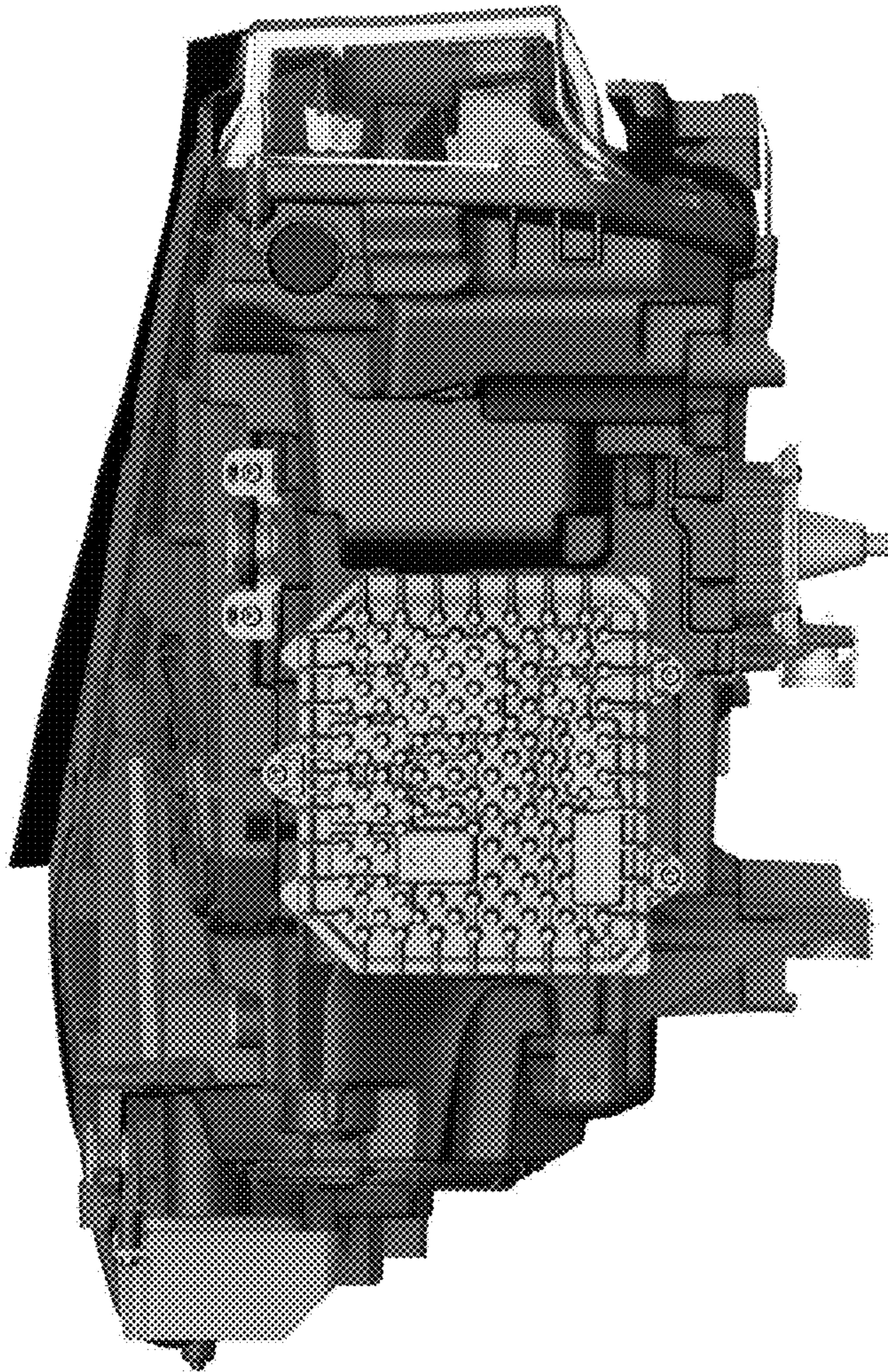


Fig. 5

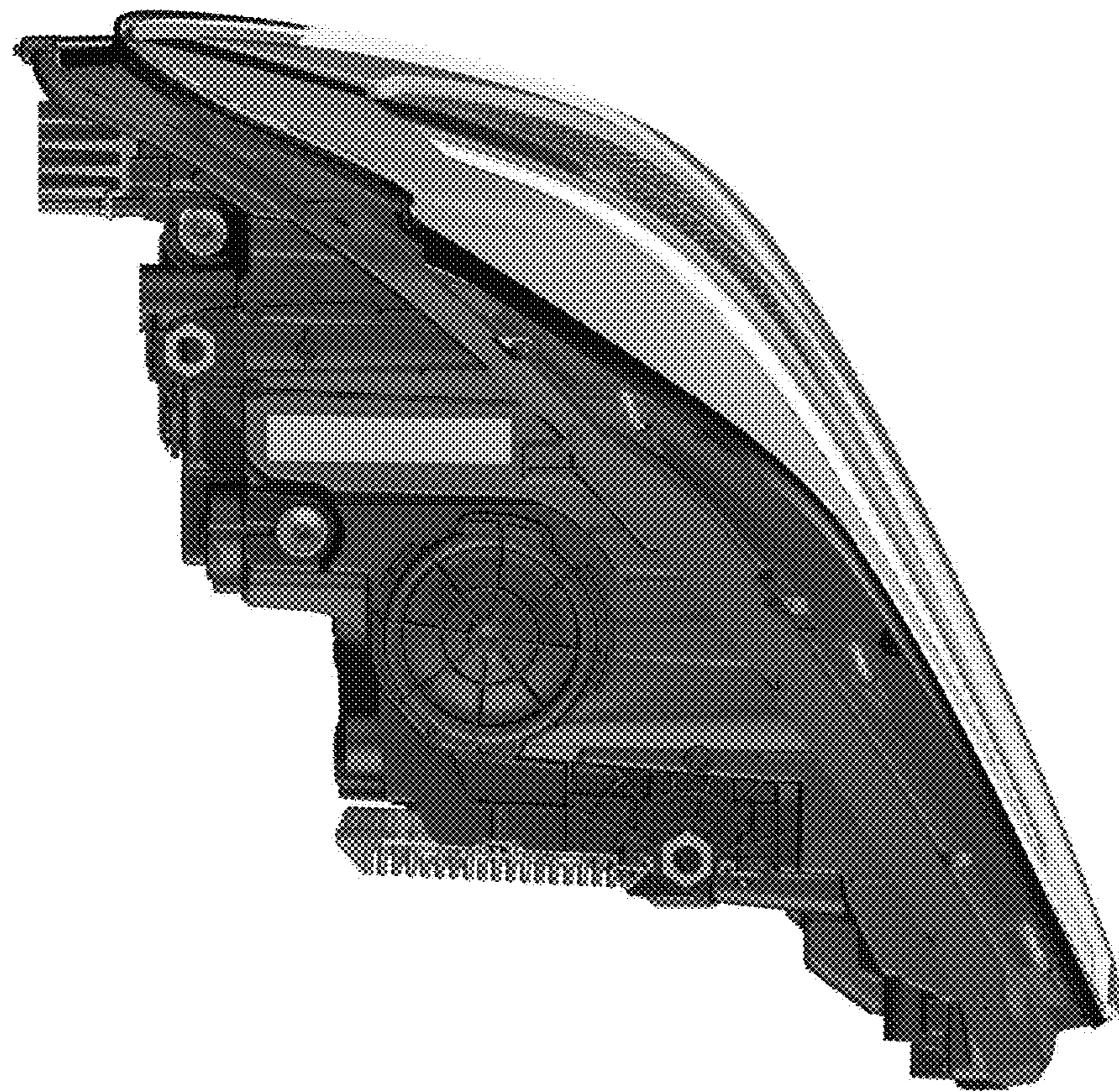


Fig. 6

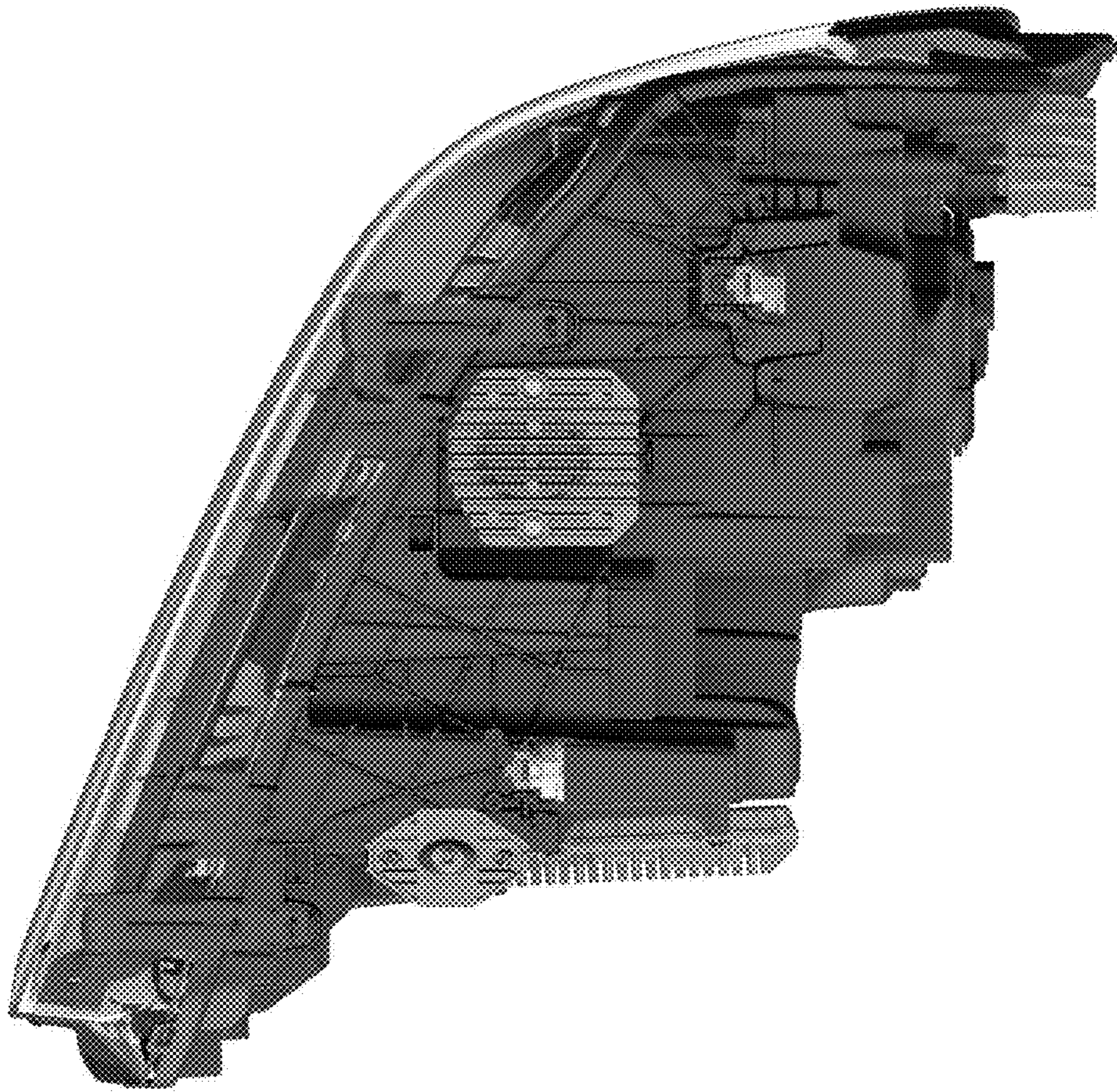


Fig. 7

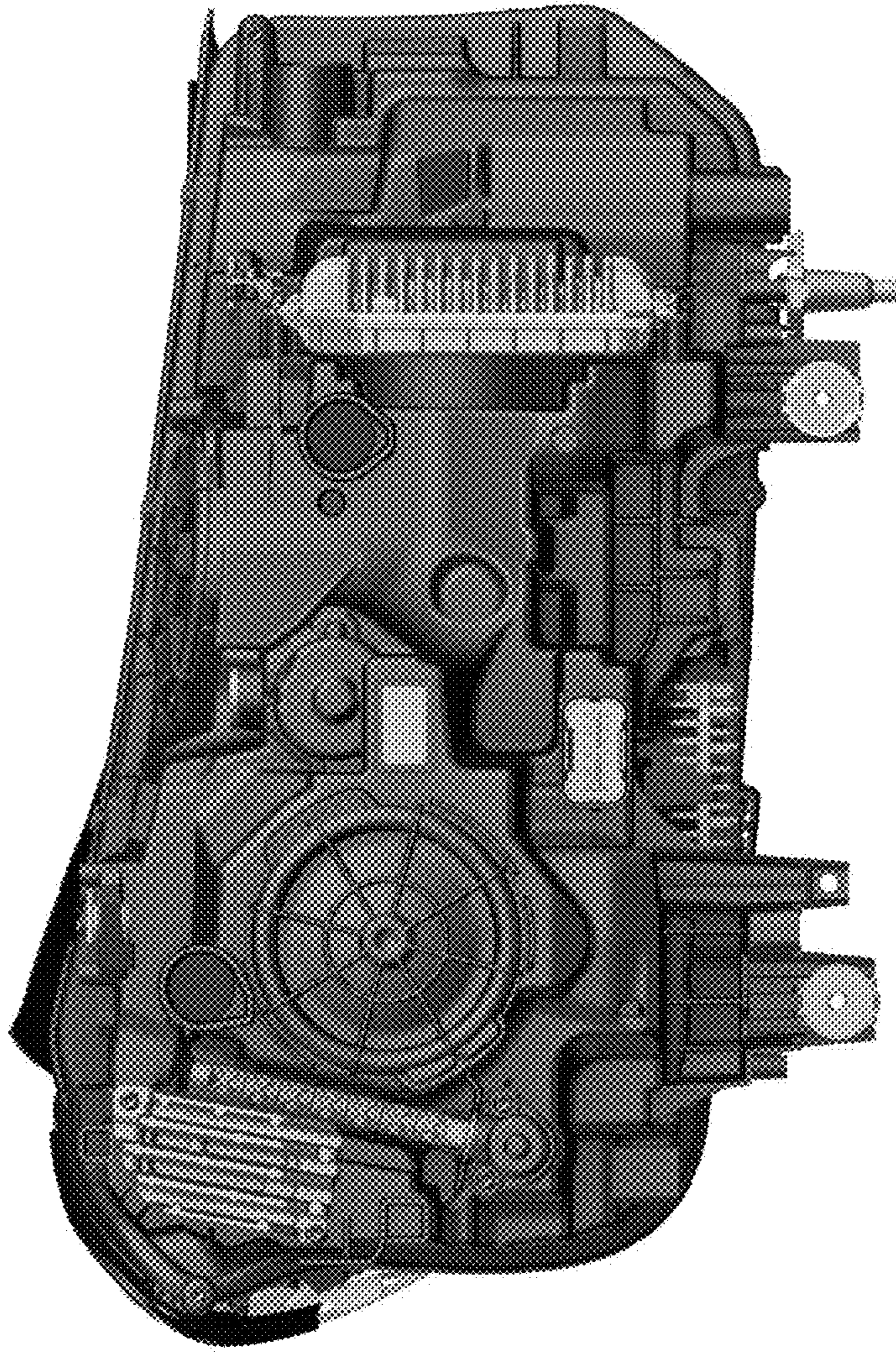


Fig. 8