



US00D827884S

(12) **United States Design Patent** (10) **Patent No.:** **US D827,884 S**
Hannemann (45) **Date of Patent:** **** Sep. 4, 2018**

(54) **HEADLIGHT FOR A VEHICLE**
(71) Applicant: **Bayerische Motoren Werke Aktiengesellschaft, Munich (DE)**
(72) Inventor: **Lisa Hannemann, Munich (DE)**
(73) Assignee: **Bayerisch Motoren Werke Aktiengesellschaft, Munich (DE)**
(**) Term: **15 Years**

(21) Appl. No.: **29/607,497**
(22) Filed: **Jun. 14, 2017**

(30) **Foreign Application Priority Data**
Dec. 20, 2016 (DE) 40 2016 101 504
(51) **LOC (11) Cl.** **26-06**
(52) **U.S. Cl.**
USPC **D26/28**
(58) **Field of Classification Search**
USPC D26/28-36; 362/80-83, 267-269,
362/459-468, 475-478, 485-487
CPC F21S 48/00; F21S 48/10; F21S 48/115;
F21S 48/225; F21S 48/1233; F21S
48/1266; F21S 48/1388; F21S 48/2268;
F21V 21/04
See application file for complete search history.

(56) **References Cited**
U.S. PATENT DOCUMENTS
D674,940 S * 1/2013 Lai D26/28
D686,356 S 7/2013 Morgenstern
D689,222 S * 9/2013 Lai D26/28
D720,870 S * 1/2015 Lim D26/28
D721,196 S * 1/2015 Lai D26/28

D723,724 S 3/2015 Johnson
D736,969 S 8/2015 Selvaag
D739,056 S 9/2015 Nordmann
D739,578 S * 9/2015 Han D26/28
D747,512 S * 1/2016 Lai D26/28
D752,255 S * 3/2016 Futschik D26/28

FOREIGN PATENT DOCUMENTS

WO WO DM/076561 2/2012
* cited by examiner

Primary Examiner — Marcus Jackson
(74) *Attorney, Agent, or Firm* — Crowell & Moring LLP

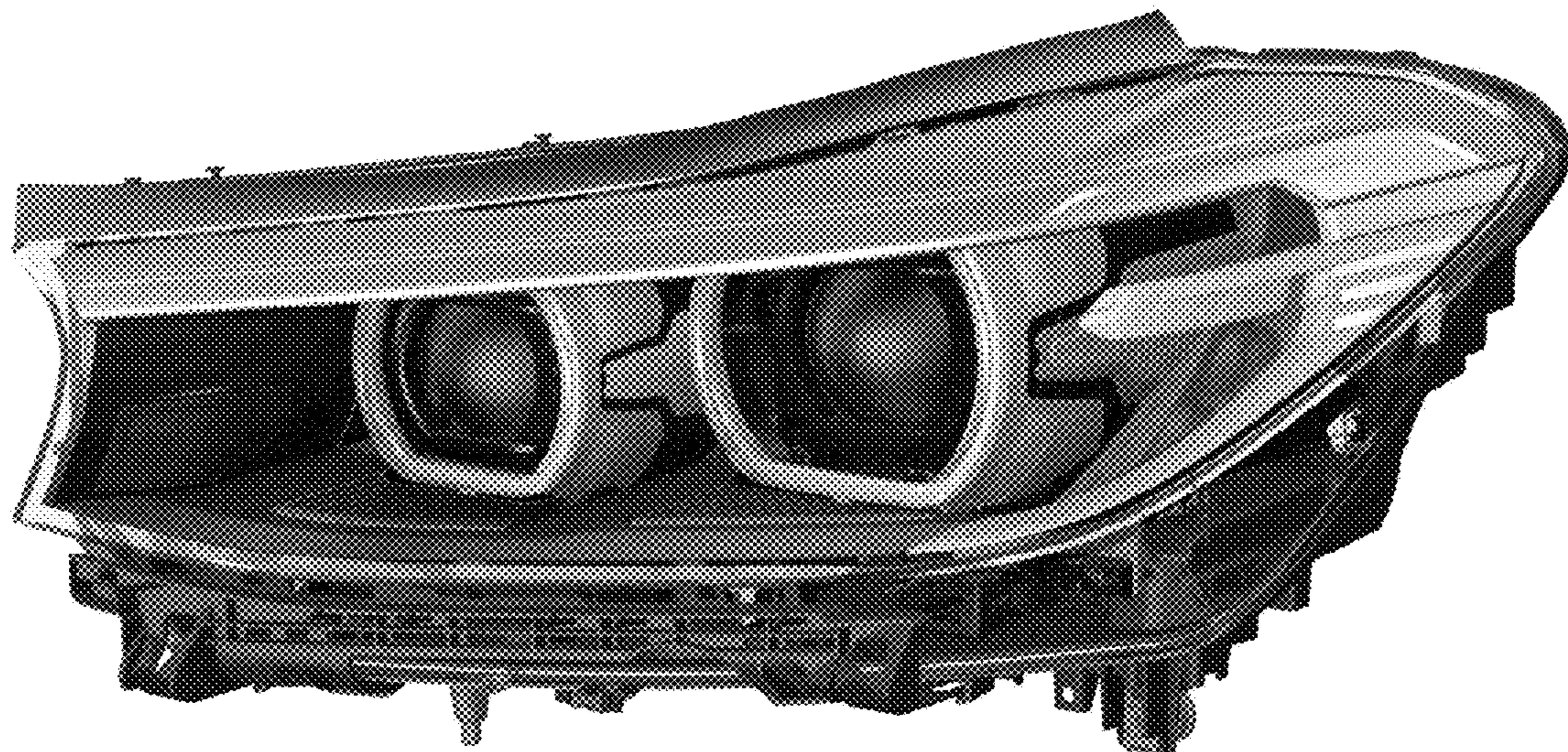
(57) **CLAIM**

The ornamental design for a headlight for a vehicle, as shown and described.

DESCRIPTION

This application contains subject matter related to the following co-pending U.S. design patent applications: Application Ser. No. 29/607,492, filed herewith and entitled "Vehicle, Toy, and/or Replicas Thereof" and Application Ser. No. 29/607,498, filed herewith and entitled "Headlight for a Vehicle".
FIG. 1 is a front view of a headlight for a vehicle according to the design;
FIG. 2 is a right perspective view thereof;
FIG. 3 is a left perspective view thereof;
FIG. 4 is a right side view thereof;
FIG. 5 is a left side view thereof;
FIG. 6 is a top view thereof;
FIG. 7 is a bottom view thereof; and,
FIG. 8 is a rear view thereof.

1 Claim, 8 Drawing Sheets



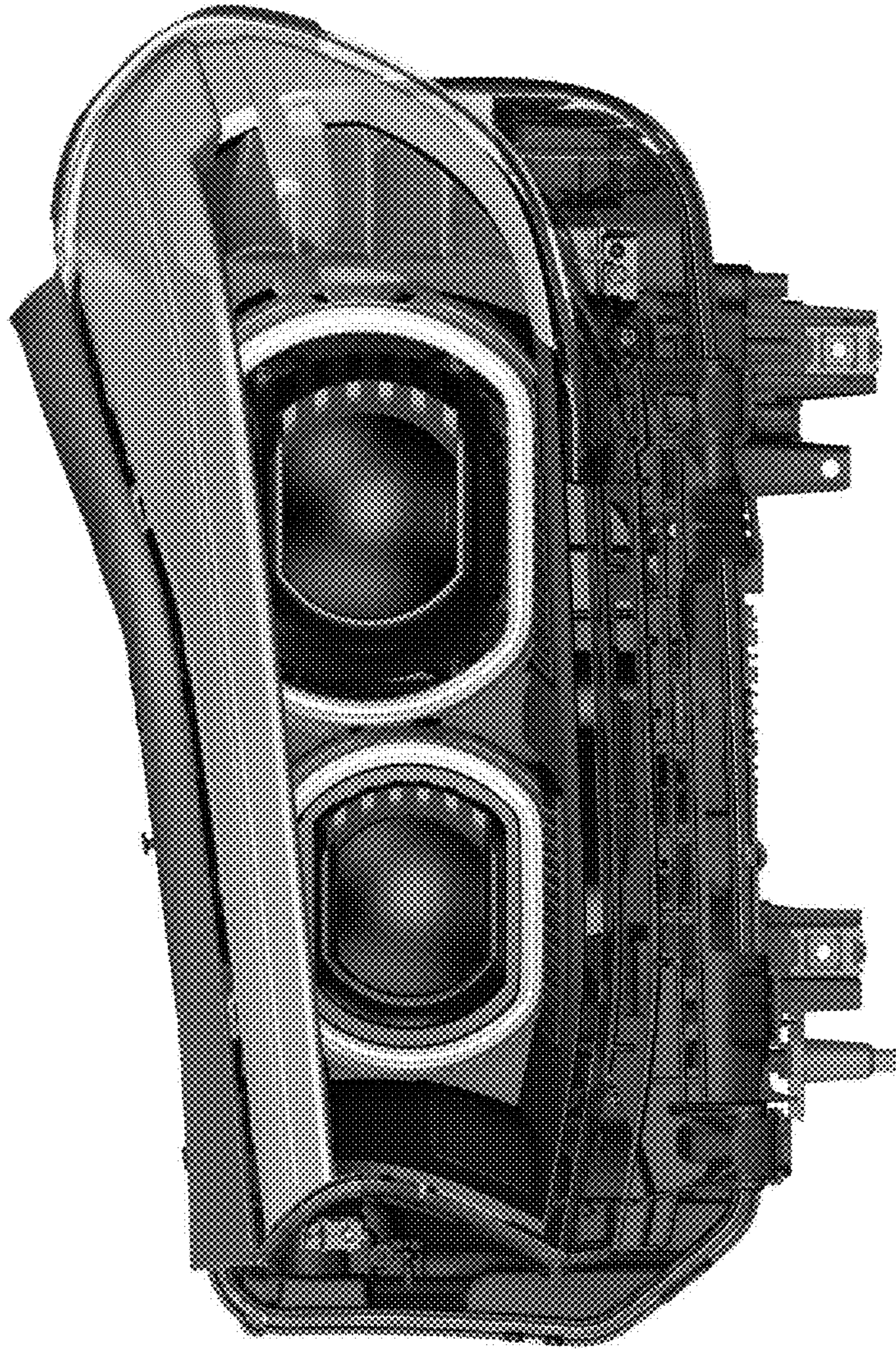


Fig. 1

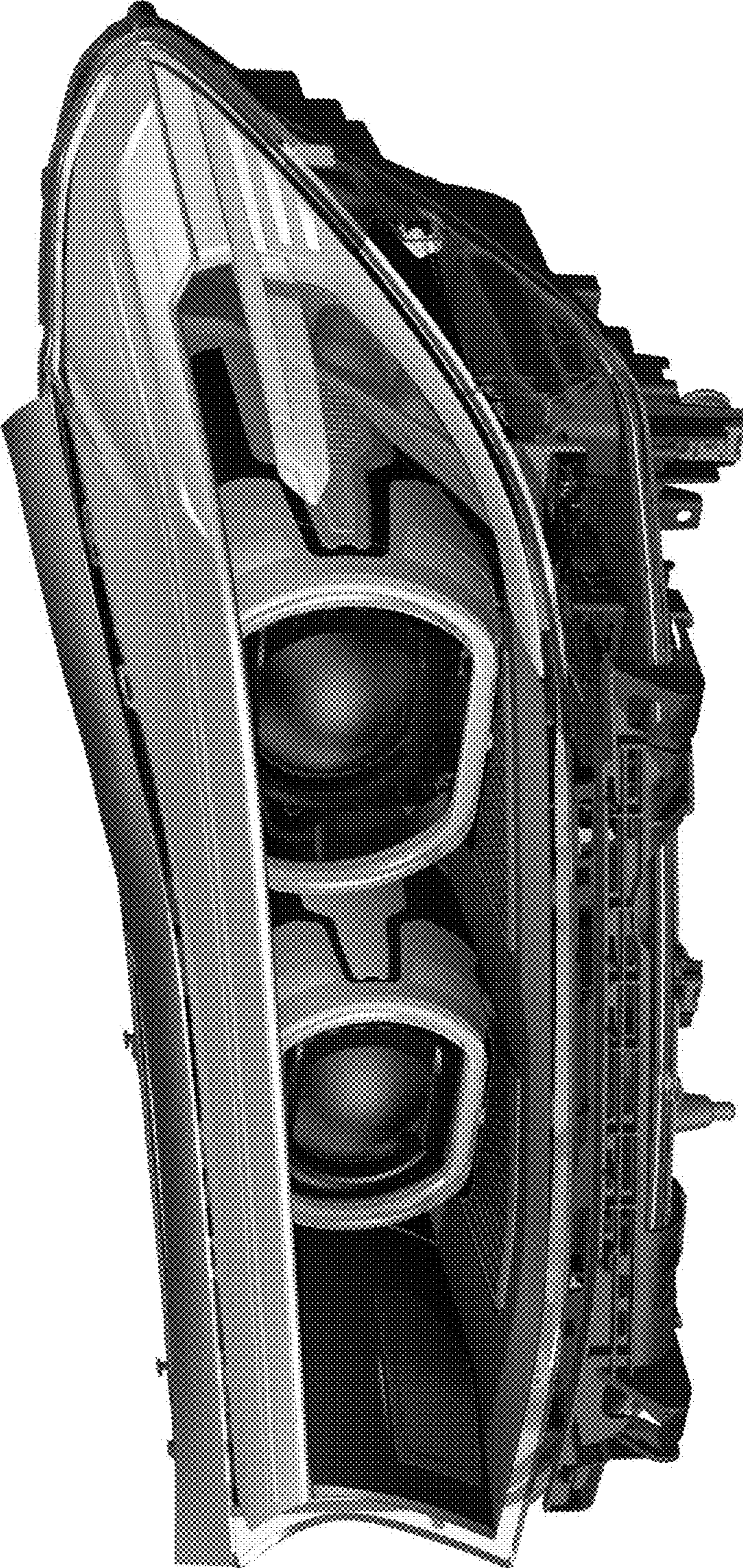


Fig. 2

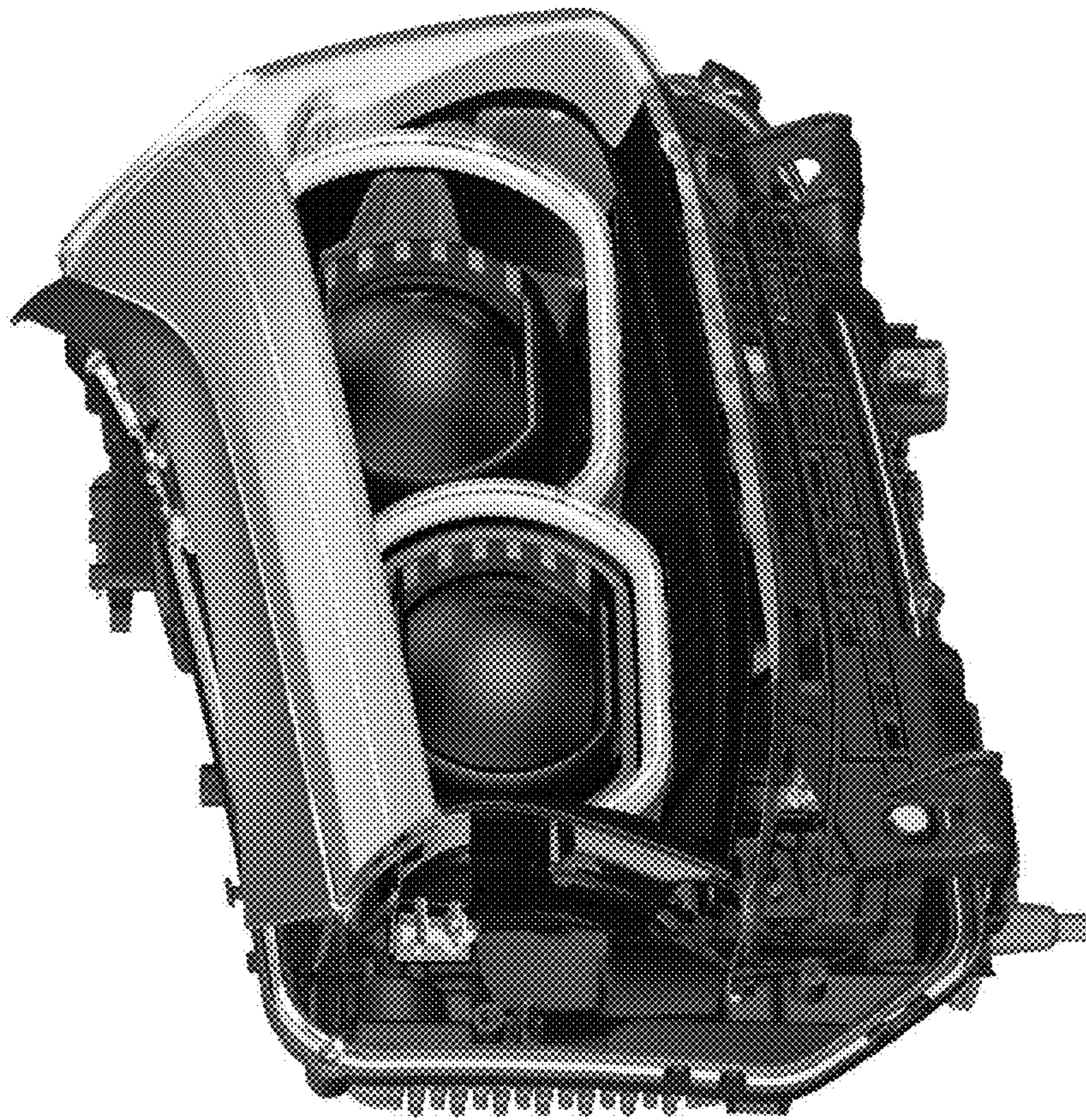


Fig. 3

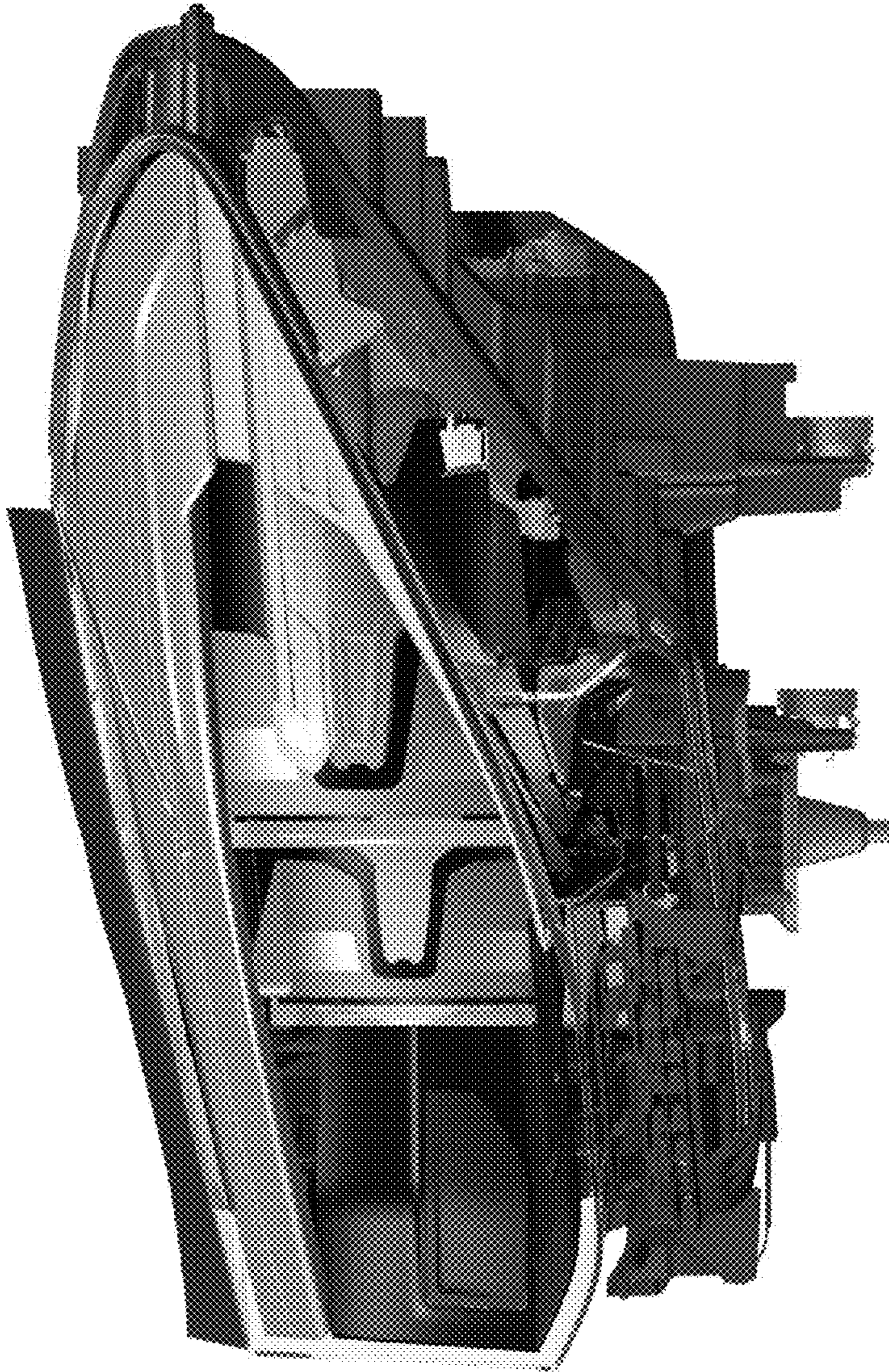


Fig. 4

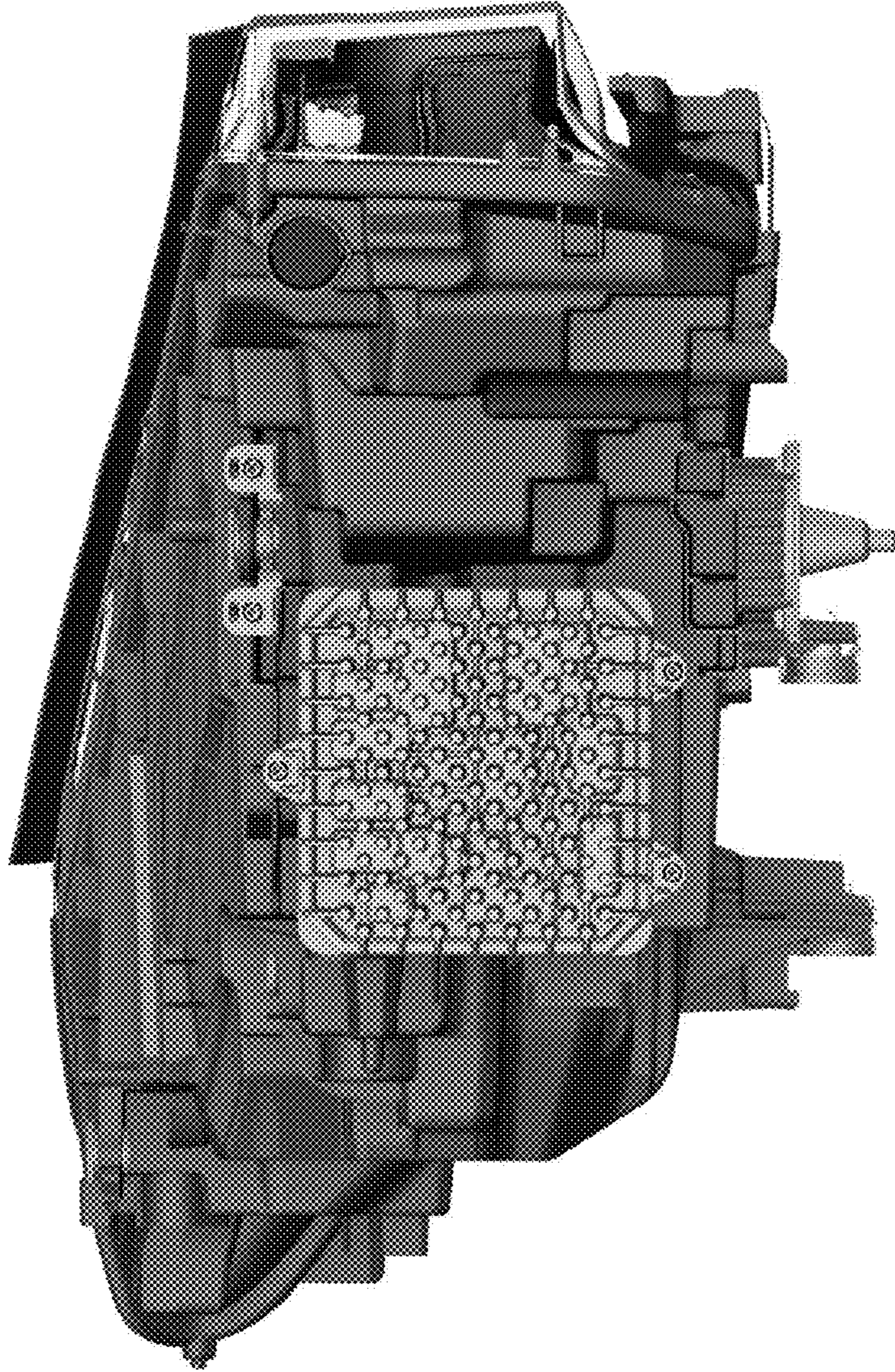


Fig. 5

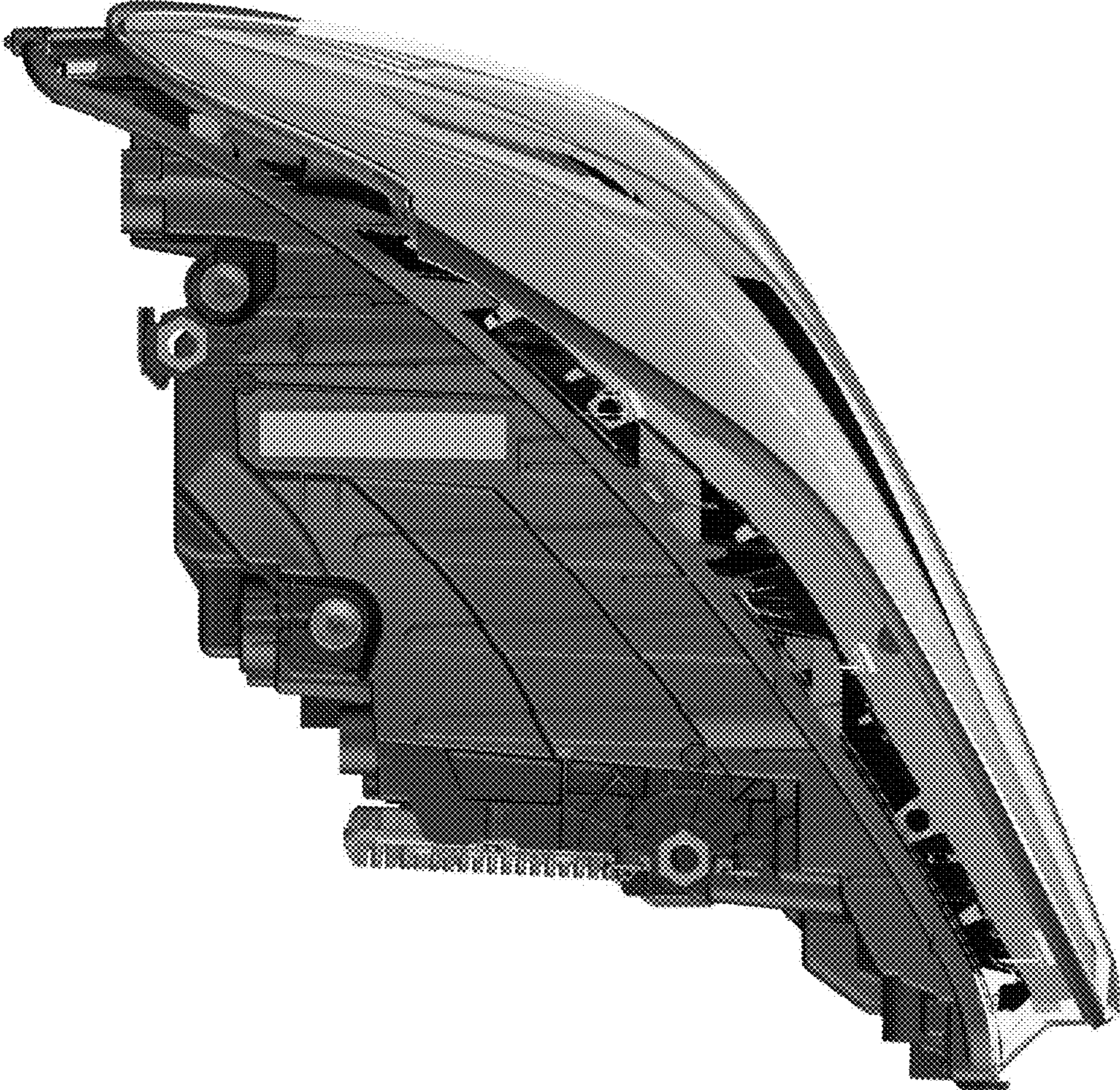


Fig. 6

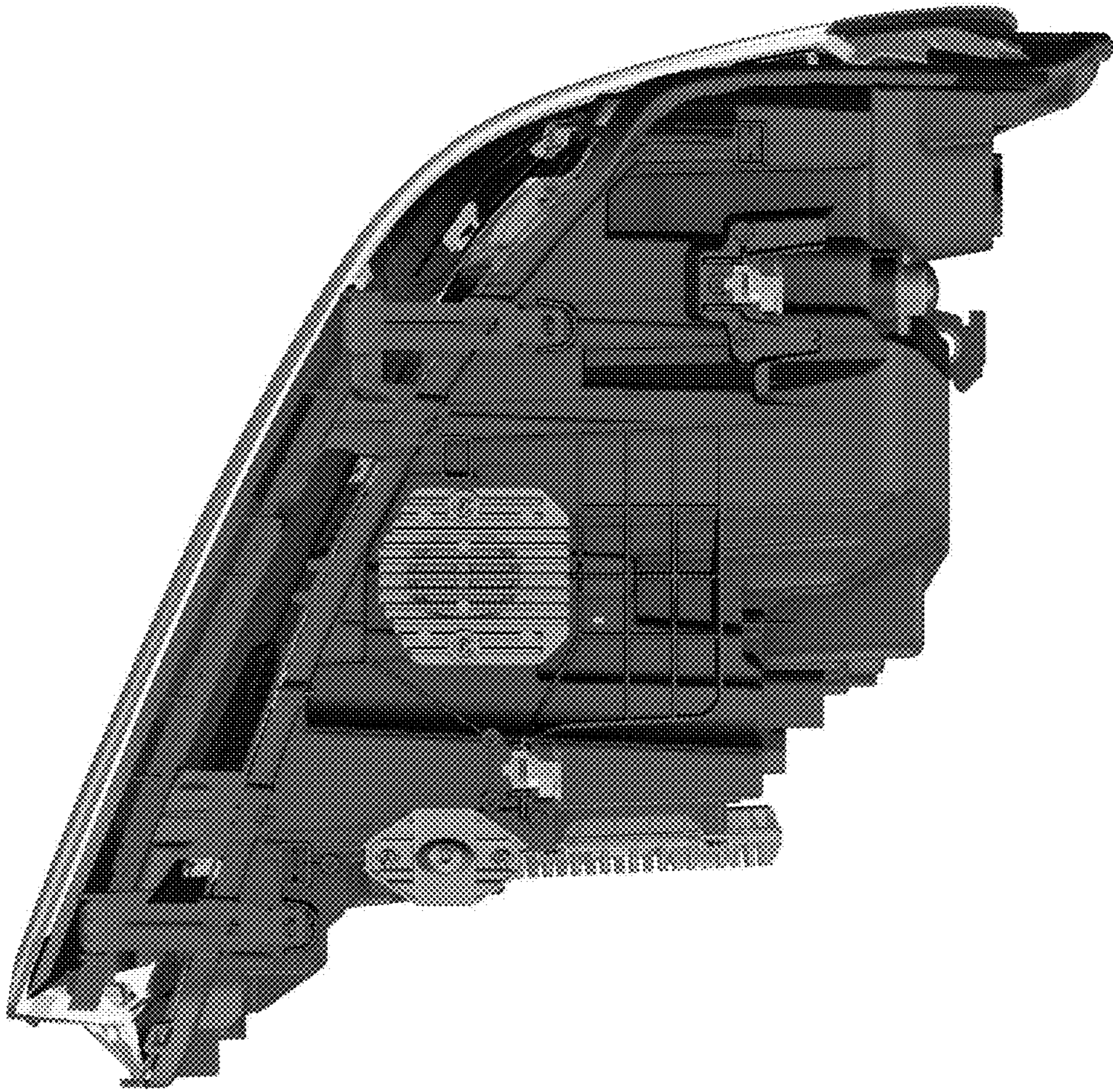


Fig. 7

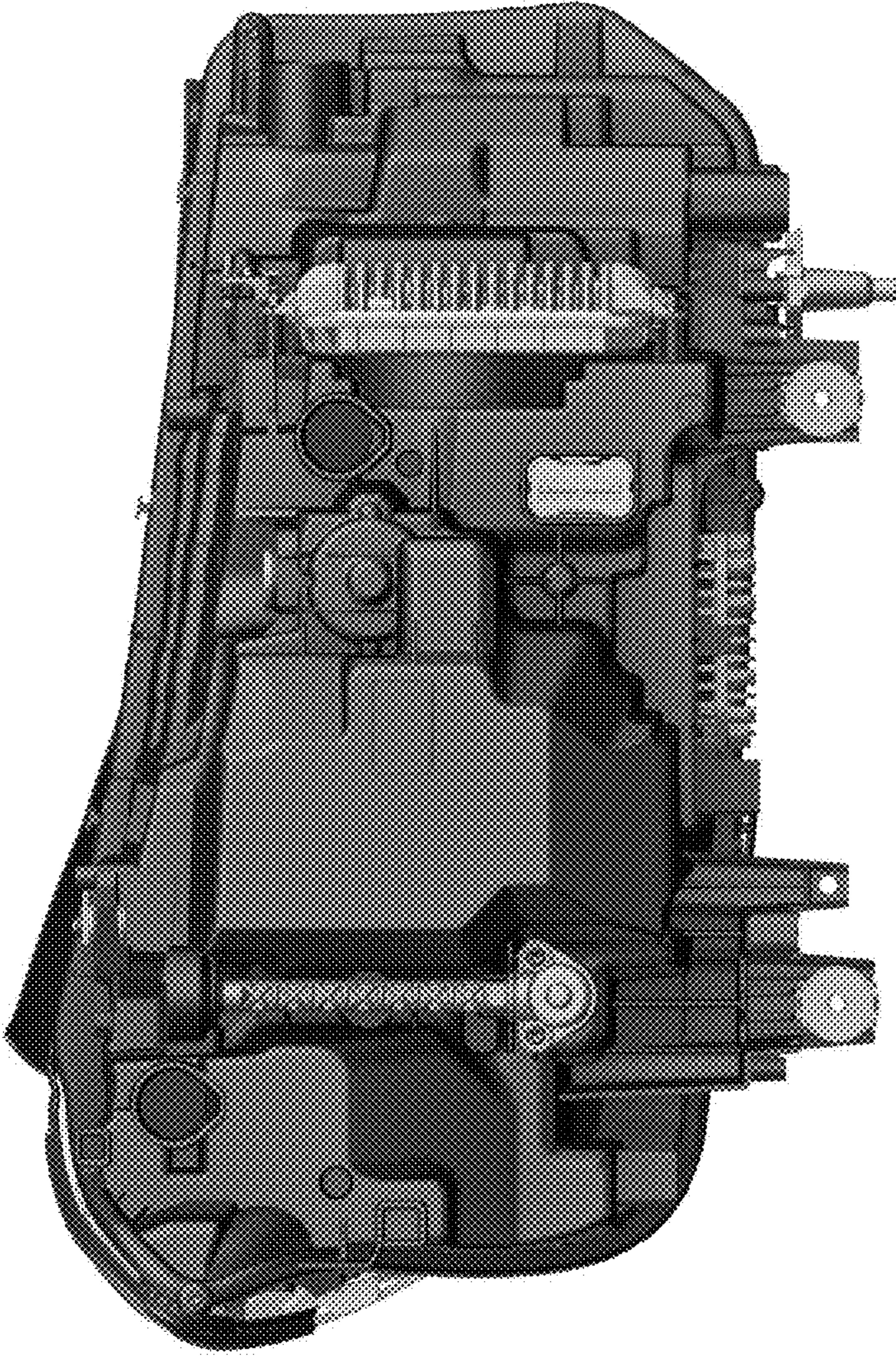


Fig. 8