



US00D827882S

(12) **United States Design Patent** (10) **Patent No.:** **US D827,882 S**
Baaske et al. (45) **Date of Patent:** **** Sep. 4, 2018**

(54) **HEADLIGHT FOR A VEHICLE**

Primary Examiner — Marcus Jackson

(71) Applicant: **Daimler AG**, Stuttgart (DE)

(74) *Attorney, Agent, or Firm* — Crowell & Moring LLP

(72) Inventors: **Julie Baaske**, Stuttgart (DE); **Achim Badstuebner**, Munich (DE); **Stefan Handt**, Stuttgart (DE); **Robert Lesnik**, Leonberg (DE); **Frederic Seemann**, Stuttgart (DE)

(57) **CLAIM**

The ornamental design for a headlight for a vehicle, as shown and described.

(73) Assignee: **Daimler AG**, Stuttgart (DE)

(**) Term: **15 Years**

DESCRIPTION

(21) Appl. No.: **29/584,254**

This application contains subject matter related to the following co-pending U.S. design patent application:

(22) Filed: **Nov. 14, 2016**

Application Ser. No. 29/584,255, filed herewith and entitled "Headlight for a Vehicle".

(30) **Foreign Application Priority Data**

May 18, 2016 (WO) DM/090902

FIG. 1 is a front elevational view of a first embodiment of a headlight for a vehicle according to the design;

(51) **LOC (11) Cl.** **26-06**

FIG. 2 is a right, front perspective view thereof; and

(52) **U.S. Cl.**
USPC **D26/28**

FIG. 3 is a right side view thereof.

(58) **Field of Classification Search**
USPC D26/28-36; 362/80-83, 267-269, 362/459-468, 475-478, 485-487
CPC F21S 48/00; F21S 48/10; F21S 48/115; F21S 48/225; F21S 48/1233; F21S 48/1266; F21S 48/1388; F21S 48/2268; F21V 21/04

FIG. 4 is a front elevational view of a second embodiment of the headlight for a vehicle, with the headlight for a vehicle for the opposite side of the vehicle being depicted in the first embodiment;

See application file for complete search history.

FIG. 5 is a left, front perspective view thereof; and

(56) **References Cited**

U.S. PATENT DOCUMENTS

D528,231 S * 9/2006 Ikeda D26/28
D528,686 S * 9/2006 Kato D26/28
D529,208 S * 9/2006 Ikeda D26/28
D535,409 S * 1/2007 Yamaguchi D26/28
D744,129 S 11/2015 Futschik et al.
D769,492 S 10/2016 Futschik et al.
D769,493 S 10/2016 Futschik et al.

FIG. 6 is a left side view thereof.

FIG. 7 is a front elevational view of a third embodiment of the headlight for a vehicle according to the design;

FIG. 8 is a right, front perspective view thereof; and

FIG. 9 is a right side view thereof.

FIG. 10 is a front elevational view of a fourth embodiment of the headlight for a vehicle, with the headlight for a vehicle for the opposite side of the vehicle being depicted in the third embodiment.

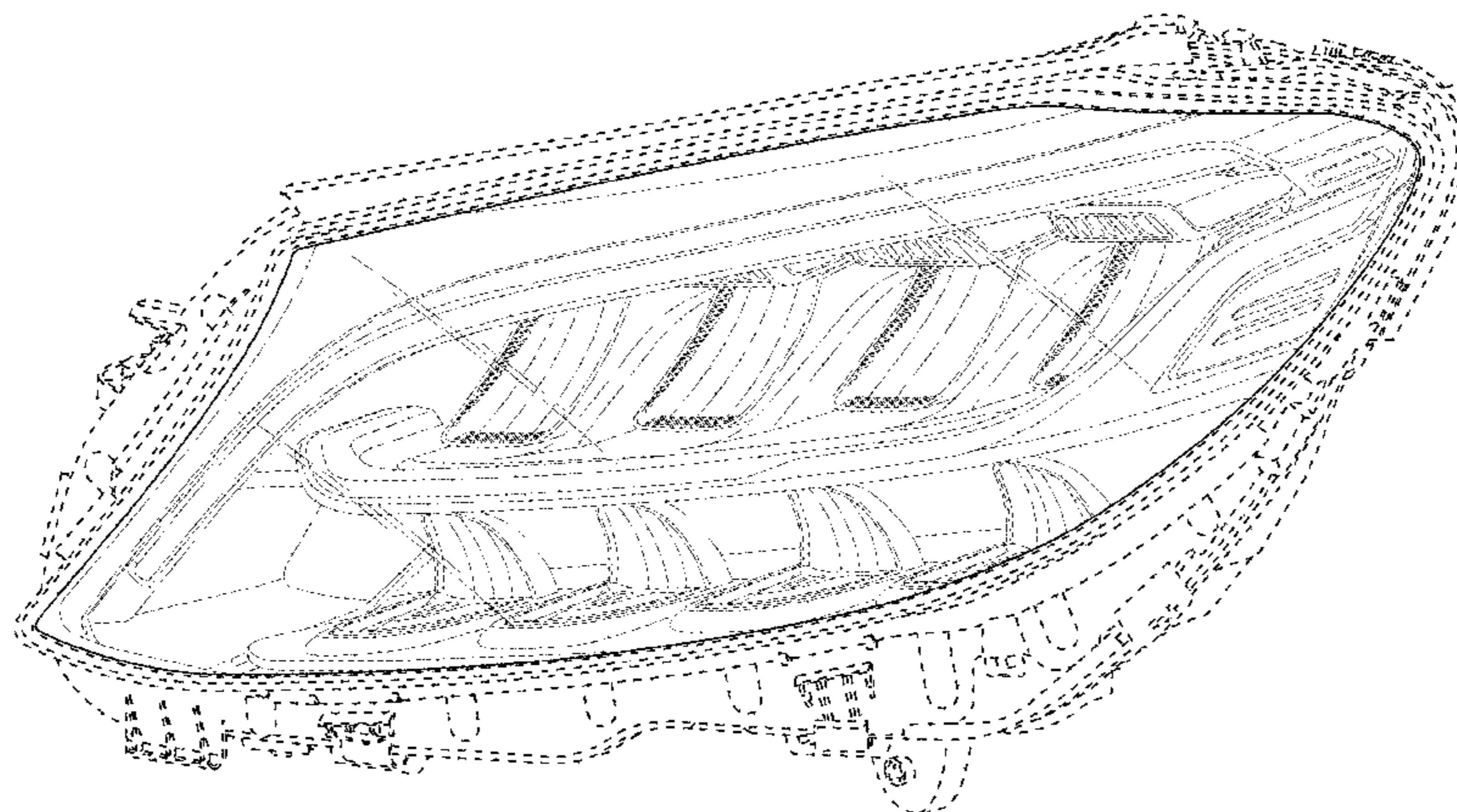
FIG. 11 is a left, front perspective view thereof; and,

FIG. 12 is a left side view thereof.

The broken lines in the drawings illustrate environmental subject matter only and form no part of the claimed design. Also enclosed is a set of photographs of an embodiment of the design.

* cited by examiner

1 Claim, 12 Drawing Sheets



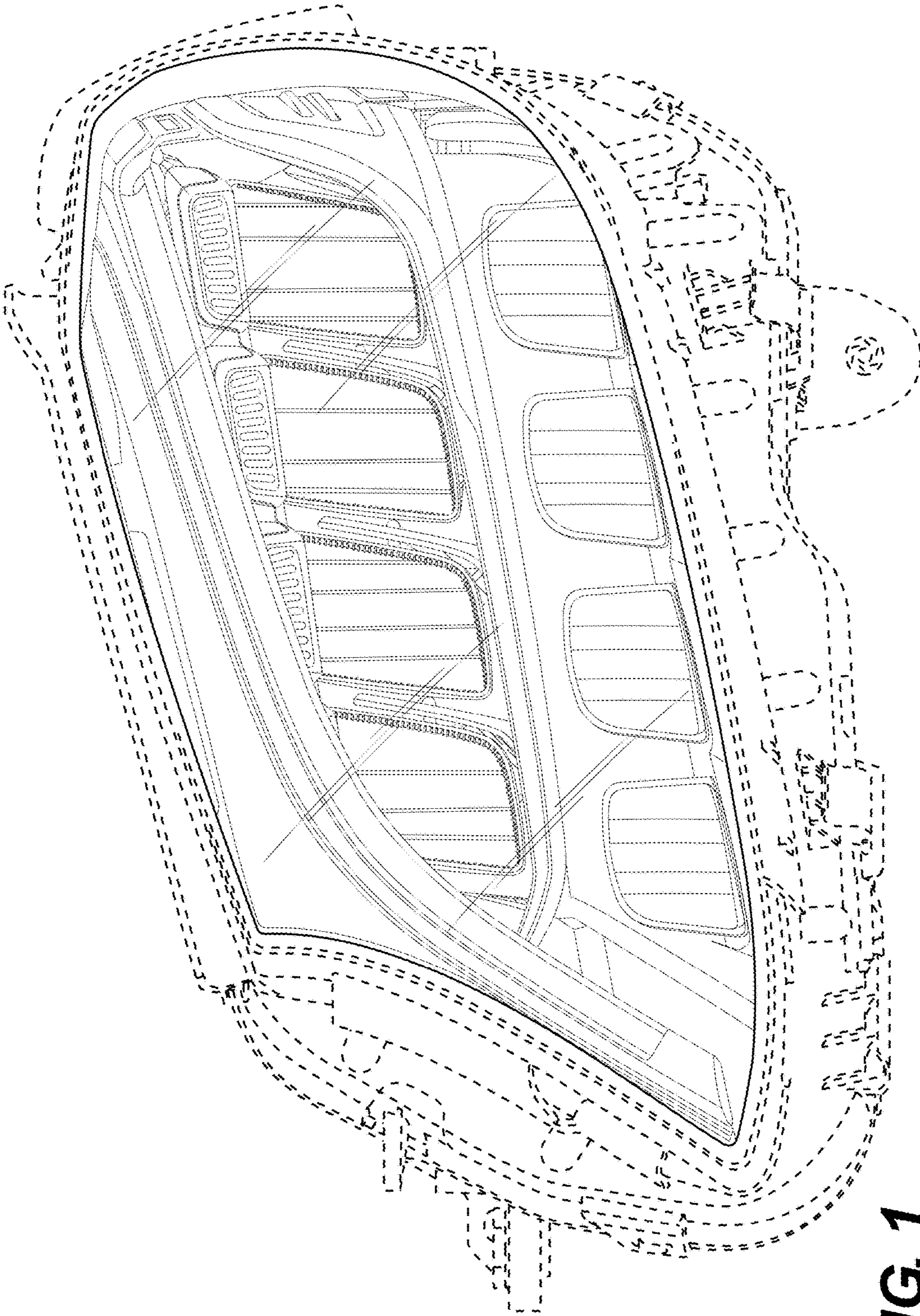


FIG. 1

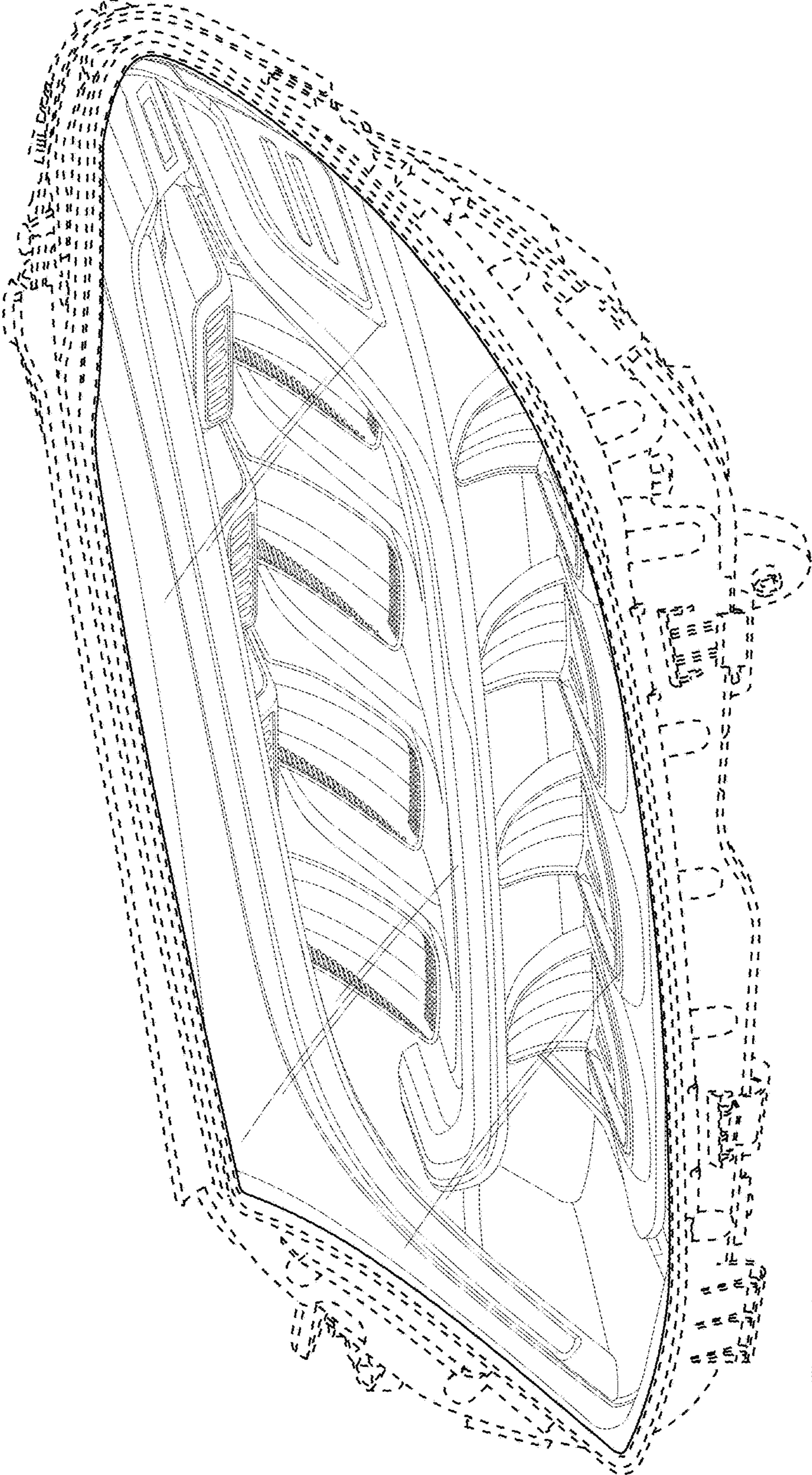


FIG. 2

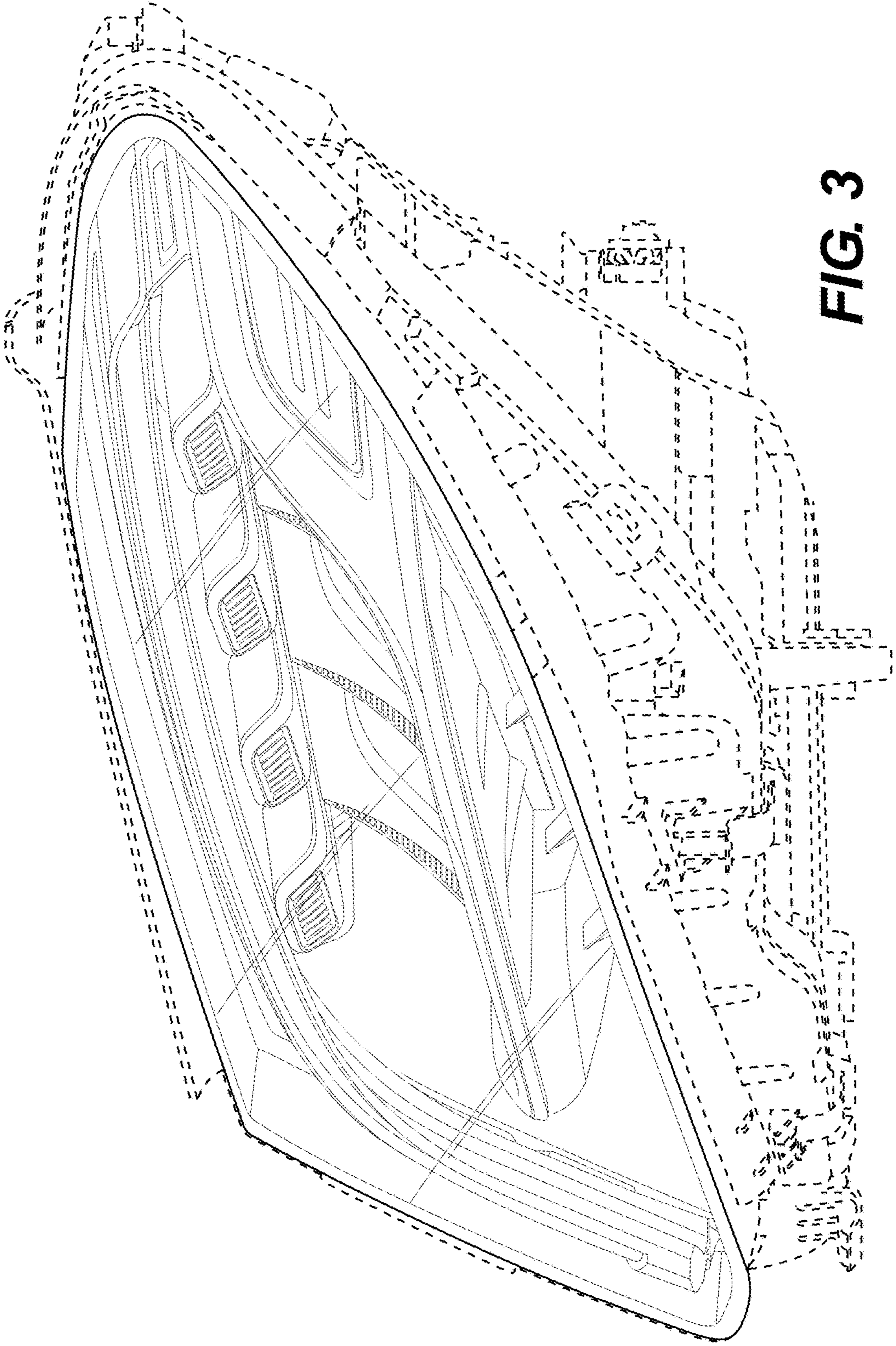


FIG. 3

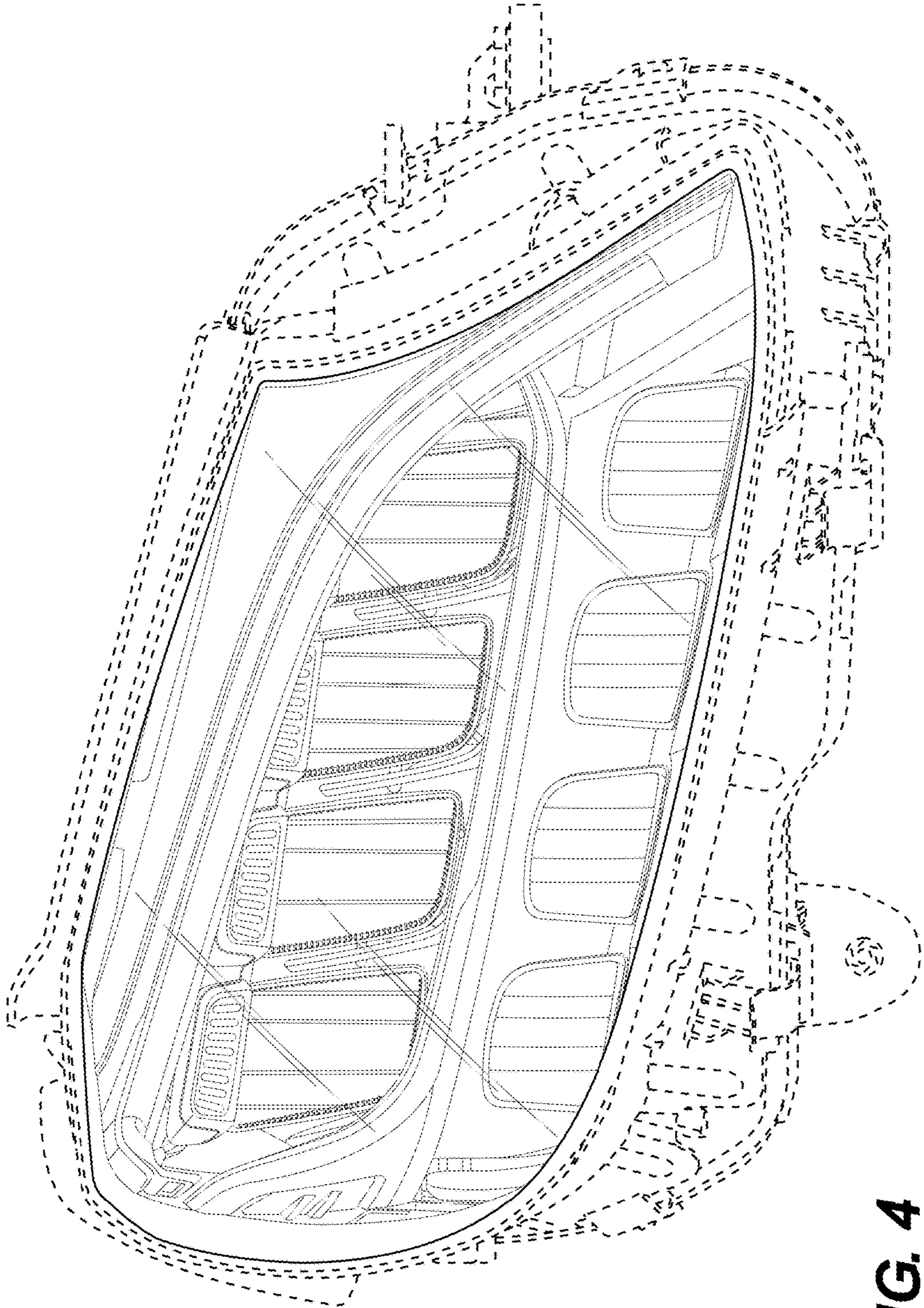


FIG. 4

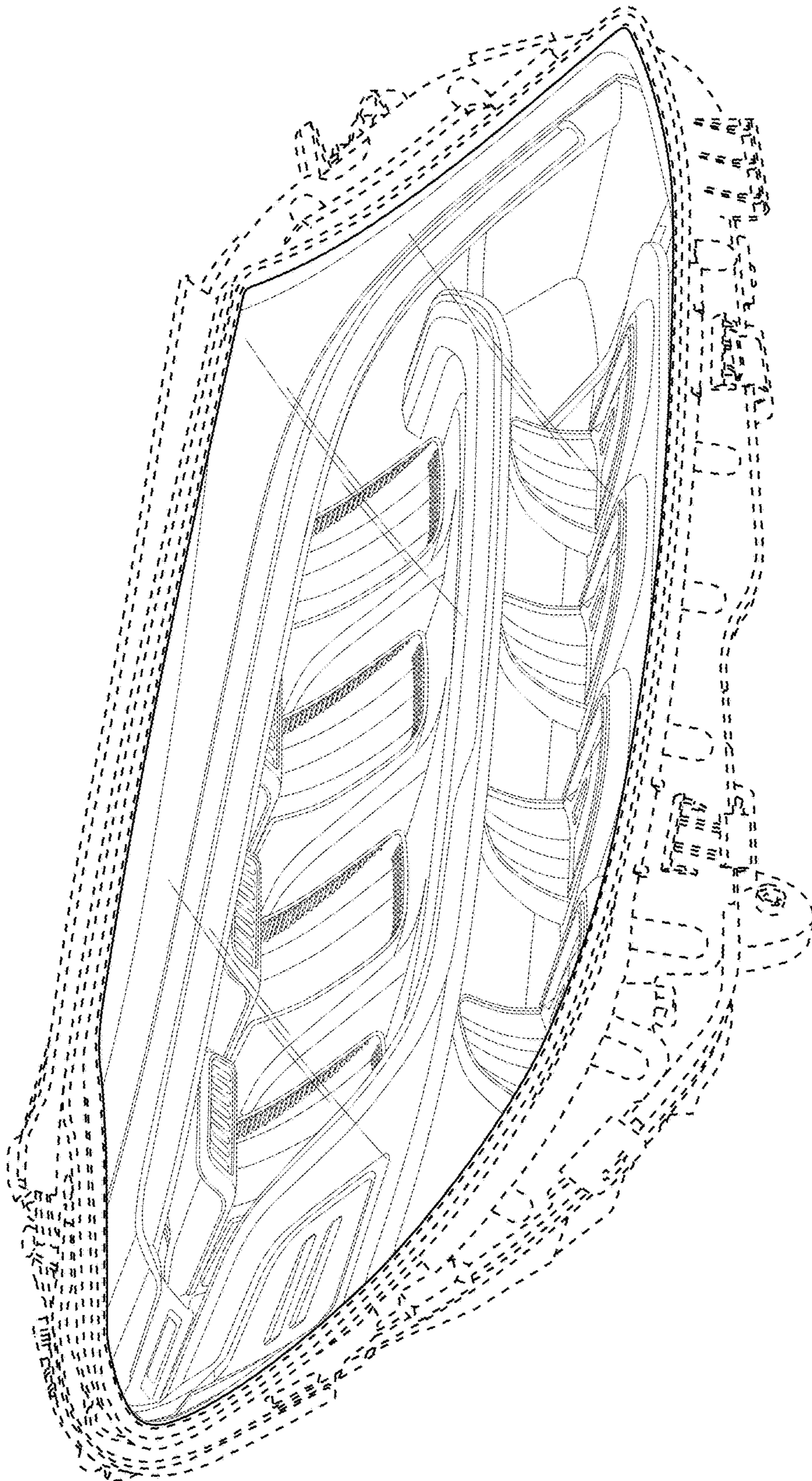


FIG. 5

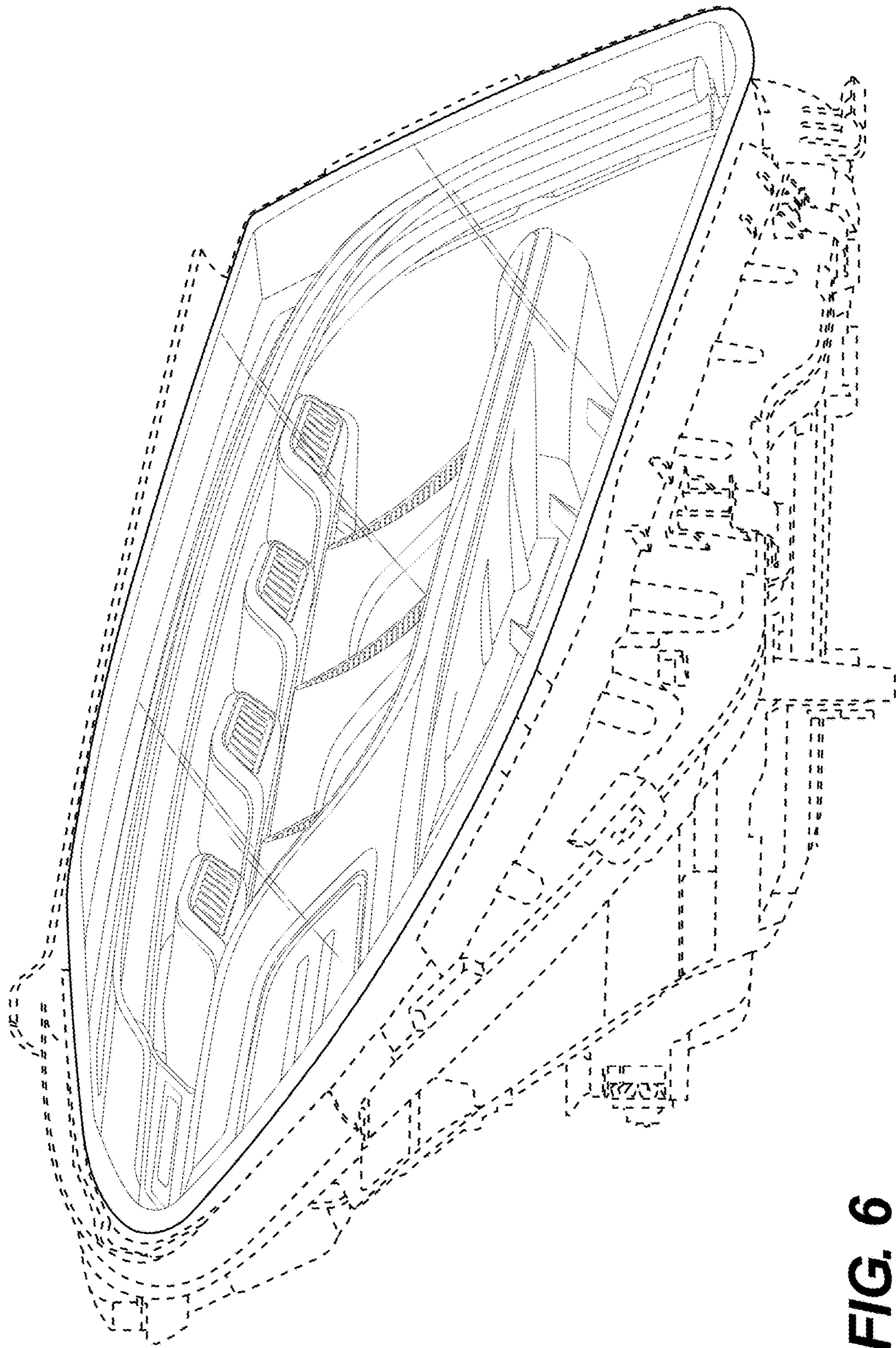


FIG. 6

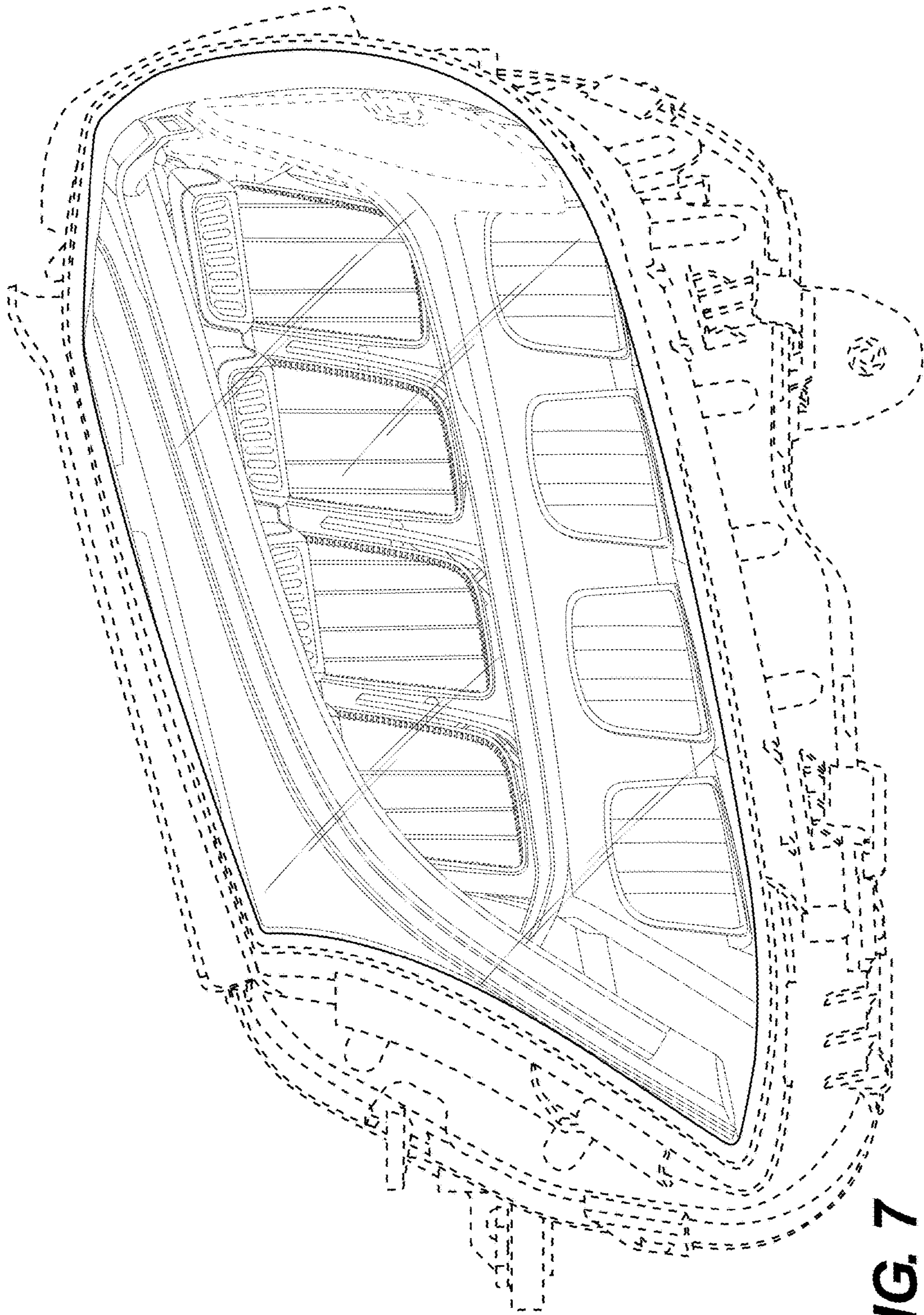


FIG. 7

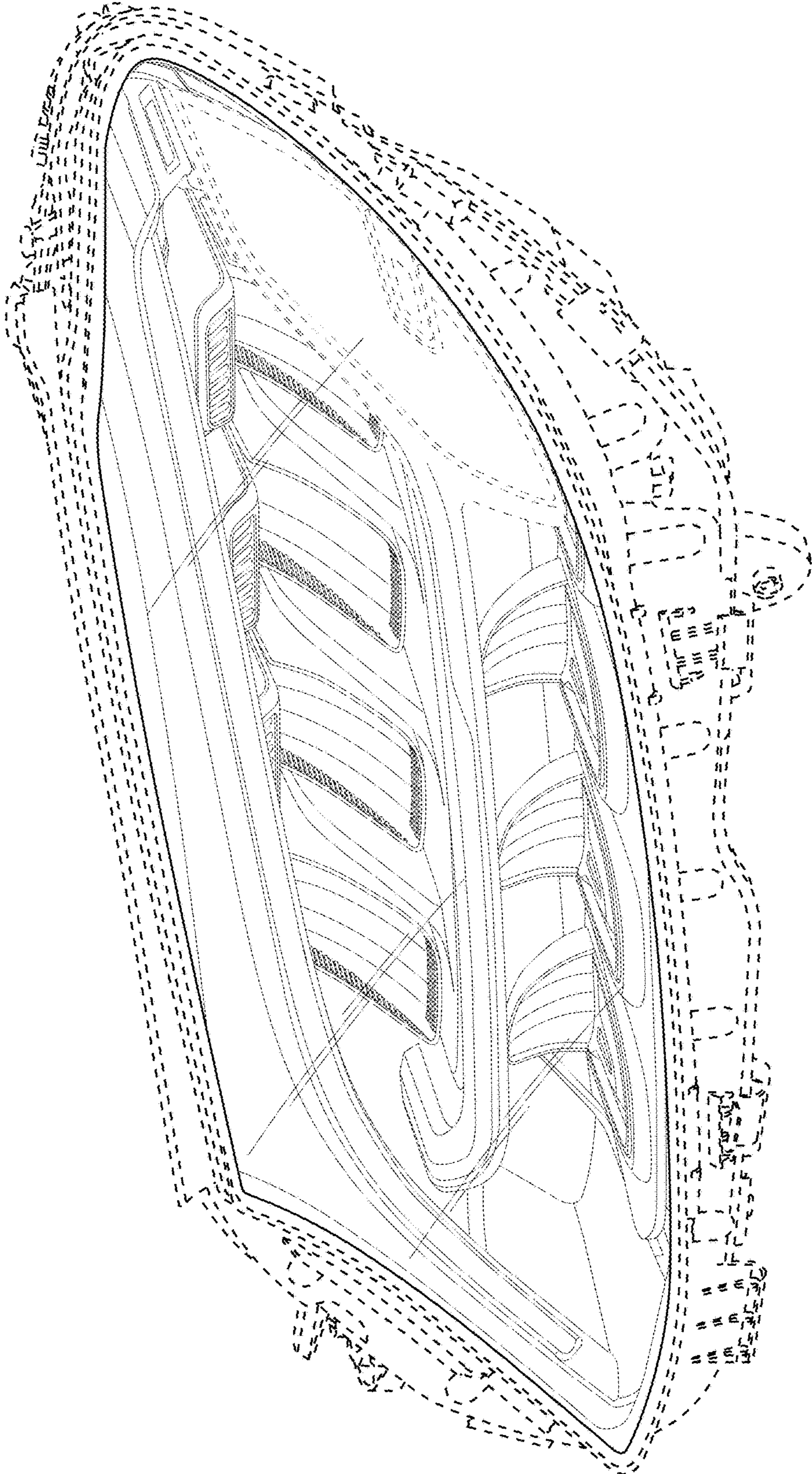


FIG. 8

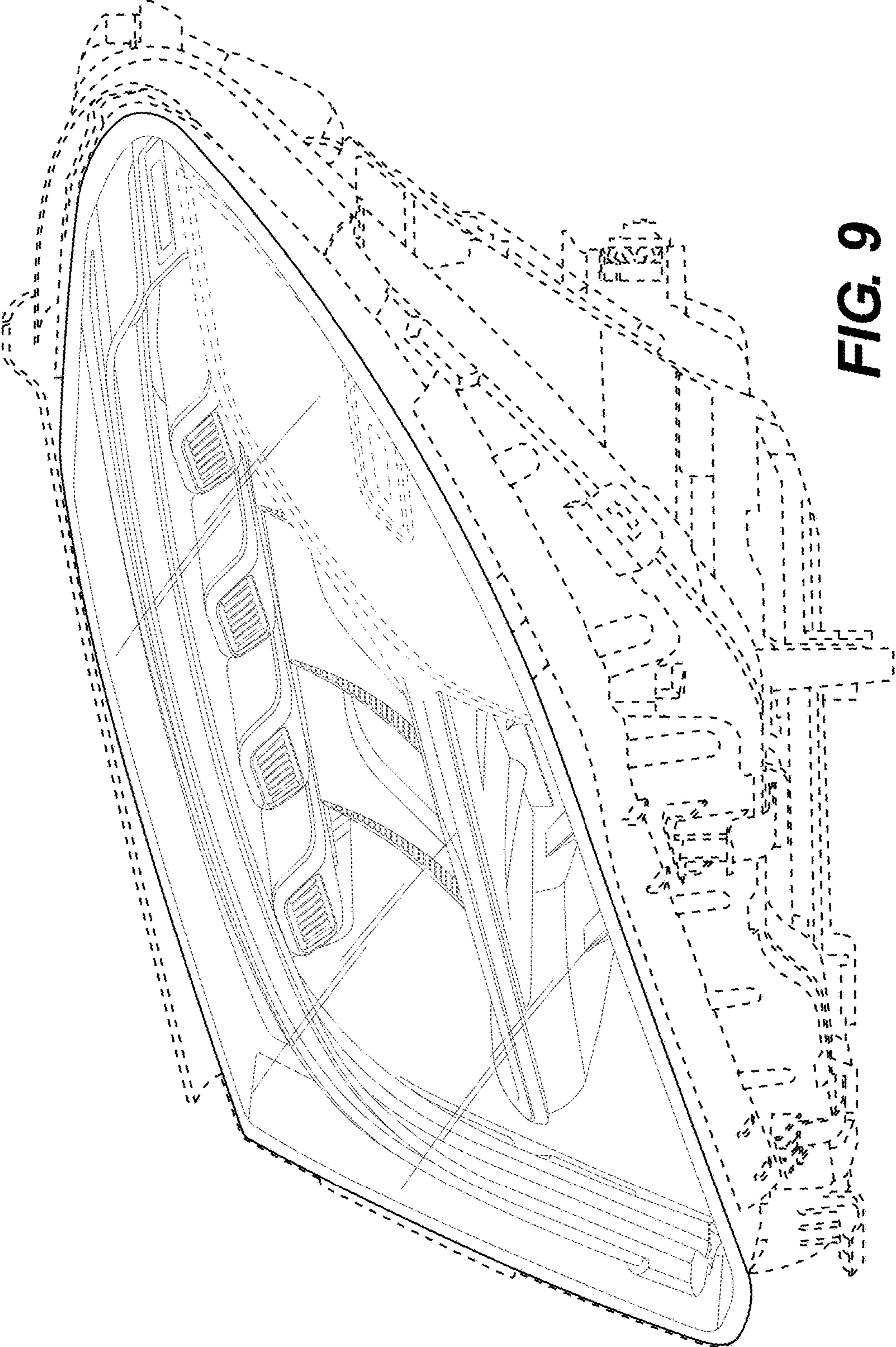


FIG. 9

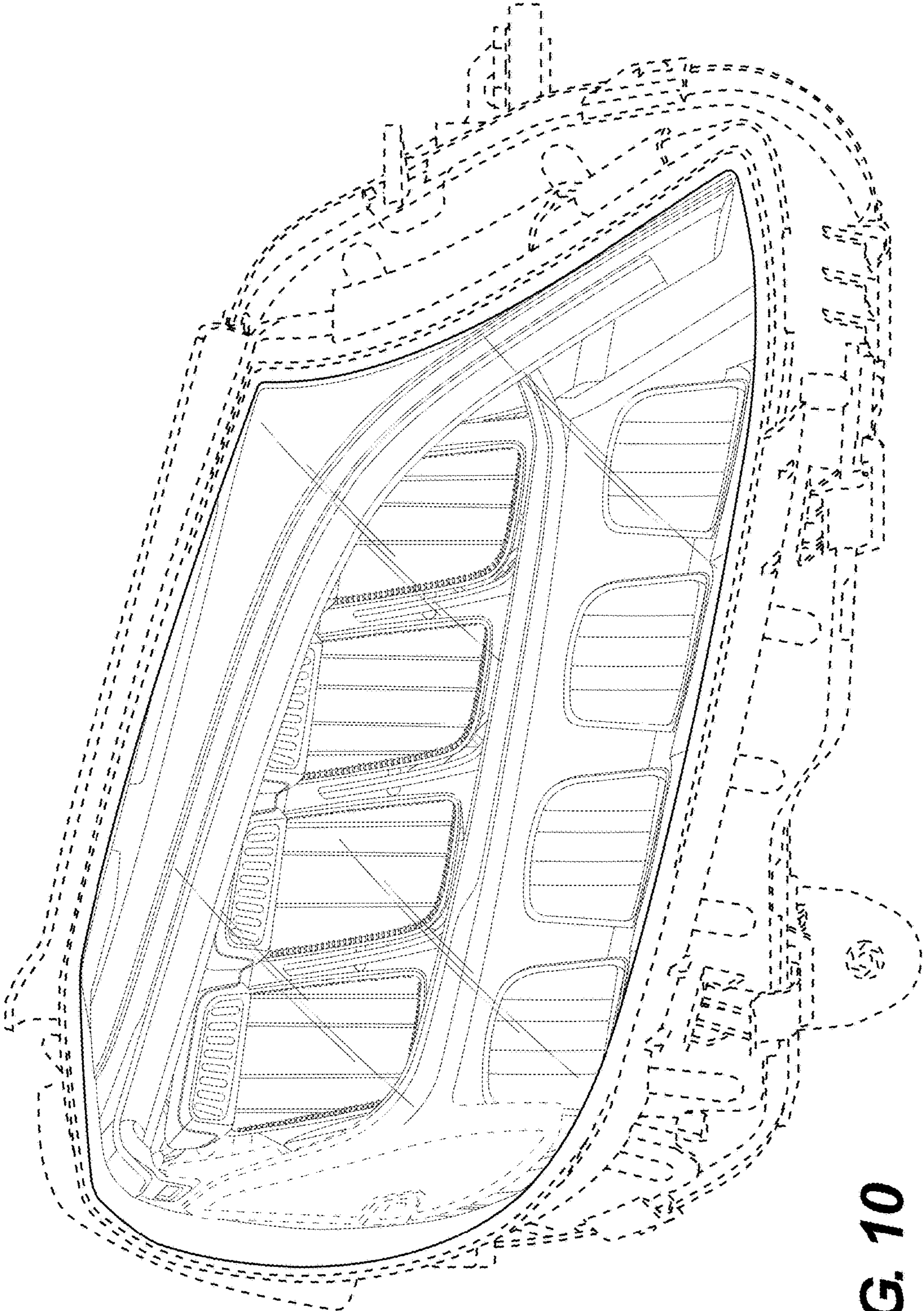


FIG. 10

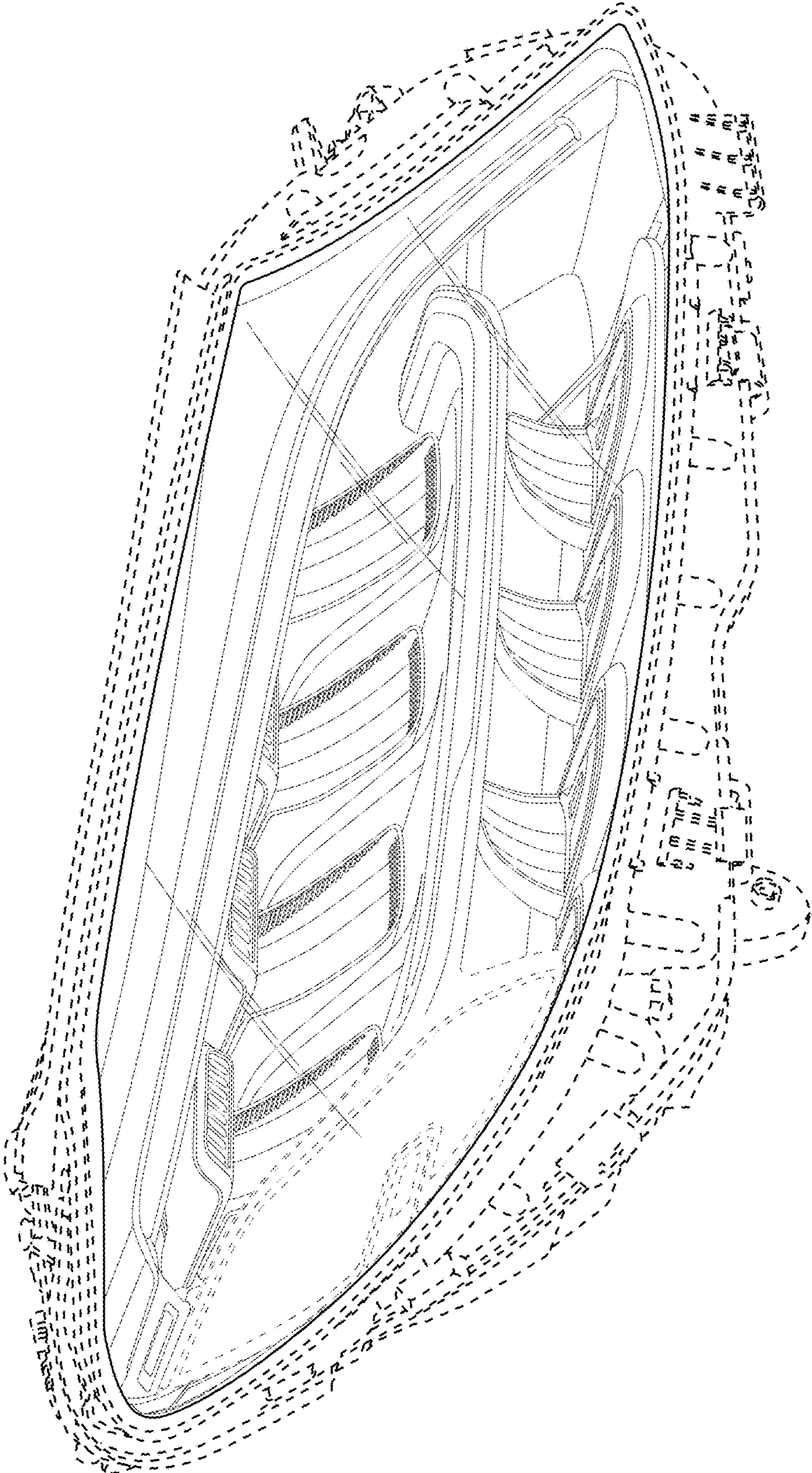


FIG. 11

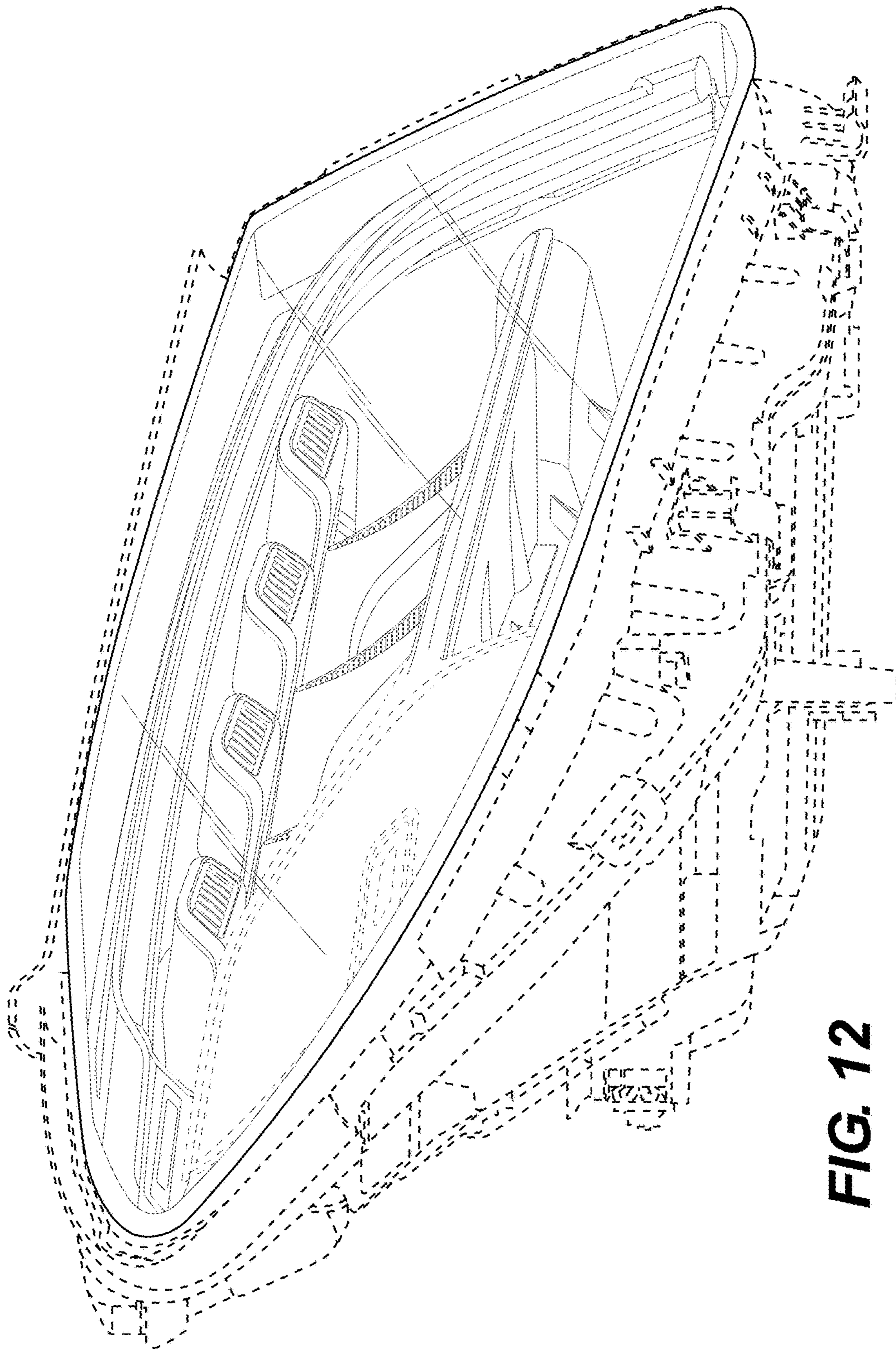


FIG. 12