



US00D827880S

(12) **United States Design Patent** (10) **Patent No.:** **US D827,880 S**  
**Chen et al.** (45) **Date of Patent:** **\*\* Sep. 4, 2018**

(54) **LED LIGHTBULB FOR VEHICLE** 8/033; F21S 8/035-8/037; F21S 8/04;  
F21S 8/043; F21S 8/063

(71) Applicant: **LUMILEDS HOLDING B.V.**,  
Amsterdam (NL) See application file for complete search history.

(72) Inventors: **Sheng Jin Chen**, Amsterdam (NL); **Xin Sheng**, Amsterdam (NL); **Shanghai Guo**, Amsterdam (NL); **Lan Li**, Amsterdam (NL); **Chun Heng Kang**, Amsterdam (NL); **Hui Ling Pan**, Amsterdam (NL); **Yuanyuan Wang**, Amsterdam (NL)

(73) Assignee: **Lumileds Holding B.V.**, Schiphol (NL)

(\*\*) Term: **15 Years**

(21) Appl. No.: **35/502,982**

(22) Filed: **Nov. 17, 2016**

(80) **Hague Agreement Data**

Int. Filing Date: **Nov. 17, 2016**  
Int. Reg. No.: **DM/094798**  
Int. Reg. Date: **Nov. 17, 2016**  
Int. Reg. Pub. Date: **May 19, 2017**

(30) **Foreign Application Priority Data**

May 19, 2016 (EM) ..... 003142025-0001

(51) **LOC (11) Cl.** ..... **26-04**

(52) **U.S. Cl.**  
USPC ..... **D26/3**

(58) **Field of Classification Search**  
USPC ... D26/3, 28, 76, 78, 79, 80, 81, 82, 83, 85,  
D26/86, 88, 90, 93, 111, 113, 118, 119,  
D26/120, 121, 122, 138, 139, 140, 141,  
D26/142, 152  
CPC ..... F21S 2/00; F21S 4/00; F21S 4/003; F21S  
4/005; F21S 4/006; F21S 4/007; F21S  
4/008; F21S 6/00; F21S 8/00; F21S  
8/024; F21S 8/026; F21S 8/031; F21S

(56) **References Cited**

U.S. PATENT DOCUMENTS

3,974,418 A *	8/1976	Fridrich	.....	F21V 15/015 315/100
D584,429 S *	1/2009	Pei	.....	D26/3
D625,032 S *	10/2010	Mollaert	.....	D26/3
D634,876 S *	3/2011	McGrath	.....	D26/79
D650,497 S *	12/2011	Lai	.....	D26/3
D662,235 S *	6/2012	Lain	.....	D26/3
D698,976 S *	2/2014	Edwards, Jr.	.....	D26/75
D705,458 S *	5/2014	Lin	.....	D26/3
D733,942 S *	7/2015	Chen	.....	D26/3
D768,891 S *	10/2016	Jiang	.....	D26/3
D798,473 S *	9/2017	Huang	.....	D26/1
D806,935 S *	1/2018	Lee	.....	D26/119
D806,936 S *	1/2018	Jordan	.....	D26/119
D812,251 S *	3/2018	Hsia	.....	D26/3

\* cited by examiner

*Primary Examiner* — George D. Kirschbaum  
*Assistant Examiner* — Natasha Vujcic  
(74) *Attorney, Agent, or Firm* — Baker & McKenzie LLP

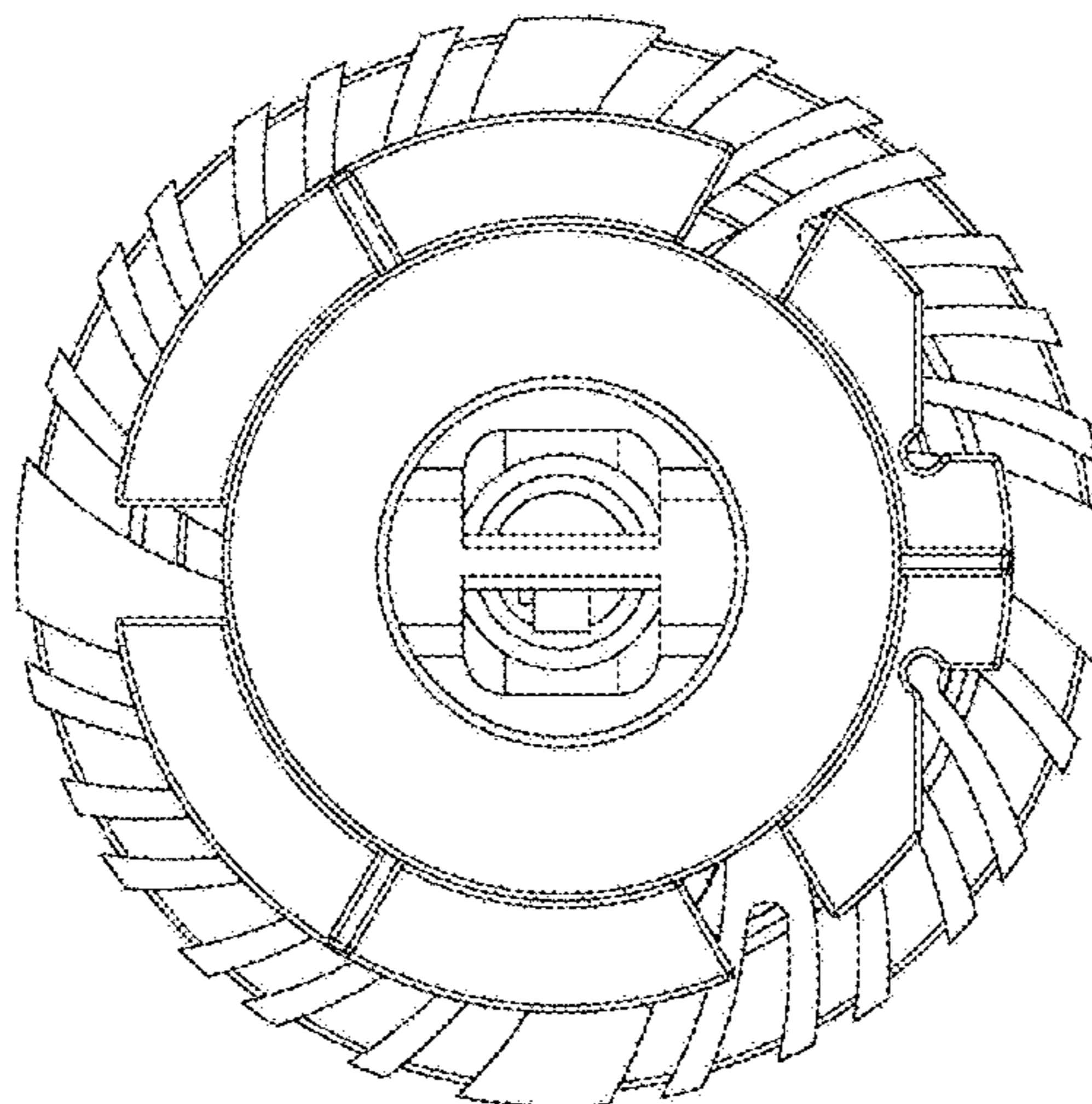
(57) **CLAIM**

The ornamental design for a LED lightbulb for vehicle, as shown and described.

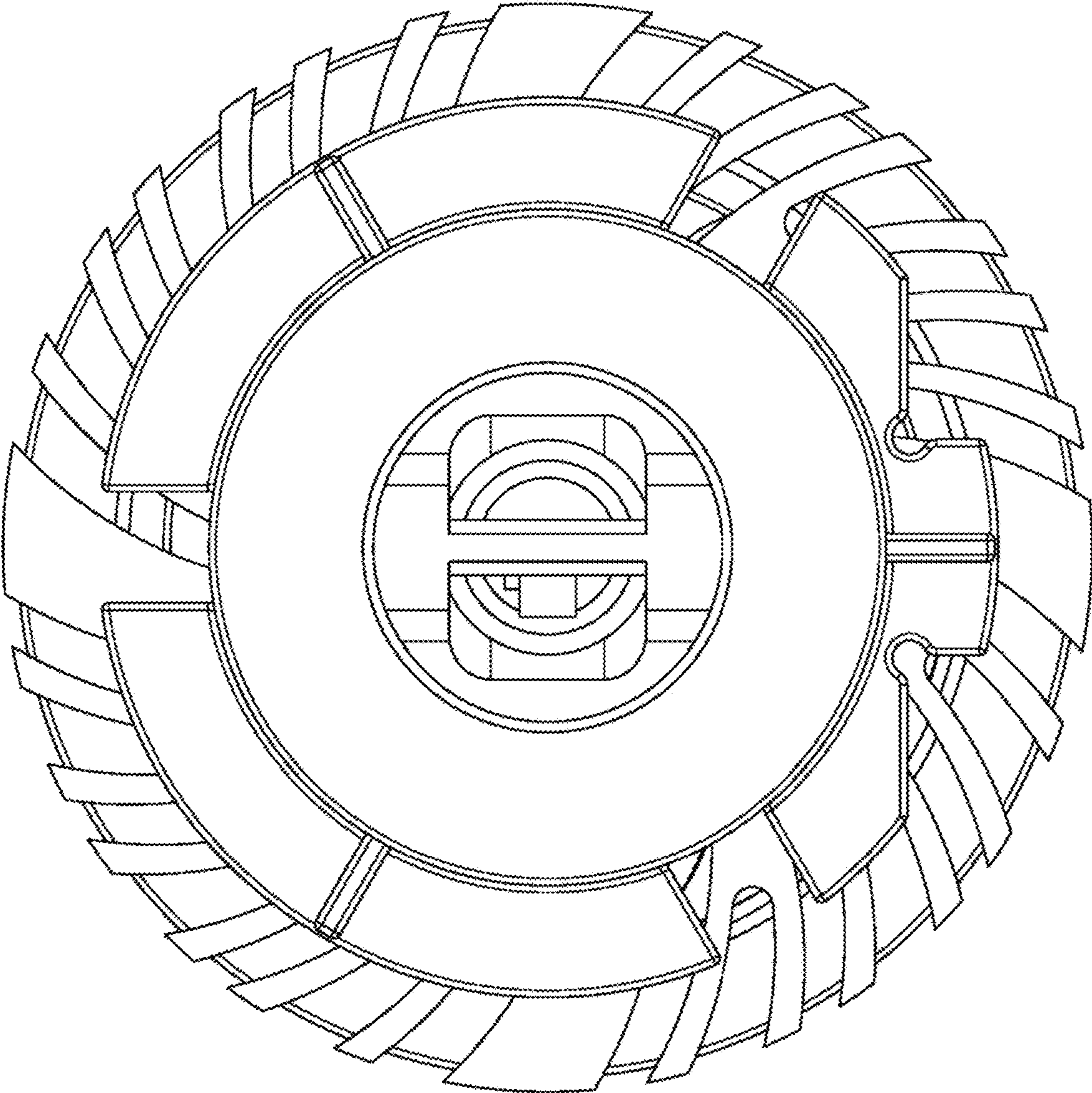
**DESCRIPTION**

- 1. LED lightbulb for vehicle
- 1.1 : Back
- 1.2 : Right
- 1.3 : Bottom
- 1.4 : Left
- 1.5 : Perspective
- 1.6 : Front
- 1.7 : Top

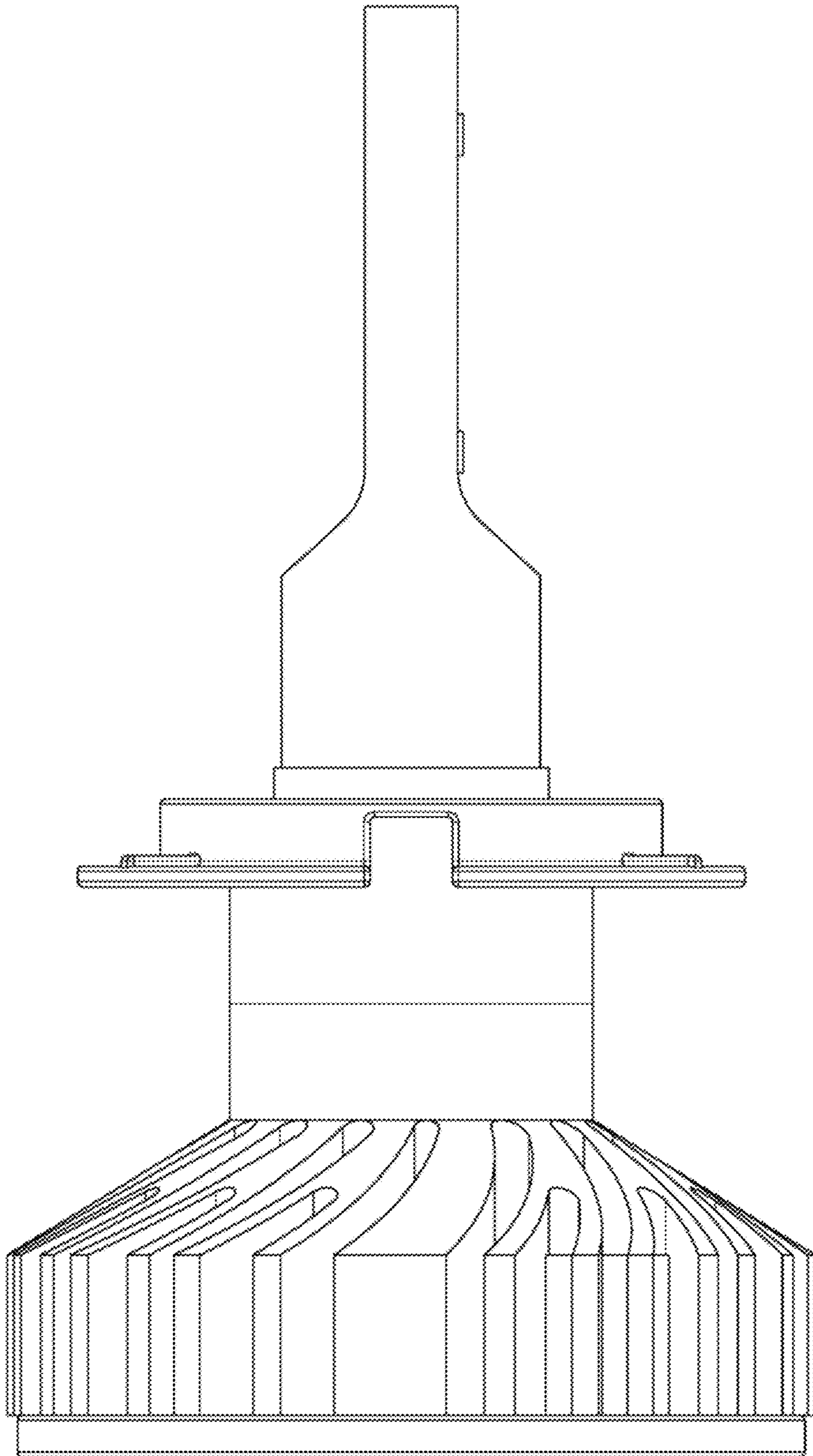
**1 Claim, 7 Drawing Sheets**



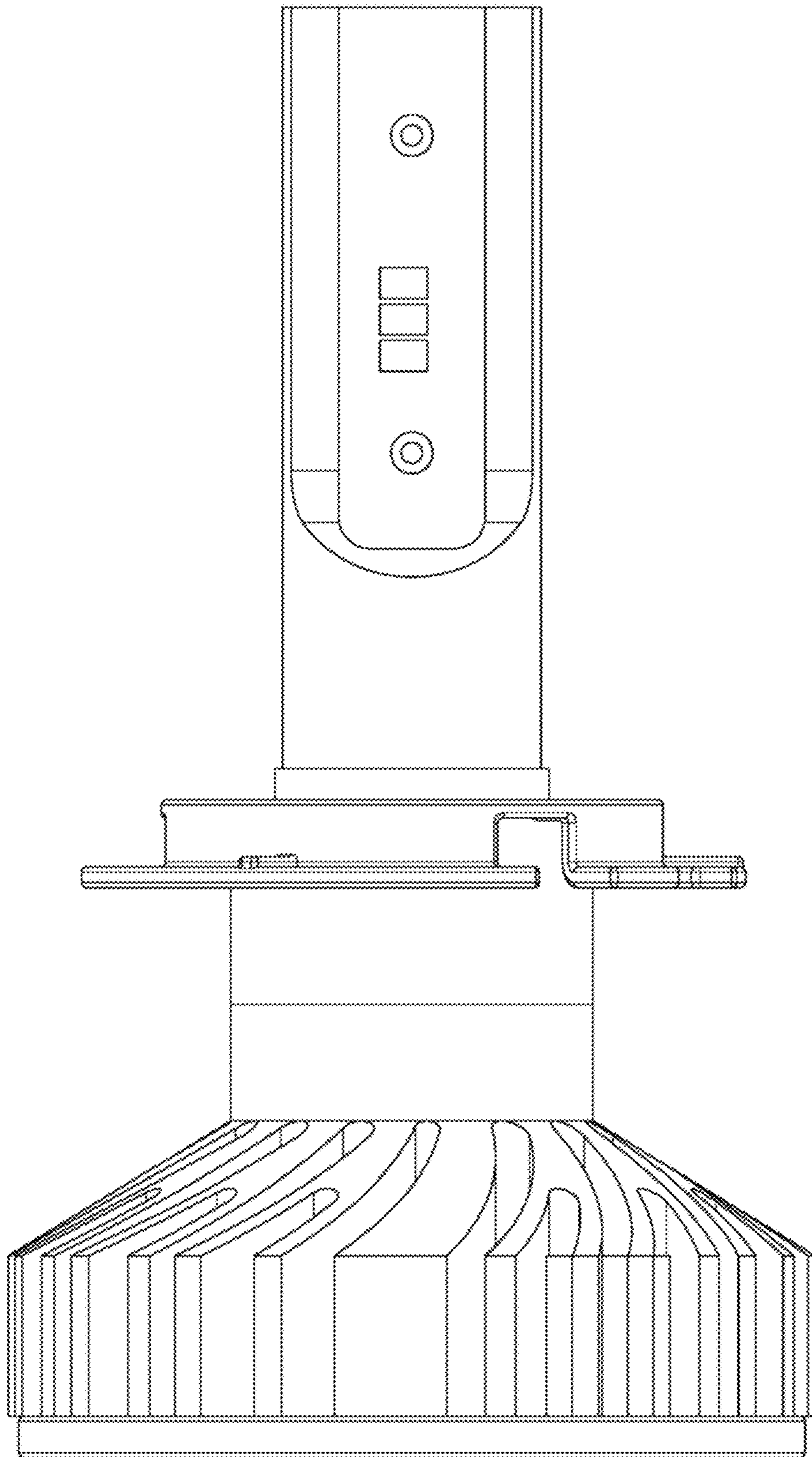
1.1



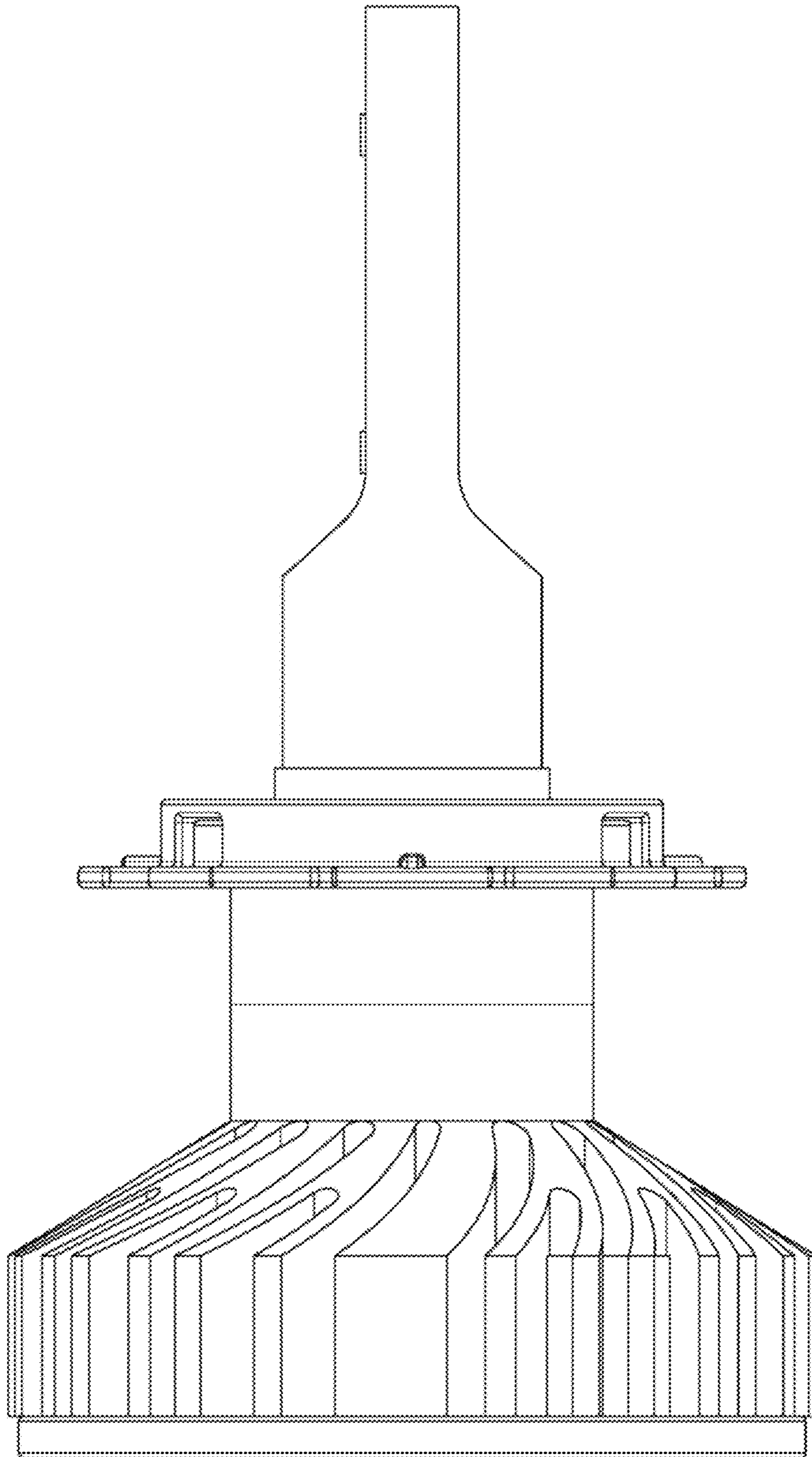
1.2



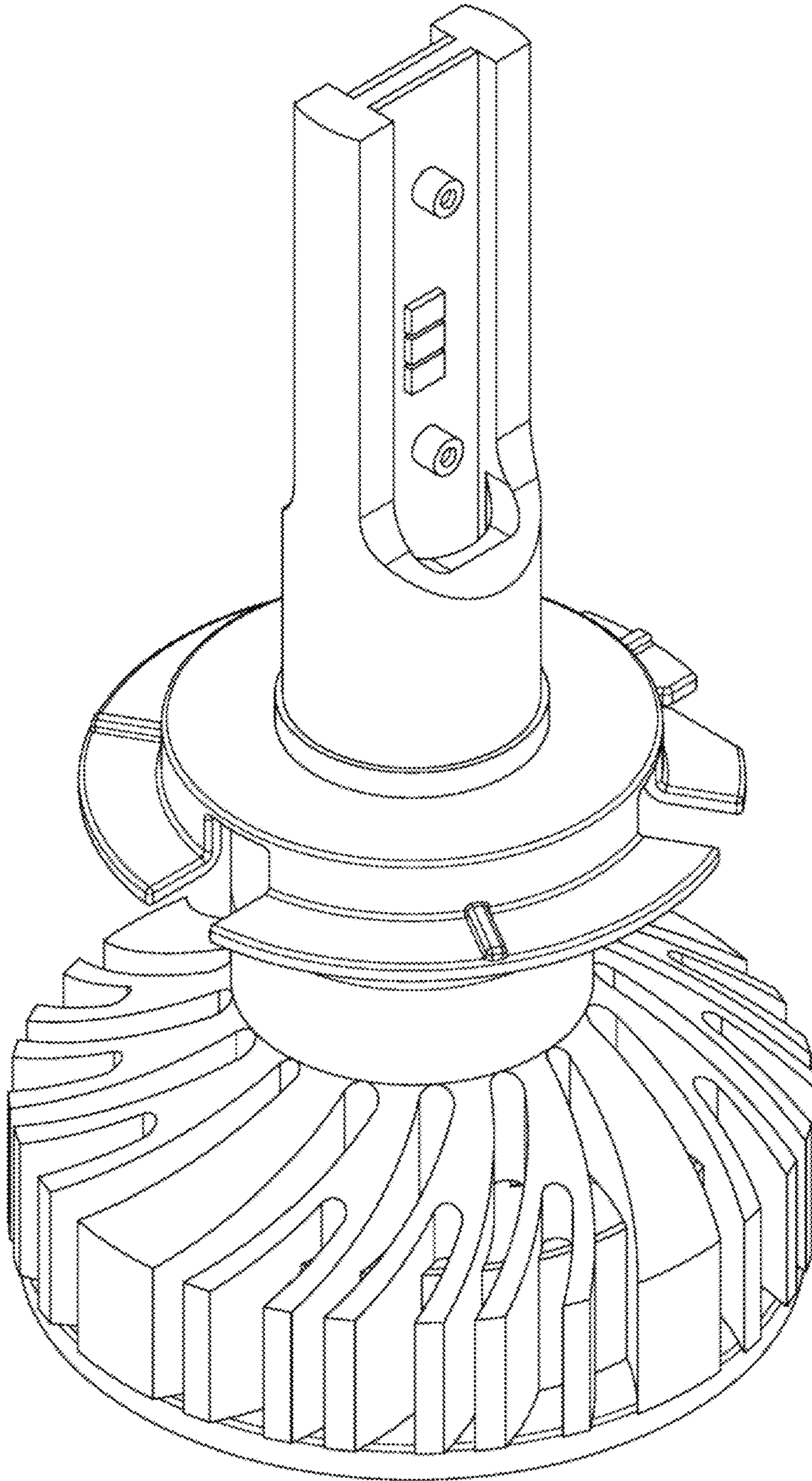
1.3



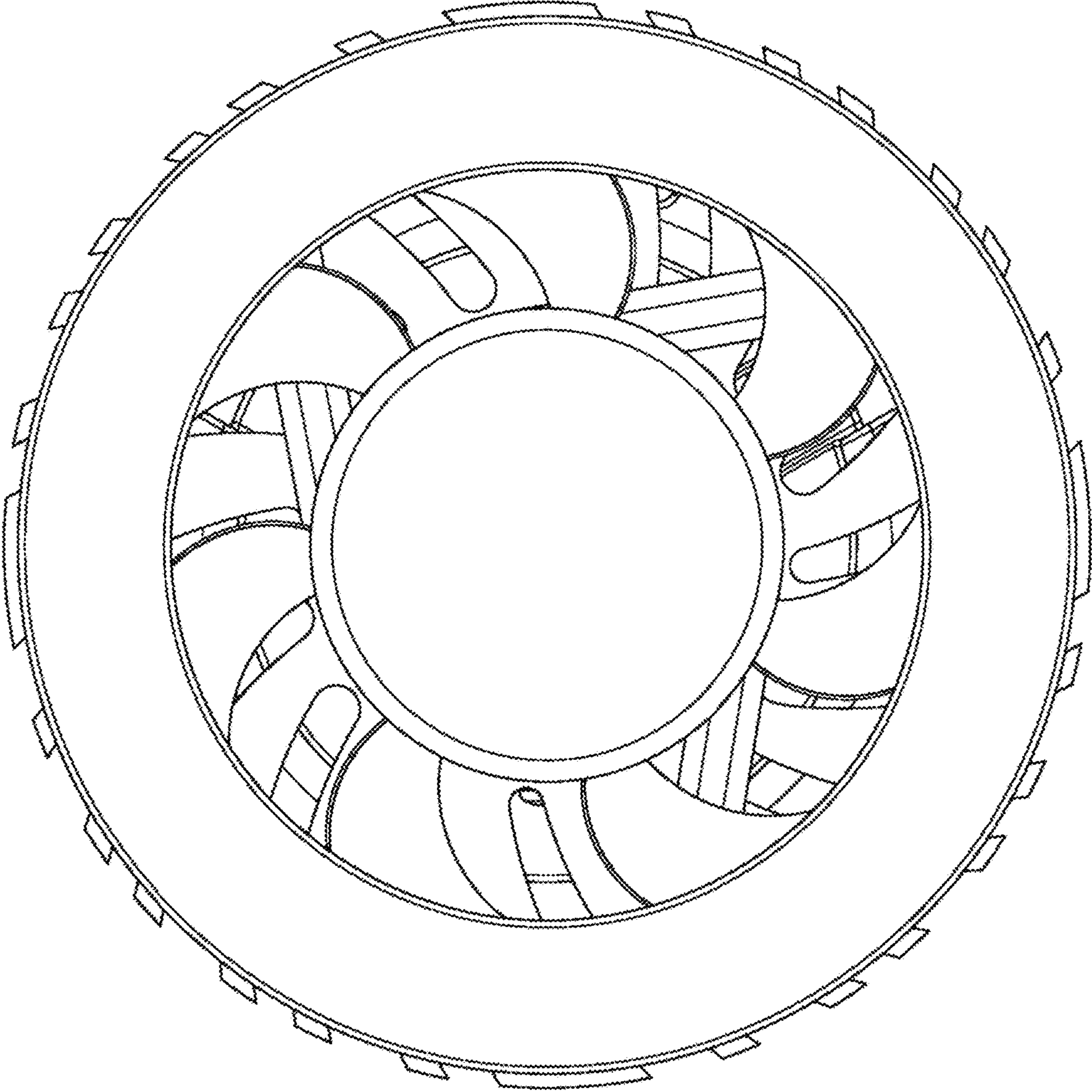
1.4



1.5



1.6



1.7

