



US00D827879S

(12) **United States Design Patent** (10) **Patent No.:** **US D827,879 S**
Qian et al. (45) **Date of Patent:** **** Sep. 4, 2018**

(54) **TUBULAR LED LAMP**

8/033; F21S 8/035–8/037; F21S 8/04;
F21S 8/043; F21S 8/063

(71) Applicant: **PHILIPS LIGHTING HOLDING B.V.**, Eindhoven (NL)

See application file for complete search history.

(72) Inventors: **Shirley Qian**, Shanghai (CN); **Wesley Li**, Shanghai (CN)

(56) **References Cited**

U.S. PATENT DOCUMENTS

(73) Assignee: **PHILIPS LIGHTING HOLDING B.V.**, Eindhoven (NL)

3,974,418 A *	8/1976	Fridrich	F21V 15/015 315/100
D584,429 S *	1/2009	Pei	D26/3
D625,032 S *	10/2010	Mollaert	D26/3
D634,876 S *	3/2011	McGrath	D26/79
D650,497 S *	12/2011	Lai	D26/3
D662,235 S *	6/2012	Lain	D26/3
D698,976 S *	2/2014	Edwards, Jr.	D26/75
D705,458 S *	5/2014	Lin	D26/3
D733,942 S *	7/2015	Chen	D26/3
D798,473 S *	10/2016	Jiang	D26/3
D798,473 S *	9/2017	Huang	D26/1
D806,935 S *	1/2018	Lee	D26/119
D806,936 S *	1/2018	Jordan	D26/119
D812,251 S *	3/2018	Hsia	D26/3

(**) Term: **15 Years**

(21) Appl. No.: **35/502,928**

(22) Filed: **Feb. 20, 2017**

(80) **Hague Agreement Data**

Int. Filing Date: **Feb. 20, 2017**

Int. Reg. No.: **DM/095819**

Int. Reg. Date: **Feb. 20, 2017**

Int. Reg. Pub. Date: **May 12, 2017**

(30) **Foreign Application Priority Data**

Aug. 24, 2016 (EP) 003350909-0001

(51) **LOC (11) Cl.** **26-04**

(52) **U.S. Cl.**
USPC **D26/3**

(58) **Field of Classification Search**

USPC ... D26/3, 76, 78, 79, 80, 81, 82, 83, 85, 86,
D26/88, 90, 93, 111, 113, 118, 119, 120,
D26/121, 122, 138, 139, 140, 141, 142,
D26/152

CPC F21S 2/00; F21S 4/00; F21S 4/003; F21S
4/005; F21S 4/006; F21S 4/007; F21S
4/008; F21S 6/00; F21S 8/00; F21S
8/024; F21S 8/026; F21S 8/031; F21S

* cited by examiner

Primary Examiner — George D. Kirschbaum

Assistant Examiner — Natasha Vujcic

(57) **CLAIM**

The ornamental design for a tubular LED lamp, as shown and described.

DESCRIPTION

1. Tubular LED lamp

1.1 : Perspective

1.2 : Front

1.3 : Back

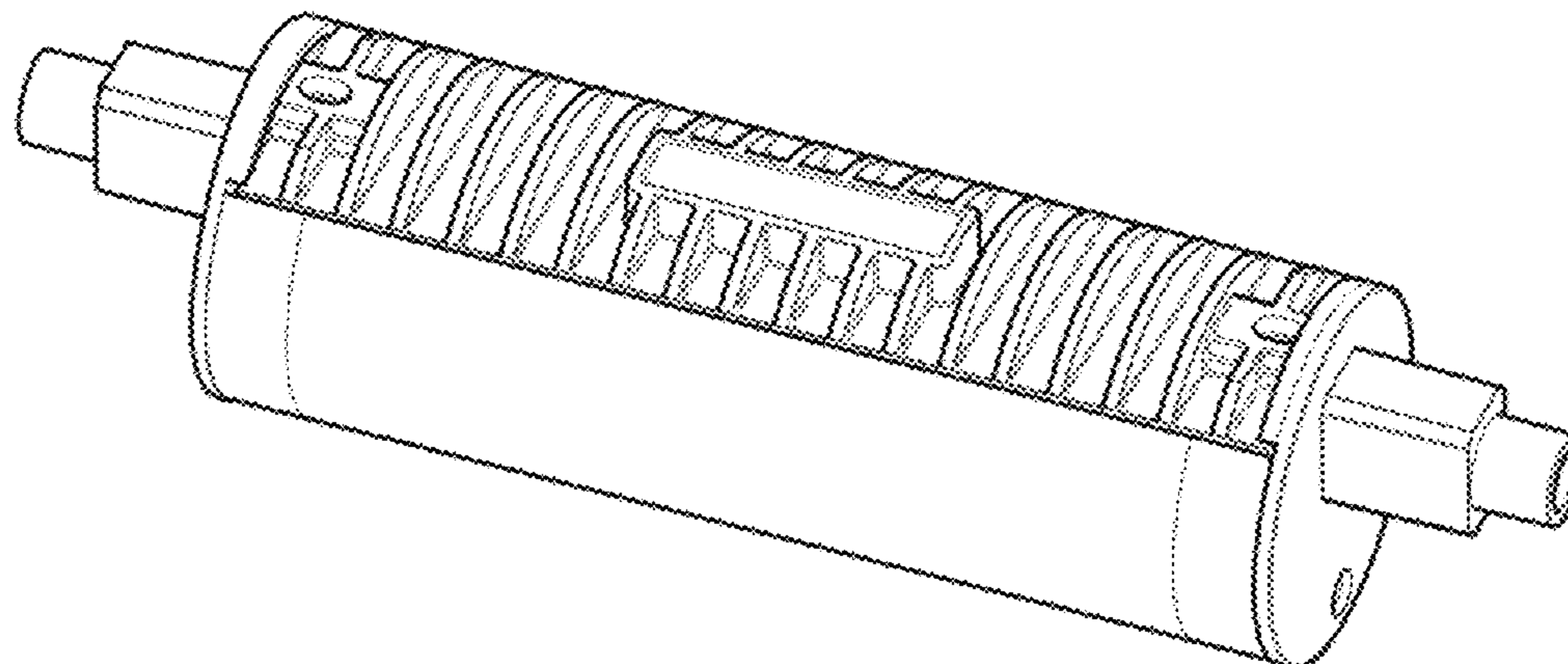
1.4 : Right

1.5 : Left

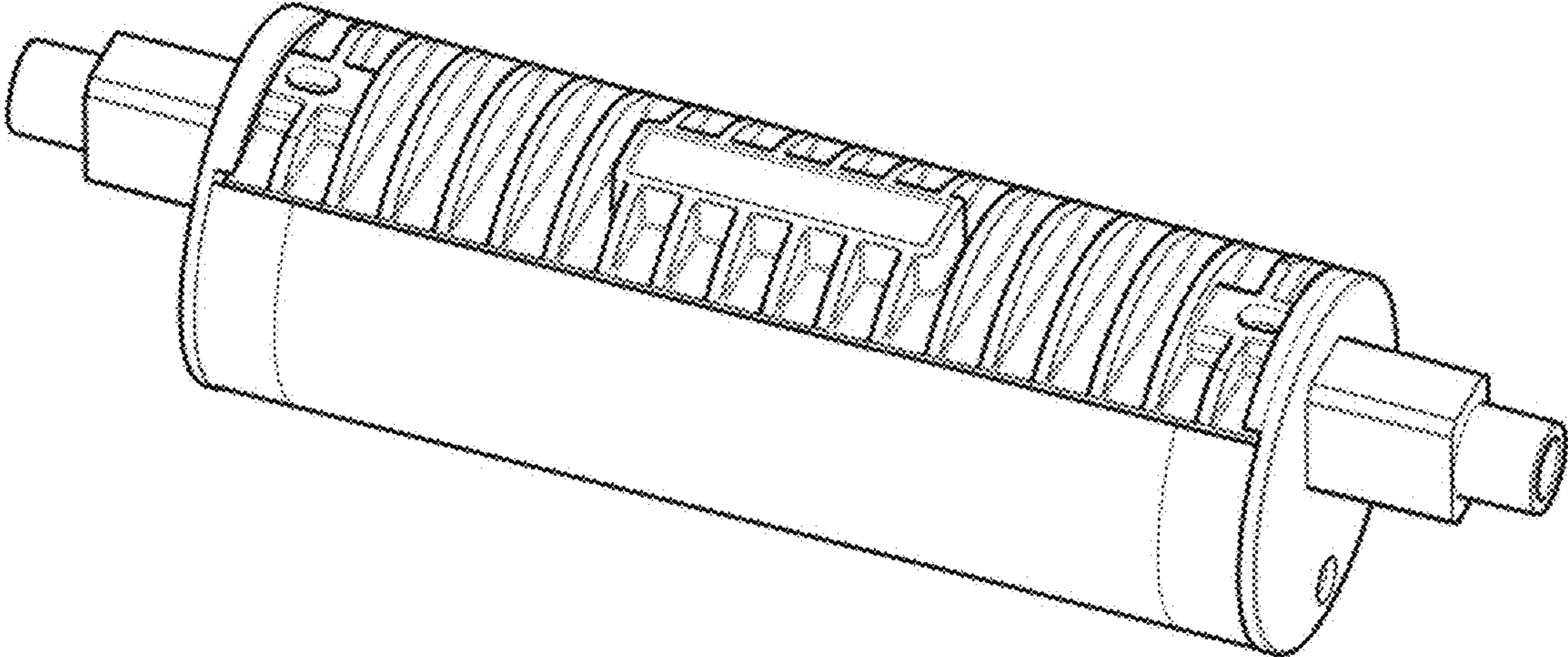
1.6 : Top

1.7 : Bottom

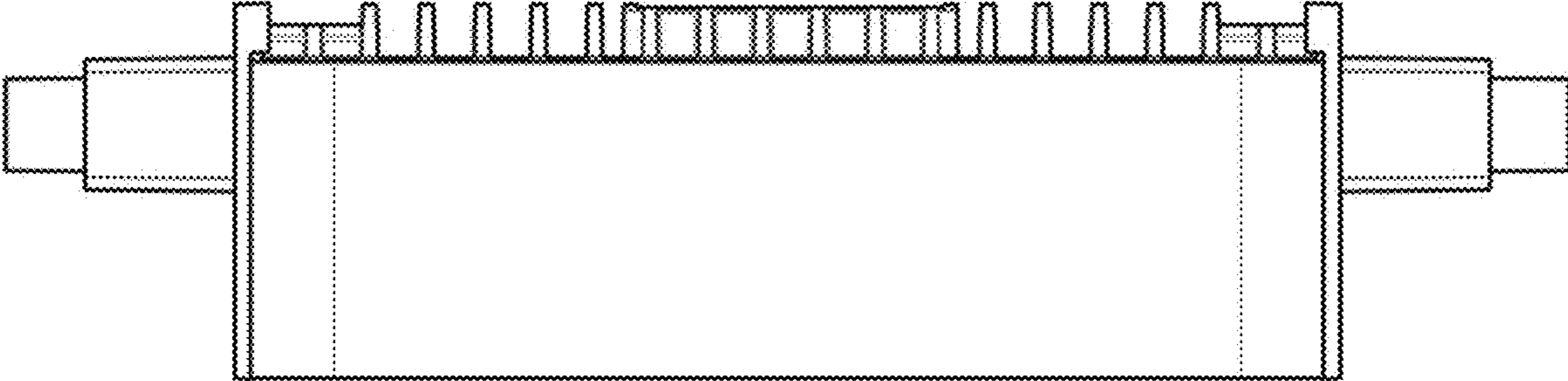
1 Claim, 7 Drawing Sheets



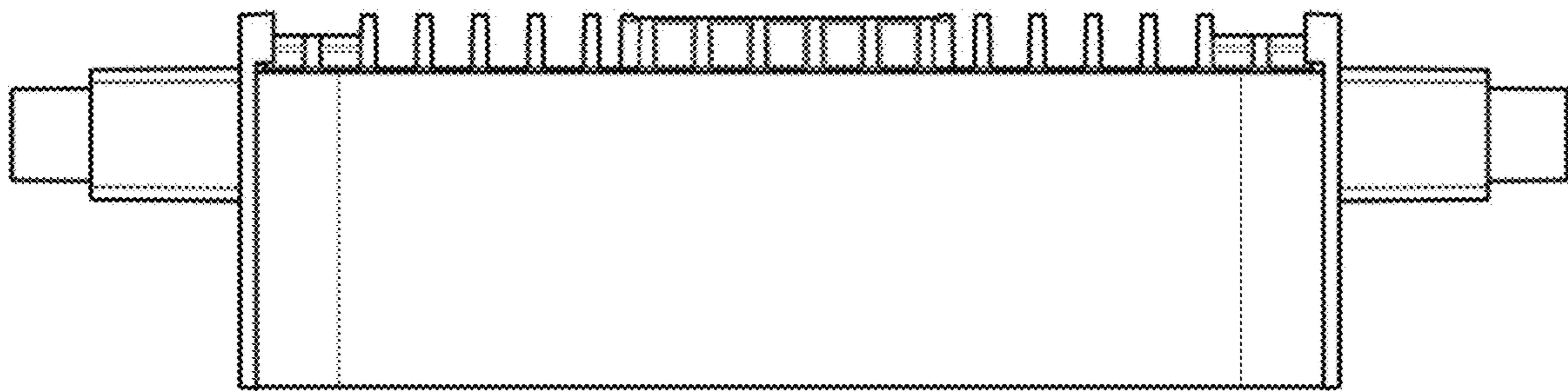
1.1



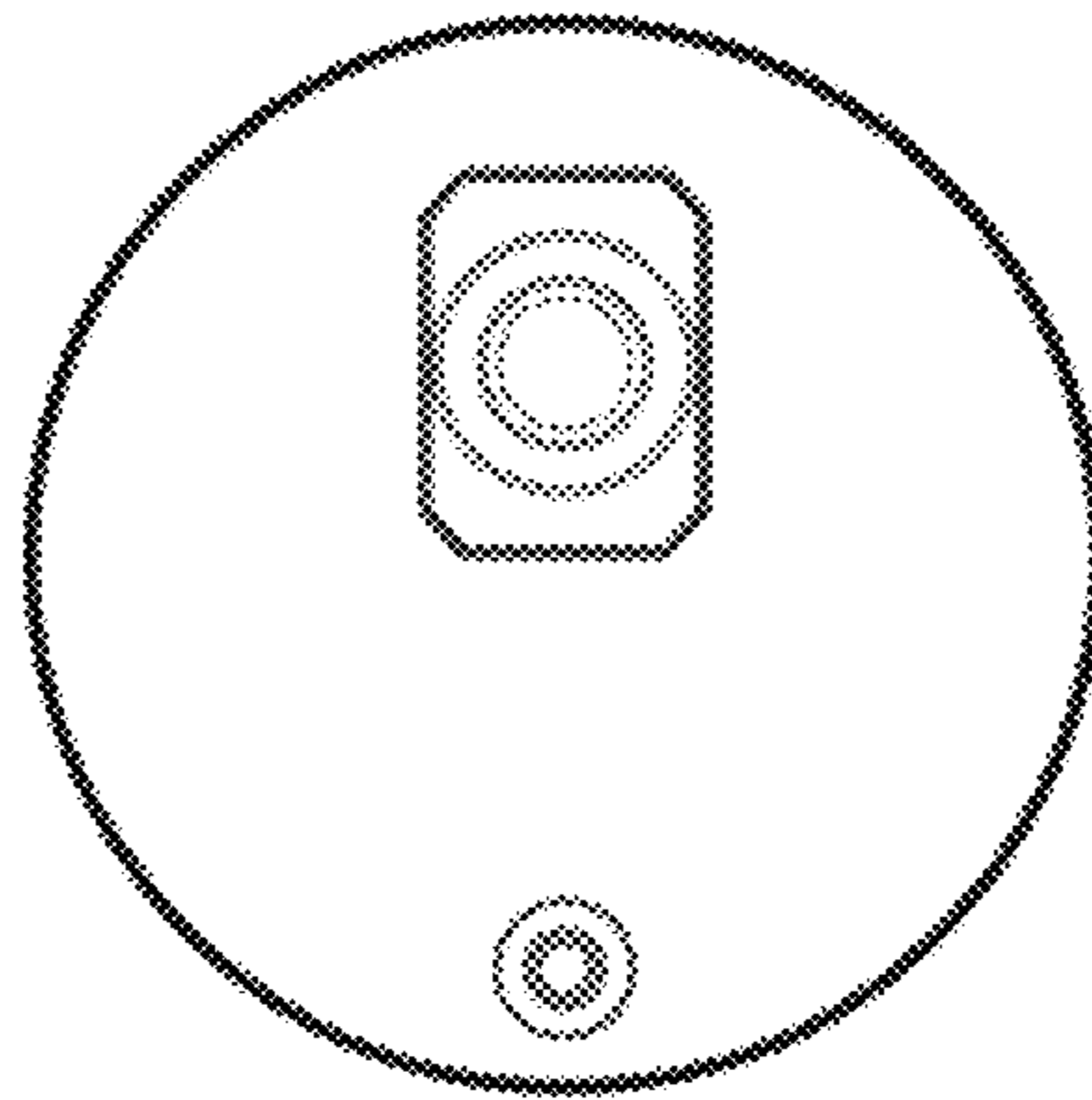
1.2



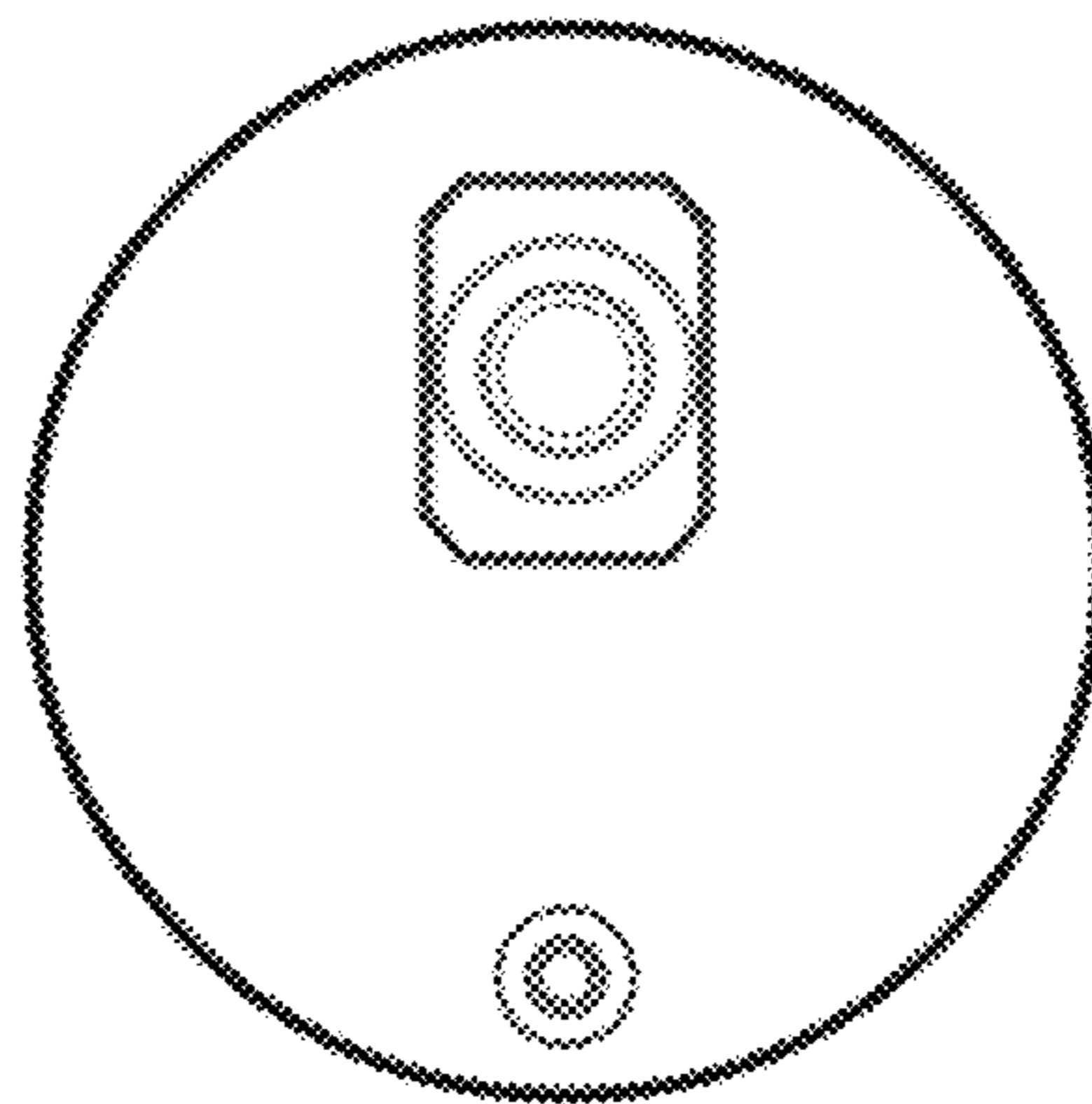
1.3



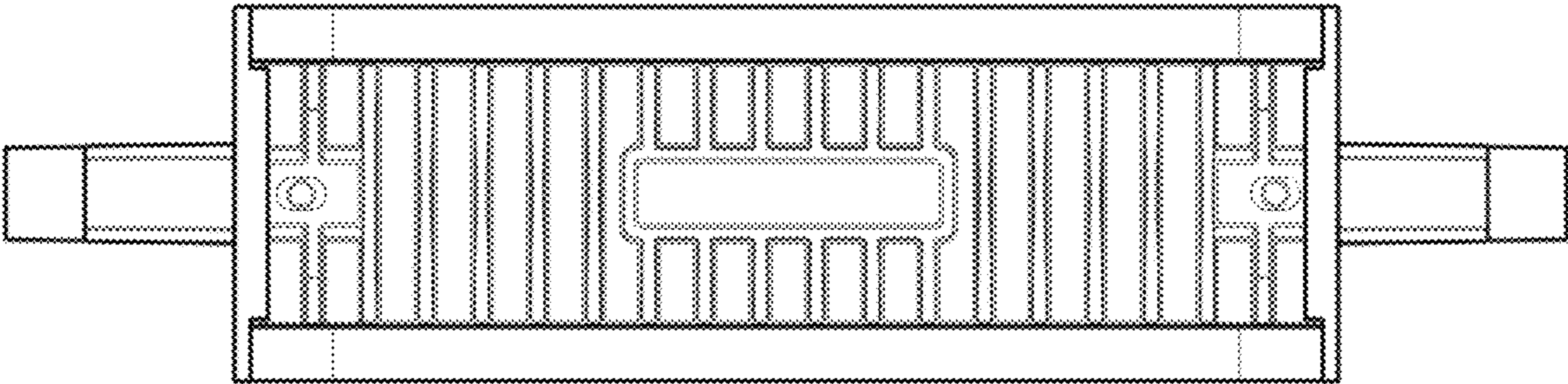
1.4



1.5



1.6



1.7

