



US00D827878S

(12) **United States Design Patent** (10) **Patent No.:** **US D827,878 S**
Lan (45) **Date of Patent:** **** Sep. 4, 2018**

(54) **LED LIGHT**

(71) Applicant: **Shenzhen Guanke Technologies Co., Ltd.**, Shenzhen (CN)

(72) Inventor: **Qing Lan**, Shenzhen (CN)

(73) Assignee: **SHENZHEN GUANKE TECHNOLOGIES CO., LTD.**, Shenzhen (CN)

(**) Term: **15 Years**

(21) Appl. No.: **29/618,359**

(22) Filed: **Sep. 20, 2017**

(51) **LOC (11) Cl.** **26-04**

(52) **U.S. Cl.**
USPC **D26/2**

(58) **Field of Classification Search**
USPC D26/1-4; 313/313, 315, 316, 317, 318, 313/493; 315/52, 53, 56, 57, 58
CPC H01R 5/00; H01R 13/46; H01R 13/514; H01R 31/048; H01R 31/02; H01J 5/00; H01J 5/16; H01J 15/00; H01J 5/48; H01J 5/50; H01J 19/54; F21V 5/00

See application file for complete search history.

(56) **References Cited**

U.S. PATENT DOCUMENTS

D553,266 S *	10/2007	Maxik	D26/2
D566,300 S *	4/2008	Lo	D26/2
D584,838 S *	1/2009	To	D26/2
D646,802 S *	10/2011	Guohui	D26/2
D695,426 S *	12/2013	Tu	D26/2

* cited by examiner

Primary Examiner — Marcus Jackson

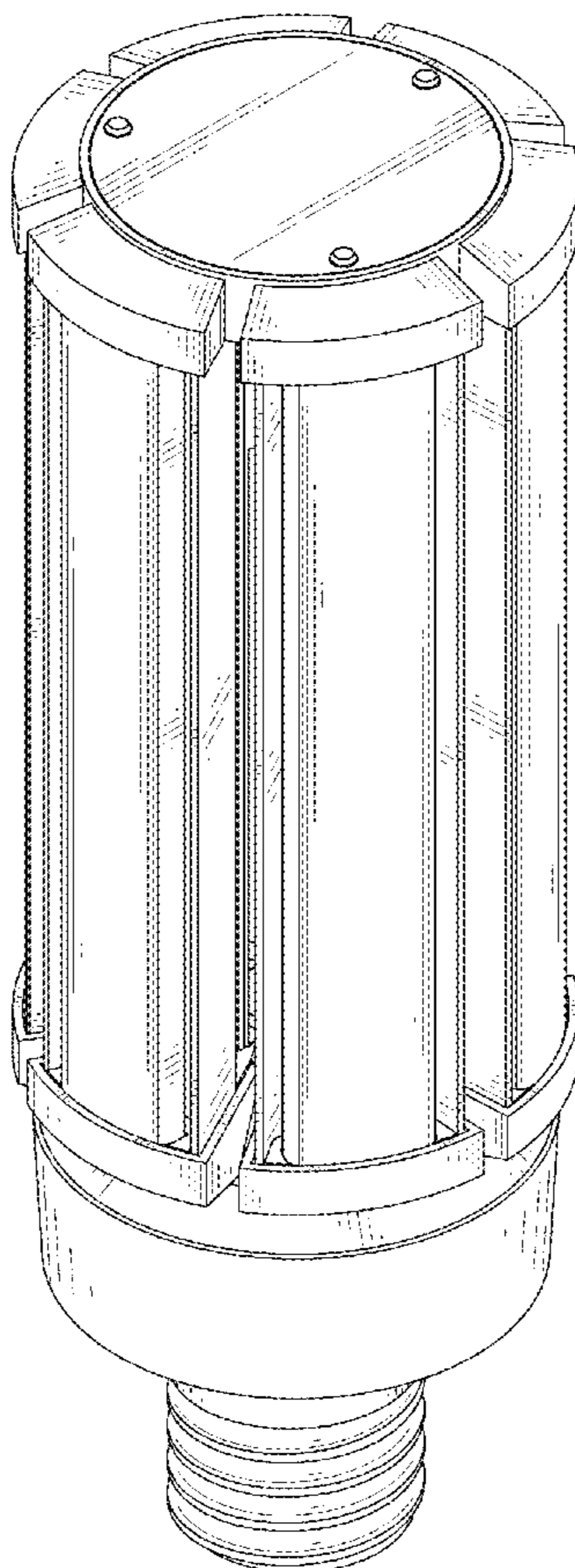
(57) **CLAIM**

The ornamental design for an LED light, as shown and described.

DESCRIPTION

FIG. 1 is a perspective view of the LED light showing my new design;
 FIG. 2 is similar to FIG. 1, viewed from another aspect;
 FIG. 3 is a front elevational view thereof;
 FIG. 4 is a rear elevational view thereof;
 FIG. 5 is a left side elevational view thereof;
 FIG. 6 is a right side elevational view thereof;
 FIG. 7 is a top plan view thereof; and,
 FIG. 8 is a bottom plan view thereof.
 The broken lines are for the purposes of illustrating portions of the LED light and form no part of the claimed design.

1 Claim, 8 Drawing Sheets



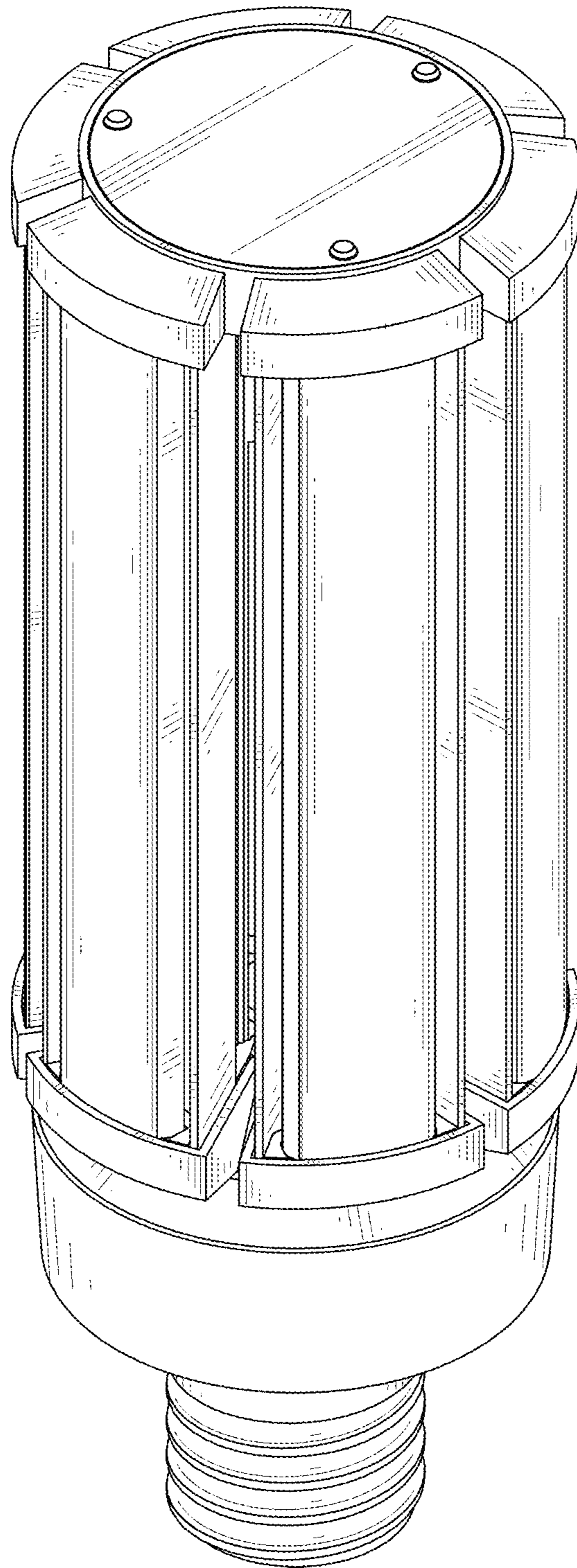


FIG. 1

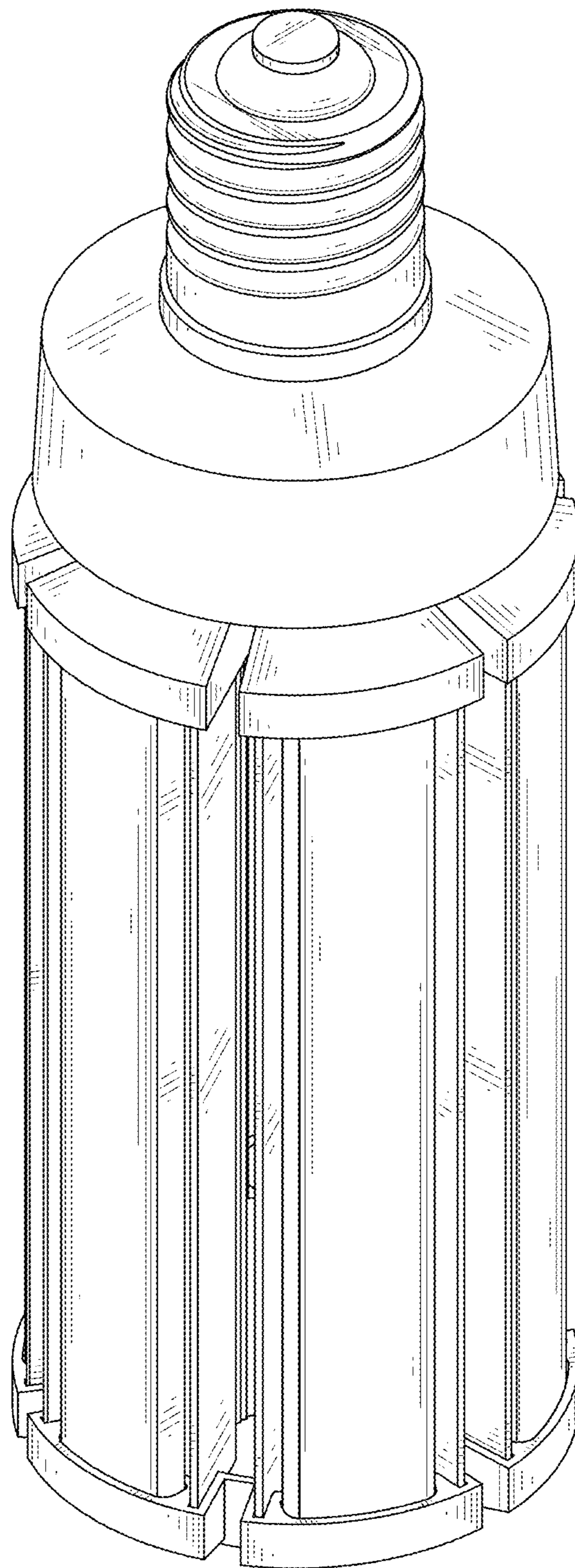


FIG. 2

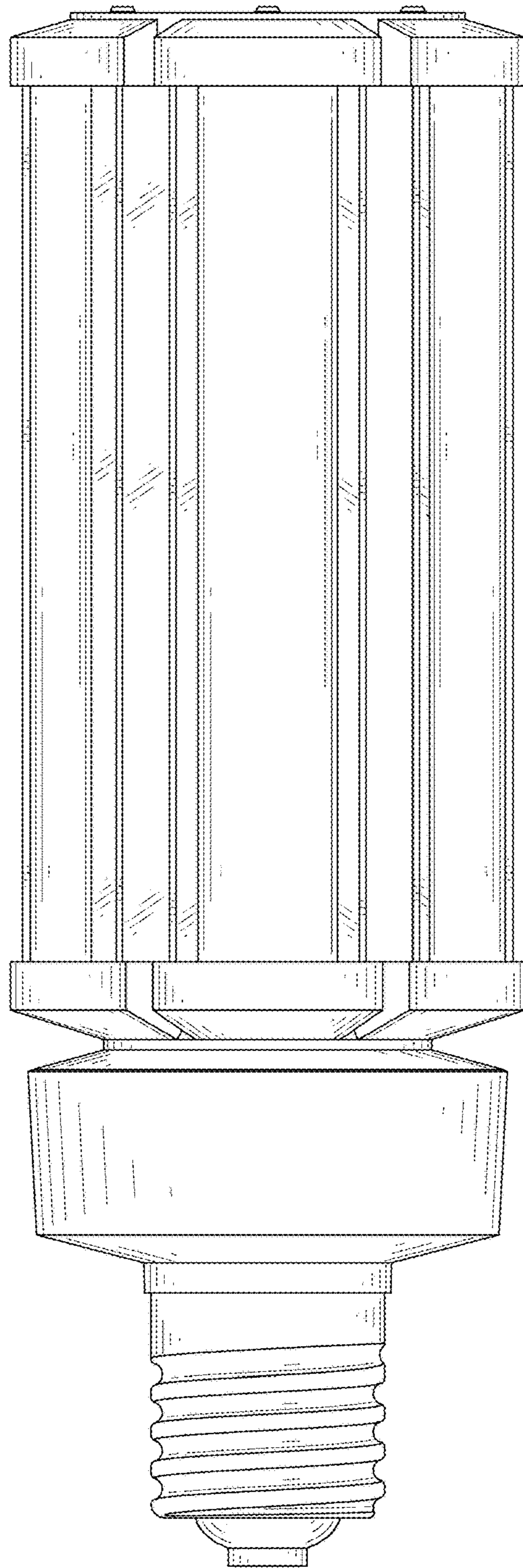


FIG. 3

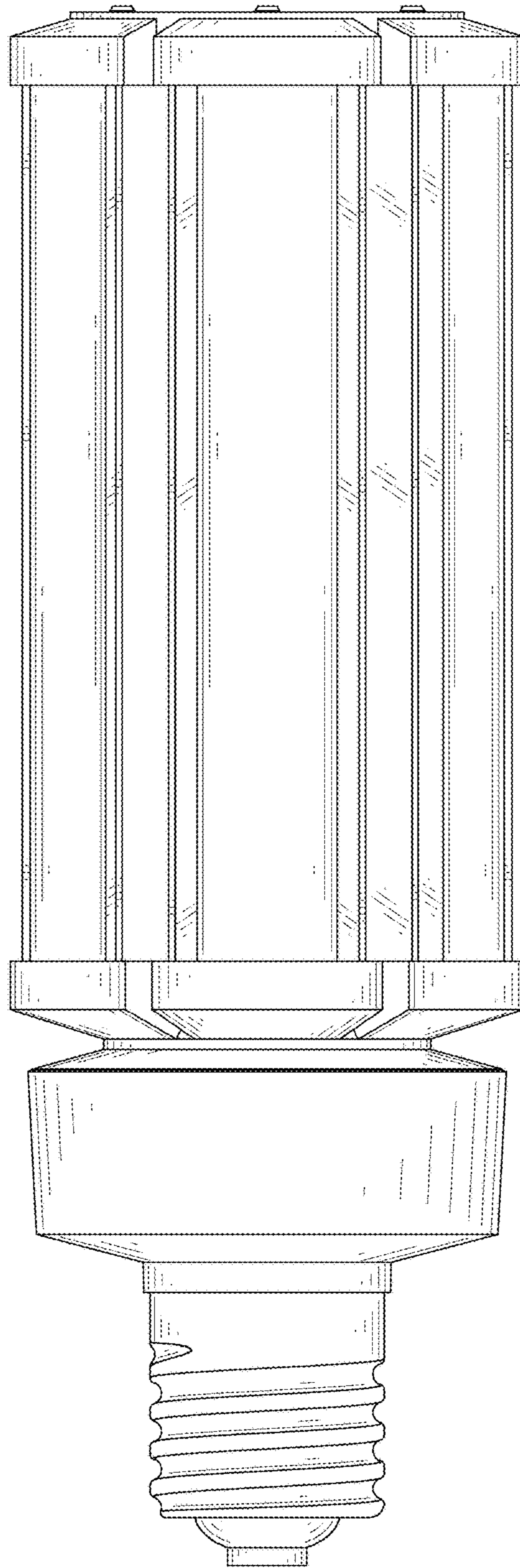


FIG. 4

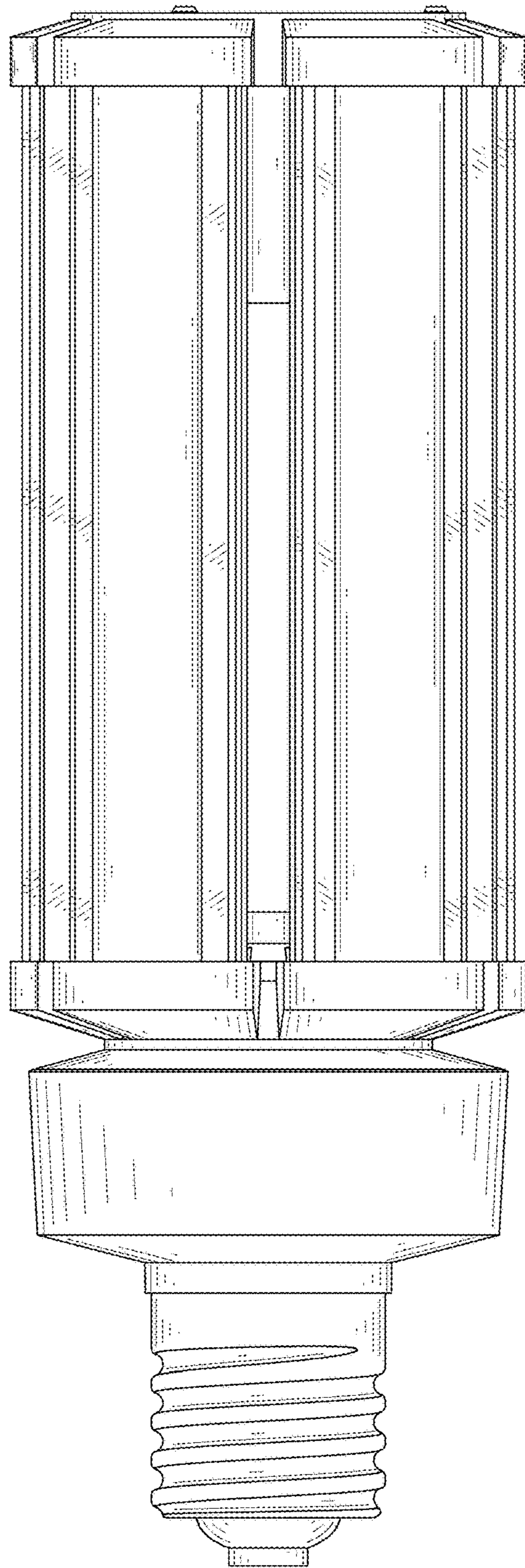


FIG. 5

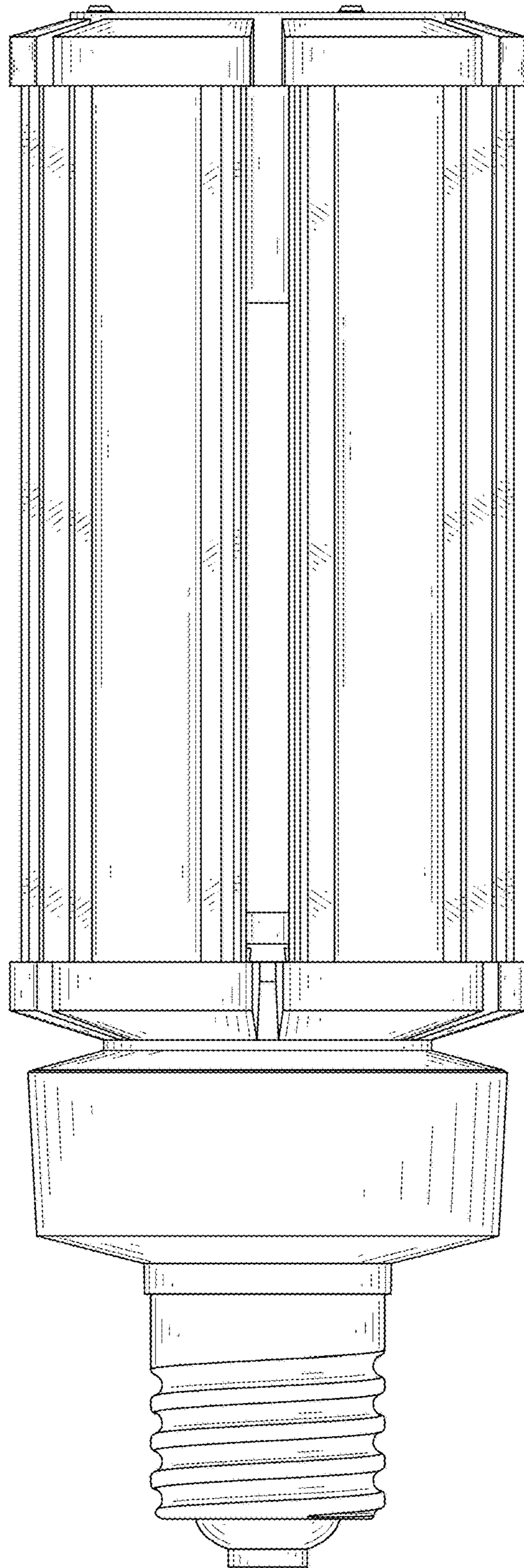


FIG. 6

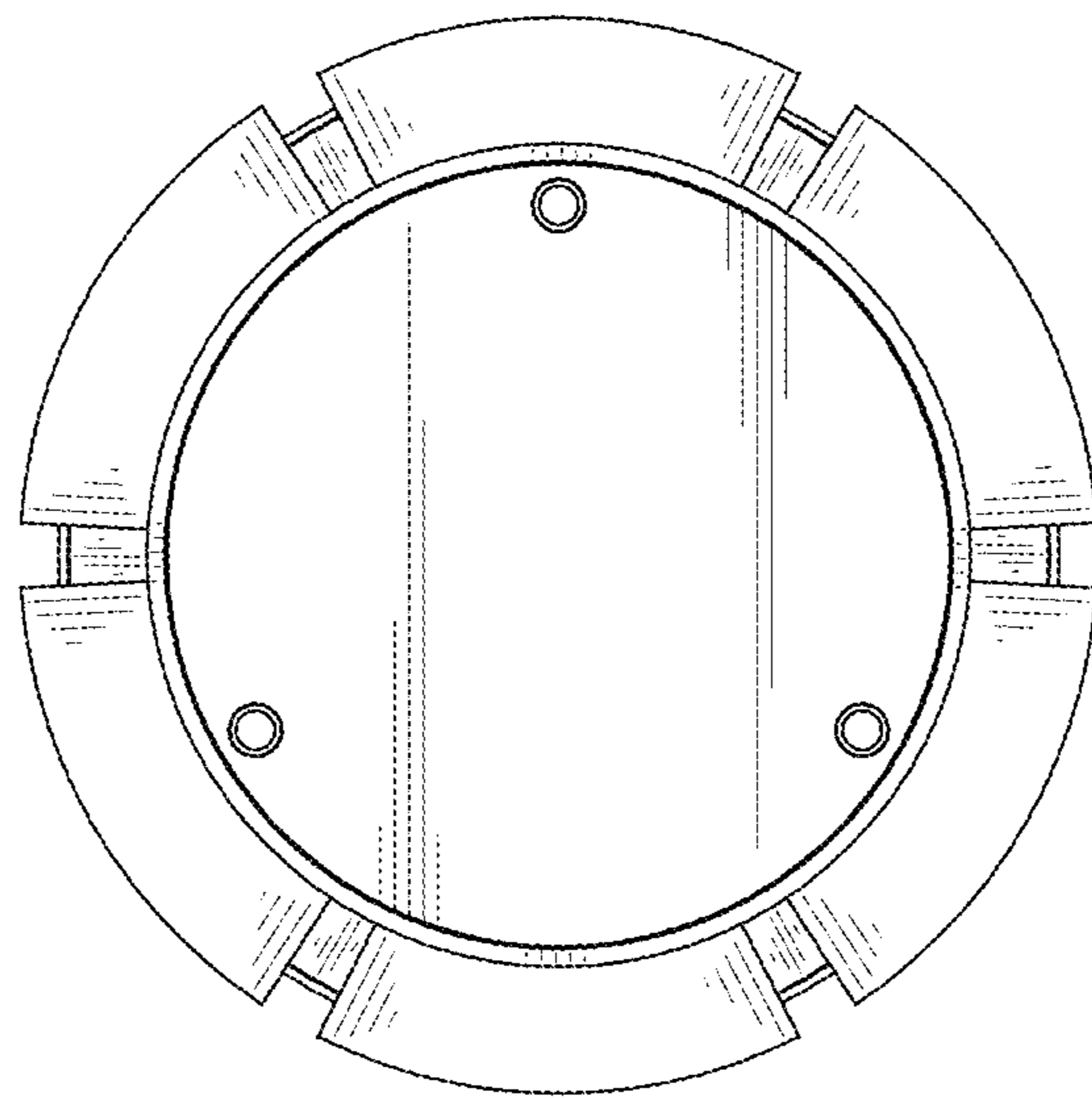


FIG. 7

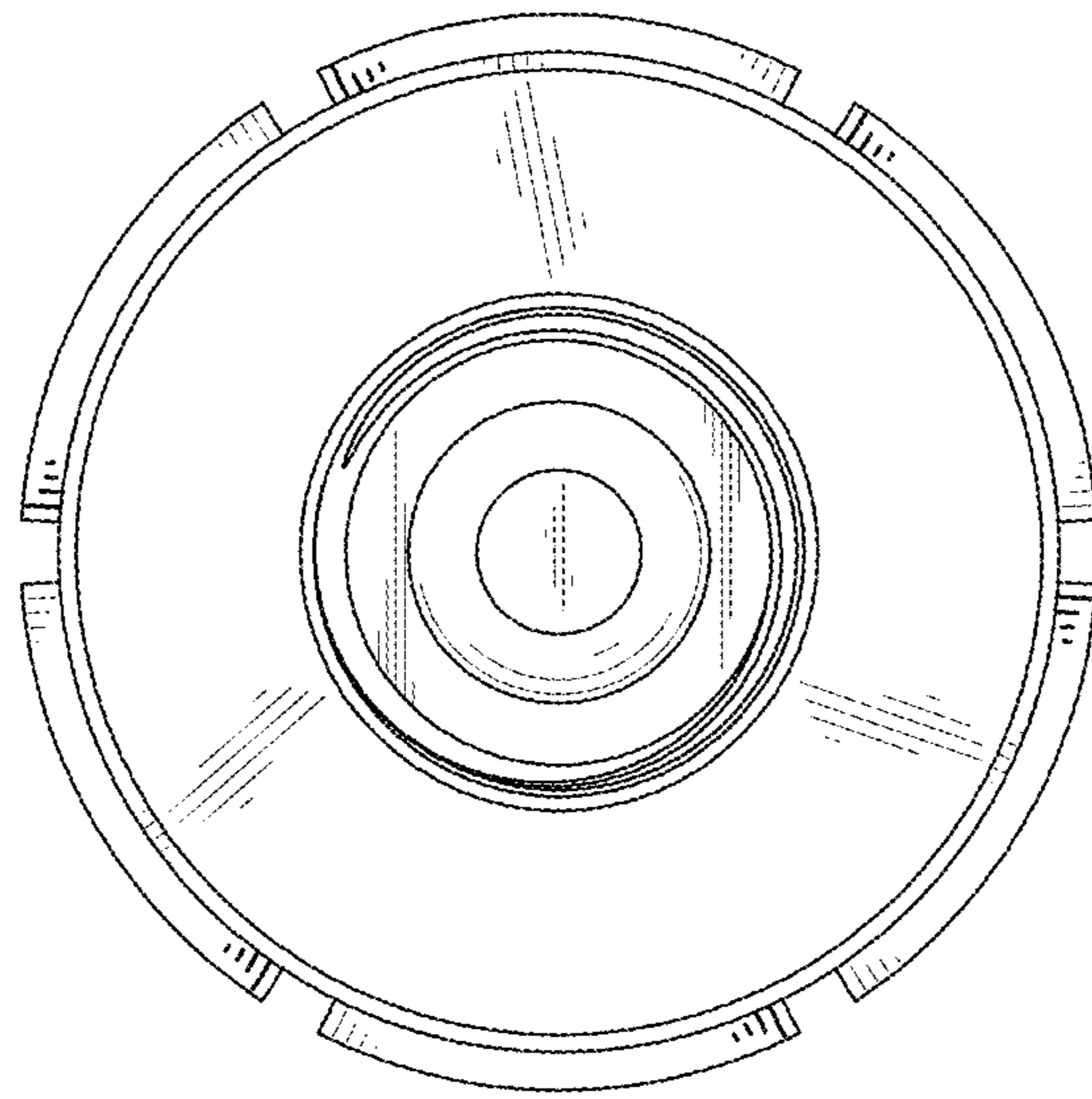


FIG. 8