



US00D827876S

(12) **United States Design Patent**  
**Son et al.**

(10) **Patent No.:** **US D827,876 S**  
(45) **Date of Patent:** **\*\* Sep. 4, 2018**

(54) **LAMP MODULE FOR ELECTRONIC DEVICE**

(71) Applicant: **LUXROBO**, Seoul (KR)

(72) Inventors: **Yoon Son**, Seoul (KR); **Jeong In Kim**, Seoul (KR)

(73) Assignee: **LUXROBO**, Seoul (KR)

(\*\*) Term: **15 Years**

(21) Appl. No.: **29/591,235**

(22) Filed: **Jan. 18, 2017**

(30) **Foreign Application Priority Data**

Dec. 22, 2016 (KR) ..... 30-2016-0062479

(51) **LOC (11) Cl.** ..... **26-01**

(52) **U.S. Cl.**  
USPC ..... **D26/1**

(58) **Field of Classification Search**

USPC ..... D26/1-4, 24; D13/180-182  
CPC ..... H01J 5/00; H01J 19/54; H01J 5/50; H01J 15/00; F21K 9/1375; F21K 9/135; F21K 9/13; F21V 5/00

See application file for complete search history.

(56) **References Cited**

**U.S. PATENT DOCUMENTS**

D590,522 S \* 4/2009 Tu ..... D26/1  
D704,358 S \* 5/2014 Joo ..... D26/1

D715,461 S \* 10/2014 Chen ..... D26/1  
D730,548 S \* 5/2015 Elwell ..... D26/1  
D739,565 S \* 9/2015 Welch ..... D26/1  
D742,554 S \* 11/2015 Kanemaru ..... D26/1  
D754,374 S \* 4/2016 Lutz ..... D26/24  
D786,460 S \* 5/2017 Wu ..... D26/1  
D800,353 S \* 10/2017 Schmauder ..... D26/1  
D802,176 S \* 11/2017 Tan ..... D26/1  
D805,659 S \* 12/2017 Hochman ..... D26/1  
D808,546 S \* 1/2018 Pleso ..... D26/1  
D815,762 S \* 4/2018 Wang ..... D26/1

\* cited by examiner

*Primary Examiner* — Brian N. Vinson

(74) *Attorney, Agent, or Firm* — Dinsmore & Shohl LLP

(57) **CLAIM**

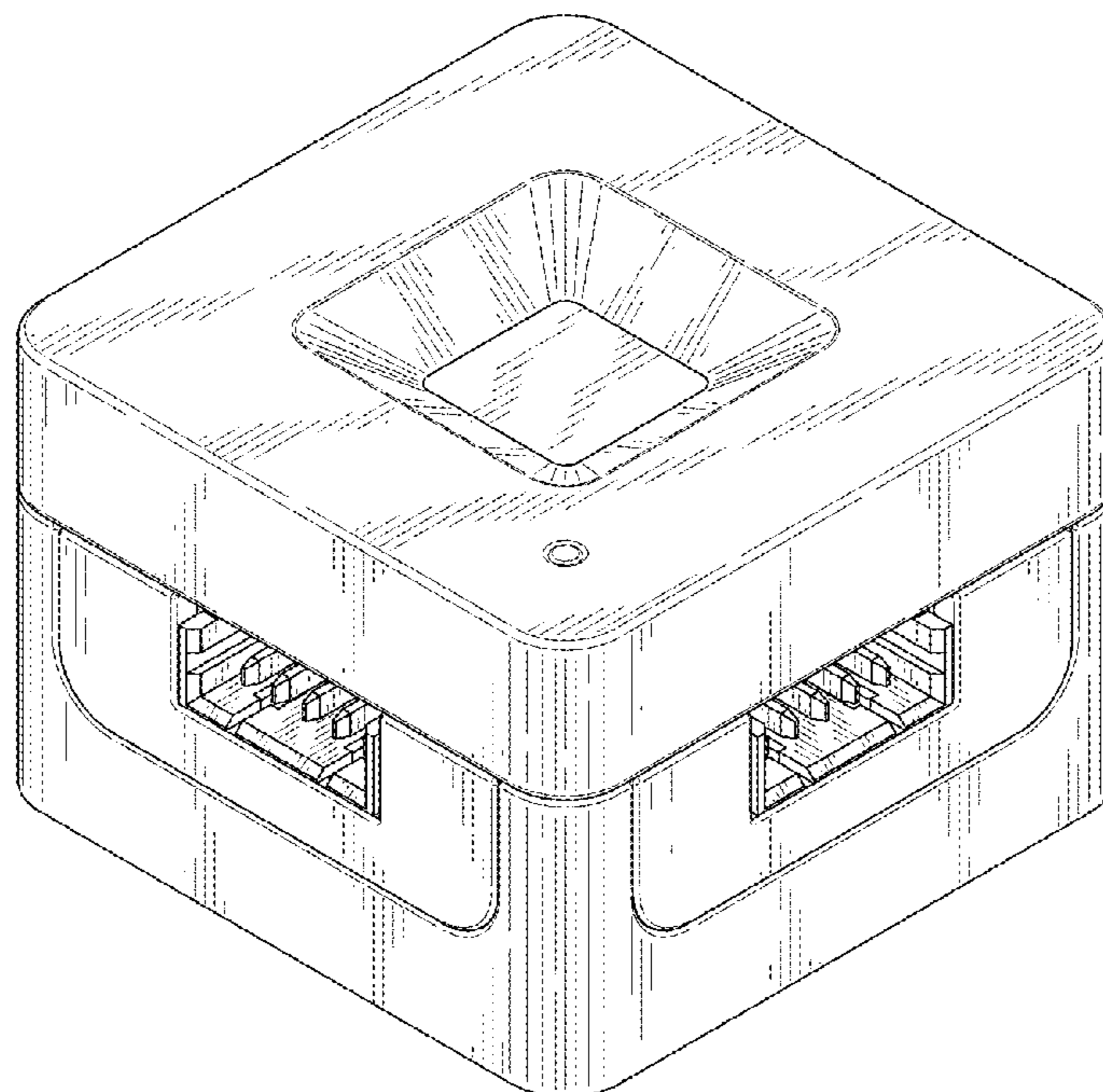
The ornamental design for a lamp module for electronic device, as shown and described.

**DESCRIPTION**

FIG. 1 is the front perspective view of a lamp module for electronic device showing our new design; FIG. 2 is the front view thereof; FIG. 3 is the rear view thereof; FIG. 4 is the left-side view thereof; FIG. 5 is the right-side view thereof; FIG. 6 is the top plan view thereof; and, FIG. 7 is the bottom plan view thereof.

The broken lines in the drawings depict parts of the lamp module for electronic device that form no part of the claim.

**1 Claim, 7 Drawing Sheets**



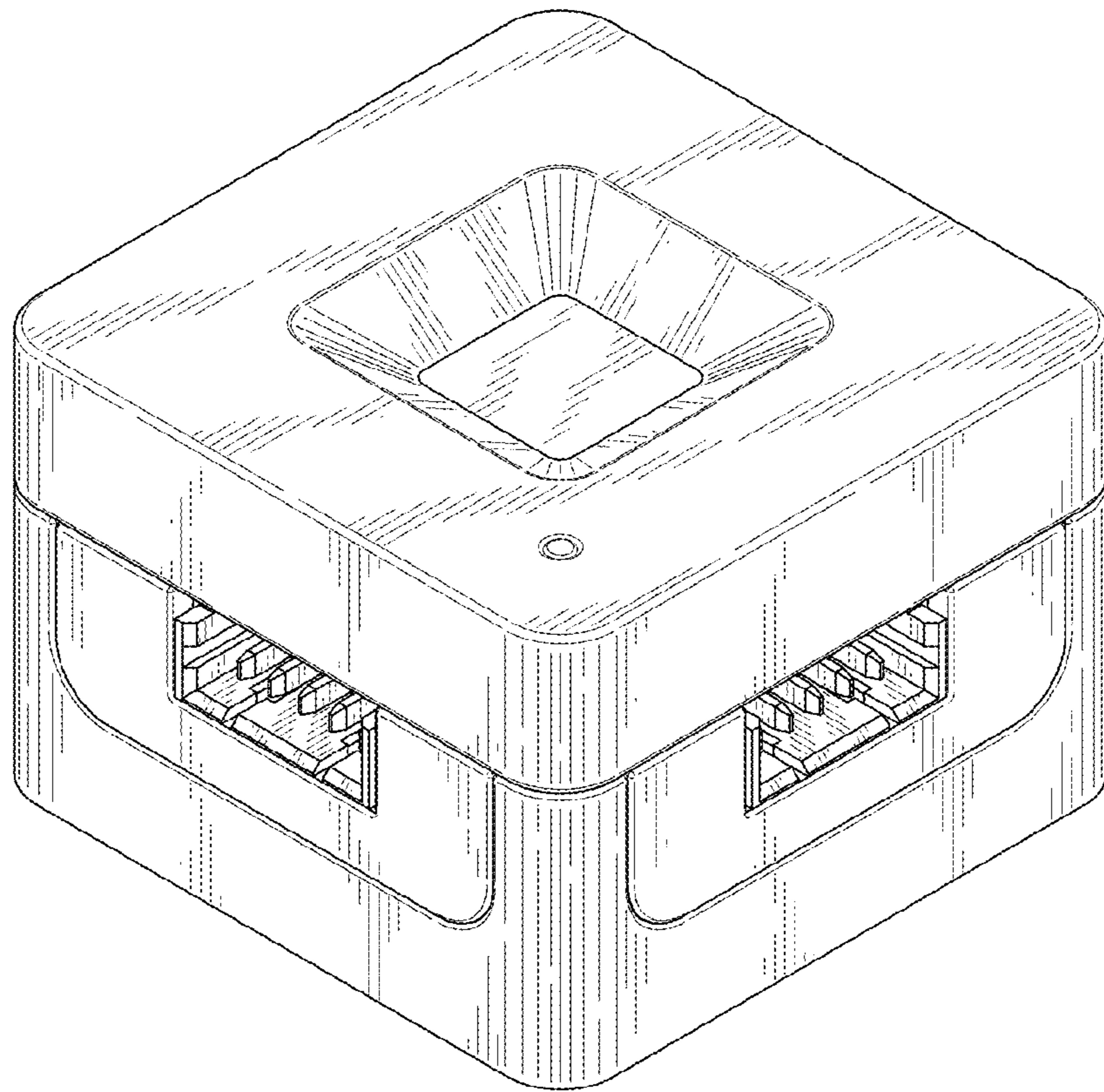


FIG. 1

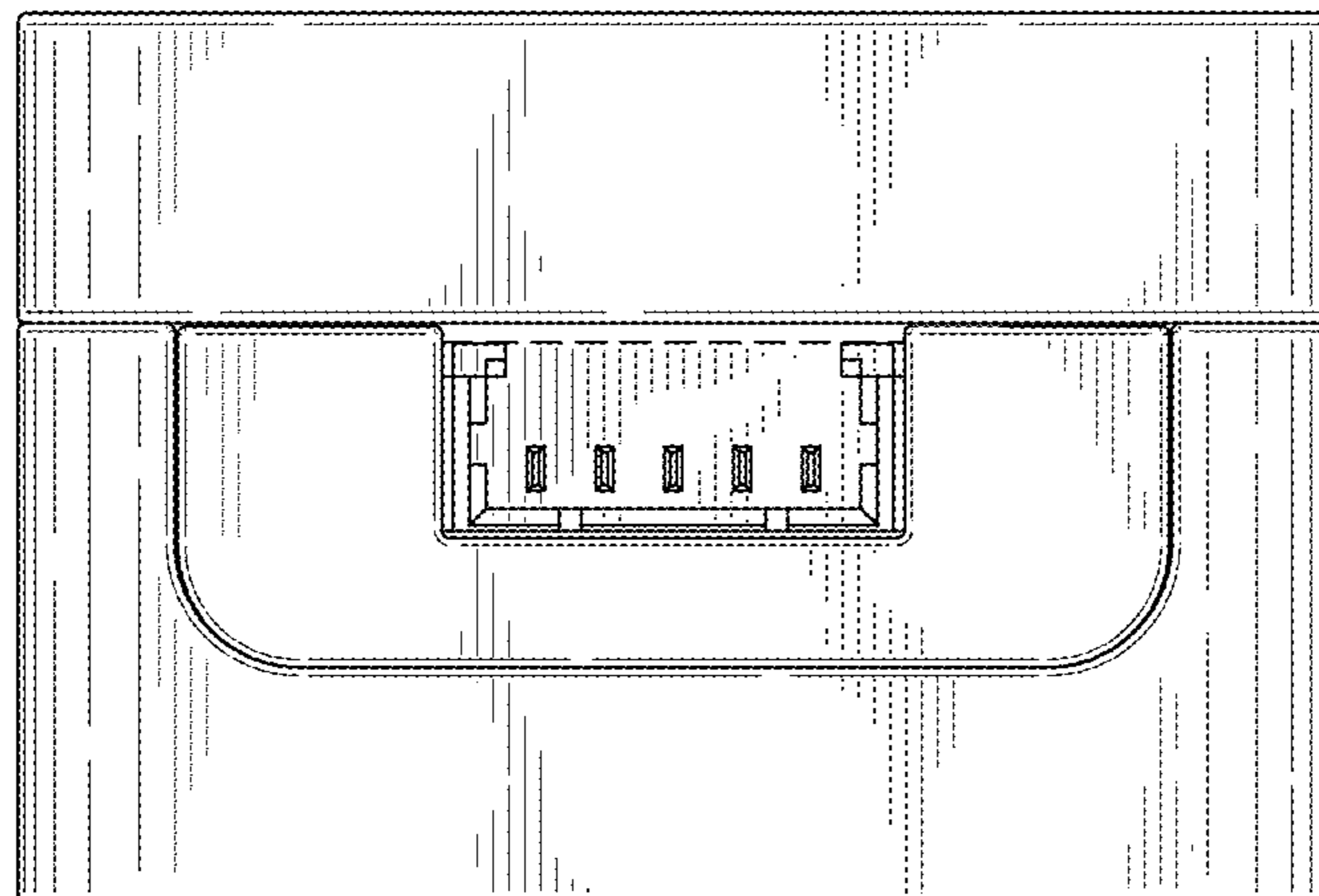


FIG. 2

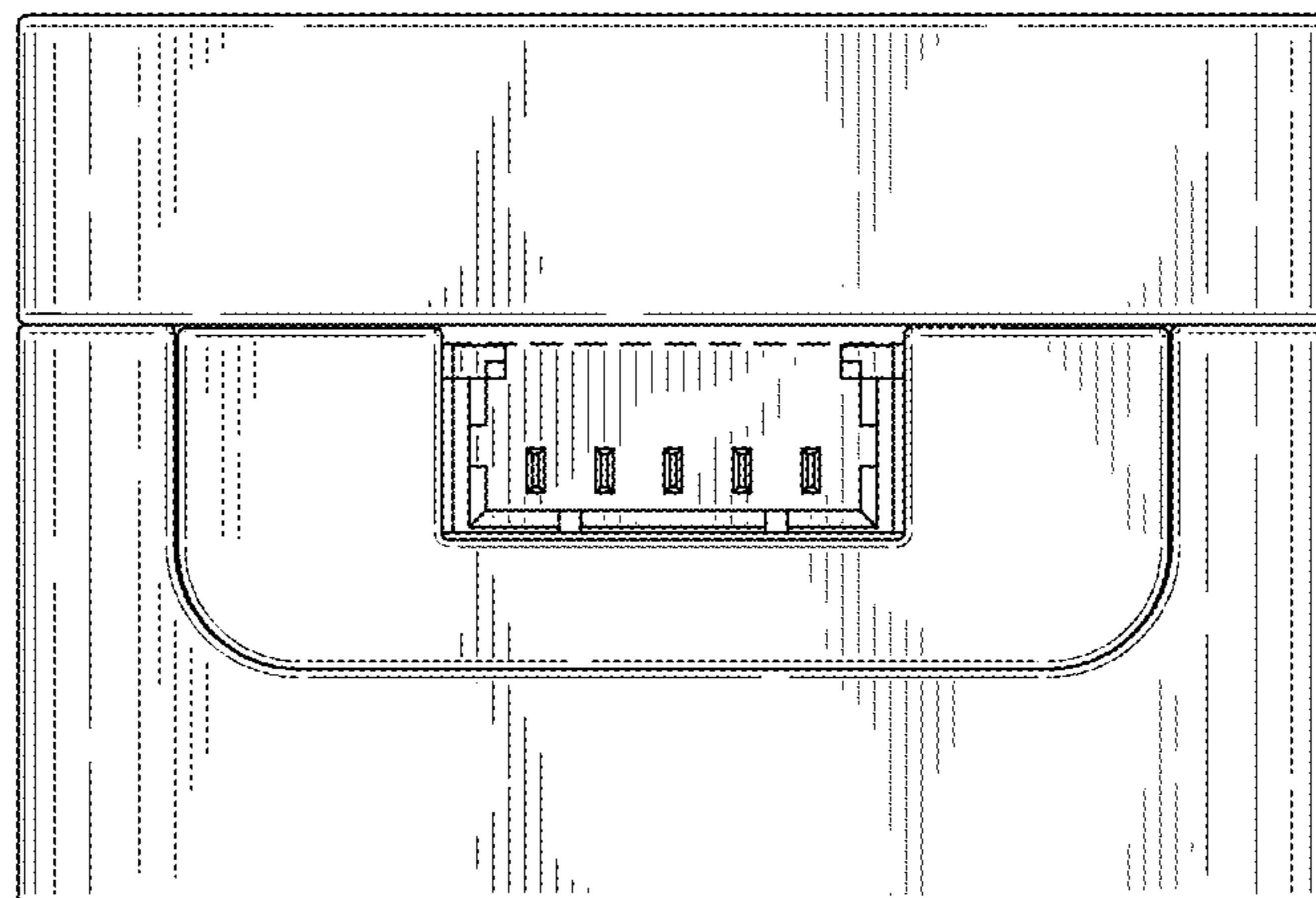


FIG. 3

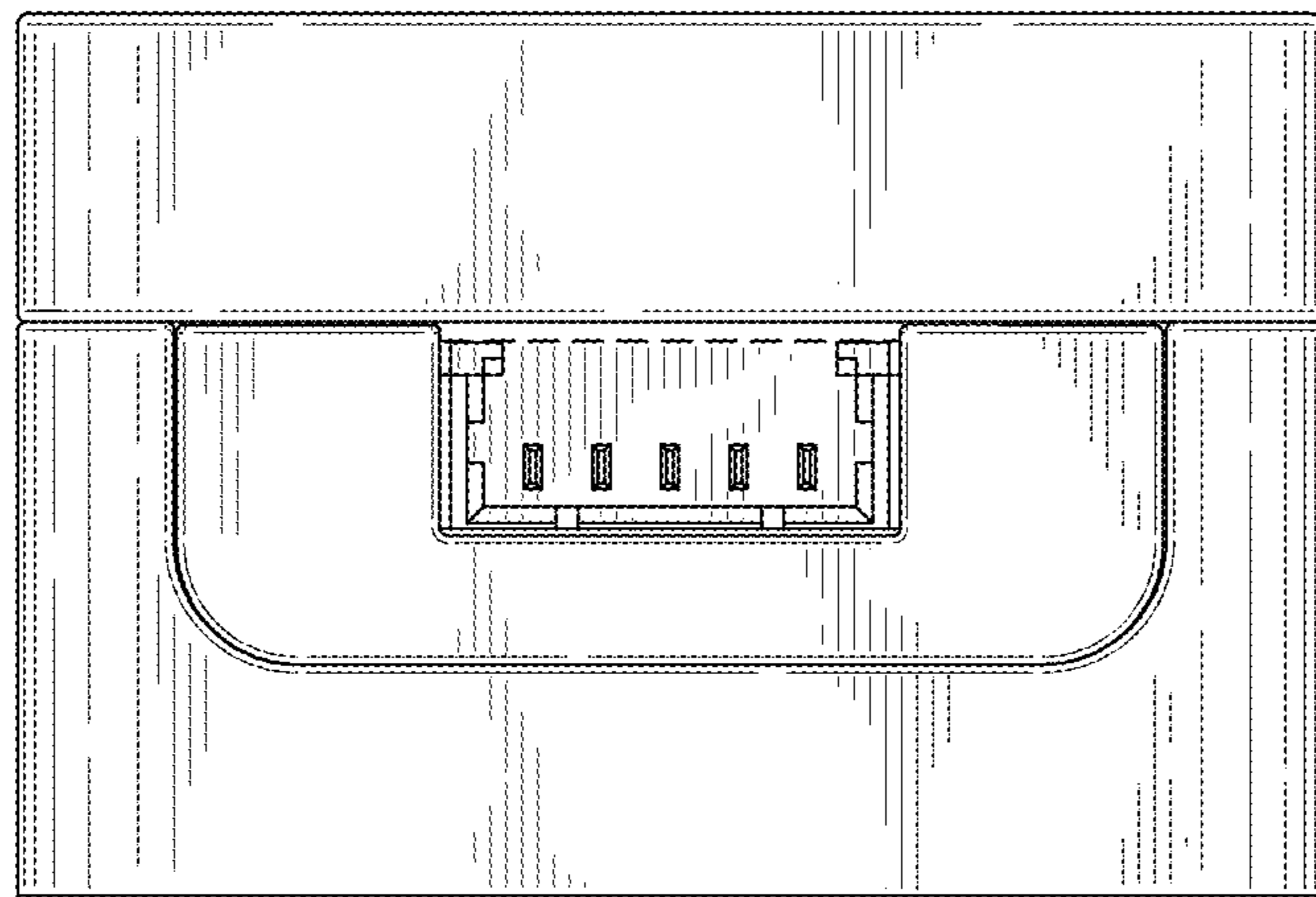


FIG. 4

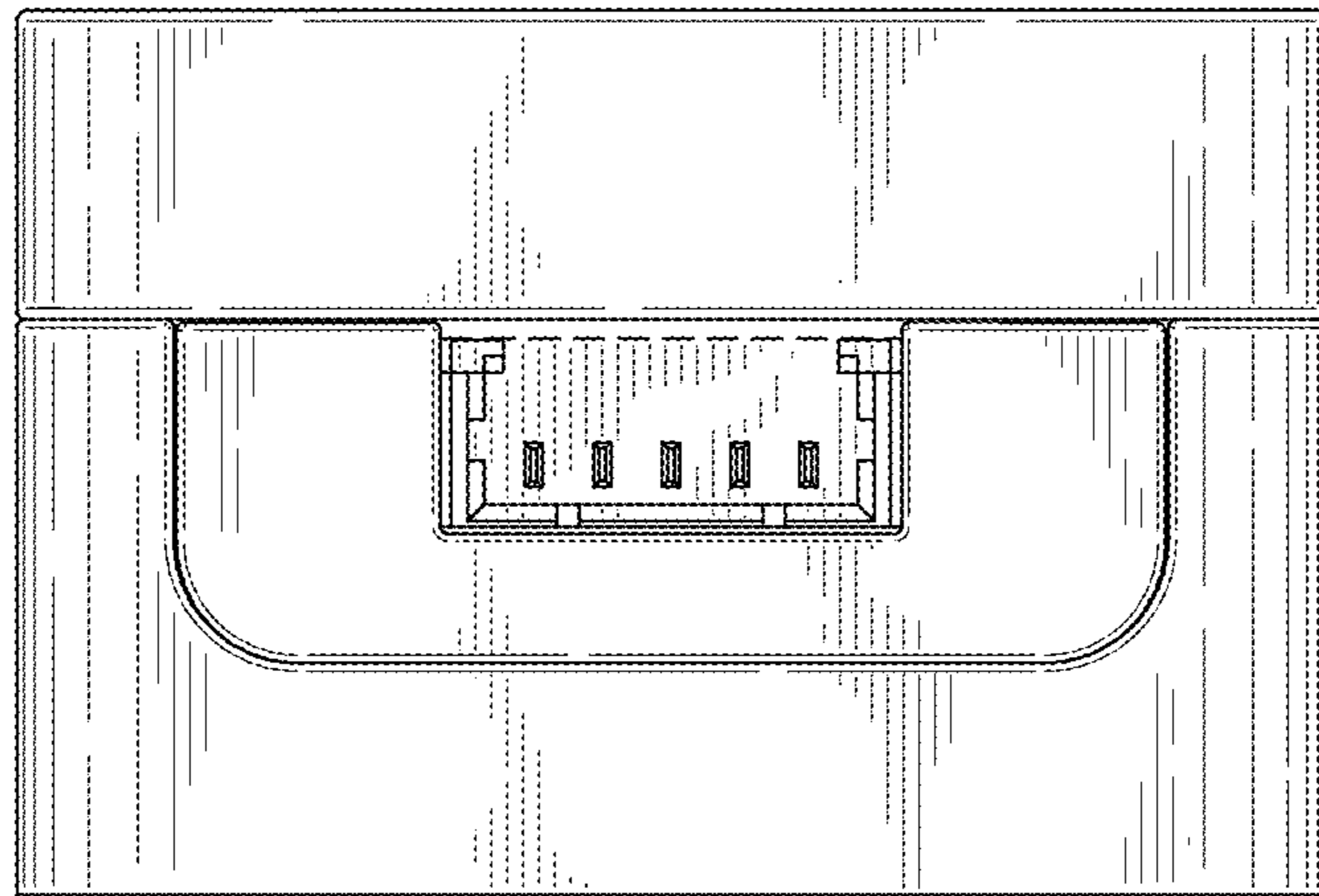


FIG. 5

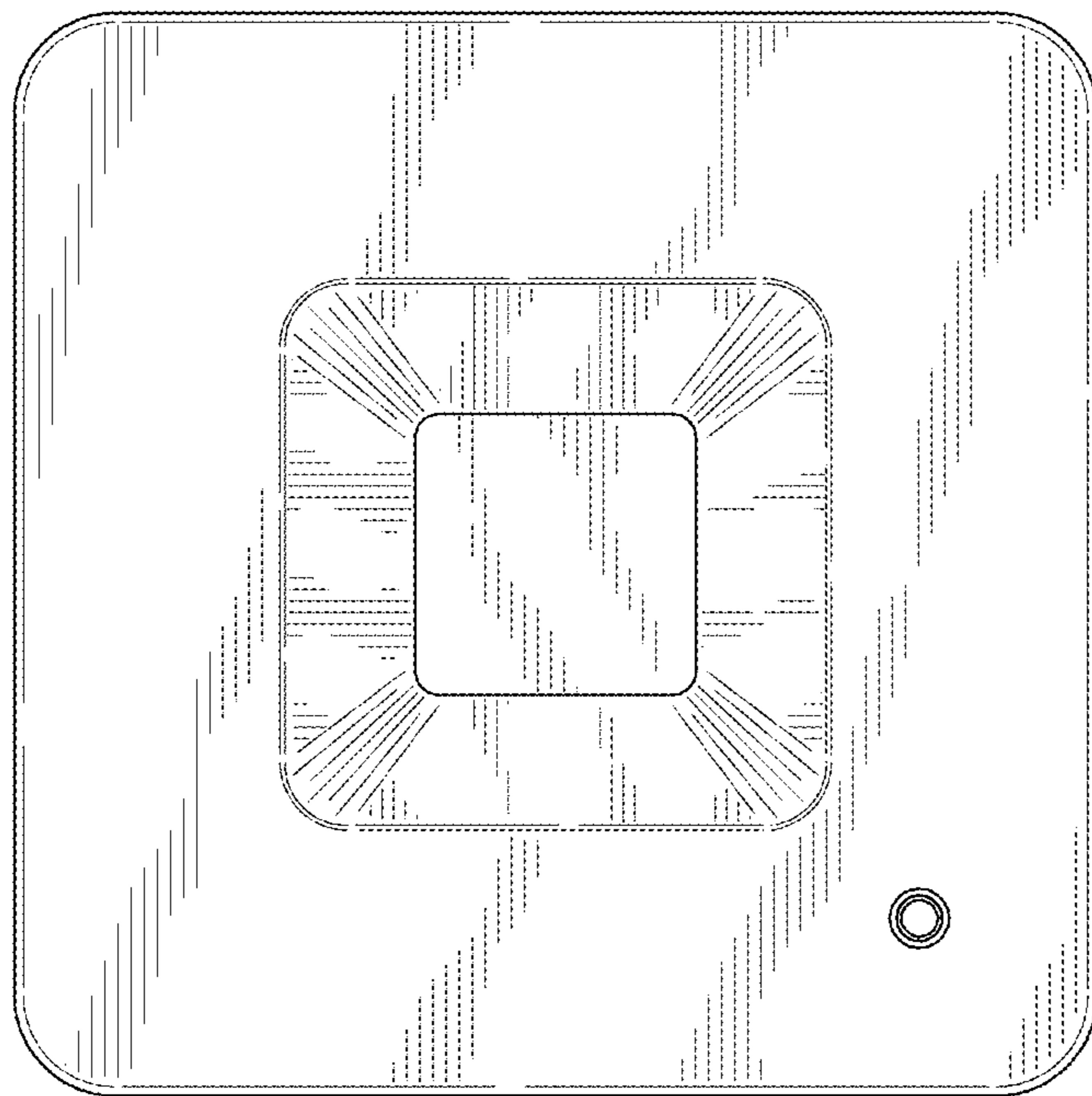


FIG. 6

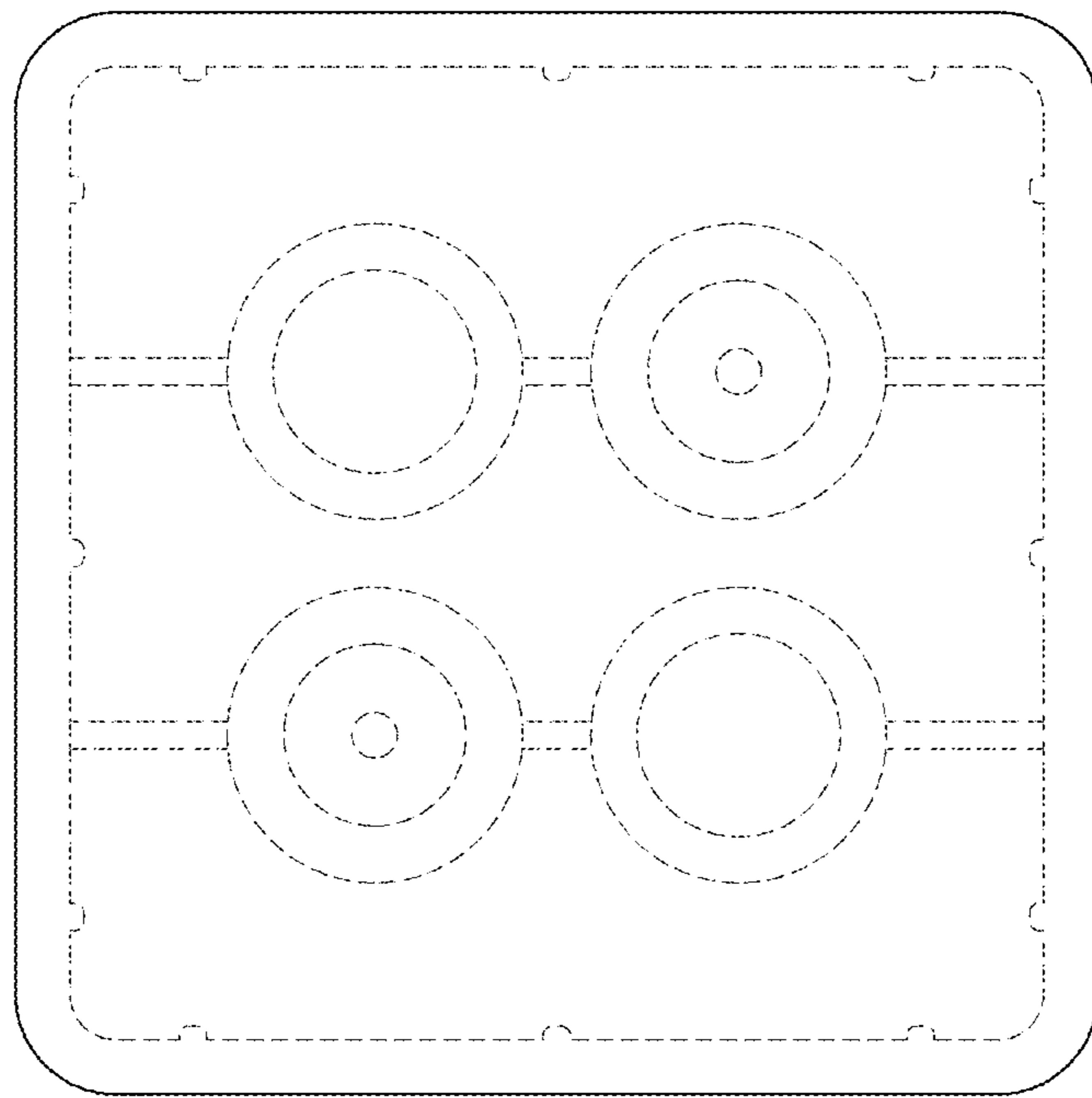


FIG. 7