



US00D827874S

(12) **United States Design Patent**
Menton

(10) **Patent No.:** **US D827,874 S**

(45) **Date of Patent:** **** Sep. 4, 2018**

(54) **DOUBLE BOWED REPLACEMENT TILE**

(71) Applicant: **Duane Menton**, Vallejo, CA (US)

(72) Inventor: **Duane Menton**, Vallejo, CA (US)

(73) Assignee: **Wencon Development, Inc.**, Walnut Creek, CA (US)

(**) Term: **15 Years**

(21) Appl. No.: **29/590,984**

(22) Filed: **Jan. 15, 2017**

(51) **LOC (11) Cl.** **25-99**

(52) **U.S. Cl.**
USPC **D25/199; D25/139**

(58) **Field of Classification Search**
USPC D25/138, 139, 140, 141, 199; D23/393
CPC E04D 1/00; E04D 1/06; E04D 1/12; E04D
1/30; E04D 2001/309
See application file for complete search history.

(56) **References Cited**

U.S. PATENT DOCUMENTS

- 1,975,304 A * 10/1934 Walter E04D 1/34
52/238.1
- 4,498,267 A * 2/1985 Beck E04D 3/34
52/309.1
- 4,752,520 A * 6/1988 Franklin B28B 1/29
428/161
- 5,048,255 A * 9/1991 Gonzales E04D 1/08
52/533
- 5,108,679 A * 4/1992 Rirsch C04B 28/02
106/675
- 5,722,212 A * 3/1998 Struve E04D 1/34
52/489.1
- D396,118 S * 7/1998 Saarenko D25/140
- 5,941,039 A * 8/1999 Law E04D 1/04
52/533
- D446,871 S * 8/2001 Thomas D25/144
- 6,658,807 B2 * 12/2003 Gambale E04D 1/04
52/518

- D519,219 S * 4/2006 Dodge D25/143
- D520,149 S * 5/2006 Dodge D25/143
- D562,993 S * 2/2008 Shepherd D25/141
- D611,163 S * 3/2010 Ziliotto D25/139
- 7,757,440 B2 * 7/2010 Austin E04D 13/004
52/302.1
- 7,901,278 B2 * 3/2011 O'Hagin E04D 1/30
454/365
- 8,607,510 B2 * 12/2013 Daniels E04D 1/30
126/622

(Continued)

OTHER PUBLICATIONS

Quick Mount PV Tile Replacement Mount—CivicSolar (on-line), no date available. Retrieved from Internet Apr. 15, 2018, URL: <https://www.civicsolar.com/support/installer/articles/quick-mount-pv-tile-replacement-mount> (4 pages).*

(Continued)

Primary Examiner — Vy N Koenig
Assistant Examiner — Kimberly Barnes
(74) *Attorney, Agent, or Firm* — Temmerman Law Office;
Mathew J. Temmerman

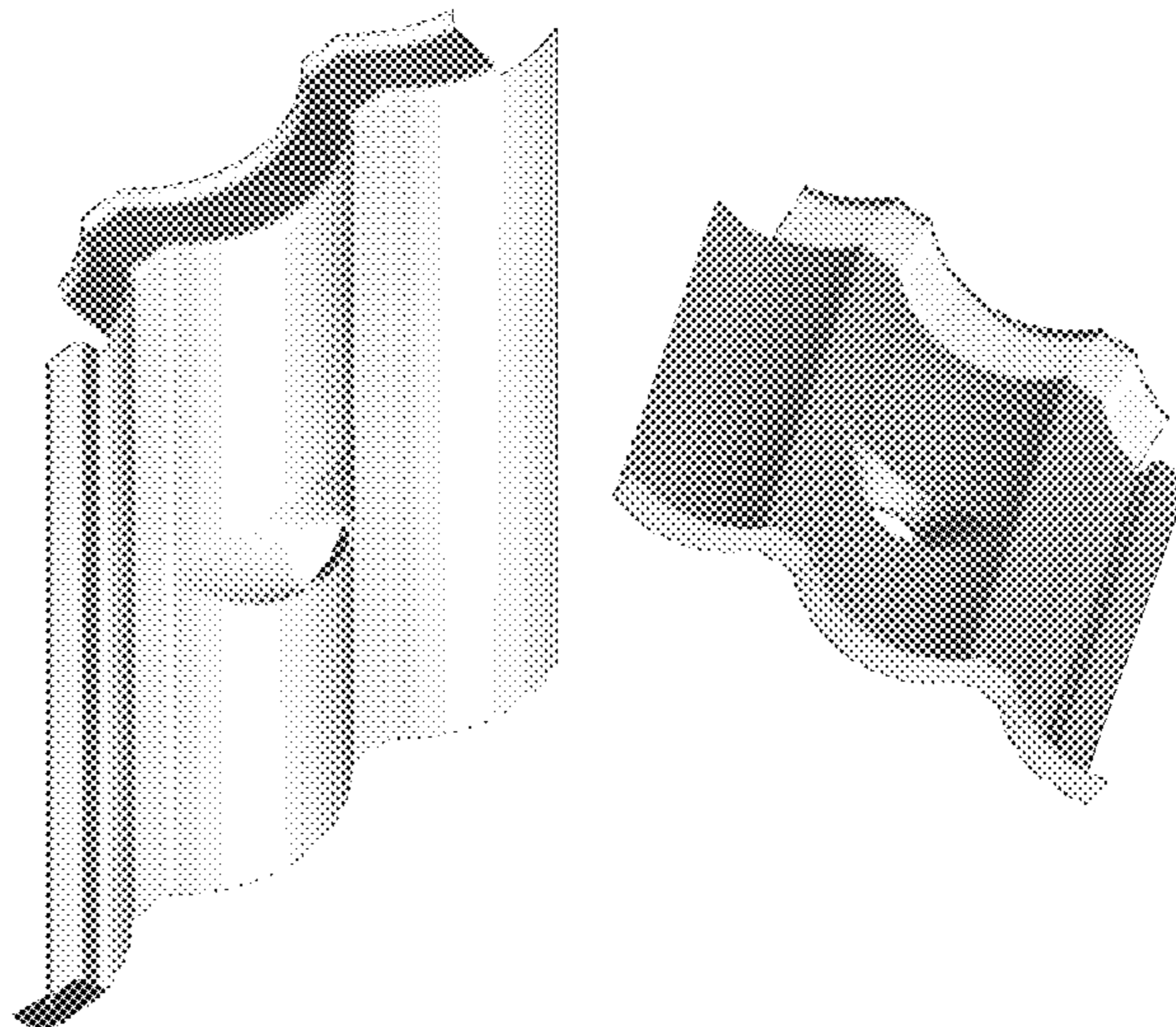
(57) **CLAIM**

I claim the ornamental design for a double bowed replacement tile, as shown and described.

DESCRIPTION

FIG. 1 is a top plan view of a double bowed replacement tile, showing my new design;
FIG. 2 is a front elevation view thereof;
FIG. 3 is a bottom plan view thereof;
FIG. 4 is a rear elevation view thereof;
FIG. 5 is a first isometric view thereof;
FIG. 6 is a second isometric view thereof;
FIG. 7 is a left side elevation view thereof; and,
FIG. 8 is a right side elevation thereof.

1 Claim, 5 Drawing Sheets



(56)

References Cited

U.S. PATENT DOCUMENTS

8,793,943	B2 *	8/2014	Daniels	E04D 1/26 52/198
9,068,762	B2 *	6/2015	Noton	E04D 1/04
2005/0086891	A1 *	4/2005	Gambale	E04D 1/04 52/578
2008/0299892	A1 *	12/2008	Robinson	E04D 1/30 454/366
2012/0190288	A1 *	7/2012	Willen	E04D 1/30 454/250
2015/0253021	A1 *	9/2015	Daniels	E04D 1/30 454/341

OTHER PUBLICATIONS

Quick Mount PV—Respect the Roof—Quickest, Longest Lasting PV Solar Roof (on-line), dated Jun. 13, 2016. Retrieved from Internet Apr. 15, 2018, URL: <https://web.archive.org/web/20160613055830/http://www.quickmountpv.com/products/e-mount.html?cur=0> (2 pages).*

* cited by examiner

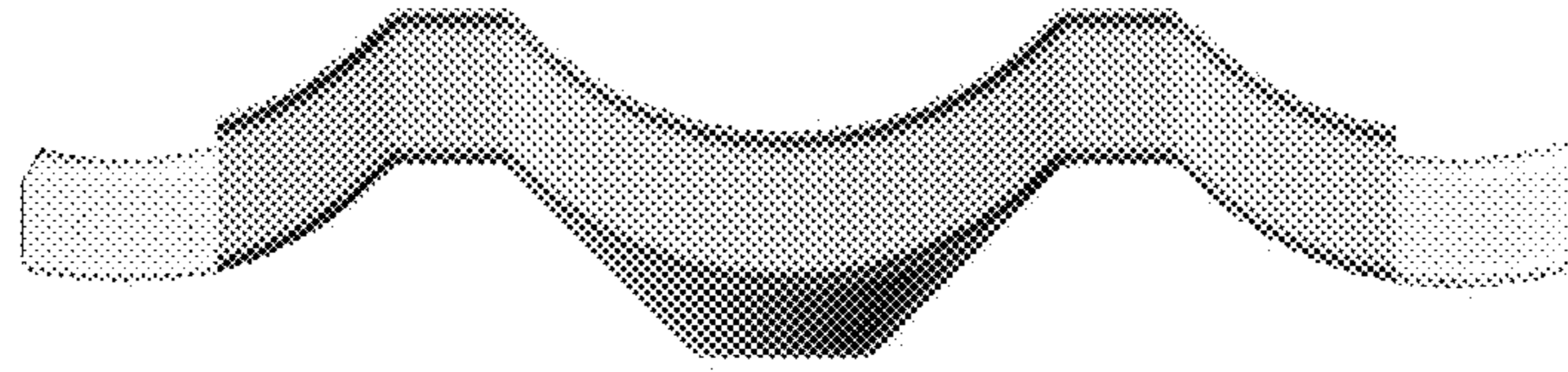


Fig. 1

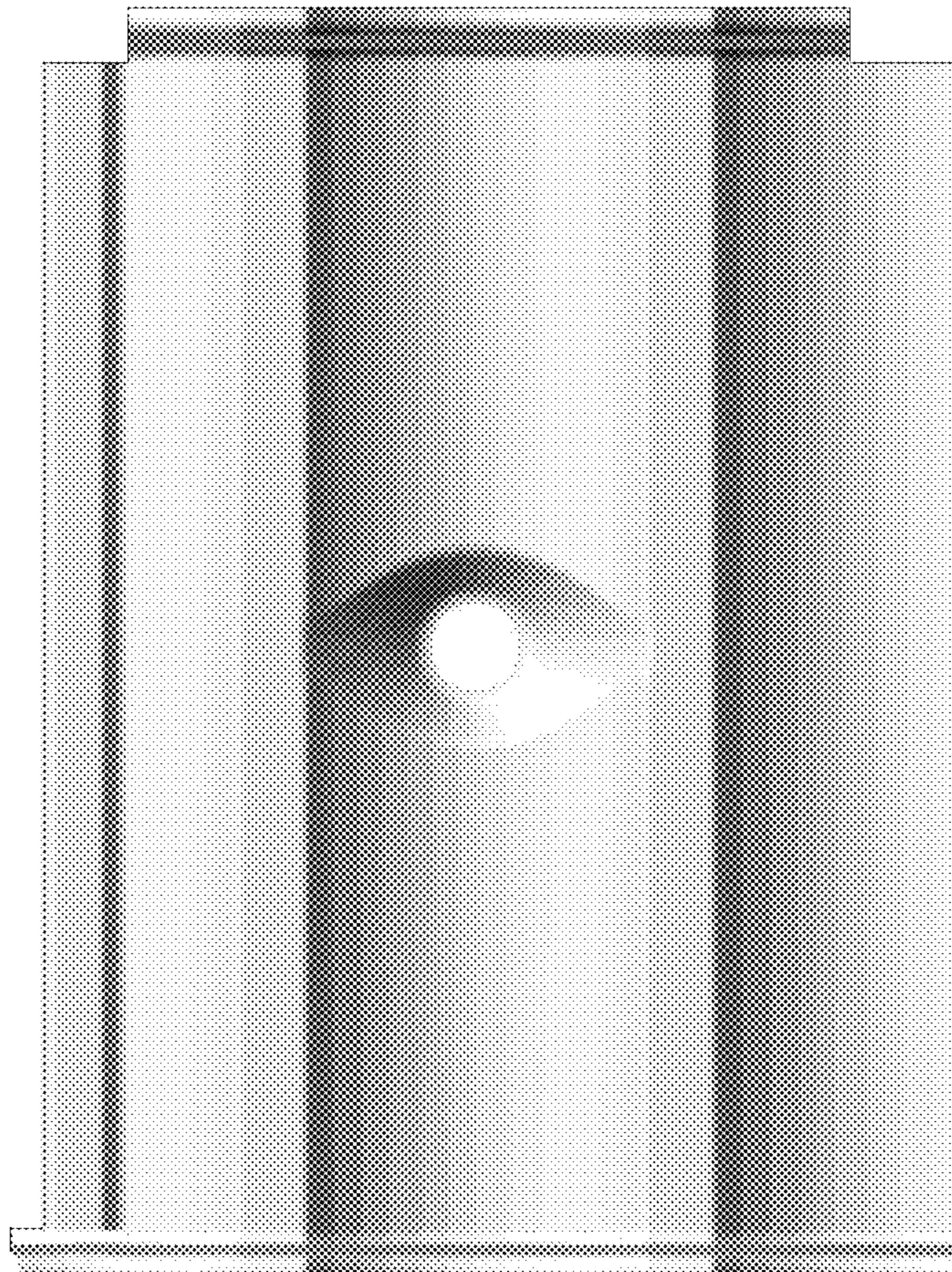


Fig. 2

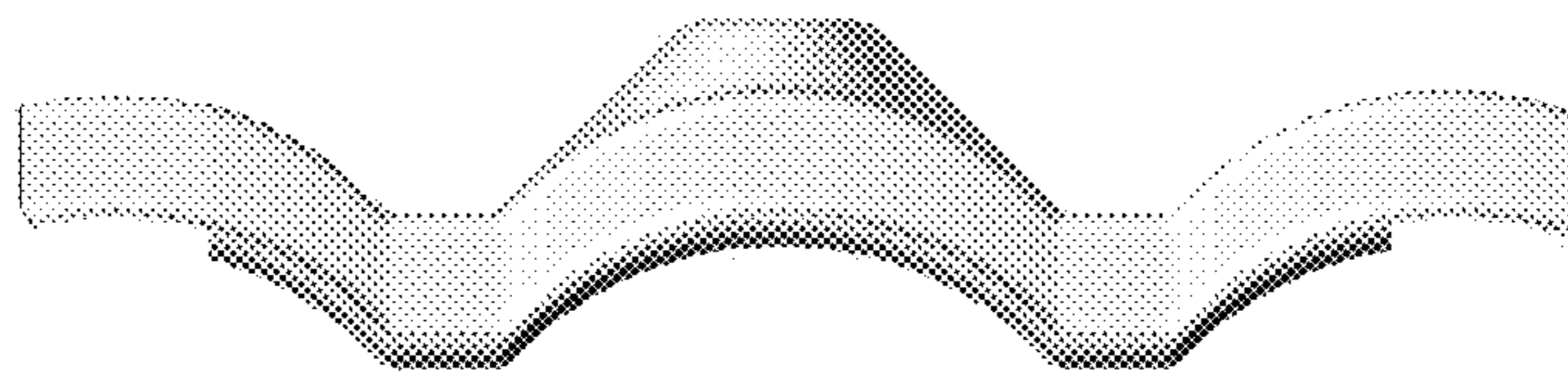


Fig. 3

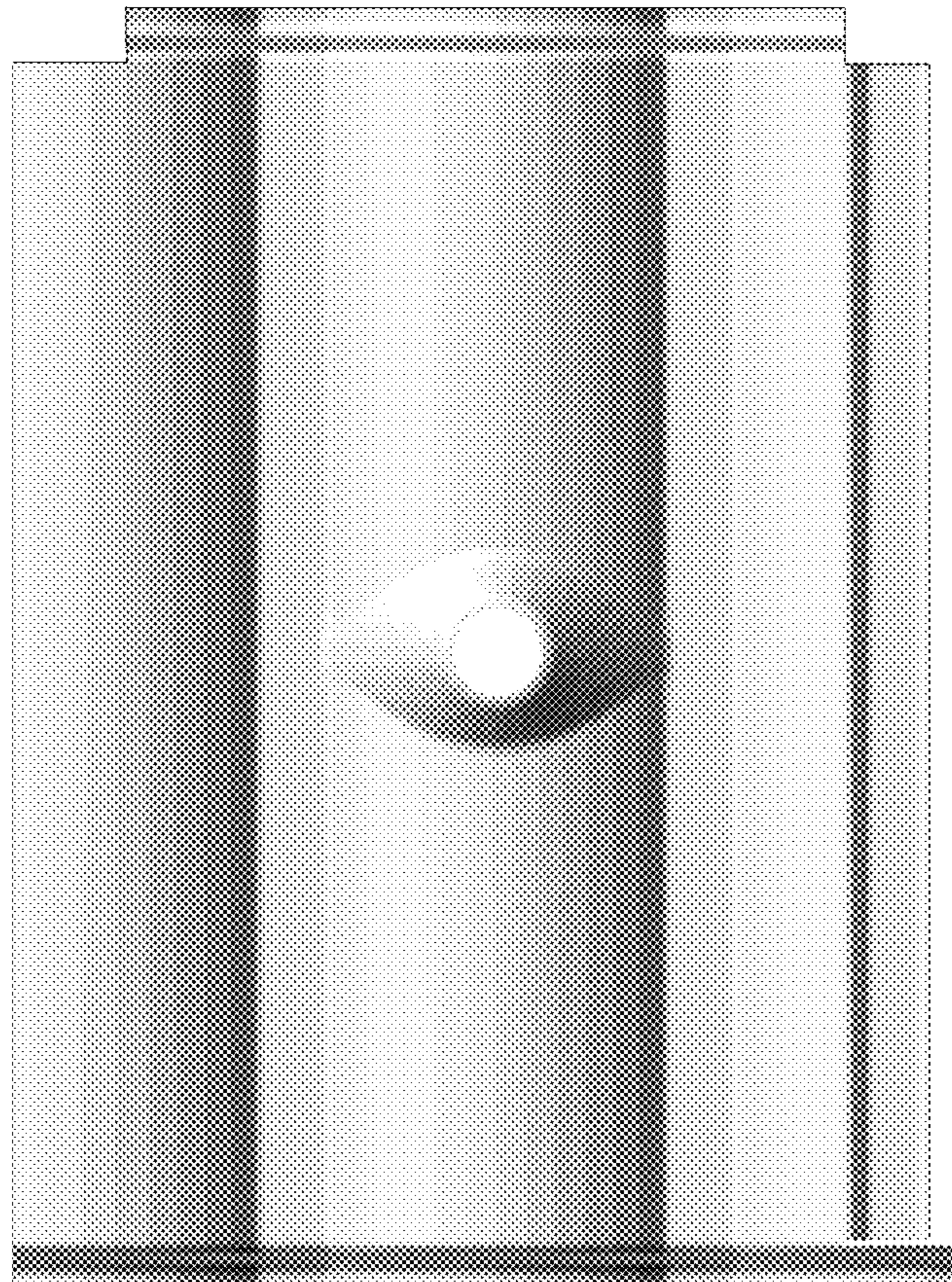


Fig. 4

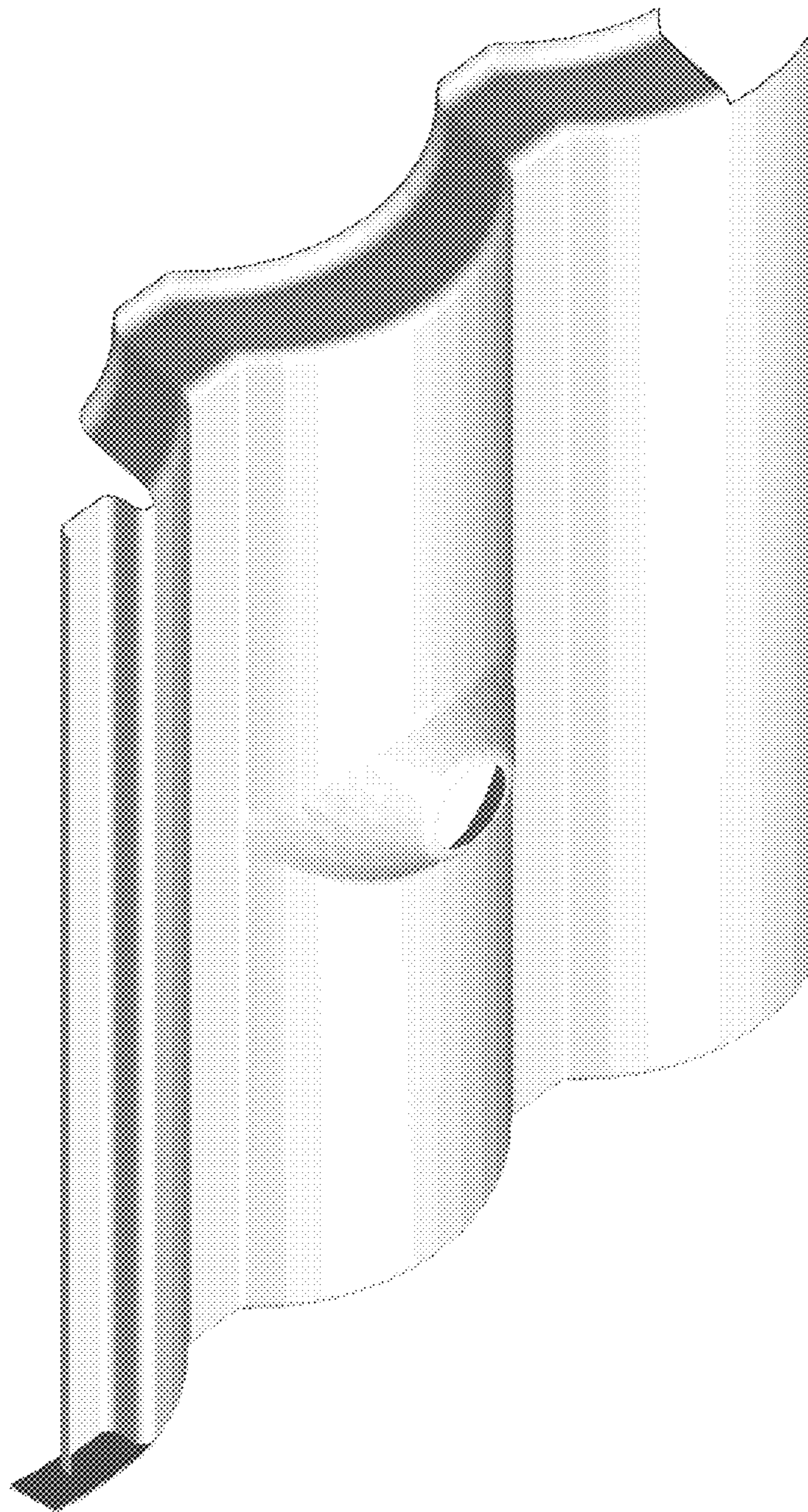


Fig. 5

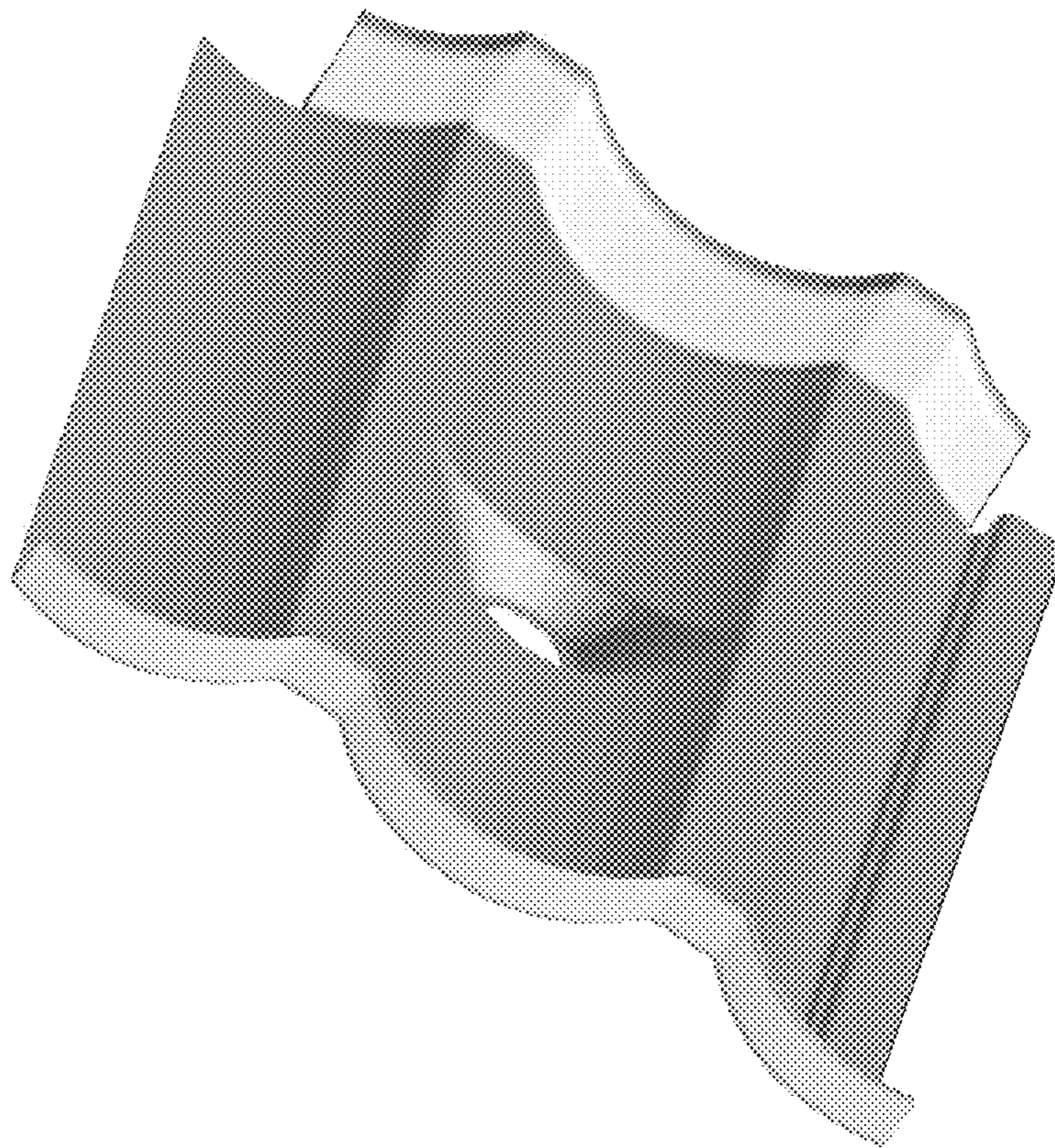


Fig. 6

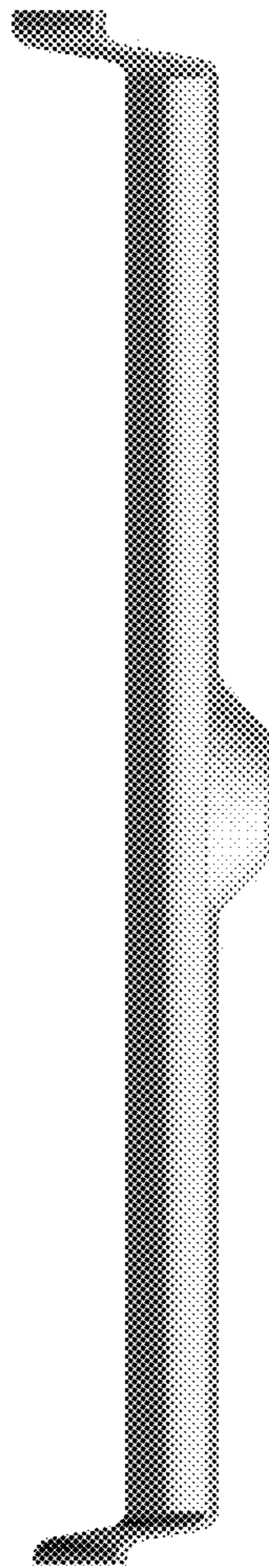


Fig. 7

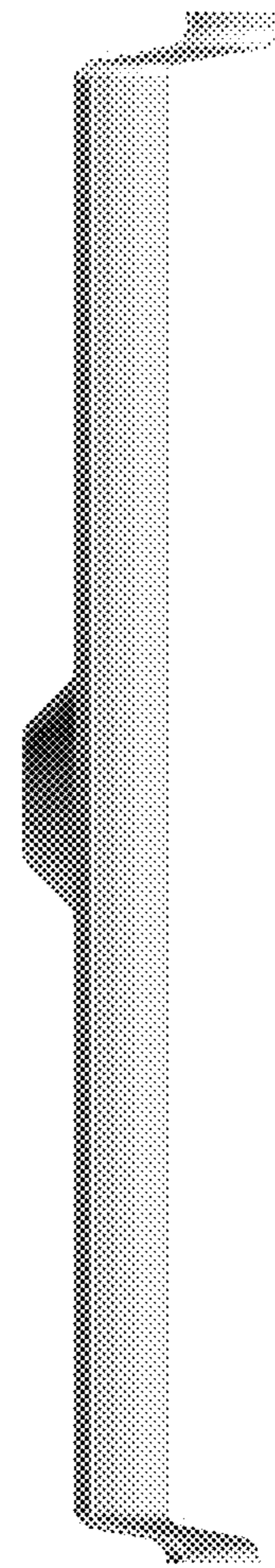


Fig. 8