



US00D827873S

(12) **United States Design Patent**
Menton

(10) **Patent No.:** **US D827,873 S**

(45) **Date of Patent:** **** Sep. 4, 2018**

- (54) **BOWED REPLACEMENT TILE**
- (71) Applicant: **Duane Menton**, Vallejo, CA (US)
- (72) Inventor: **Duane Menton**, Vallejo, CA (US)
- (73) Assignee: **Wencon Development, Inc.**, Walnut Creek, CA (US)
- (**) Term: **15 Years**

- 7,013,611 B2 * 3/2006 Ramon-Borja E04D 1/04
52/314
- D567,966 S * 4/2008 Simmons D25/140
- D574,973 S * 8/2008 Simmons D25/140
- 7,506,477 B2 * 3/2009 Flaherty E04D 1/08
136/244
- D602,611 S * 10/2009 Truss D25/140
- D603,070 S * 10/2009 Day D25/140
- D604,433 S * 11/2009 Fifield D25/141
- D608,475 S * 1/2010 Simmons E04D 1/04
D25/140
- D608,916 S * 1/2010 Simmons D25/140

(21) Appl. No.: **29/590,982**

(22) Filed: **Jan. 15, 2017**

(51) **LOC (11) Cl.** **25-99**

(52) **U.S. Cl.**
USPC **D25/199**; D25/139

(58) **Field of Classification Search**
USPC D25/138, 139, 140, 141, 199; D23/393
CPC E04D 1/00; E04D 1/06; E04D 1/12; E04D
1/30; E04D 2001/309
See application file for complete search history.

(56) **References Cited**

U.S. PATENT DOCUMENTS

- 478,171 A * 7/1892 Rapp E04D 1/265
52/533
- 749,182 A * 1/1904 Grath E04D 1/04
52/537
- 1,237,687 A * 8/1917 Nottebohm E04D 1/04
52/538
- 1,975,304 A * 10/1934 Walter E04D 1/34
52/238.1
- D218,540 S * 8/1970 Powel D25/140
- 4,040,211 A * 8/1977 Wotherspoon E04D 1/06
52/100
- D245,712 S * 9/1977 Wotherspoon D25/140
- 4,145,860 A * 3/1979 Wotherspoon E04D 1/06
428/141
- 6,491,579 B1 * 12/2002 O'Hagin E04D 1/30
454/250

(Continued)

OTHER PUBLICATIONS

QRail System: See How It Works (on-line), no date available.
Retrieved from Internet Apr. 15, 2018, URL: <http://www.quickmountpv.com/support/videos/qrail-see-how.html> (1 page).*

(Continued)

Primary Examiner — Vy N Koenig

Assistant Examiner — Kimberly Barnes

(74) *Attorney, Agent, or Firm* — Temmerman Law Office;
Mathew J. Temmerman

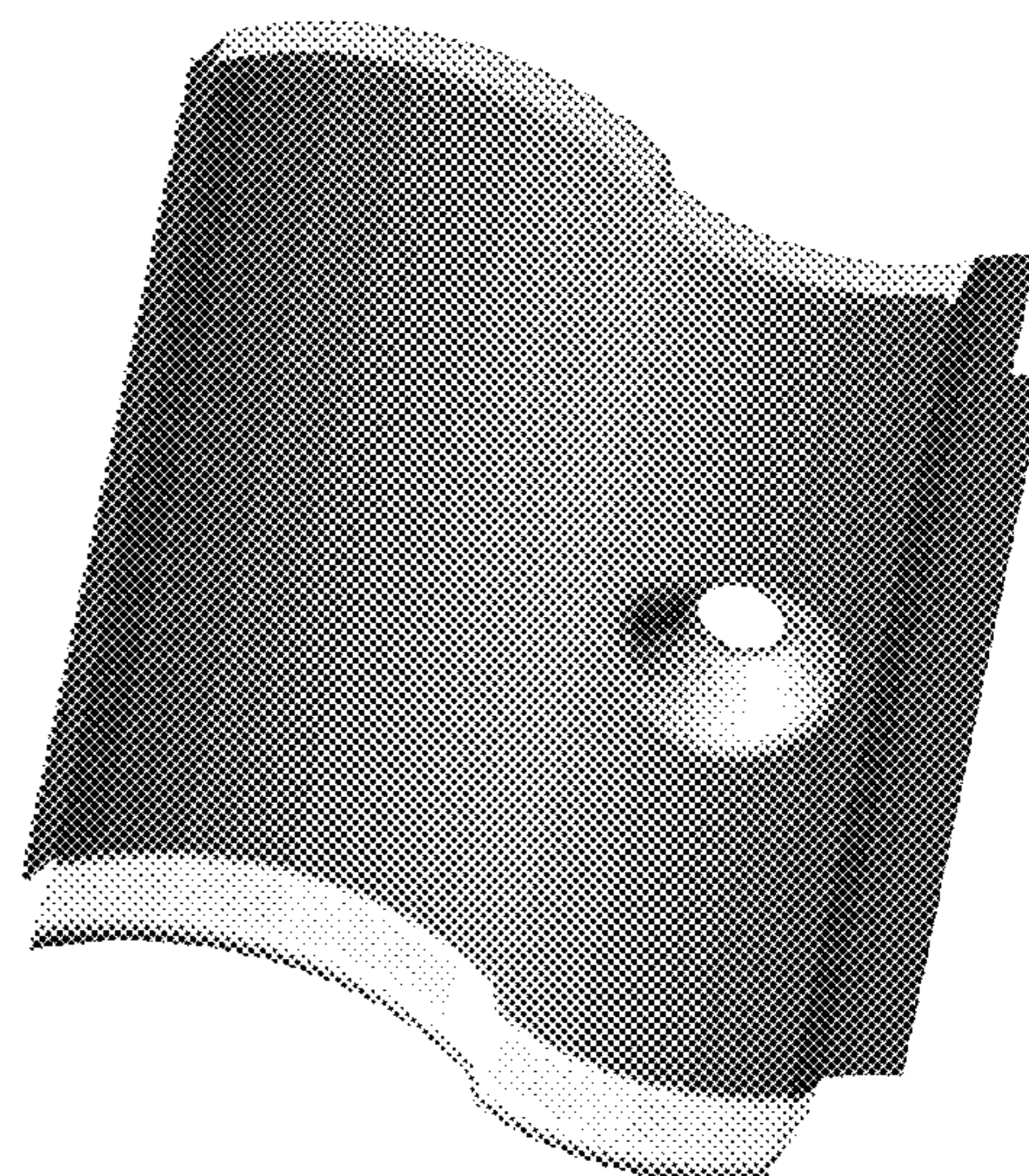
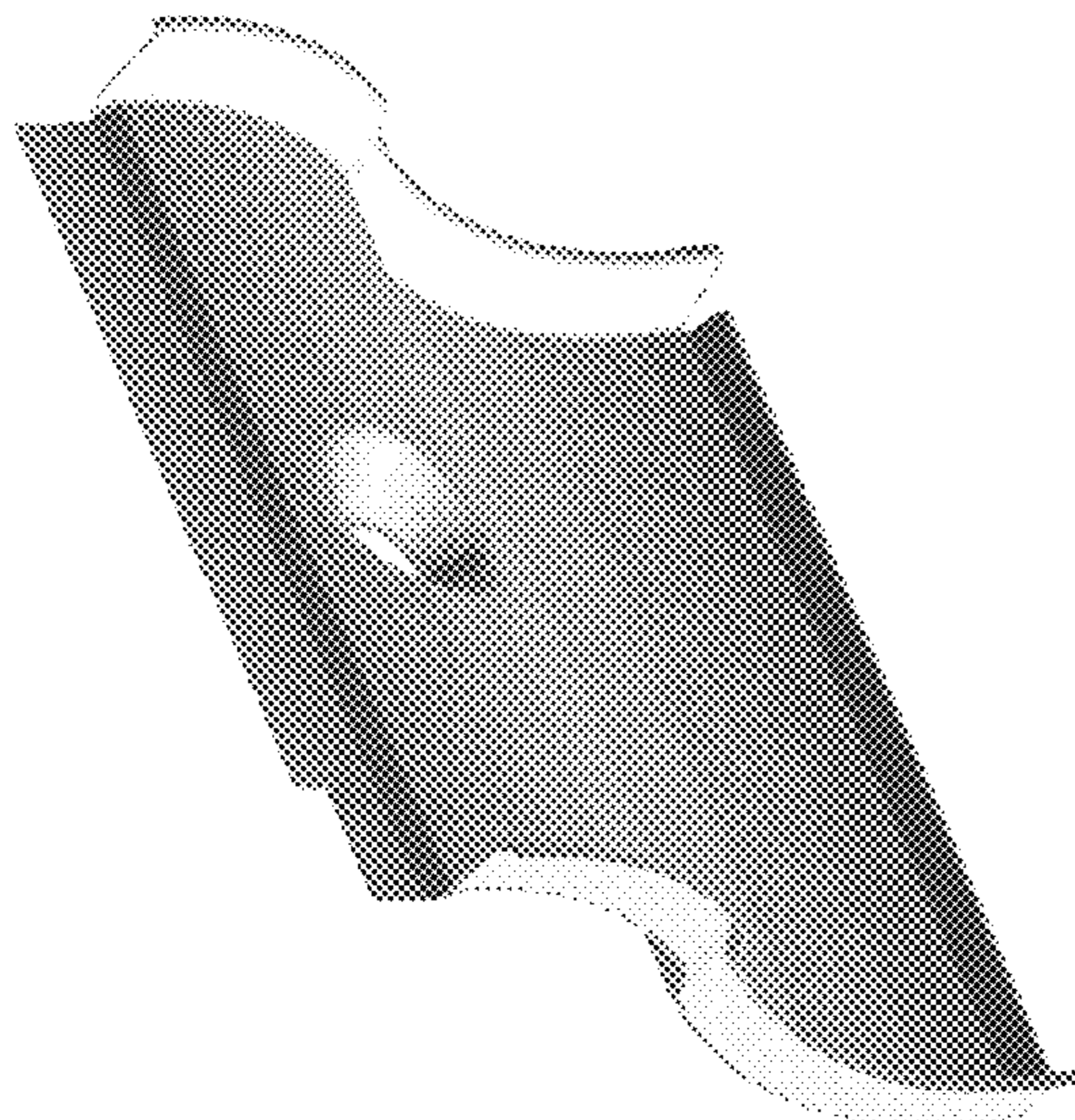
(57) **CLAIM**

I claim the ornamental design for bowed replacement tile, as shown and described.

DESCRIPTION

FIG. 1 is a top plan view of a bowed replacement tile, showing my new design;
FIG. 2 is a front elevation view thereof;
FIG. 3 is a bottom plan view thereof;
FIG. 4 is a rear elevation view thereof;
FIG. 5 is a first isometric view thereof;
FIG. 6 is a second isometric view thereof;
FIG. 7 is a left side elevation view thereof; and,
FIG. 8 is a right side elevation thereof.

1 Claim, 5 Drawing Sheets



(56)

References Cited

U.S. PATENT DOCUMENTS

7,757,440 B2 * 7/2010 Austin E04D 13/004
52/302.1
8,087,206 B1 * 1/2012 Worley E04D 1/30
52/520
9,394,693 B2 * 7/2016 Daniels E04D 13/00
9,624,669 B2 * 4/2017 Torres E04D 1/08
2004/0237442 A1 * 12/2004 Simmons E04D 1/04
52/518
2015/0253021 A1 * 9/2015 Daniels E04D 1/30
454/341

OTHER PUBLICATIONS

Quick Mount PV—S-Tile Flashing and 3.25 Post—Tile Replacement Mount (on-line), no date available. Retrieved from Internet Apr. 15, 2018, URL: http://www.ecodirect.com/Quick-Mount-PV-QMTR-53-25-A-1-S-Tile-Flashing-p/quicknmount-qmtr-s3.25-a-1.htm?gclid=EAlaQobChMI7KL0t-682gIVCrbICh1VZAmnEAQYAiABEgL6HfD_BwE (1 page).*

Quick Mount PV Tile Replacement Mount—CivicSolar (on-line), no date available. Retrieved from Internet Apr. 15, 2018, URL: <https://www.civicsolar.com/support/installer/articles/quick-mount-pv-tile-replacement-mount> (4 pages).*

* cited by examiner

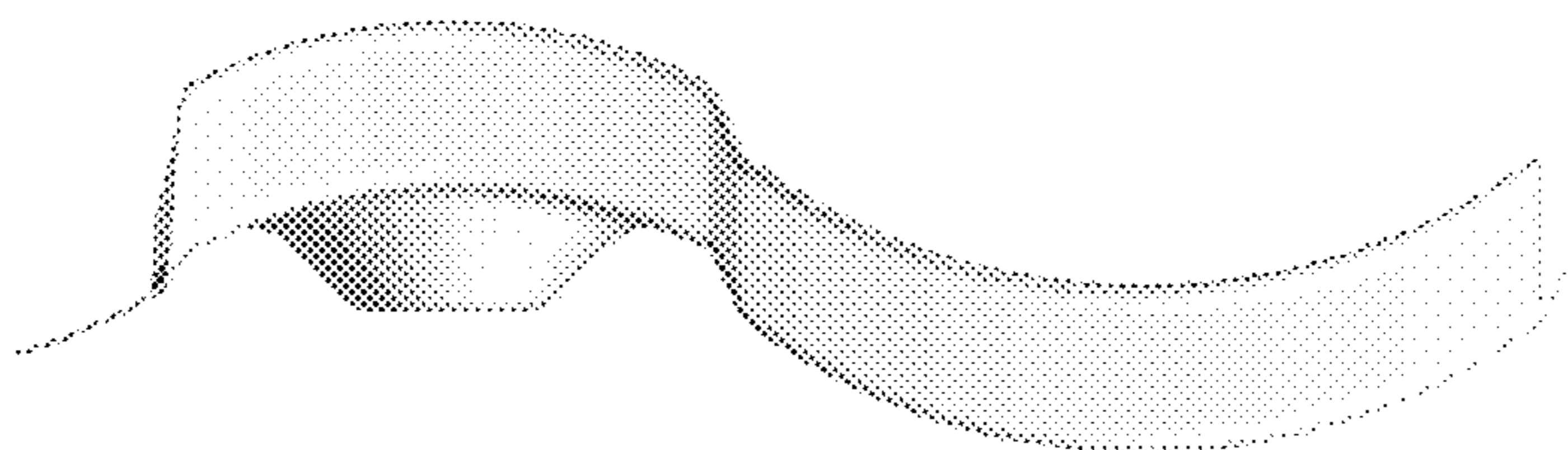


Fig 1

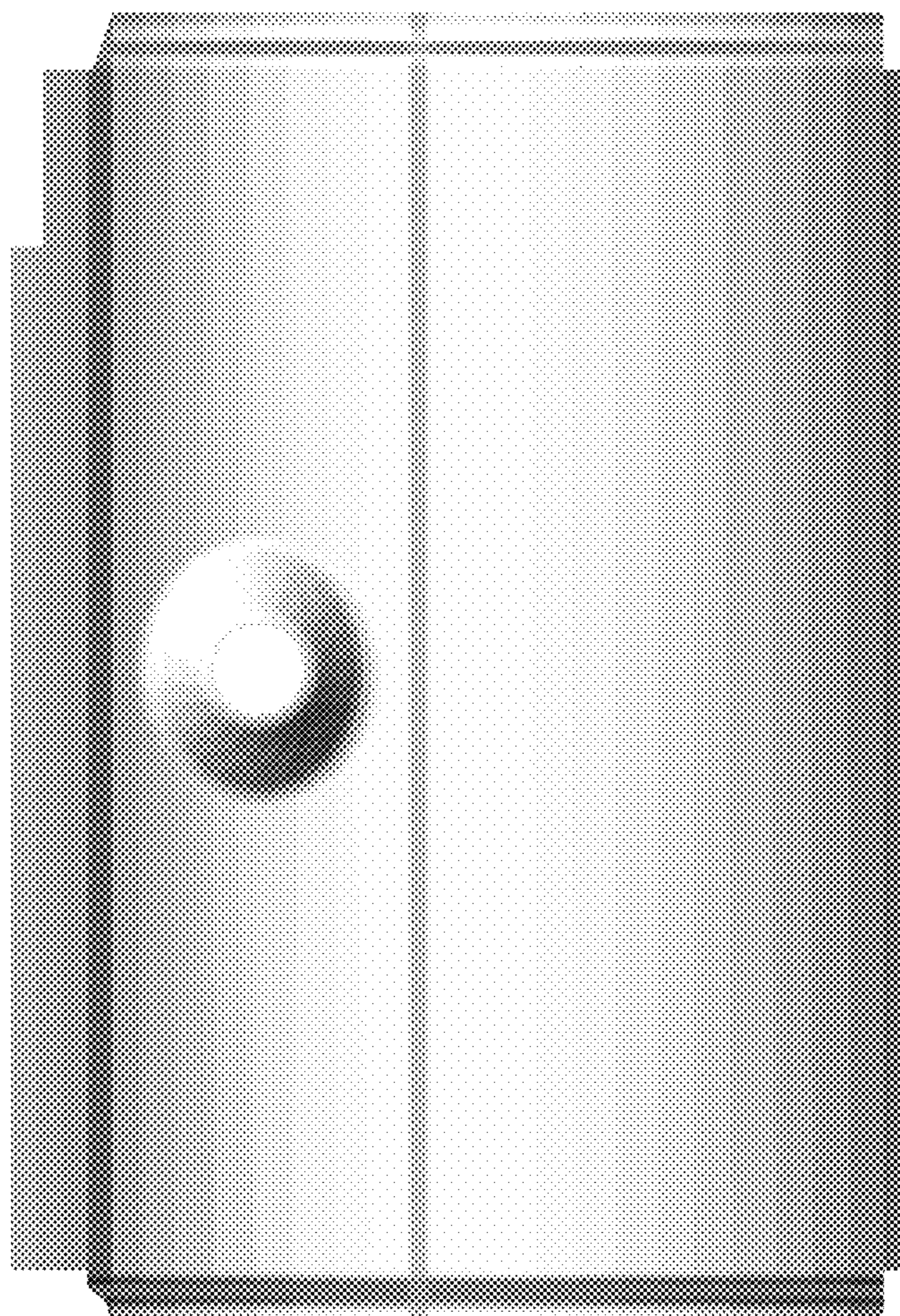


Fig. 2

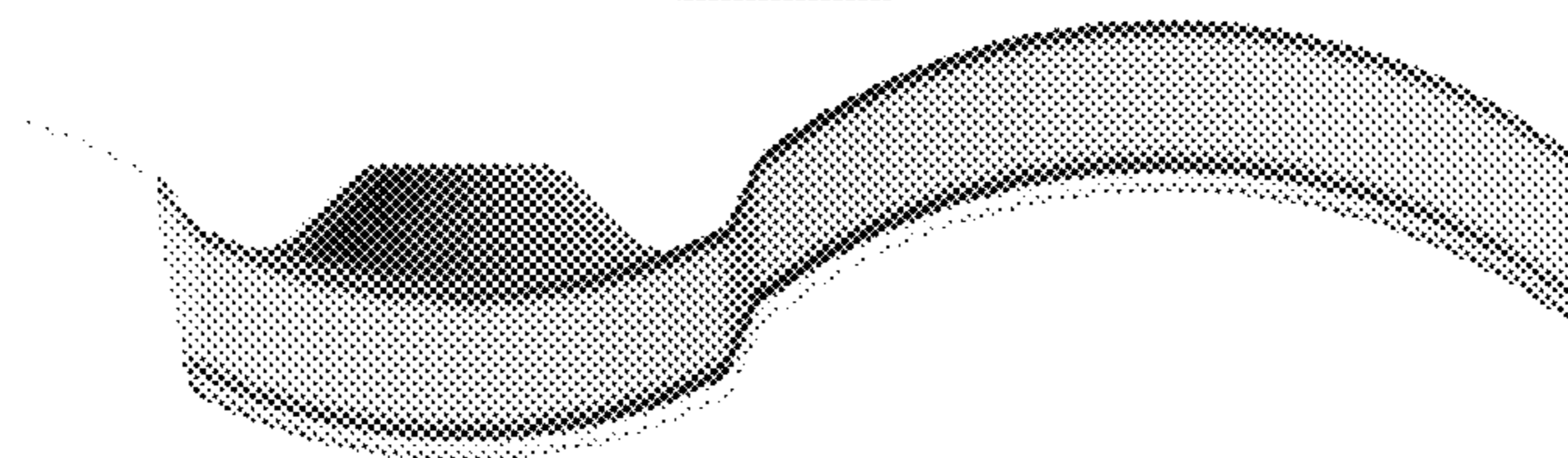


Fig. 3

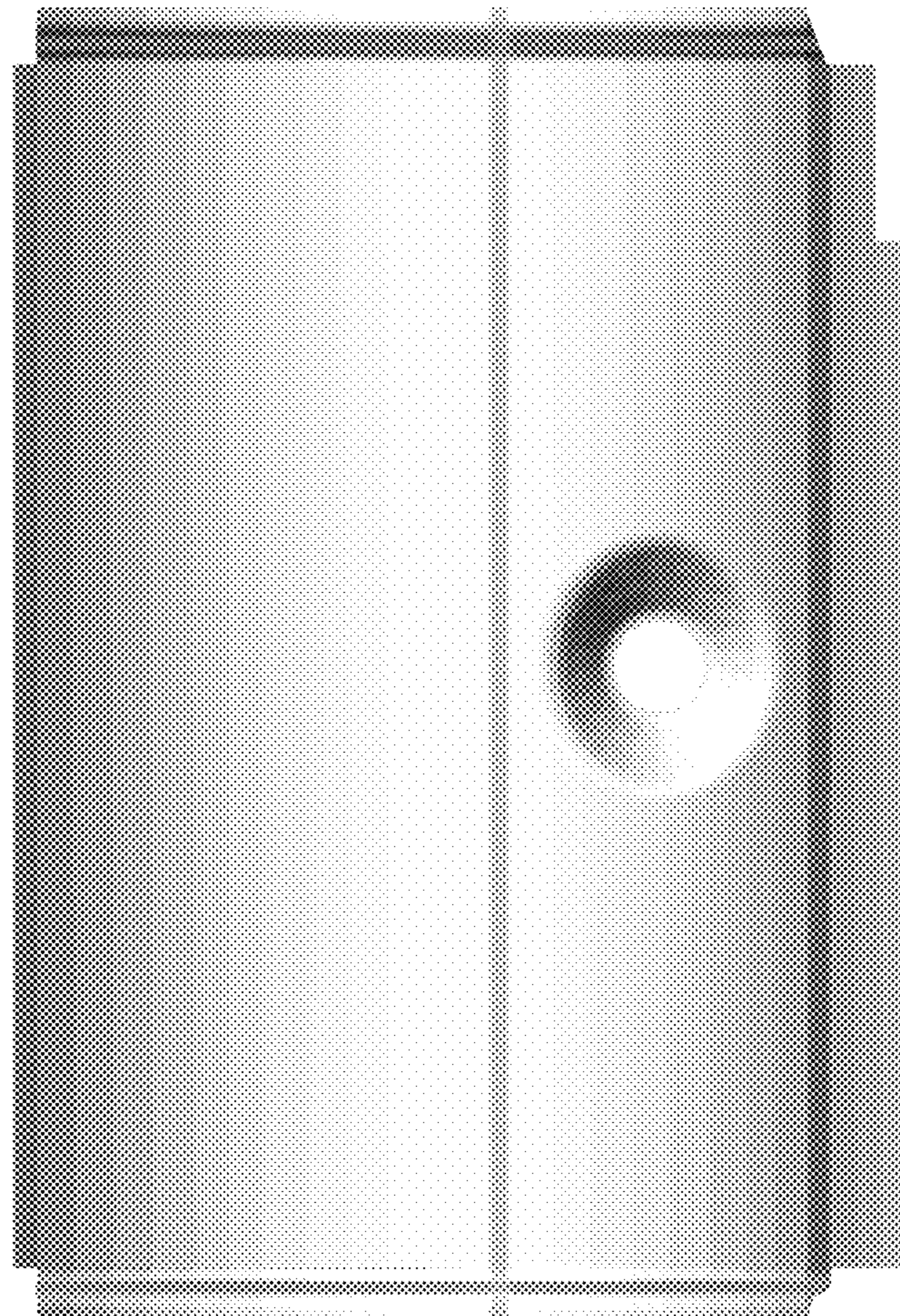


Fig. 4

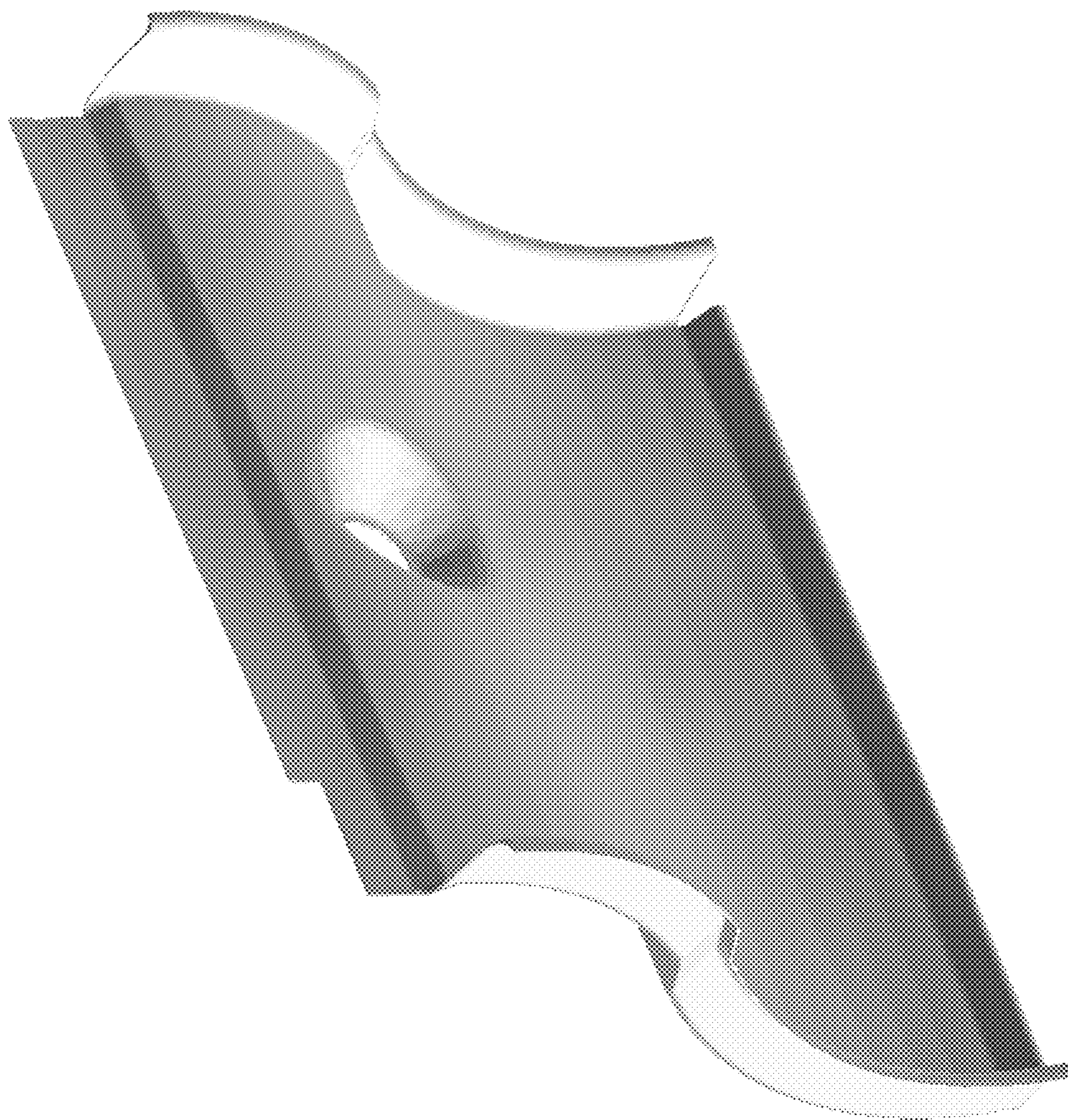


Fig. 5

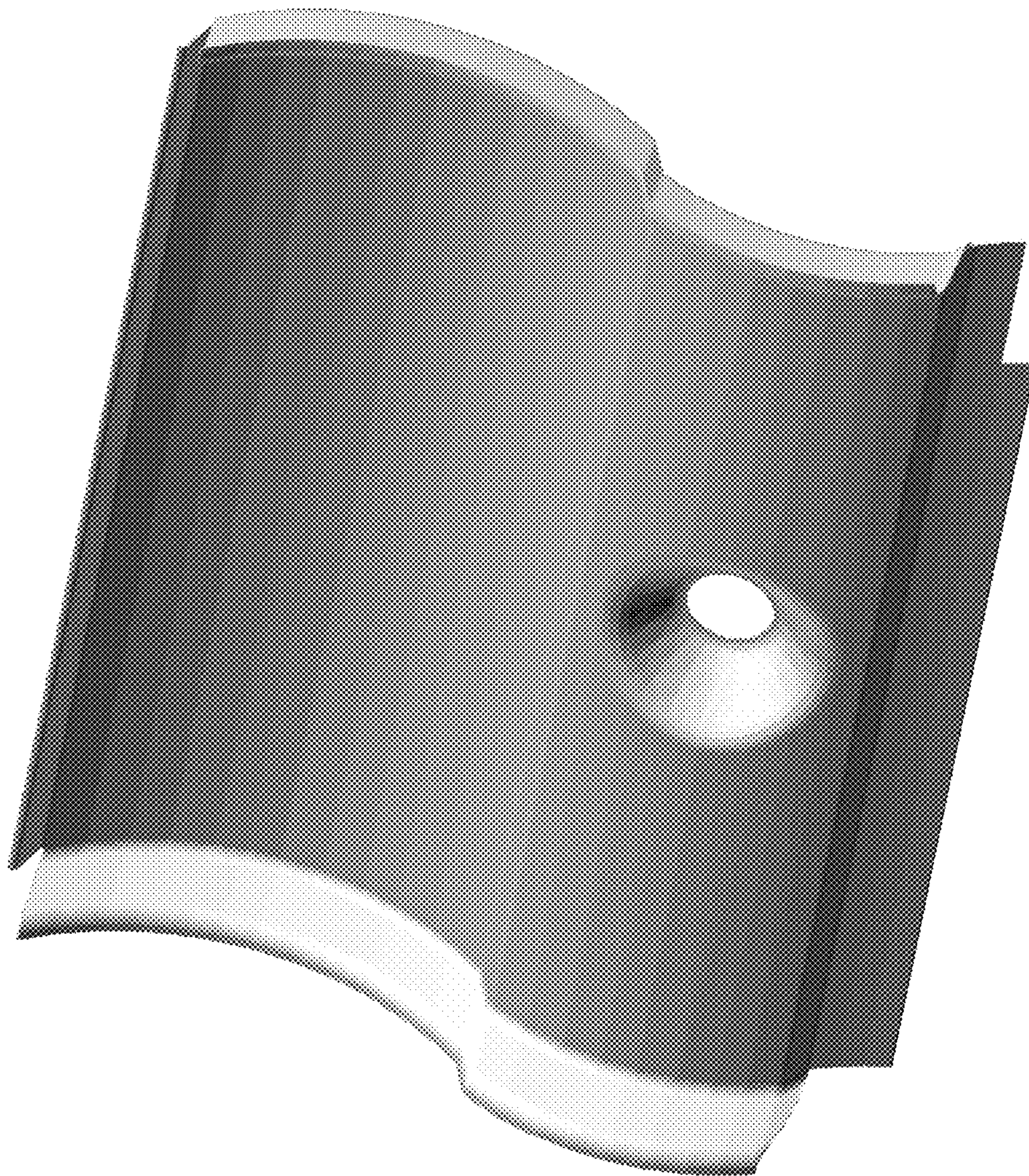


Fig. 6

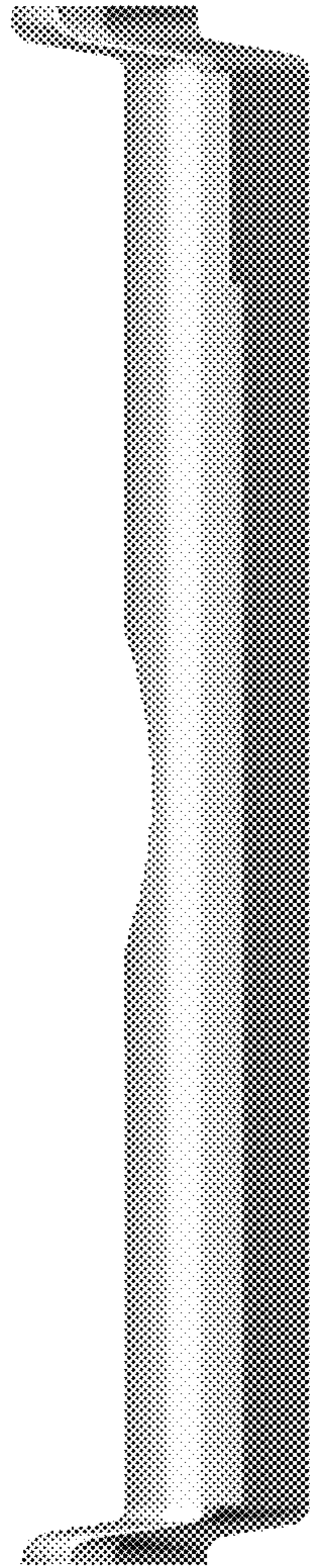


Fig. 7

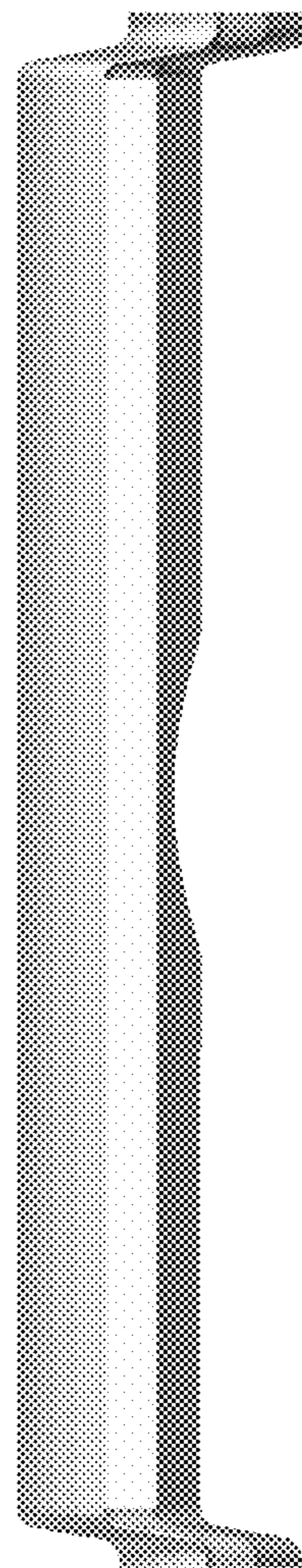


Fig. 8