



US00D827865S

(12) **United States Design Patent** (10) **Patent No.:** **US D827,865 S**  
**Rodrigues et al.** (45) **Date of Patent:** **\*\* Sep. 4, 2018**

- (54) **TRILAMINATE ROOFING SHINGLE**
- (71) Applicant: **BUILDING MATERIALS INVESTMENT CORPORATION**, Dallas, TX (US)
- (72) Inventors: **Tommy F. Rodrigues**, Nutley, NJ (US); **Sudhir B. Railkar**, Wayne, NJ (US); **Emily Videtto**, Mountain Lakes, NJ (US); **Leslie D. Franklin**, Maplewood, NJ (US); **Eric R. Anderson**, Montclair, NJ (US)
- (73) Assignee: **Building Materials Investment Corporation**, Dallas, TX (US)
- (\*\*) Term: **15 Years**
- (21) Appl. No.: **29/623,890**
- (22) Filed: **Oct. 27, 2017**

**Related U.S. Application Data**

- (62) Division of application No. 29/560,426, filed on Apr. 6, 2016.
- (51) **LOC (11) Cl.** ..... **25-01**
- (52) **U.S. Cl.**  
USPC ..... **D25/139**
- (58) **Field of Classification Search**  
USPC ..... D25/138, 139  
CPC .... E04D 1/00; E04D 1/02; E04D 1/06; E04D 1/12; E04D 1/18; E04D 3/00; E04D 3/02; E04D 3/16; E04D 3/24; E04D 3/30; E04D 3/361; E04D 3/368; E04D 3/362; E04D 3/363; E04D 3/364; E04D 1/26; E04D 2001/005; E04D 2001/3491; E04D 7/005; E04D 1/265; E04D 13/14; E04F 2201/0115; E04F 2201/0153; E04F 13/08; E04F 13/0894

See application file for complete search history.

- (56) **References Cited**  
U.S. PATENT DOCUMENTS  
2,096,968 A \* 10/1937 Johnston ..... E04D 1/26 428/143  
2,340,038 A \* 1/1944 Buczkowski ..... E04D 1/265 52/554  
5,305,569 A \* 4/1994 Malmquist ..... E04D 1/26 52/309.14  
(Continued)

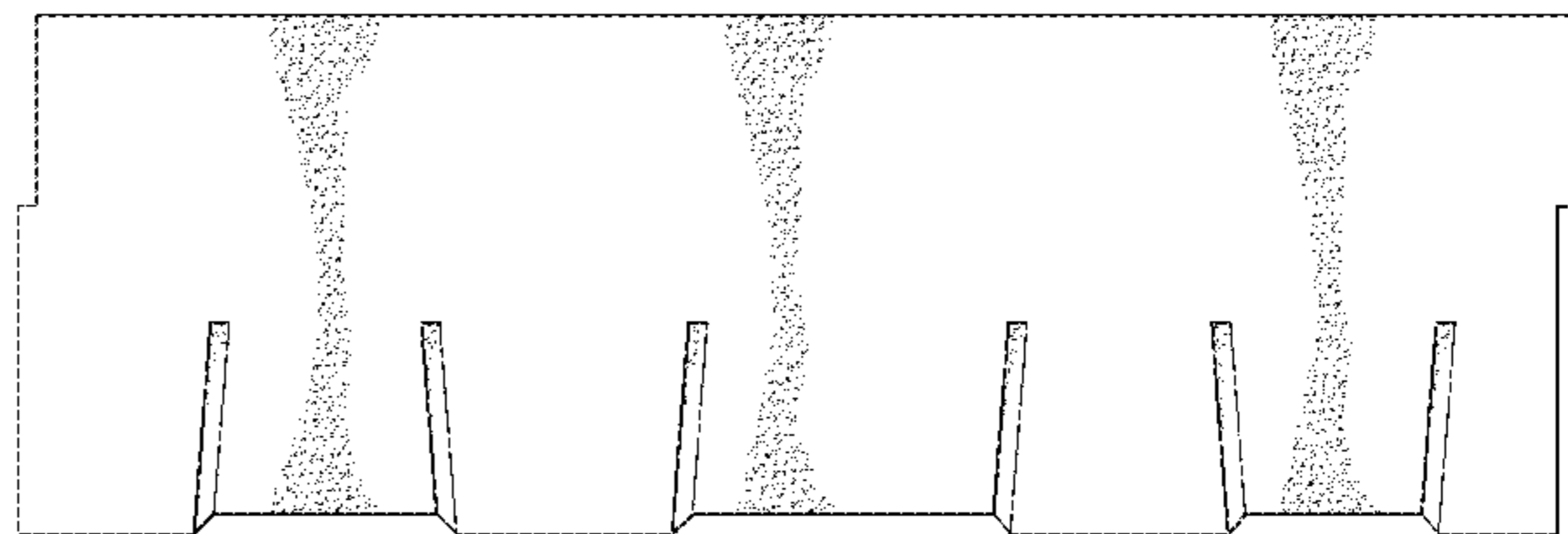
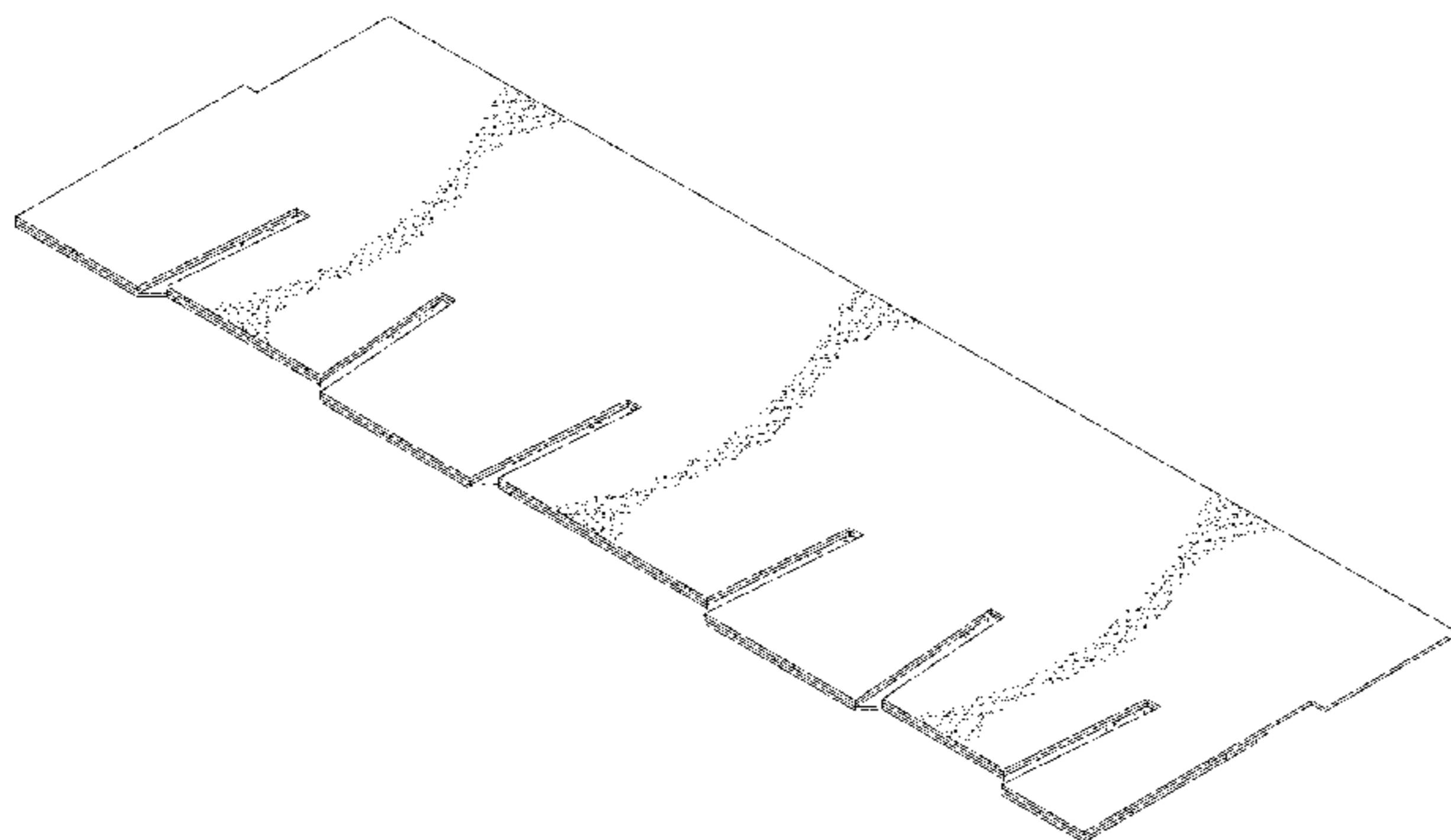
- OTHER PUBLICATIONS**  
GAF Roofing Shingle Design & Style Guide (on-line), dated Mar. 23, 2016. Retrieved from Internet Jul. 10, 2017, URL: [https://web.archive.org/web/20160323045127/http://www.gaf.com/Roofing/Residential/Shingle\\_Style\\_Guide](https://web.archive.org/web/20160323045127/http://www.gaf.com/Roofing/Residential/Shingle_Style_Guide) (2 pages).\*  
(Continued)

*Primary Examiner* — Vy N Koenig  
*Assistant Examiner* — Kimberly Barnes  
(74) *Attorney, Agent, or Firm* — Baker & McKenzie LLP

- (57) **CLAIM**  
The ornamental design for a trilaminate roofing shingle, substantially as shown and described.

- DESCRIPTION**  
FIG. 1 is a top perspective view of a trilaminate roofing shingle showing our new design;  
FIG. 2 is a front elevation view of the shingle shown in FIG. 1;  
FIG. 3 is a rear elevation view of the shingle shown in FIG. 1;  
FIG. 4 is a top plan view of the shingle shown in FIG. 1;  
FIG. 5 is a bottom plan view of the shingle shown in FIG. 1;  
FIG. 6 is a first side elevation view of the shingle shown in FIG. 1; and,  
FIG. 7 is a second side elevation view of the shingle shown in FIG. 1.

**1 Claim, 5 Drawing Sheets**



(56)

References Cited

U.S. PATENT DOCUMENTS

D369,421 S \* 4/1996 Kiik ..... D25/139  
 5,939,169 A \* 8/1999 Bondoc ..... E04D 1/26  
 428/141  
 D452,917 S \* 1/2002 Bondoc ..... D25/139  
 6,708,456 B2 \* 3/2004 Kiik ..... A47G 27/0468  
 428/141  
 D641,502 S \* 7/2011 Elliott ..... D25/143  
 8,006,457 B2 \* 8/2011 Binkley ..... B29C 65/56  
 52/543  
 D665,103 S \* 8/2012 Rodrigues ..... D25/143  
 D695,925 S \* 12/2013 Ray ..... D25/143  
 D749,240 S \* 2/2016 Rodrigues ..... D25/139  
 9,290,945 B2 \* 3/2016 Beerer ..... E04D 1/28  
 D760,924 S \* 7/2016 Rodrigues ..... D25/139  
 D760,925 S \* 7/2016 Rodrigues ..... D25/139  
 D761,445 S \* 7/2016 Rodrigues ..... D25/139  
 D761,446 S \* 7/2016 Rodrigues ..... D25/139

D769,473 S \* 10/2016 Rodrigues ..... D25/139  
 D799,721 S \* 10/2017 Leitch ..... D25/139  
 2007/0199251 A1 \* 8/2007 Sieling ..... E04D 1/26  
 52/58  
 2010/0251650 A1 \* 10/2010 Davidson ..... B27M 3/02  
 52/314  
 2017/0158440 A1 \* 6/2017 Belt ..... B65G 57/02  
 2018/0038108 A1 \* 2/2018 Aschenbeck ..... E04D 1/26  
 2018/0051465 A1 \* 2/2018 Grubka ..... E04D 1/28  
 2018/0087274 A1 \* 3/2018 Grubka ..... B32B 38/1808  
 2018/0135302 A1 \* 5/2018 Verhoff ..... E04D 1/22

OTHER PUBLICATIONS

Asphalt Roof Replacement—Asphalt Shingle Repair New London  
 New Haven (on-line), no date available. Retrieved from Internet  
 May 29, 2018, URL: <http://www.ampmwoofing.com/asphalt-roof-replacement/> (2 pages).\*

\* cited by examiner

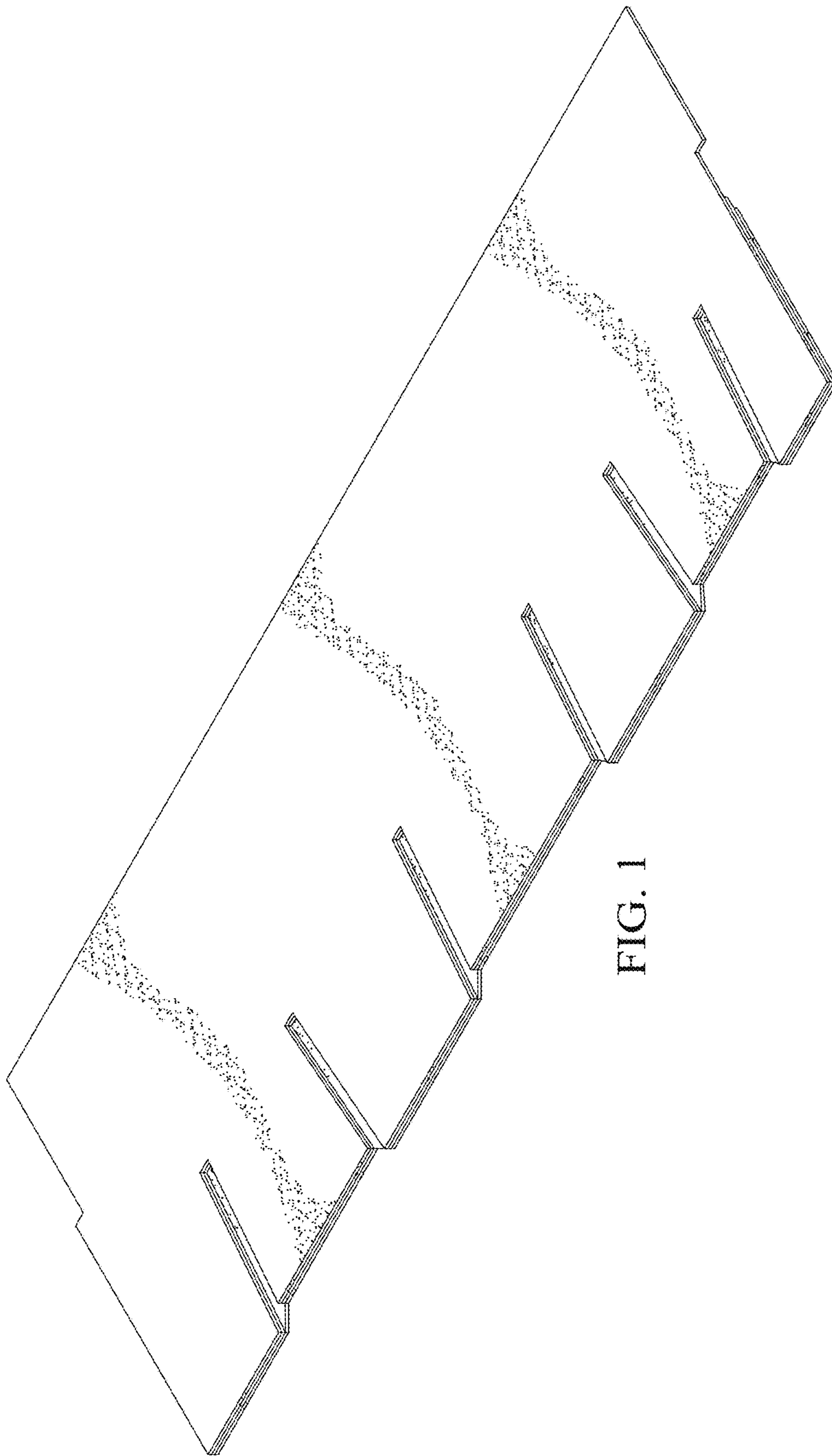


FIG. 1



FIG. 2



FIG. 3

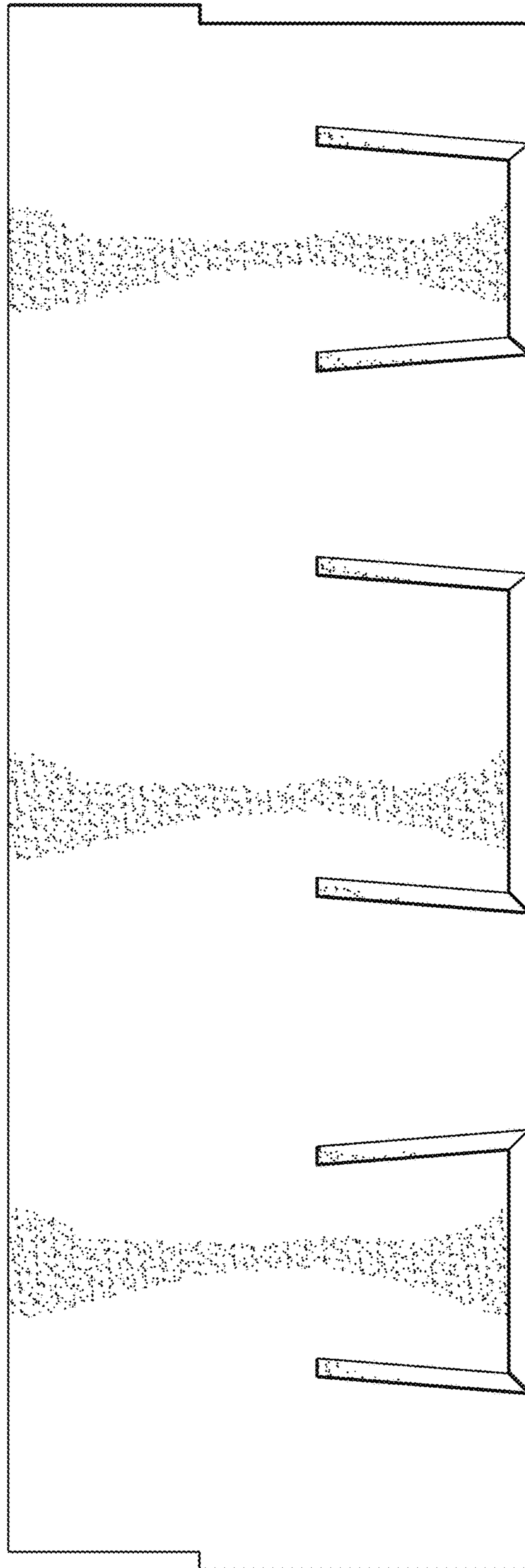


FIG. 4

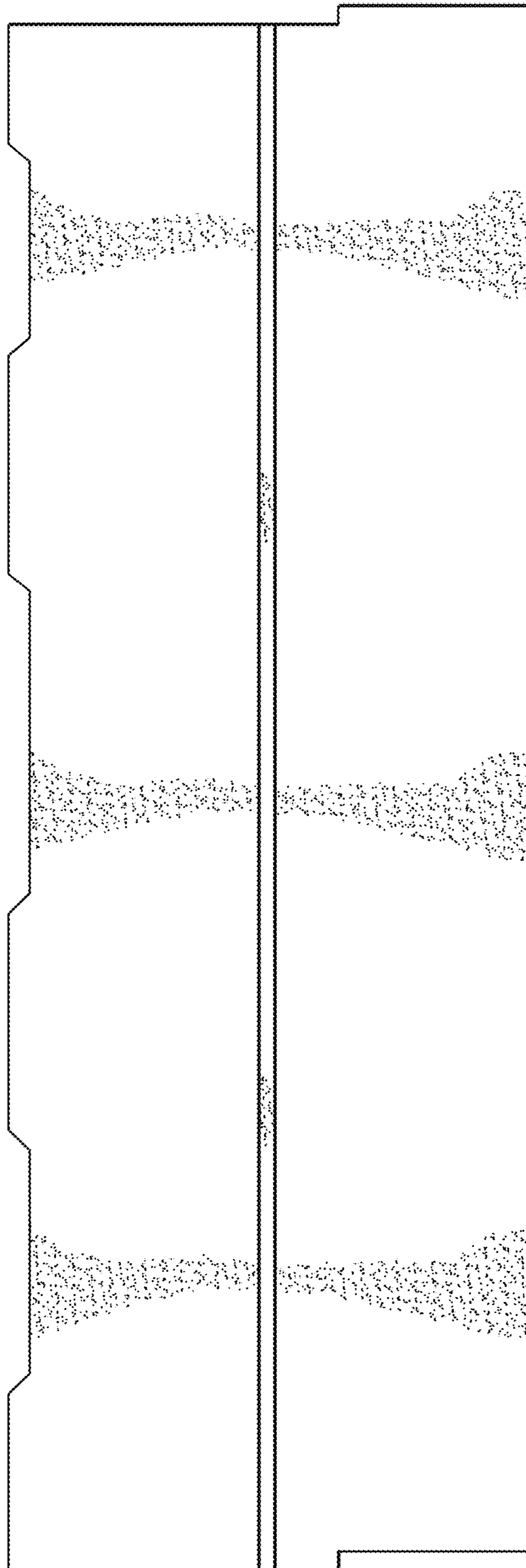


FIG. 5



FIG. 6



FIG. 7