



US00D827861S

(12) **United States Design Patent**
Lanzafame

(10) **Patent No.:** **US D827,861 S**

(45) **Date of Patent:** **** Sep. 4, 2018**

(54) **STANDOFF BRACKET**

(71) Applicant: **Philip F. Lanzafame**, Poulsbo, WA (US)

(72) Inventor: **Philip F. Lanzafame**, Poulsbo, WA (US)

(73) Assignee: **Philip F. Lanzafame**, Poulsbo, WA (US)

(**) Term: **15 Years**

(21) Appl. No.: **29/605,356**

(22) Filed: **May 25, 2017**

(51) **LOC (11) Cl.** **25-04**

(52) **U.S. Cl.**
USPC **D25/68**

(58) **Field of Classification Search**
USPC D25/62-69, 132; 182/153, 225, 206, 182/216, 228.3, 25, 186.3, 155, 45, 107, 182/220, 120; 248/440, 229.13, 211, 215, 248/225.21, 301, 237; 211/124
CPC ... B25H 1/06; E06C 7/423; E06C 7/10; E06C 7/46; E06C 1/345; E06C 7/083; E06C 7/14;

(Continued)

(56) **References Cited**

U.S. PATENT DOCUMENTS

D203,159 S * 12/1965 Blum D25/132
3,606,226 A * 9/1971 Bell E06C 1/345
182/206

(Continued)

OTHER PUBLICATIONS

Levelok. "Ladder Stabilizer Standoff Brackets with Foam Elbows".
www.levelok.com. Web. Jan. 23, 2018. Shown in p. 1. Item ST-ORS-3 (Year: 2018).*

Primary Examiner — Cynthia Ramirez

Assistant Examiner — Gino Colan

(74) *Attorney, Agent, or Firm* — Tucker Ellis LLP; Carlos Garritano

(57) **CLAIM**

The ornamental design for a standoff bracket, as shown and described.

DESCRIPTION

FIG. 1 is a perspective view of an embodiment of a standoff bracket showing a new design;

FIG. 2 is a top view of the standoff bracket illustrated in FIG. 1;

FIG. 3 is a bottom view of the standoff bracket illustrated in FIG. 1;

FIG. 4 is a right side view of the standoff bracket illustrated in FIG. 1;

FIG. 5 is an enlarged detail view of the end of the standoff bracket circumscribed by broken lines within FIG. 4;

FIG. 6 is a left side view of the standoff bracket illustrated in FIG. 1;

FIG. 7 is a rear view of the ladder stabilizer illustrated in FIG. 1;

FIG. 8 is a front view of the ladder stabilizer illustrated in FIG. 1;

FIG. 9 is a cross-sectional detail view of the standoff bracket circumscribed by broken lines within FIG. 4;

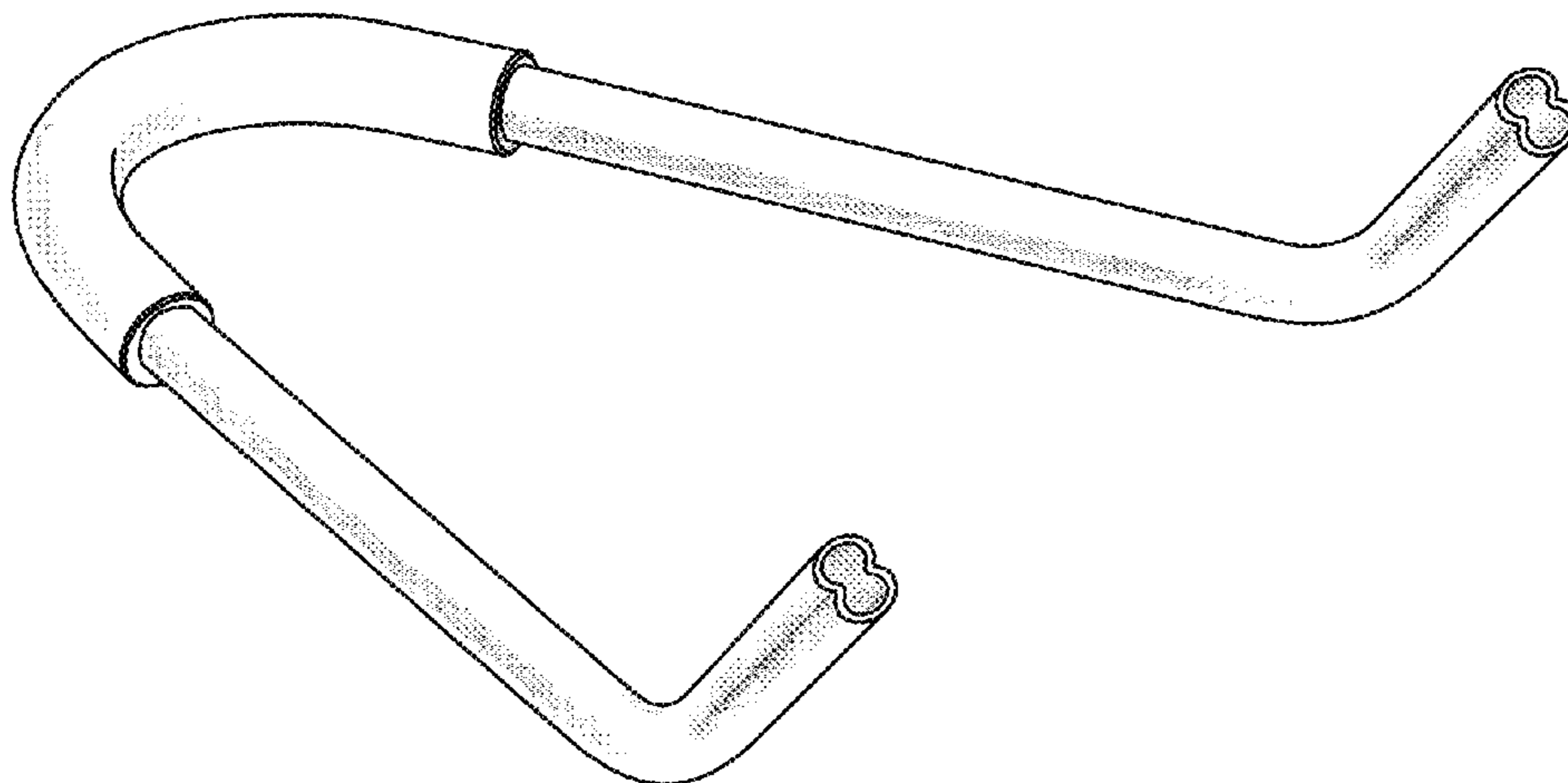
FIG. 10 is a cross-sectional detail view of the standoff bracket circumscribed by broken lines within FIG. 4;

FIG. 11 is an environmental view of the standoff bracket illustrated in FIGS. 1; and,

FIG. 12 is an environmental view of the standoff bracket illustrated in FIG. 1.

The dash-dot-dash broken lines indicating the area of the detail in FIGS. 4 and 5 form no part of the claimed design. The broken lines shown in FIGS. 11 and 12 are included for the purpose of illustrating environment and form no part of the claimed design.

1 Claim, 11 Drawing Sheets



(58) **Field of Classification Search**

CPC E06C 7/482; E06C 7/488; E06C 1/16;
E06C 7/44; E06C 7/486

See application file for complete search history.

(56) **References Cited**

U.S. PATENT DOCUMENTS

4,678,061 A * 7/1987 Jordan E06C 1/345
182/107
6,962,237 B2 * 11/2005 Underhill E06C 7/48
182/107
2004/0216955 A1 * 11/2004 Unger E06C 1/34
182/206
2006/0032707 A1 * 2/2006 Sais E06C 7/486
182/107
2007/0289812 A1 * 12/2007 Feemster E06C 7/46
182/107
2009/0178886 A1 * 7/2009 Joyner E06C 7/188
182/206

* cited by examiner

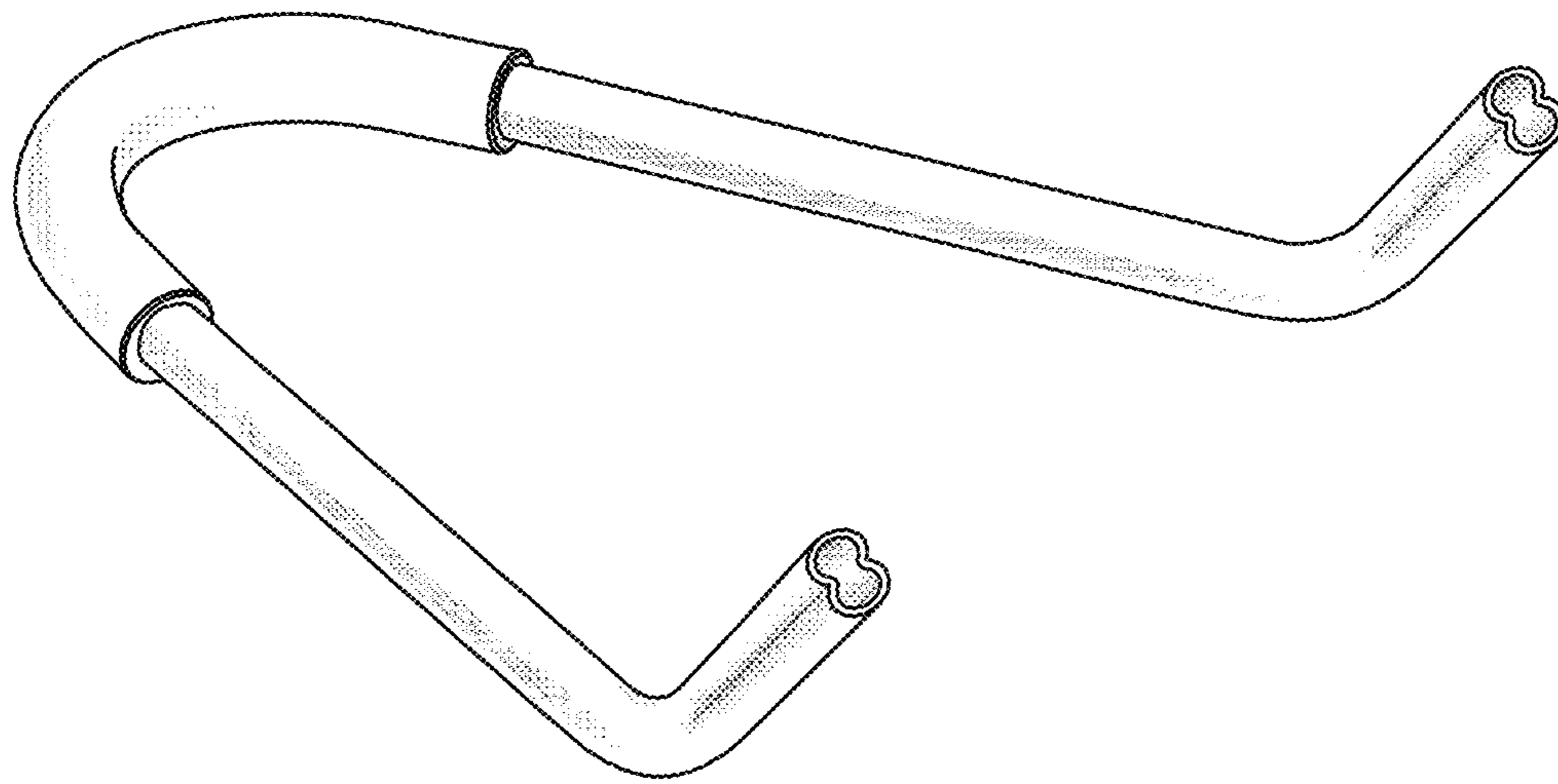


FIG. 1

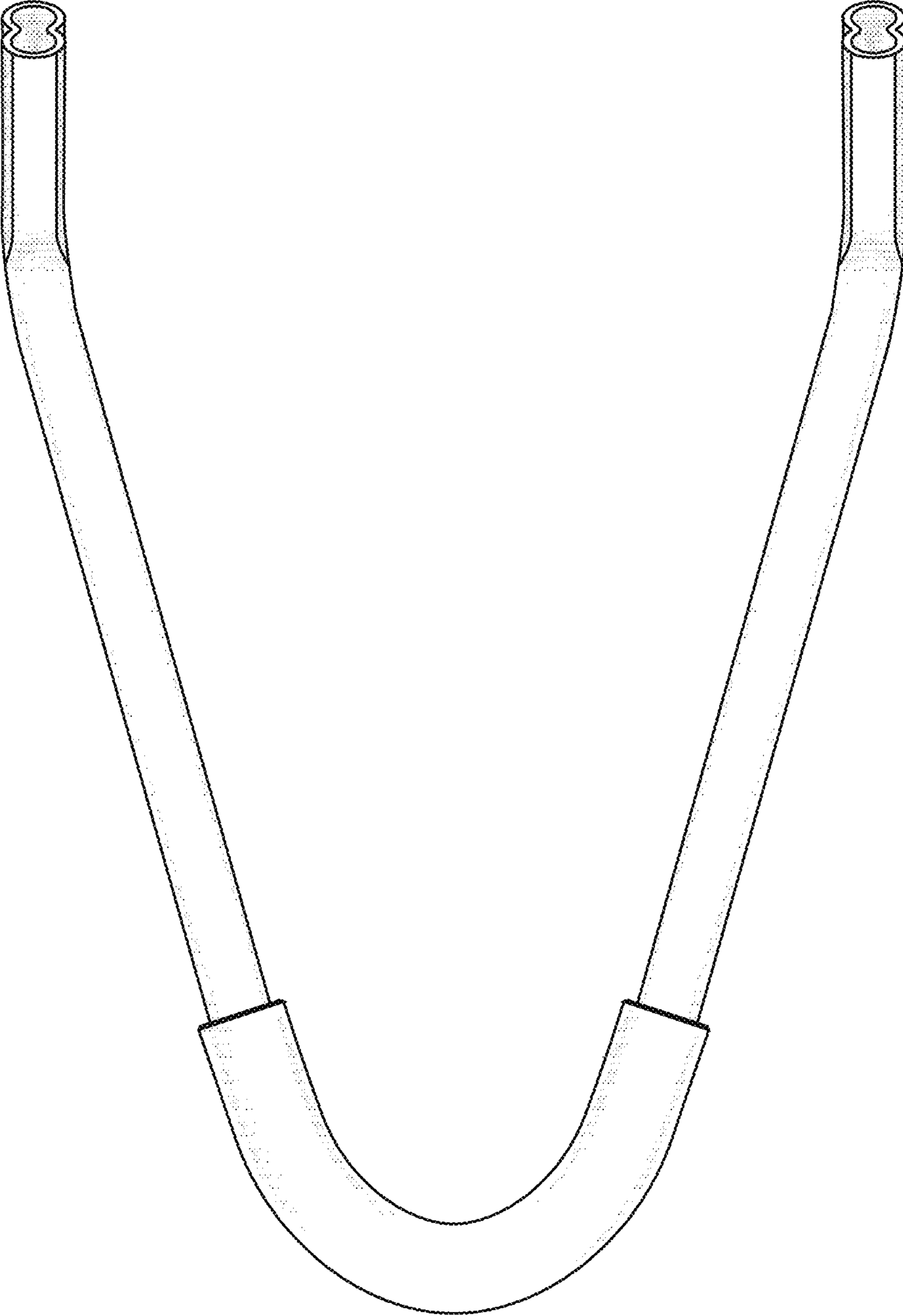


FIG. 2

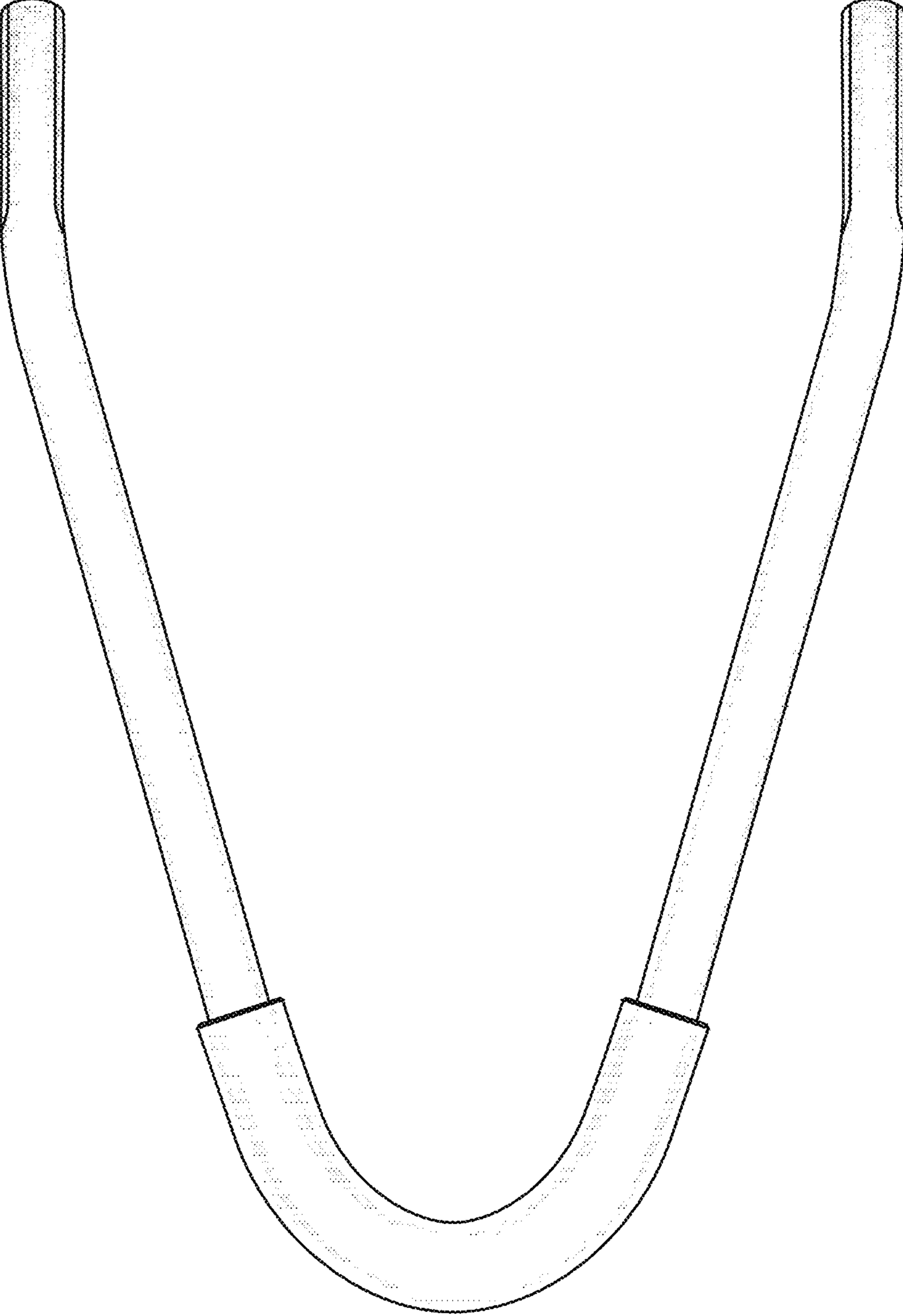


FIG. 3

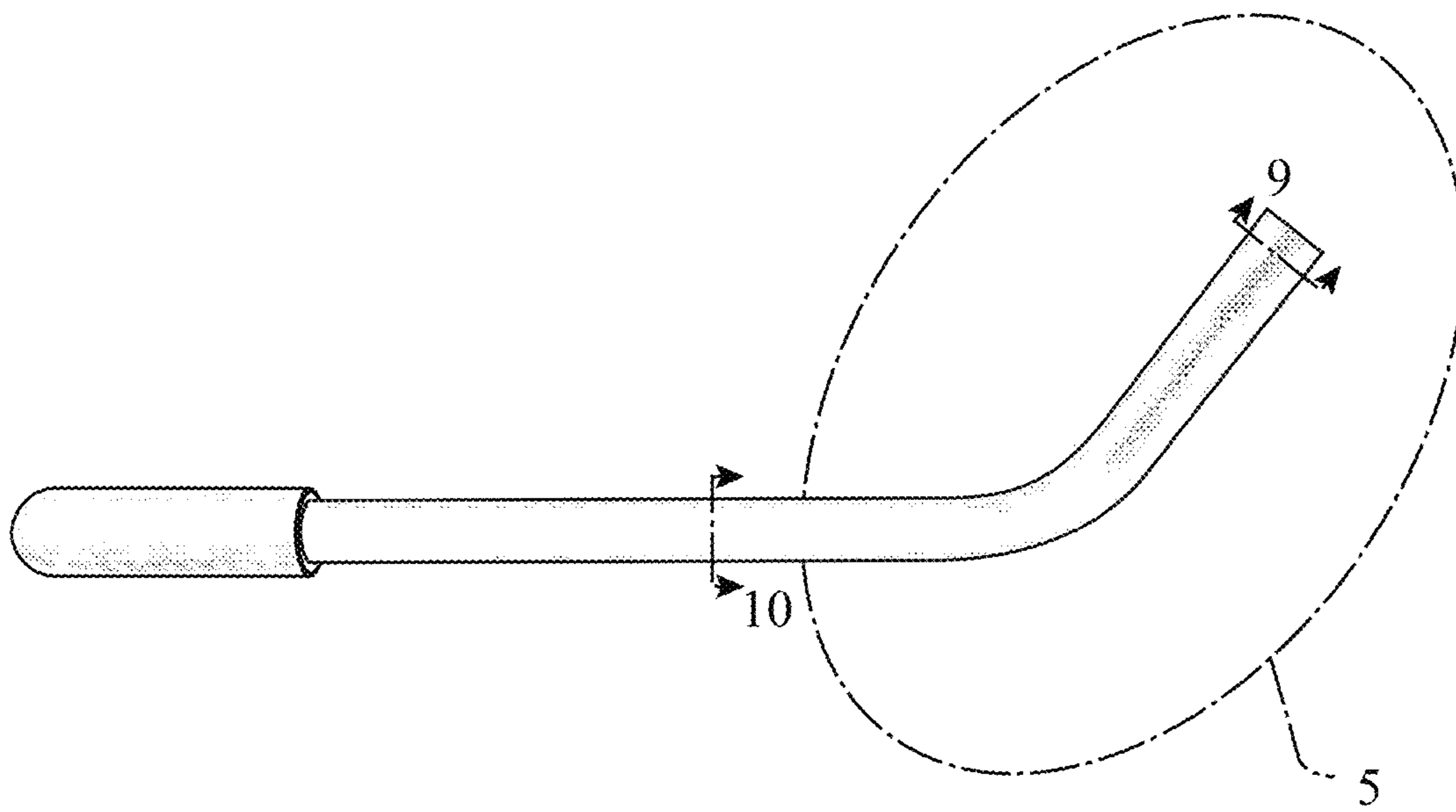


FIG. 4

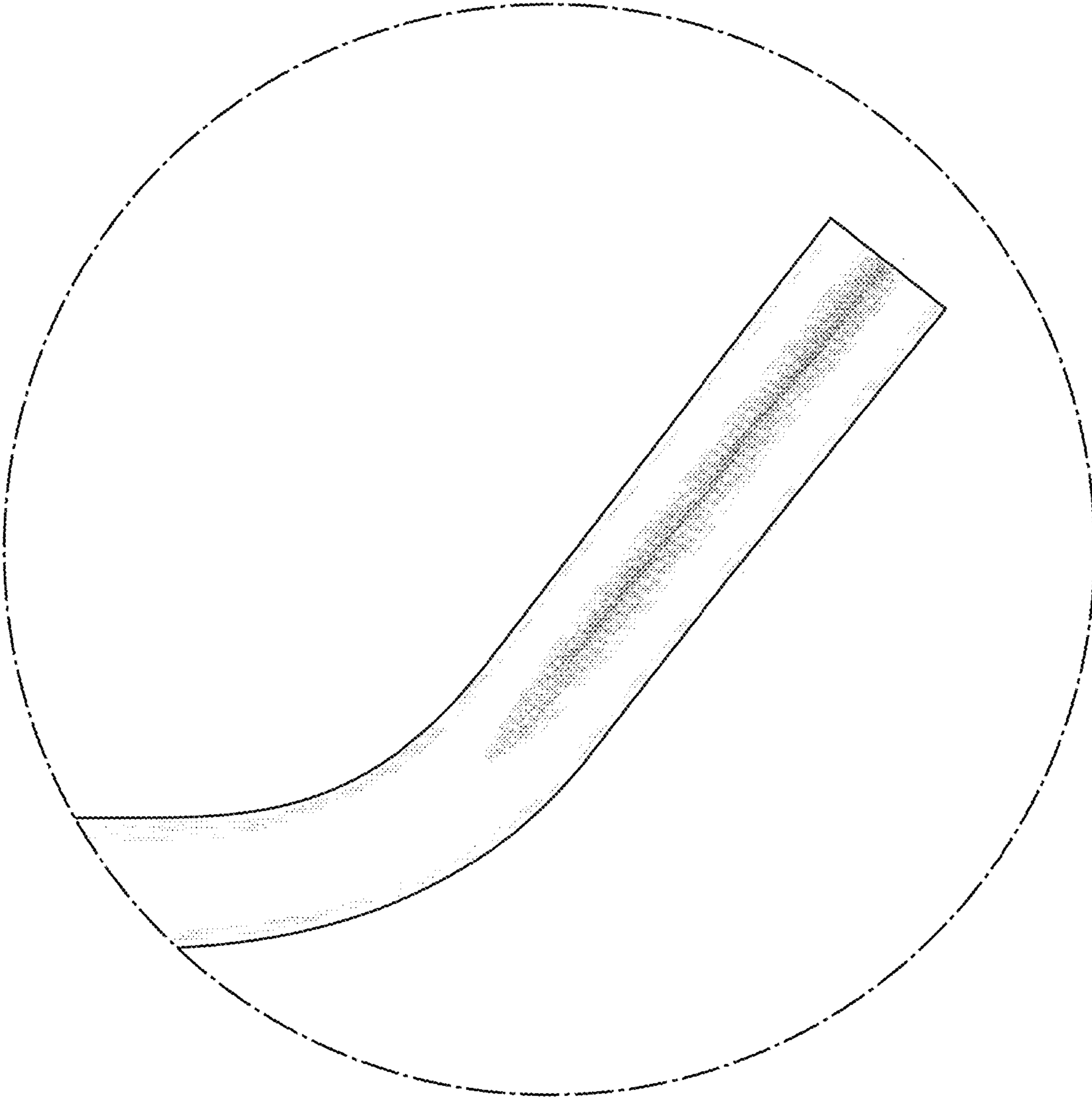


FIG. 5

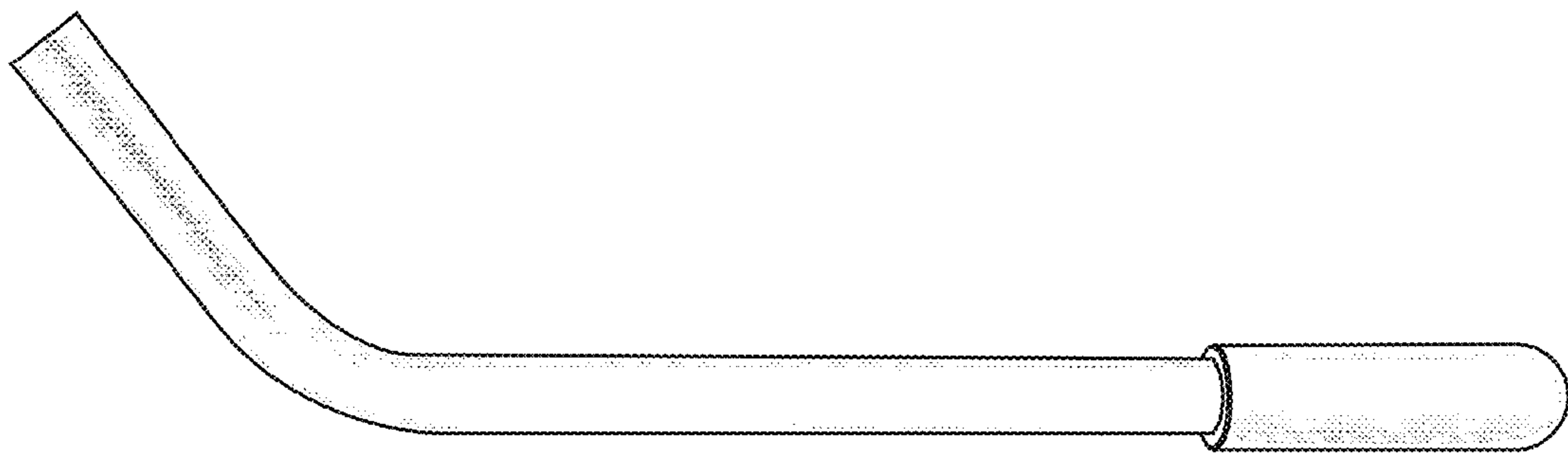


FIG. 6

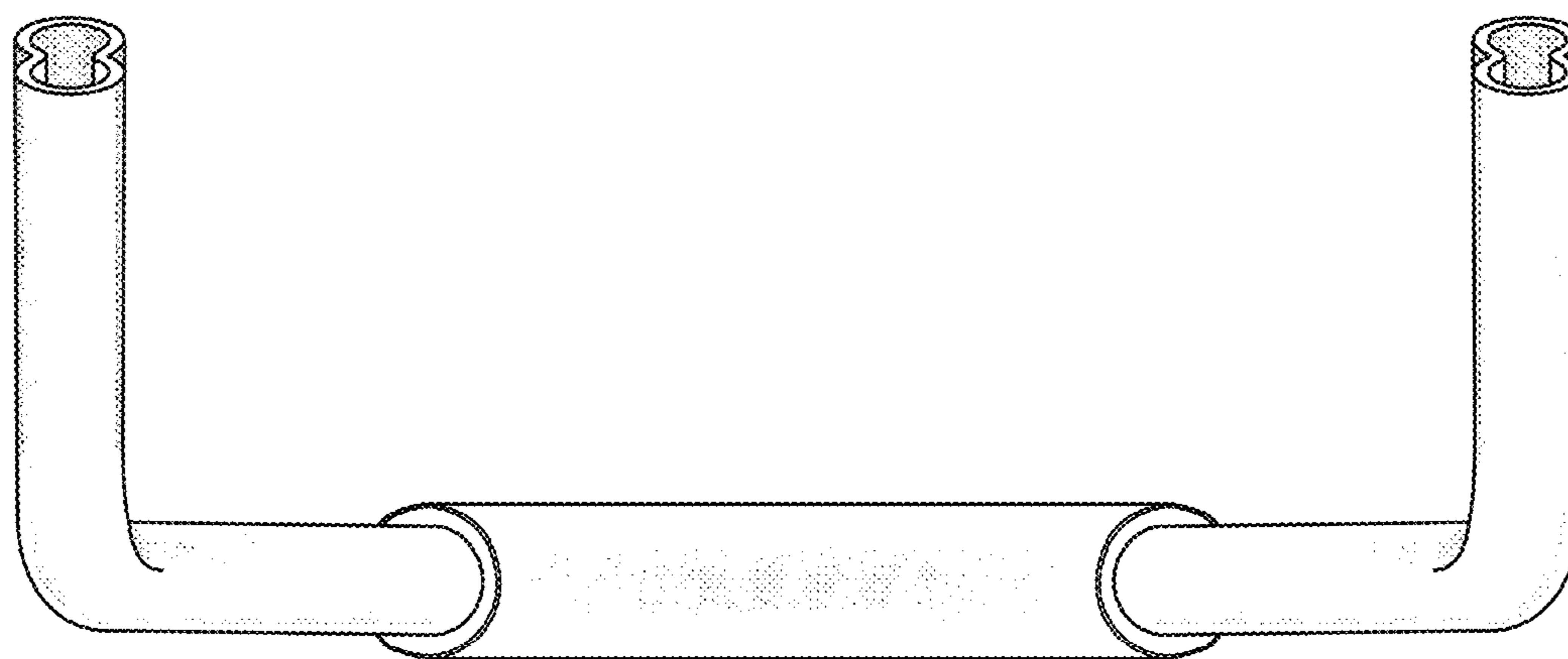


FIG. 7

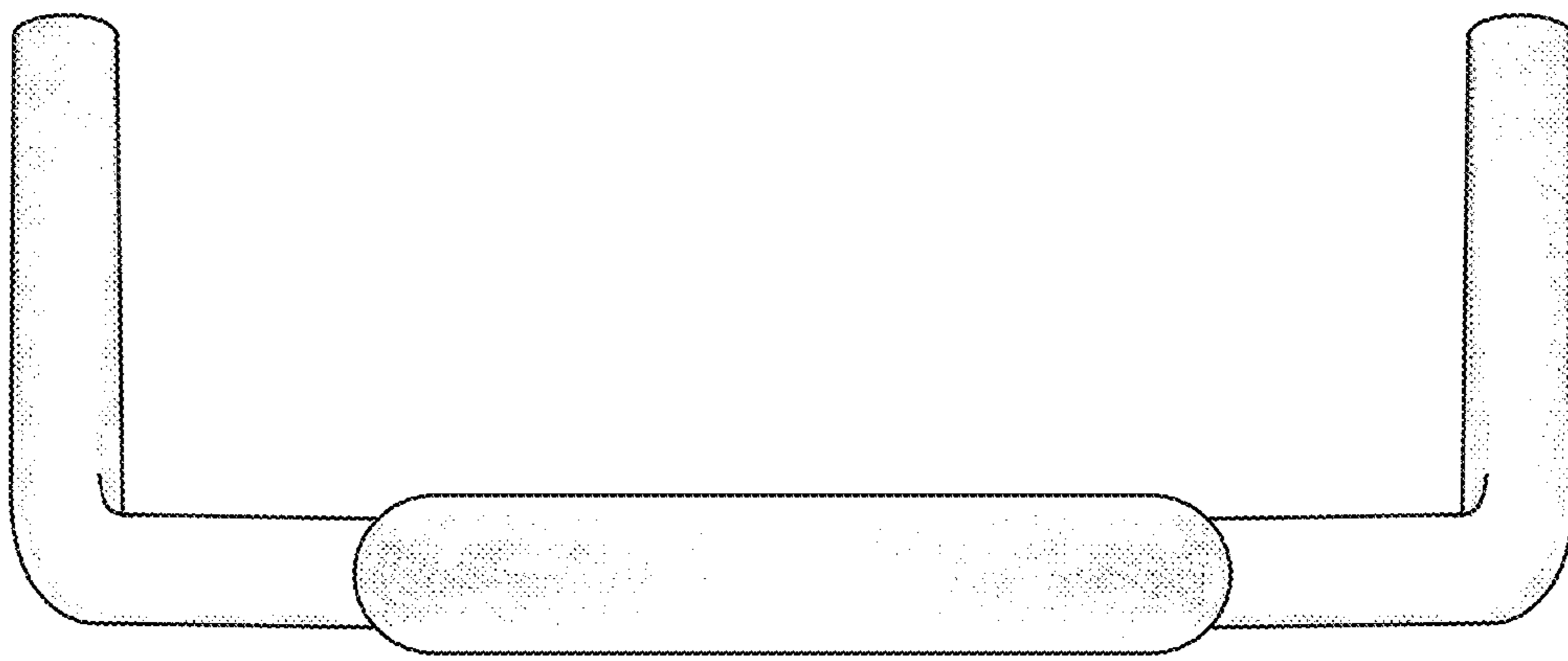


FIG. 8



FIG. 9

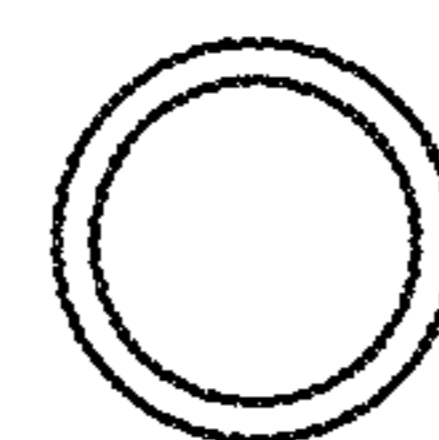
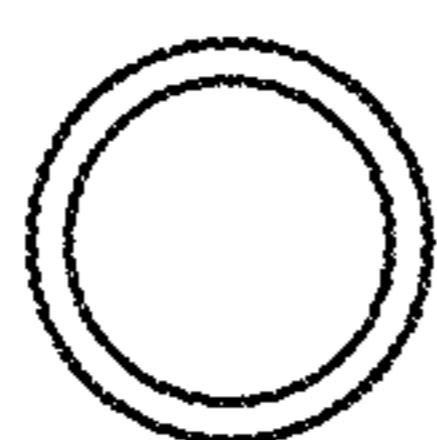


FIG. 10

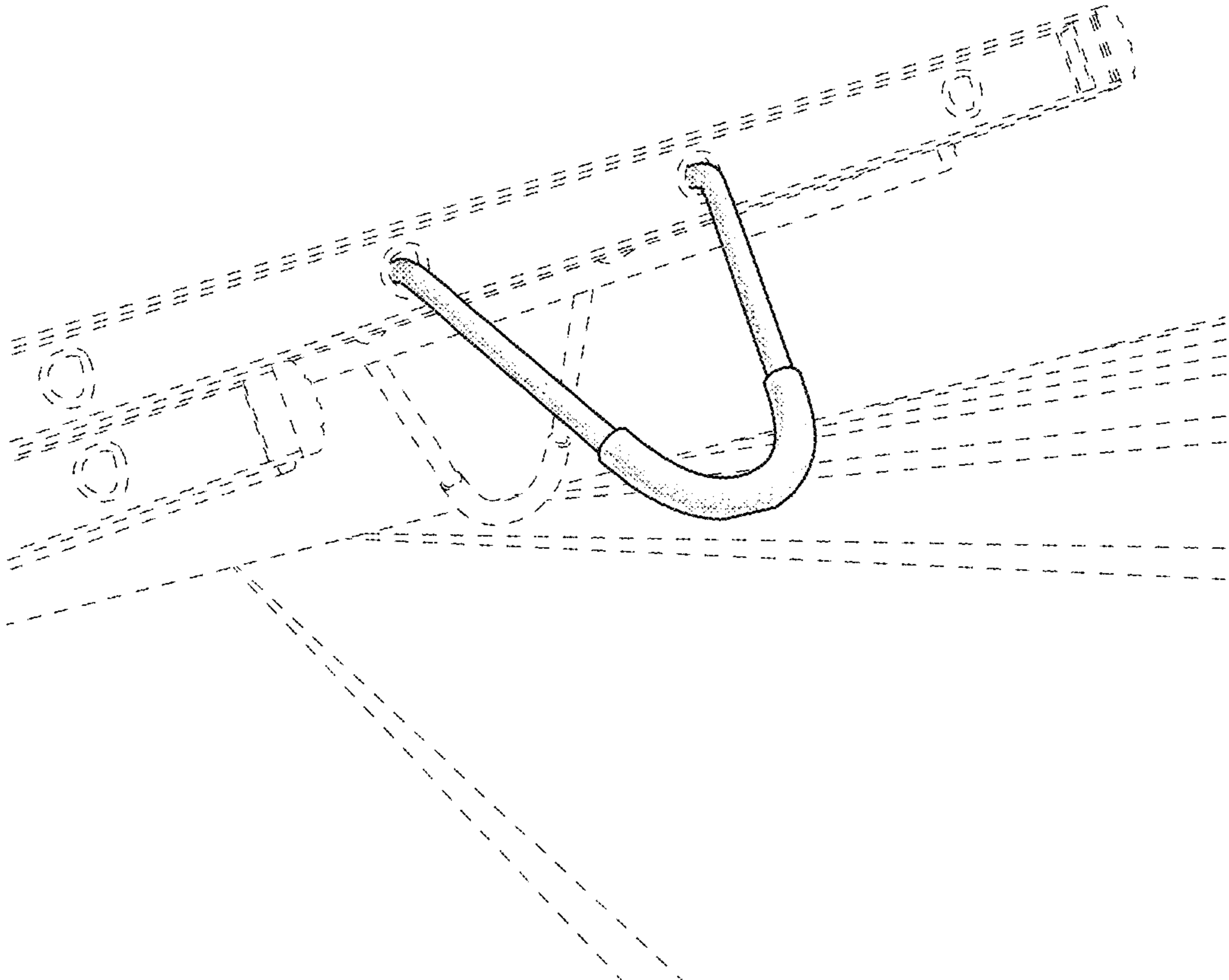


FIG. 11

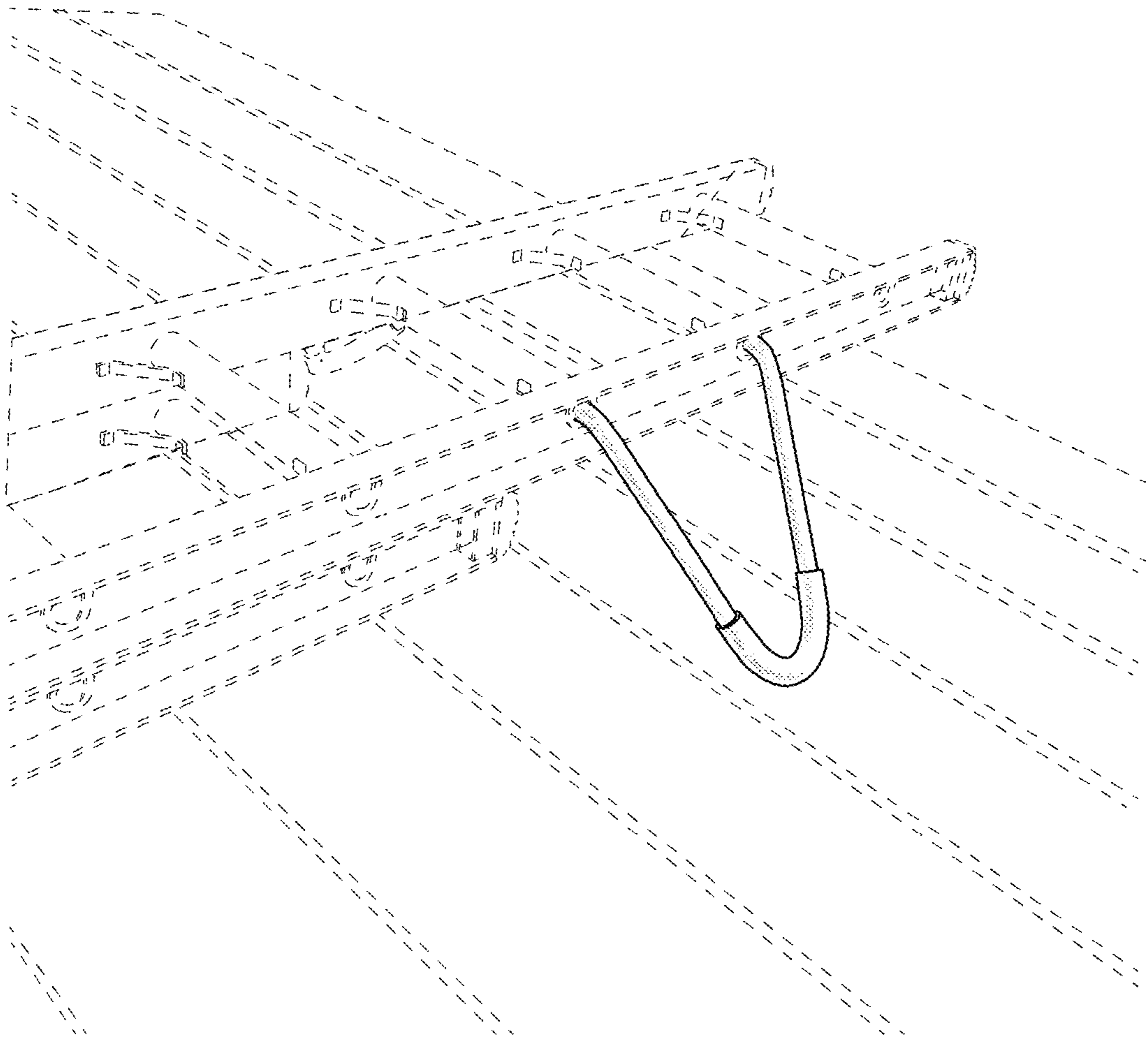


FIG. 12