



US00D827859S

(12) **United States Design Patent** (10) **Patent No.:** **US D827,859 S**  
**Mathers et al.** (45) **Date of Patent:** **\*\* Sep. 4, 2018**

(54) **ELECTROPHORESIS AND IMAGING SYSTEM**

(56) **References Cited**

U.S. PATENT DOCUMENTS

(71) Applicants: **Life Technologies Corporation**,  
Carlsbad, CA (US); **Life Technologies Holdings PTE Limited**, Singapore (SG)

D556,914 S *	12/2007	Okamoto	.....	D24/233
D688,804 S *	8/2013	Kim	.....	D24/216
D693,469 S *	11/2013	Chung	.....	D24/169
D717,968 S *	11/2014	Klein	.....	D24/232
D731,673 S *	6/2015	Klein	.....	D24/232
D733,917 S *	7/2015	Klein	.....	D24/232
D775,365 S *	12/2016	Mathers	.....	D24/232
2015/0253345 A1 *	9/2015	Lee	.....	G01N 35/00029 436/162
2016/0228876 A1 *	8/2016	Chu	.....	G01N 21/6486
2017/0072398 A1 *	3/2017	Boo	.....	B01L 7/52

(72) Inventors: **Xin Mathers**, Poway, CA (US); **Sandro Klein**, Irvine, CA (US); **Zeqi Tan**, Singapore (SG); **Wuh Ken Loh**, Singapore (SG); **JingMing Peng**, Singapore (SG); **Soo Fan Phua**, Singapore (SG); **Oliver Davidson**, Burlingame, CA (US)

\* cited by examiner

*Primary Examiner* — Anhdao Doan

(73) Assignees: **LIFE TECHNOLOGIES CORPORATION**, Carlsbad, CA (US); **LIFE TECHNOLOGIES HOLDINGS PTE LIMITED**, Singapore (SG)

(57) **CLAIM**

The ornamental design for an electrophoresis and imaging system, as shown and described.

(\*\*) Term: **15 Years**

**DESCRIPTION**

(21) Appl. No.: **29/606,327**

FIG. 1 is a front perspective view of an electrophoresis and imaging system showing our new design;

(22) Filed: **Jun. 2, 2017**

FIG. 2 is a front view thereof;

(51) **LOC (11) Cl.** ..... **24-01**

FIG. 3 is a rear view thereof;

(52) **U.S. Cl.**

FIG. 4 is a left side view thereof;

USPC ..... **D24/232**; D24/233

FIG. 5 is a right side view thereof;

(58) **Field of Classification Search**

FIG. 6 is a top view thereof; and,

USPC ..... D24/107, 169, 185, 186, 216–219, D24/231–234; D10/81

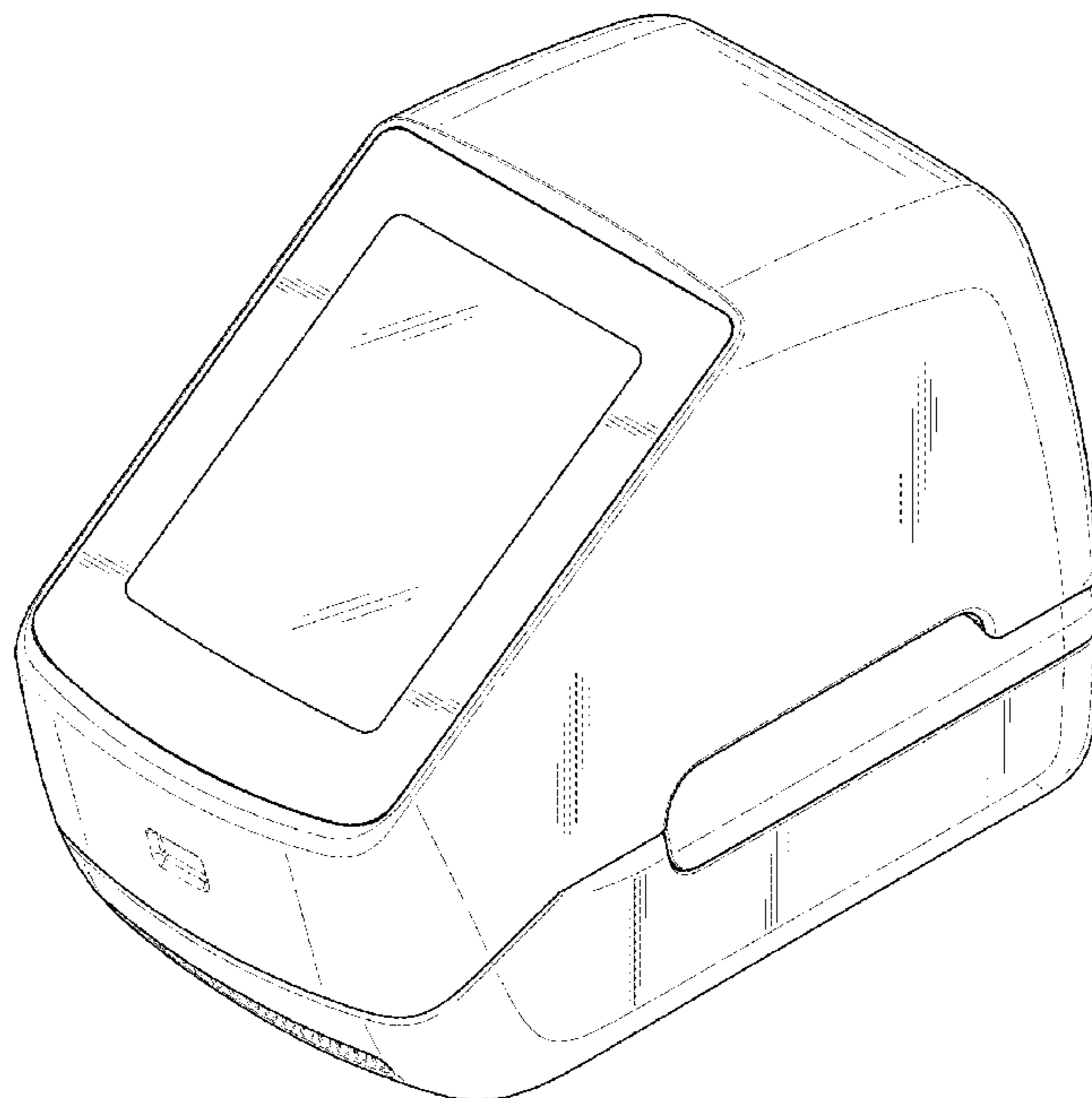
FIG. 7 is a bottom view thereof.

CPC ..... G01N 21/0483; G01N 21/0303; G01N 35/00029; G01N 35/00019; G01N 2035/00326; G01N 21/6428; G01N 21/6486; G01N 2201/061

The broken lines immediately adjacent the shaded areas represent the bounds of the claim, while all other broken lines are directed to environment and are for illustrative purposes only; the broken lines form no part of the claimed design.

See application file for complete search history.

**1 Claim, 7 Drawing Sheets**



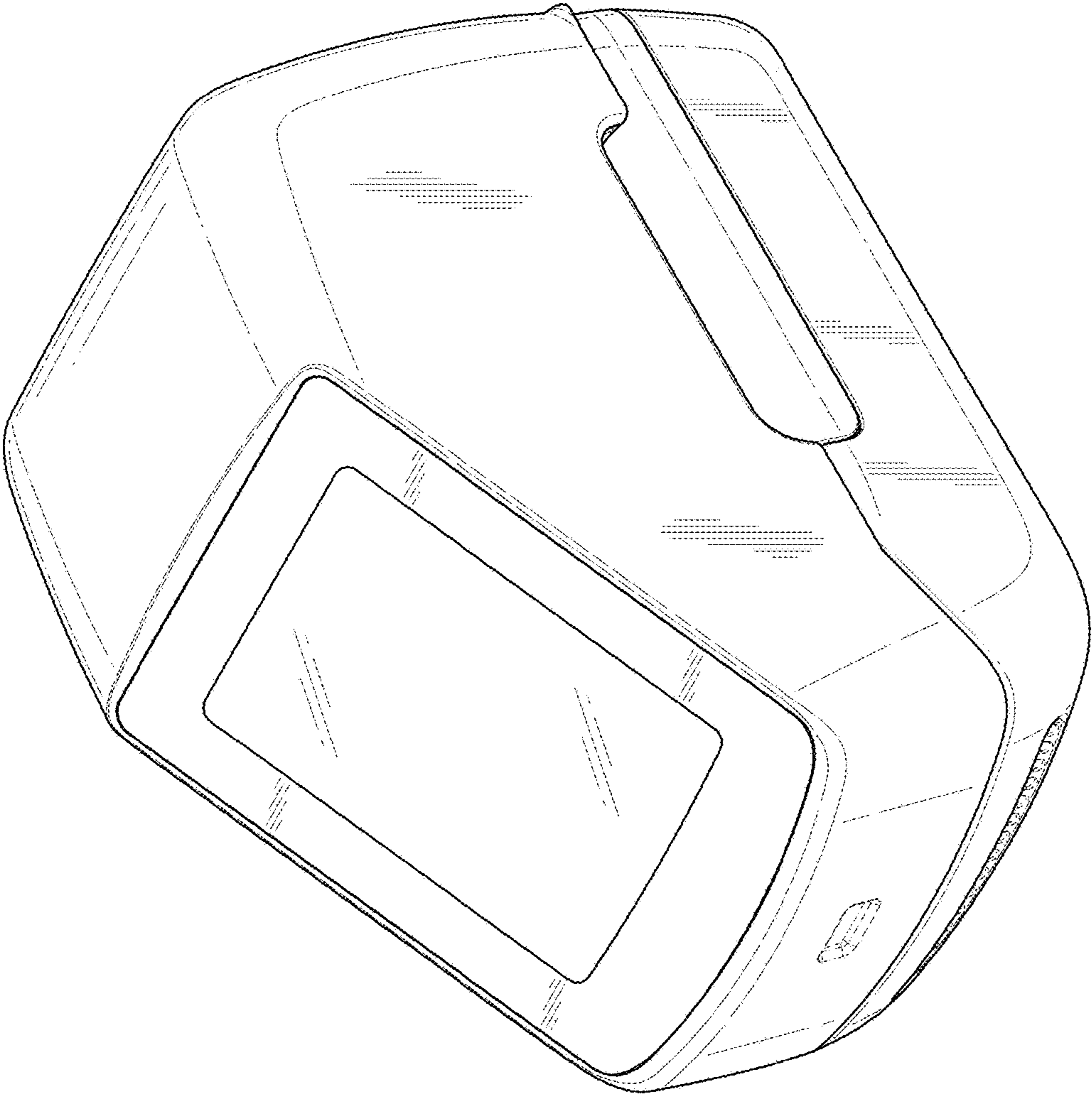


FIG. 1

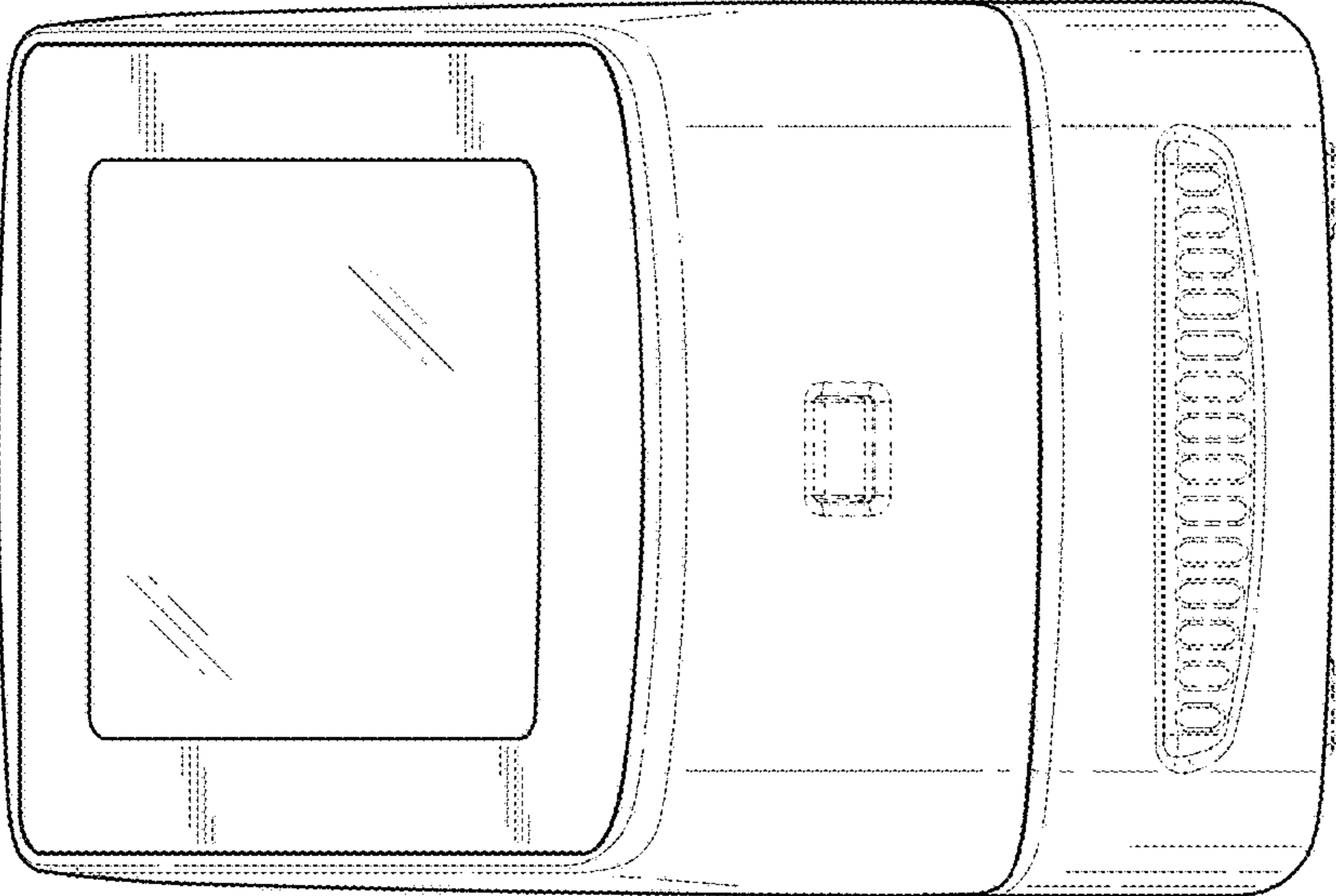


FIG. 2

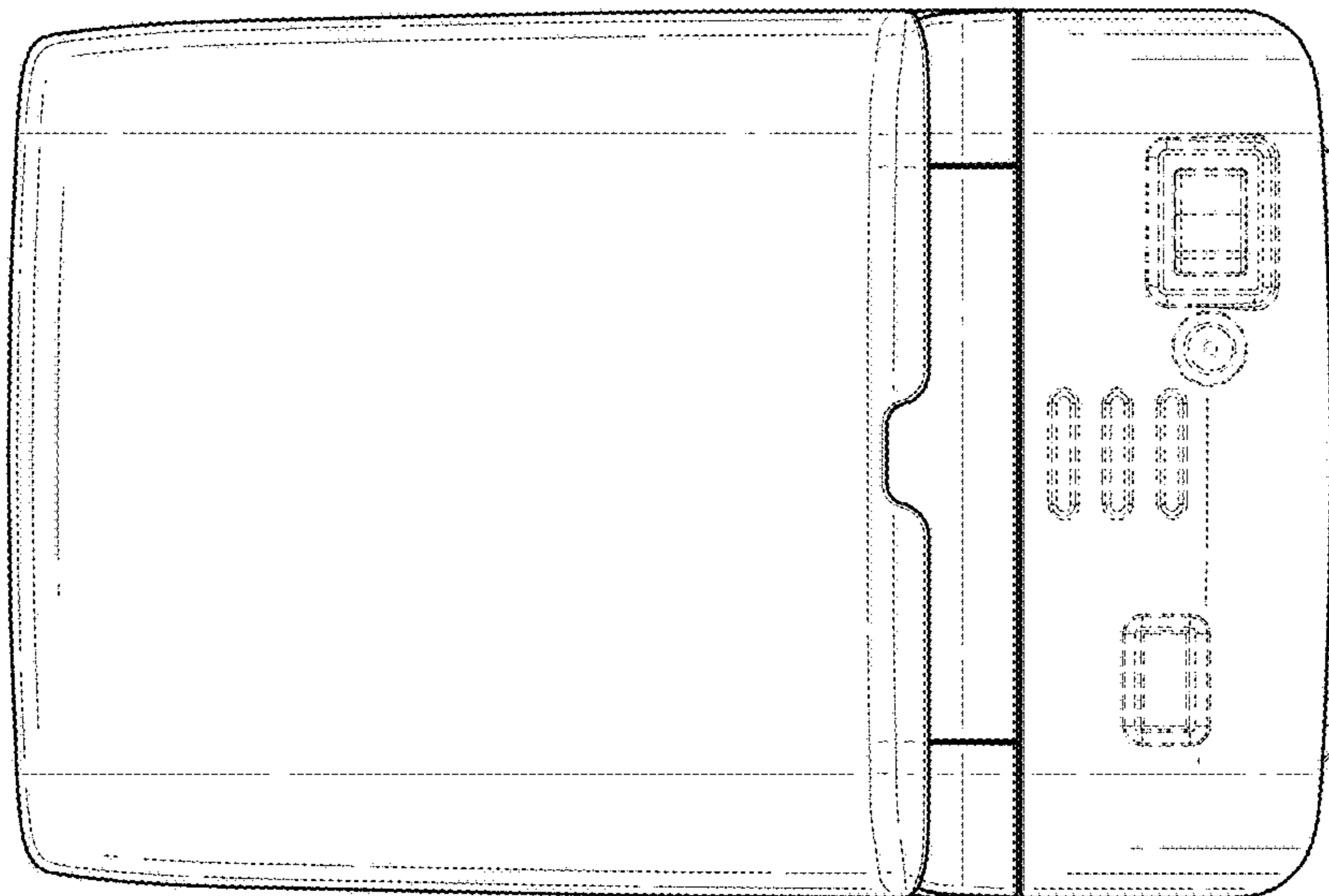


FIG. 3

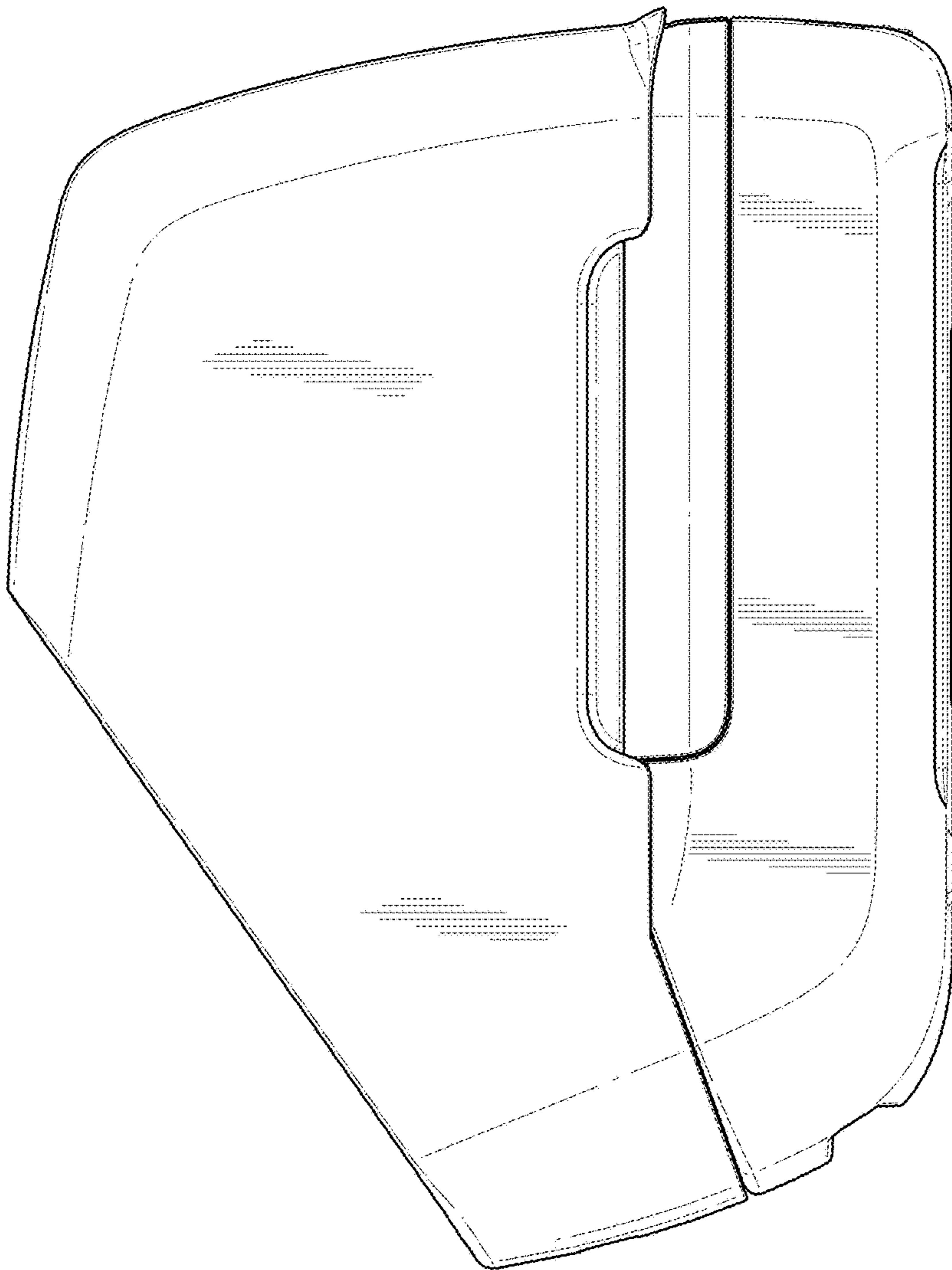


FIG. 4

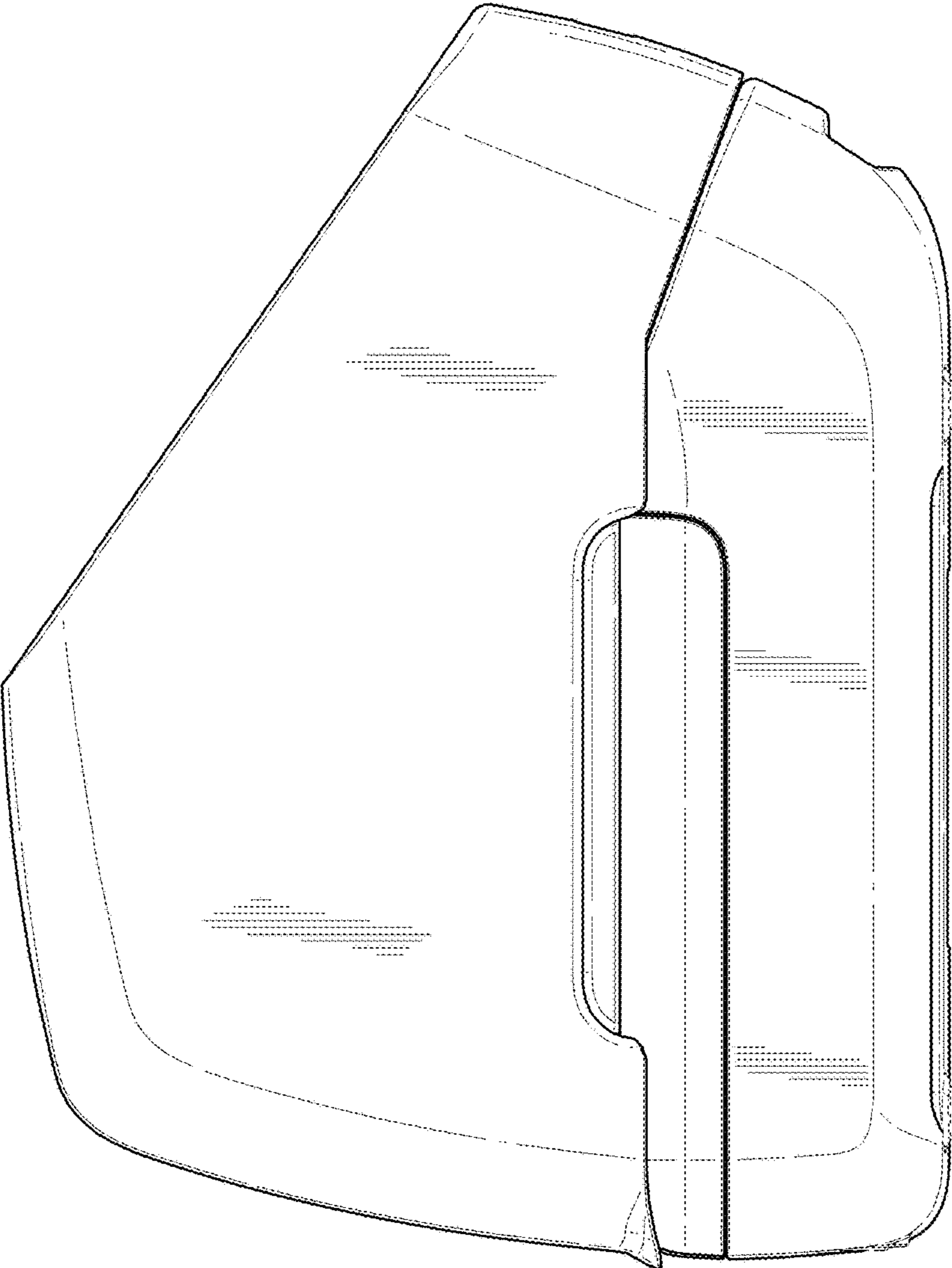


FIG. 5

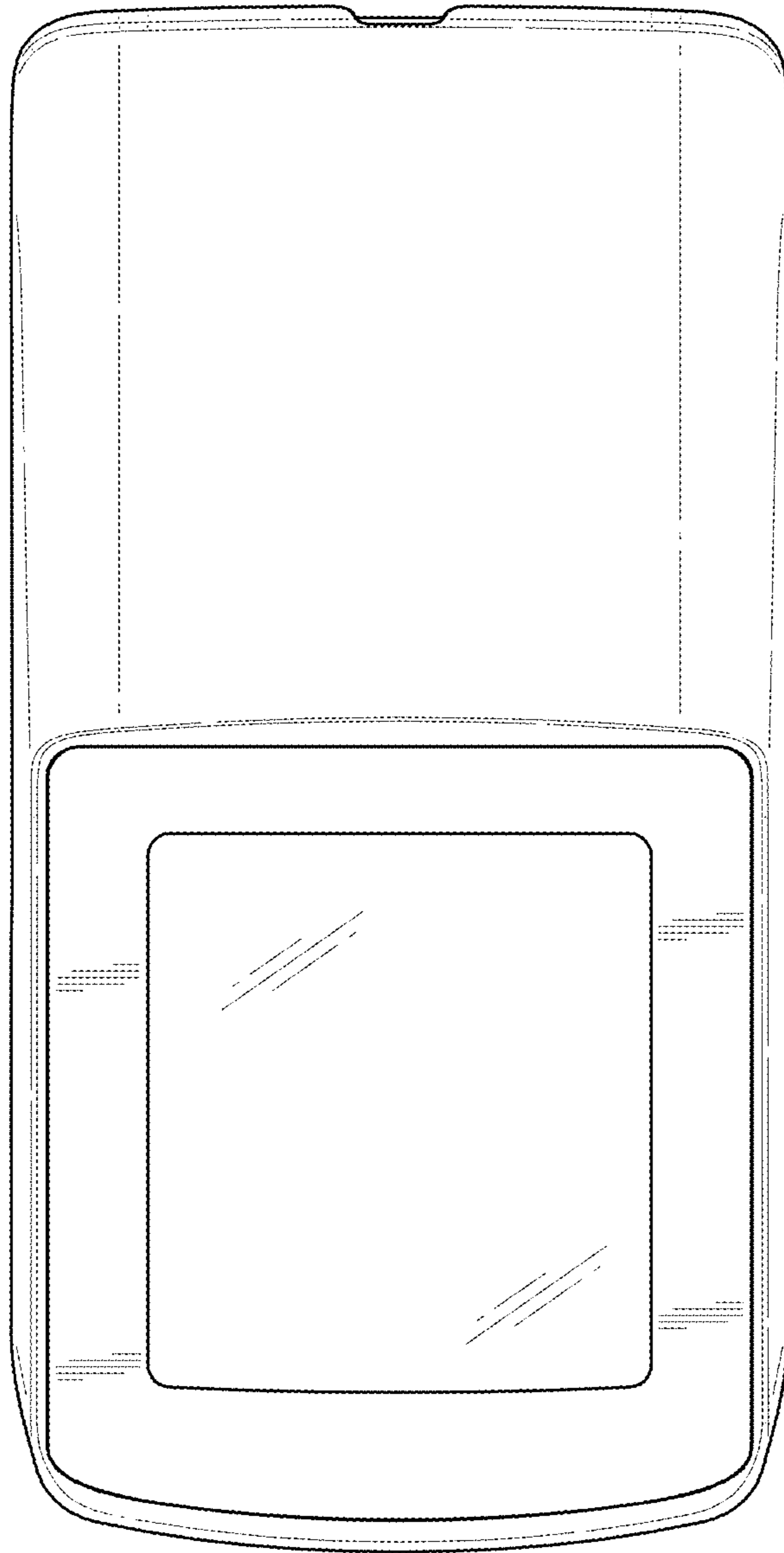


FIG. 6

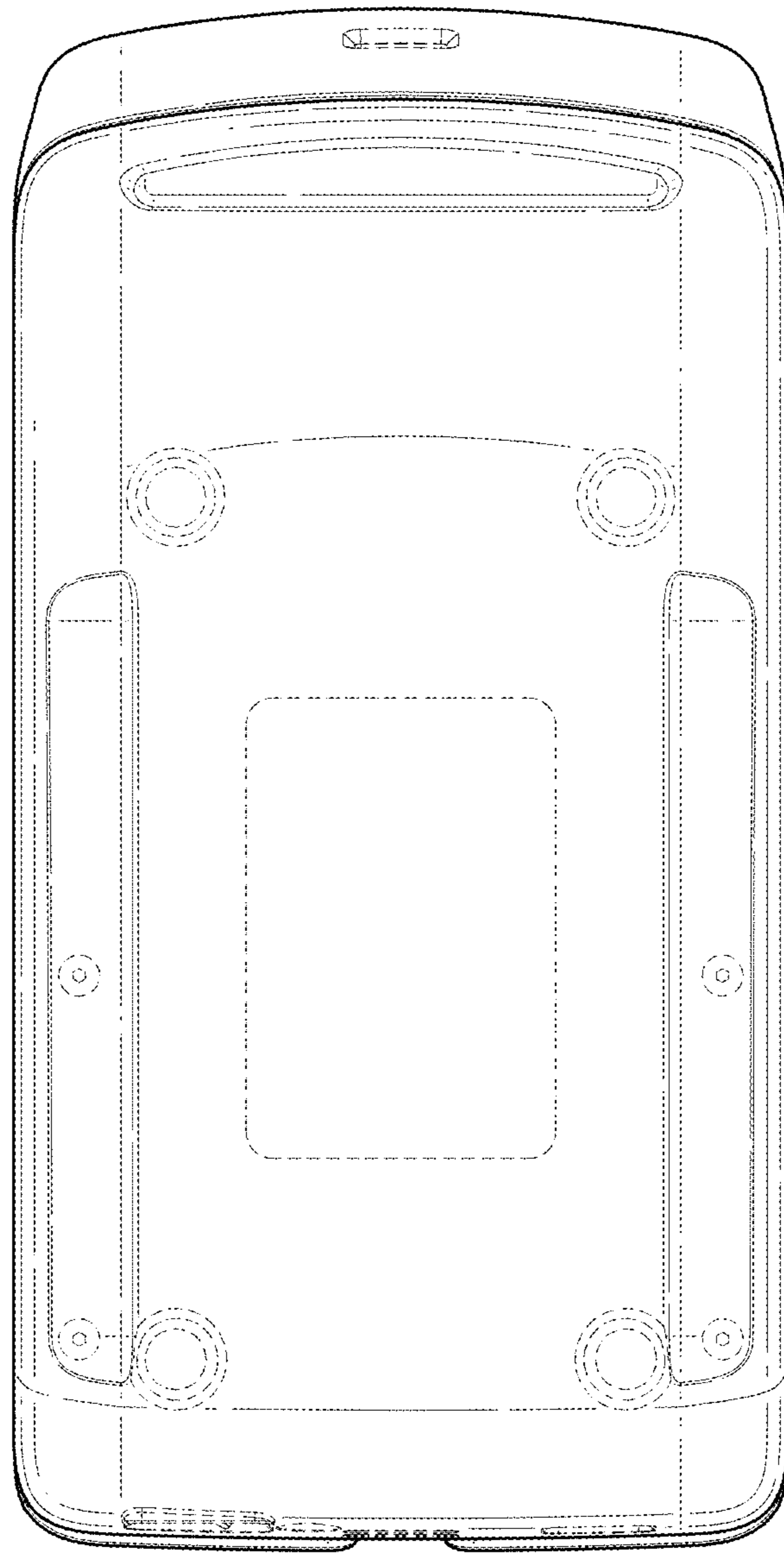


FIG. 7