

US00D827856S

(12) **United States Design Patent**
Tate

(10) **Patent No.:** **US D827,856 S**

(45) **Date of Patent:** **** Sep. 4, 2018**

(54) **CRYOSTAT CHUCK WITH IDENTIFICATION PLATFORM**

(71) Applicant: **Mary Tate**, Sunrise, FL (US)

(72) Inventor: **Mary Tate**, Sunrise, FL (US)

(**) Term: **15 Years**

(21) Appl. No.: **29/626,668**

(22) Filed: **Nov. 18, 2017**

Related U.S. Application Data

(62) Division of application No. 29/568,492, filed on Jun. 19, 2016, now Pat. No. Des. 803,414.

(51) **LOC (11) Cl.** **24-02**

(52) **U.S. Cl.**
USPC **D24/224**

(58) **Field of Classification Search**

USPC D24/216, 222, 224, 225, 231
CPC . A01N 1/00; A01N 1/02; A01N 1/257; A01N 1/263; A61B 10/0233; B01L 2200/085; B01L 2300/042; B01L 2300/0851; B01L 3/508; B24B 27/0023; B24B 27/04; B24B 37/04; B25B 1/103; B25B 1/241; B25B 5/16; G01N 1/06; G01N 1/286; G01N 1/312; G01N 1/30; G01N 1/36; G01N 1/42; G01N 1/44; G01N 2001/065; G01N 2001/2873; G01N 2001/366

See application file for complete search history.

(56) **References Cited**

U.S. PATENT DOCUMENTS

3,209,821 A * 10/1965 Zeytoonian G01N 1/06
165/185
3,552,733 A * 1/1971 Pickett G01N 1/06
269/14
4,343,112 A * 8/1982 Jarrett B24B 37/04
451/288

4,752,347 A * 6/1988 Rada G01N 1/36
156/382
5,188,347 A * 2/1993 Hunnell B25B 1/103
269/258
5,776,298 A * 7/1998 Franks G01N 1/36
156/390

(Continued)

Primary Examiner — Ian Simmons

Assistant Examiner — Mark Cavanna

(74) *Attorney, Agent, or Firm* — Nancy J. Flint, Attorney at Law, P.A.; Nancy J. Flint, Esq.

(57) **CLAIM**

The ornamental design for a cryostat chuck with identification platform, as shown and described.

DESCRIPTION

FIG. 1 is a top perspective view of the first embodiment of a cryostat chuck with identification platform showing my new design;

FIG. 2 is a bottom perspective view thereof;

FIG. 3 is a top plan view thereof;

FIG. 4 is a bottom plan view thereof;

FIG. 5 is a left side elevation view thereof;

FIG. 6 is a front elevation view thereof and

FIG. 7 is a rear elevation view thereof.

FIG. 8 is a top perspective view of the second embodiment of a cryostat chuck with identification platform showing my new design;

FIG. 9 is a bottom perspective view thereof;

FIG. 10 is a top plan view thereof;

FIG. 11 is a bottom plan view thereof;

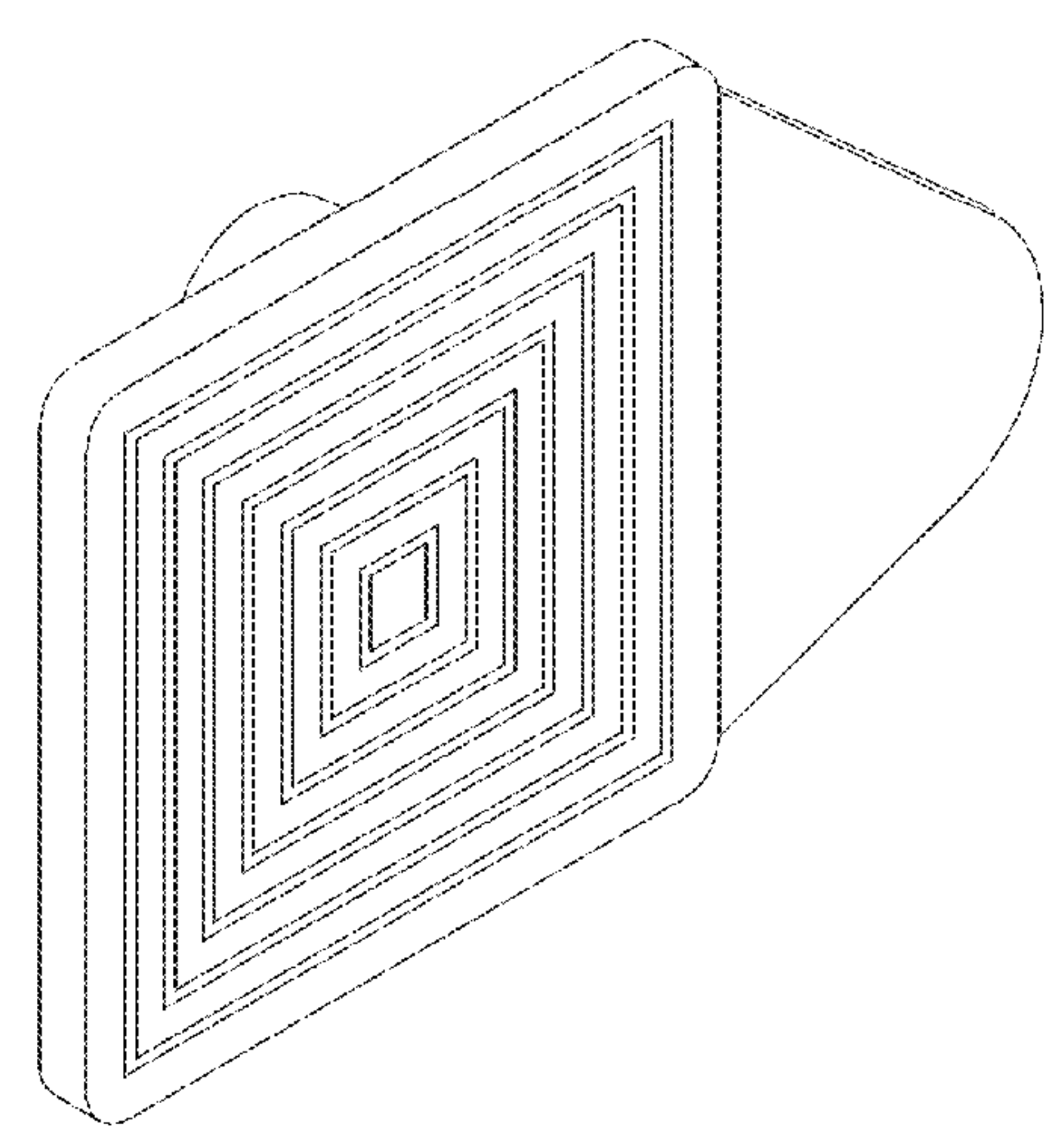
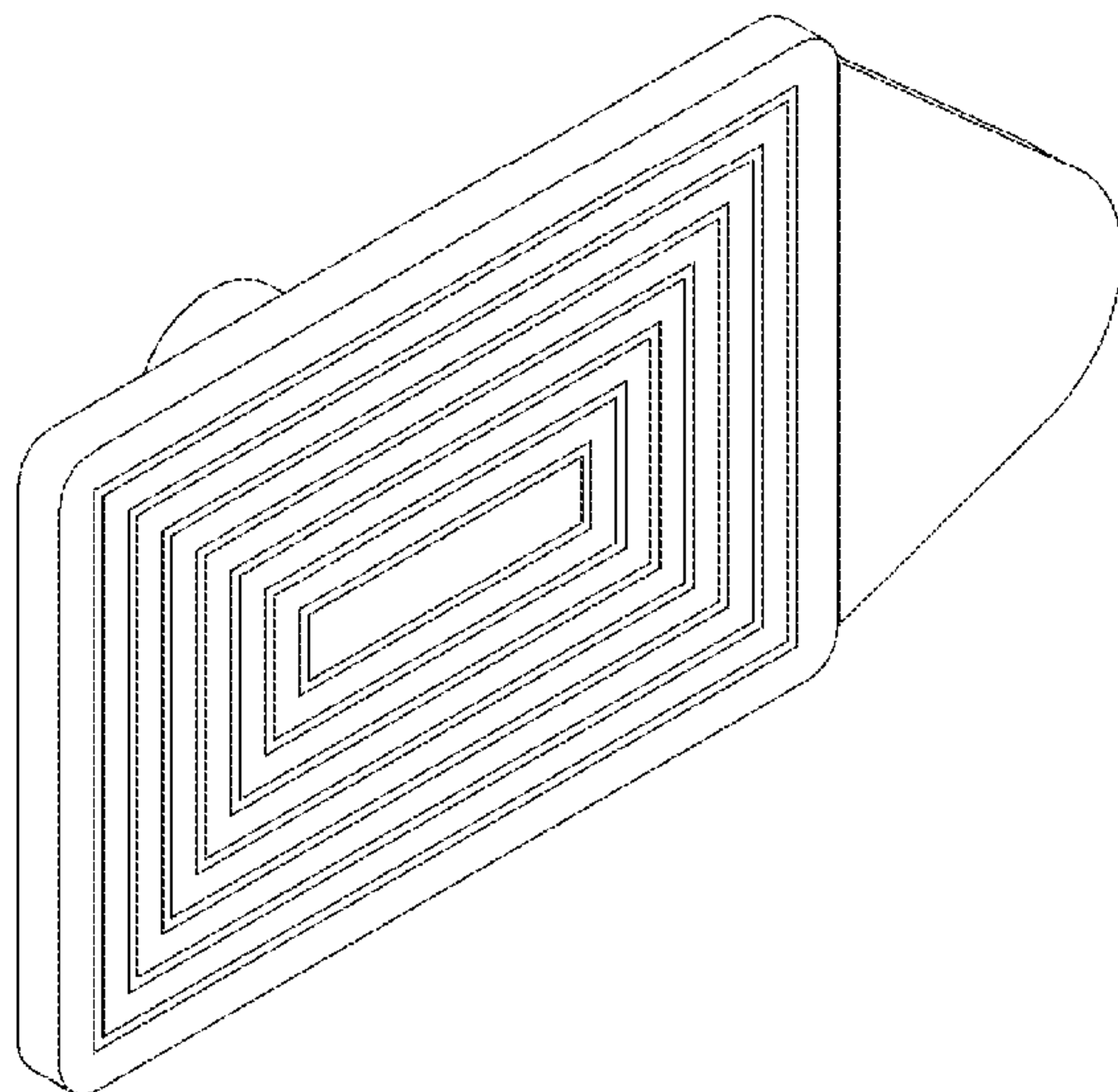
FIG. 12 is a left side elevation view thereof;

FIG. 13 is a front elevation view thereof; and,

FIG. 14 is a rear elevation view thereof.

The right side views not shown in the drawings are mirror images of the left side views seen in FIGS. 5 and 12.

1 Claim, 6 Drawing Sheets



(56)

References Cited

U.S. PATENT DOCUMENTS

5,983,991	A *	11/1999	Franks	G01N 1/06 165/168
6,536,219	B2 *	3/2003	Peters	G01N 1/42 165/80.1
6,558,629	B1 *	5/2003	Davidson	B01L 3/508 422/536
6,875,583	B2 *	4/2005	Giberson	G01N 1/44 435/1.1
7,059,139	B1 *	6/2006	Marsing	G01N 1/36 269/900
7,234,308	B1 *	6/2007	Critz	A01N 1/02 249/111
7,257,953	B2 *	8/2007	Rada	A01N 1/02 62/381
8,151,593	B2 *	4/2012	Henderson	A01N 1/00 422/63
8,641,989	B2 *	2/2014	Marsing	G01N 1/42 269/309
2004/0152204	A1 *	8/2004	Gauthier	G01N 1/286 436/174
2008/0041069	A1 *	2/2008	Vicar	G01N 1/06 62/51.1
2016/0084741	A1 *	3/2016	Bambot	G01N 1/06 83/15
2016/0299039	A1 *	10/2016	Hemmings	A61B 10/0233

* cited by examiner

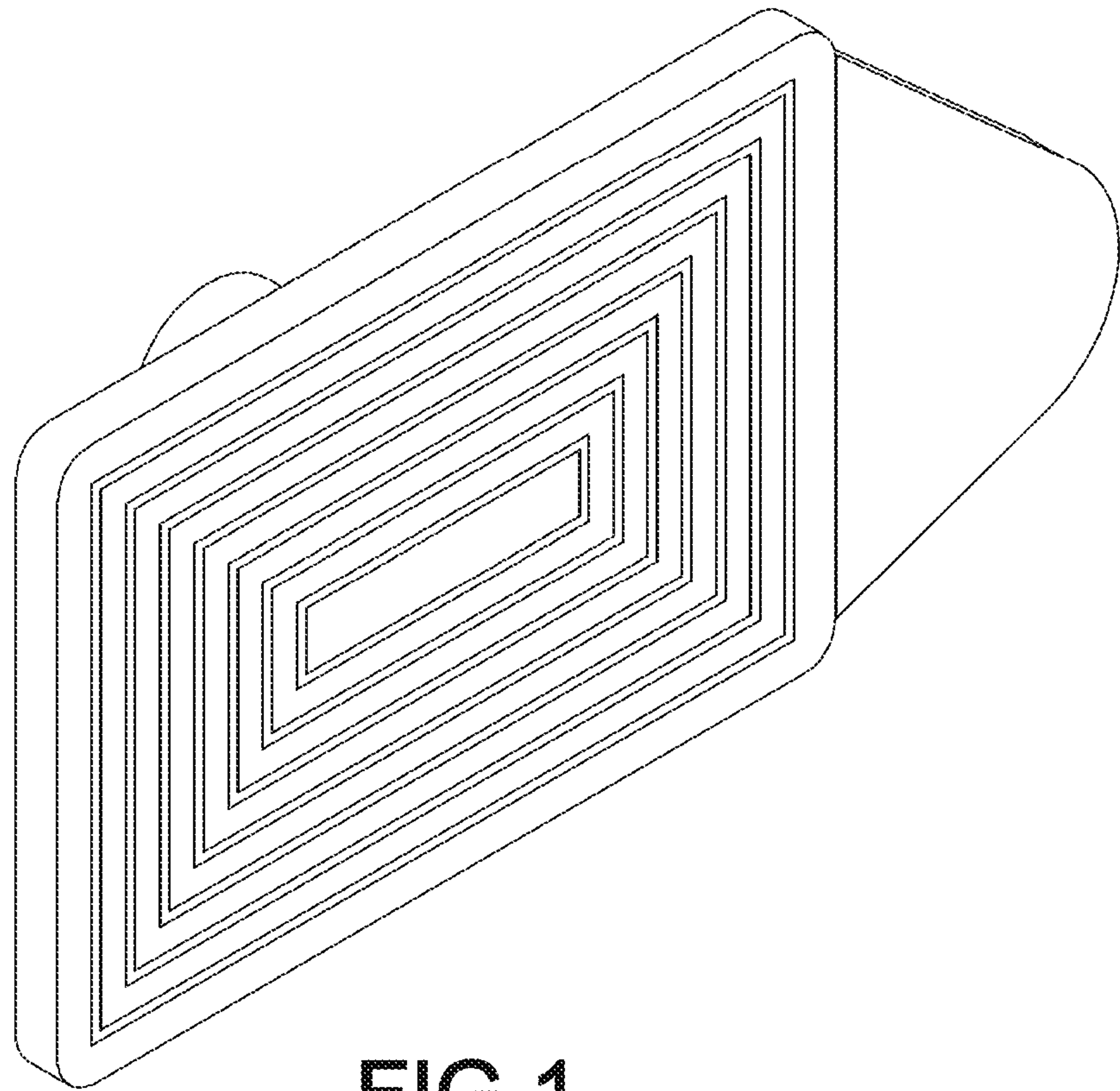


FIG. 1

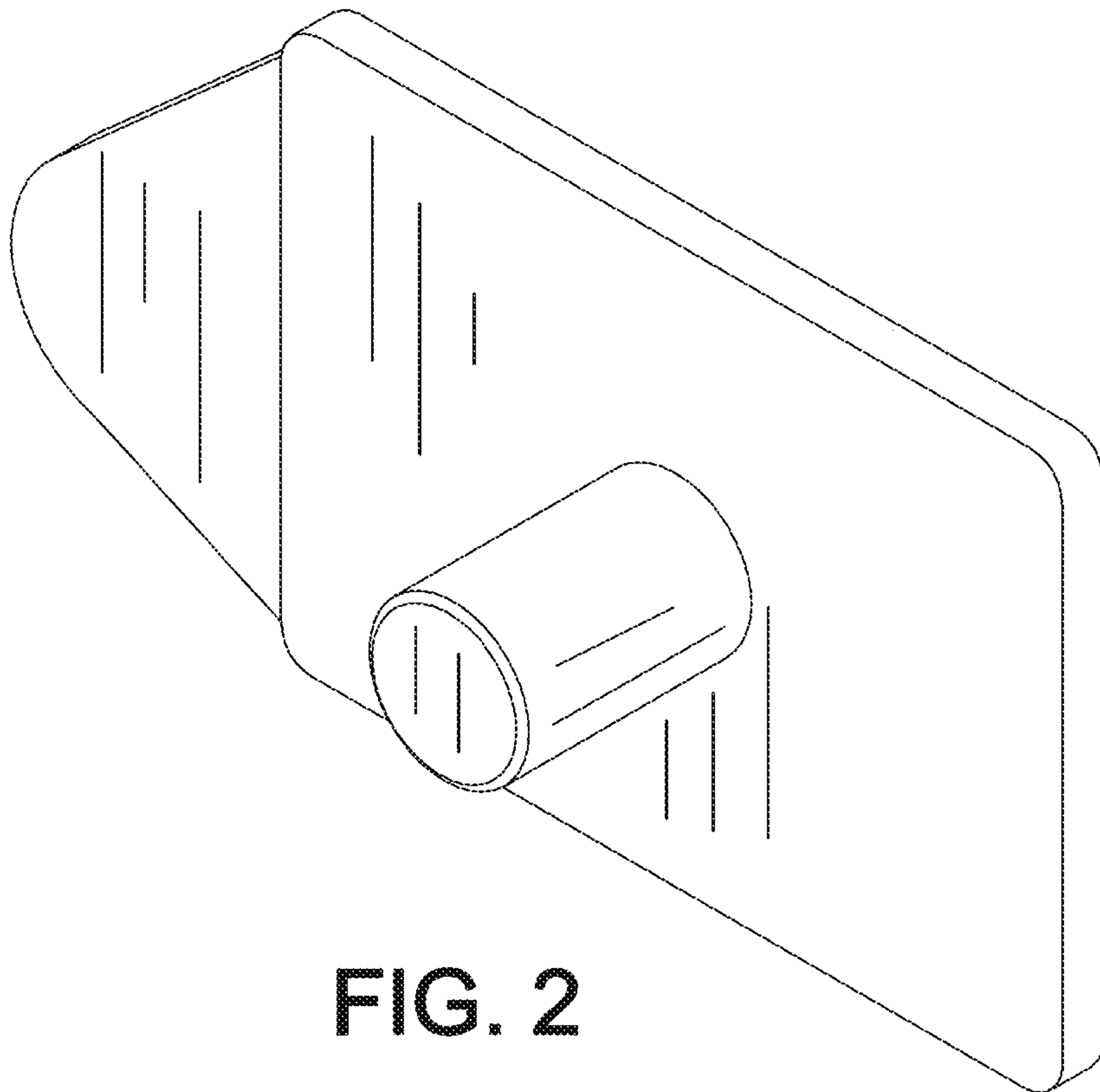


FIG. 2

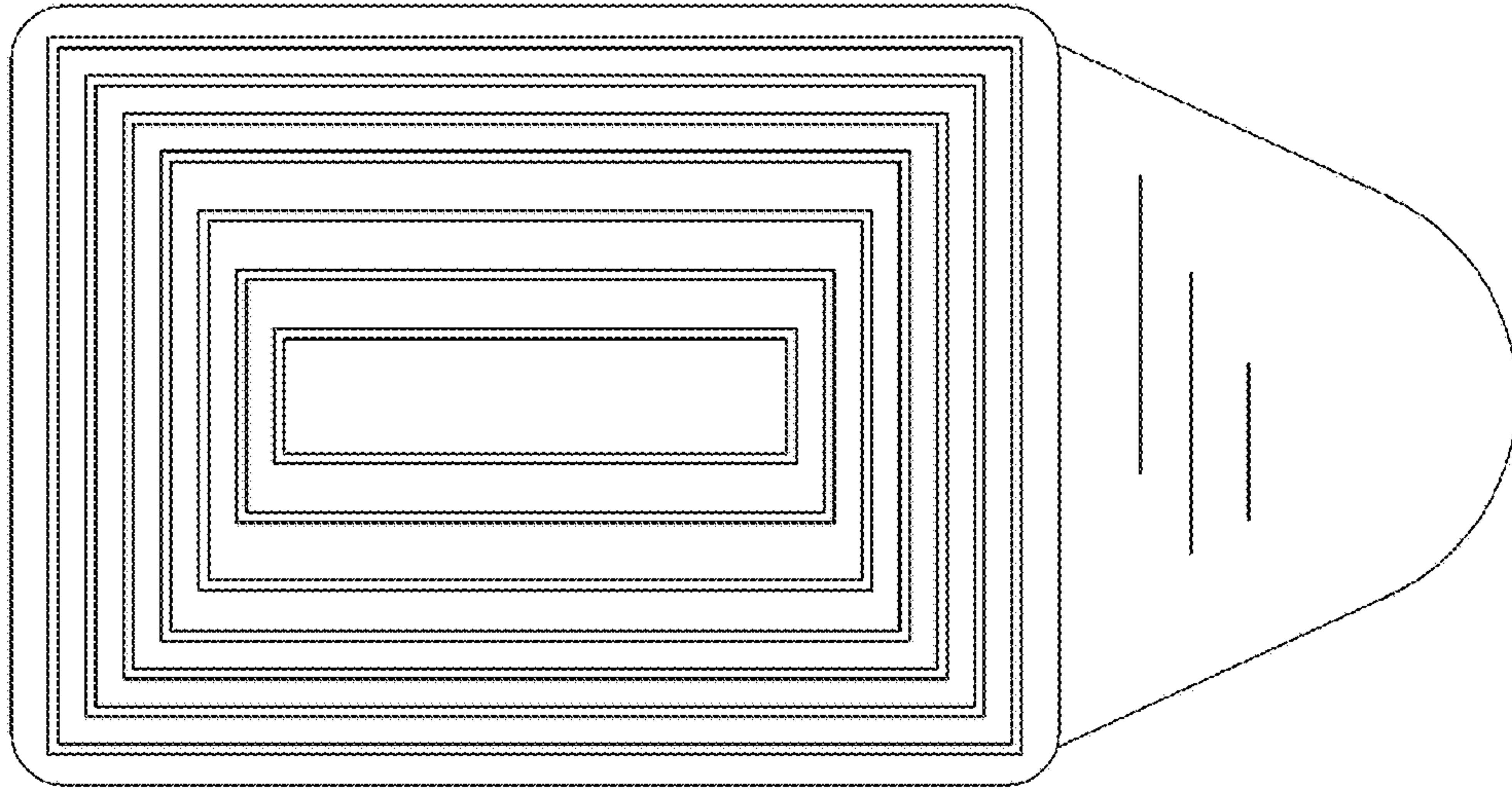


FIG. 3

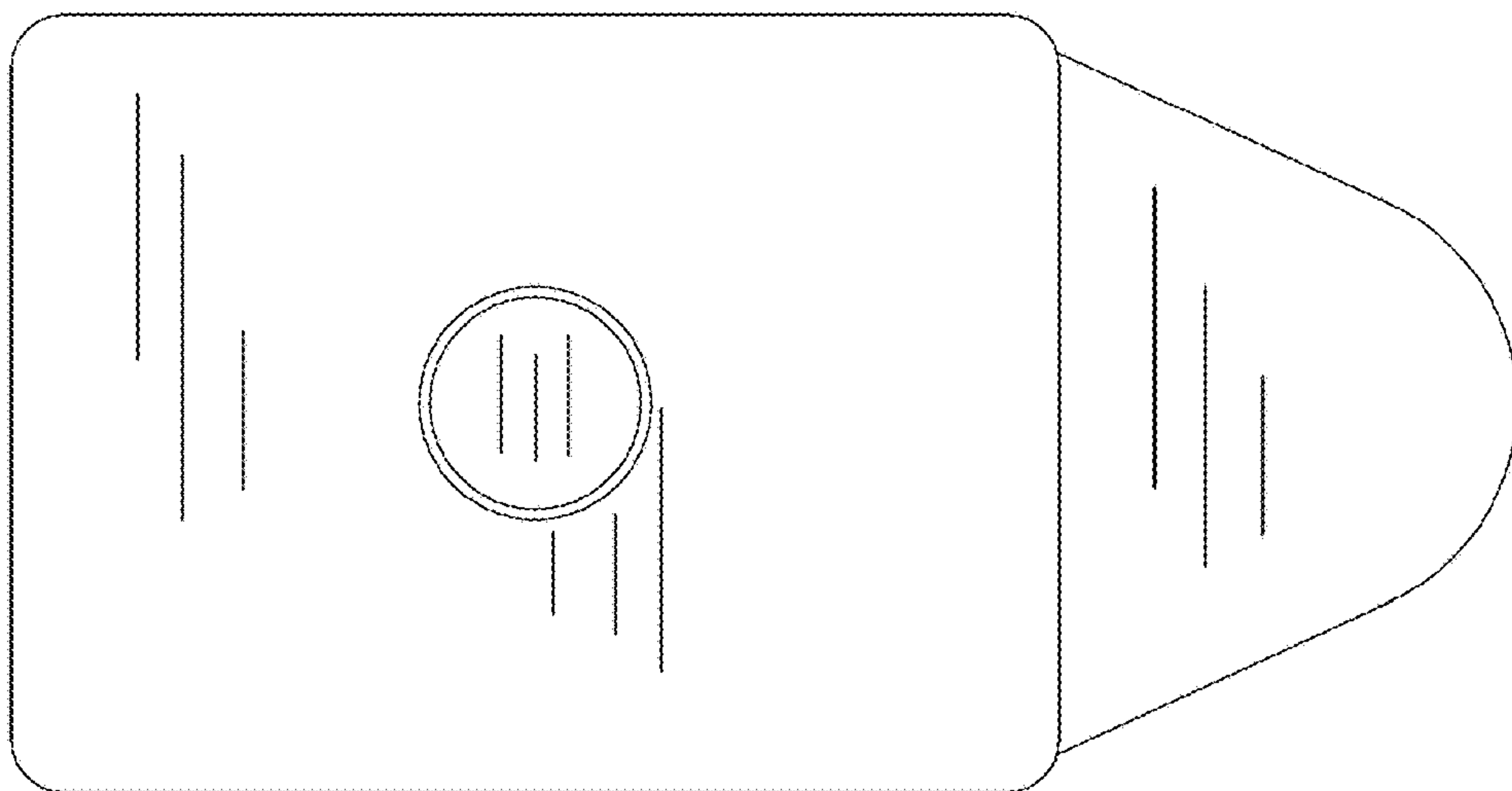


FIG. 4

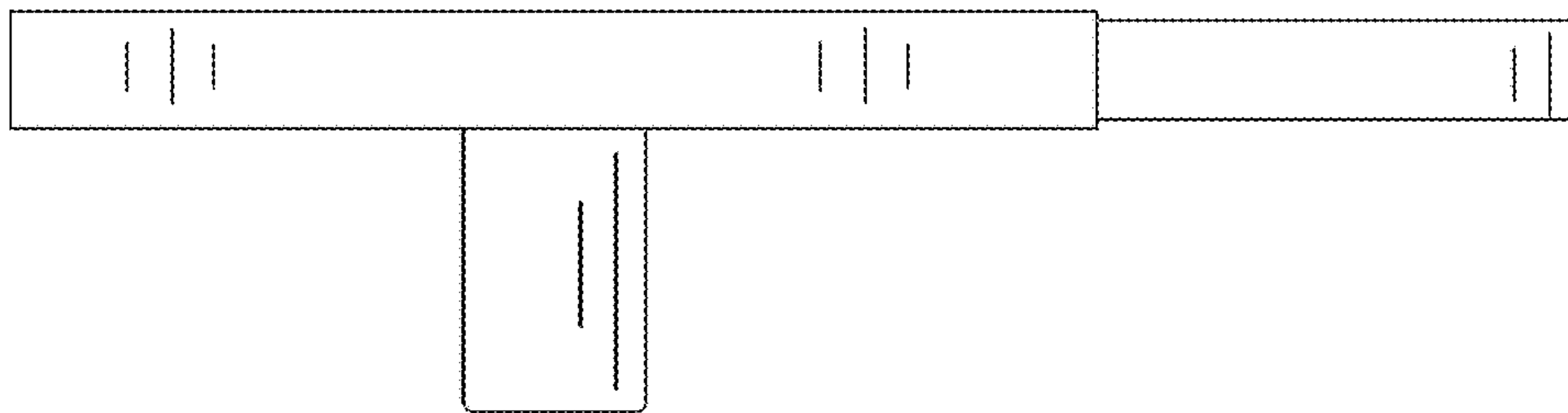


FIG. 5

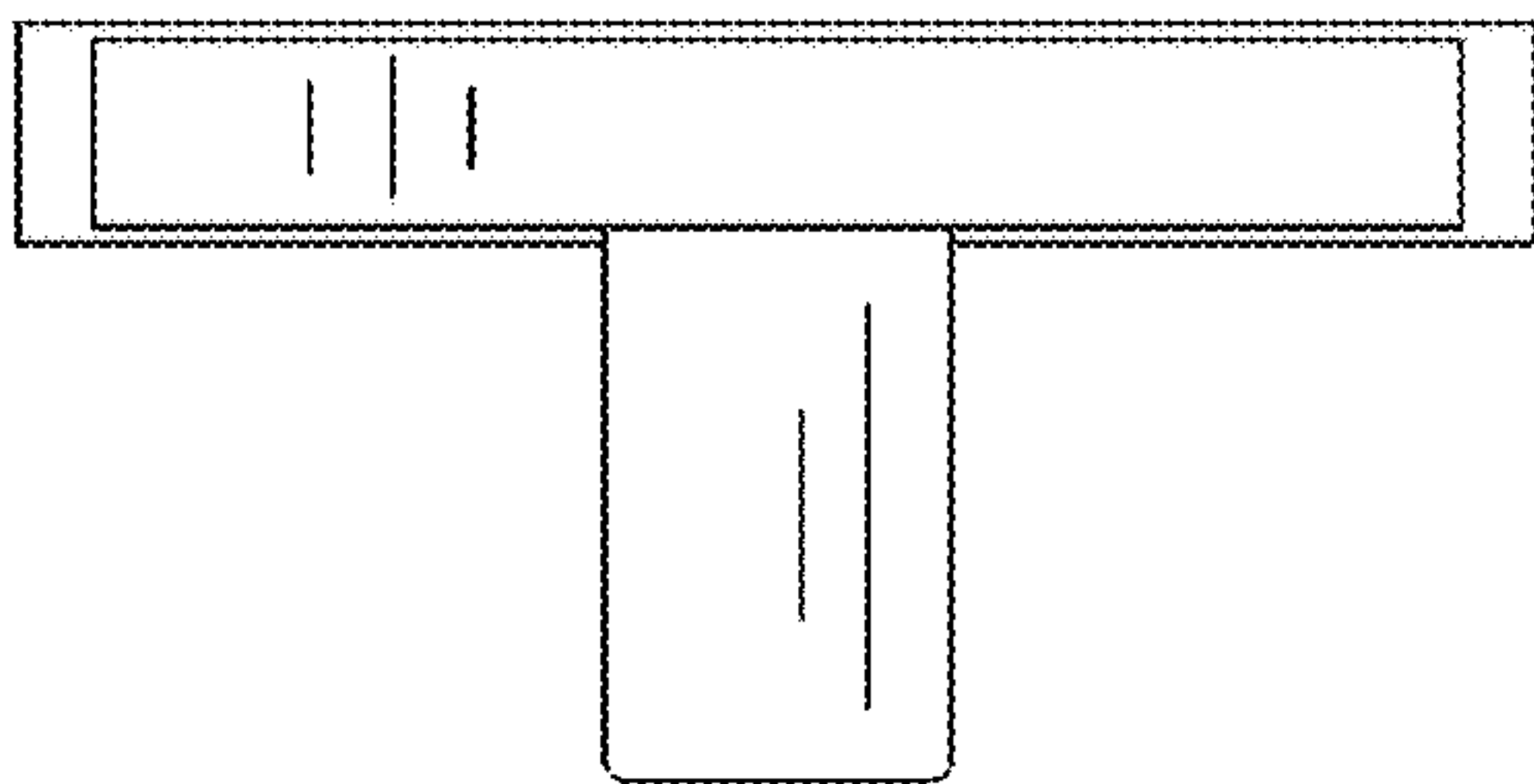


FIG. 6

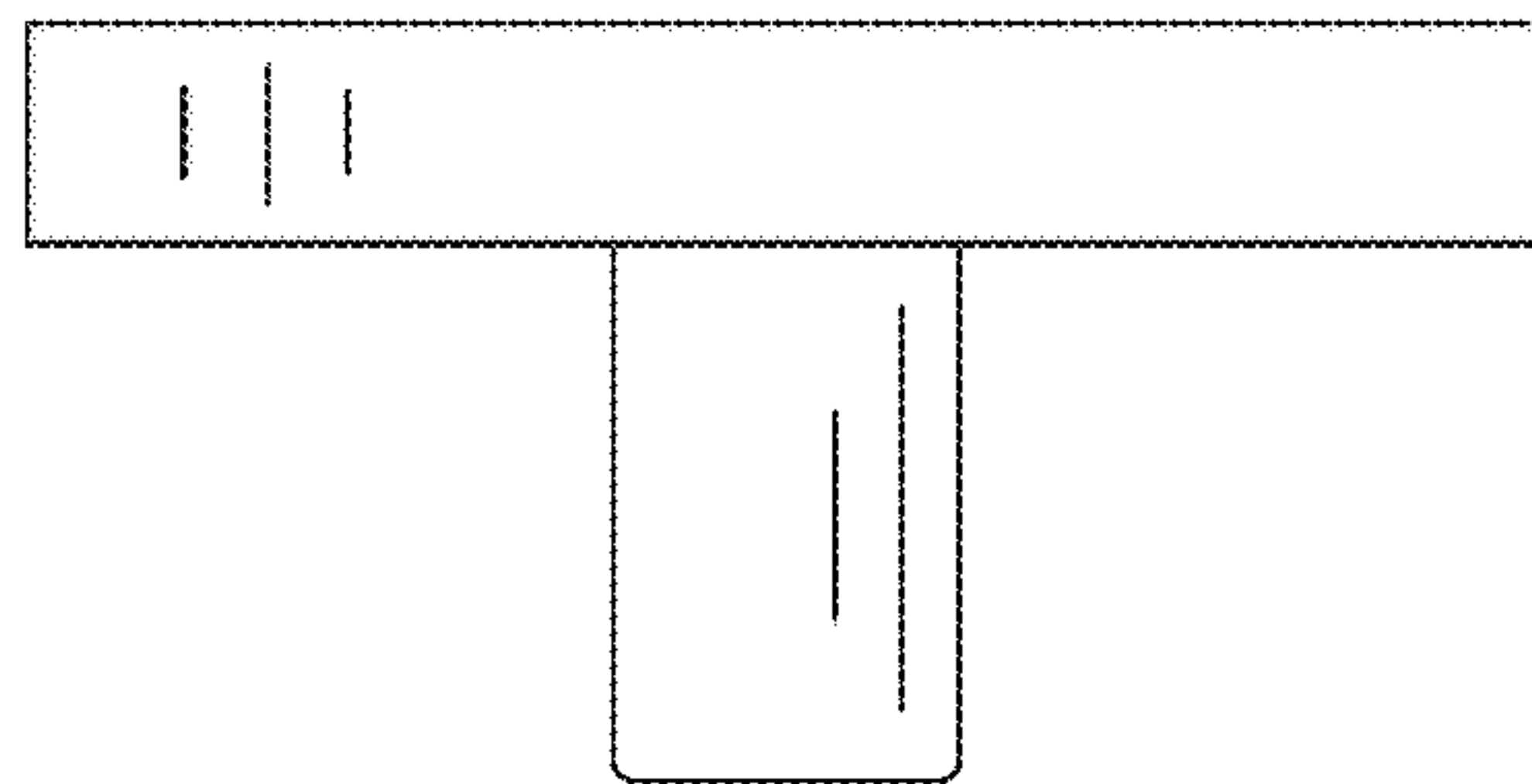


FIG. 7

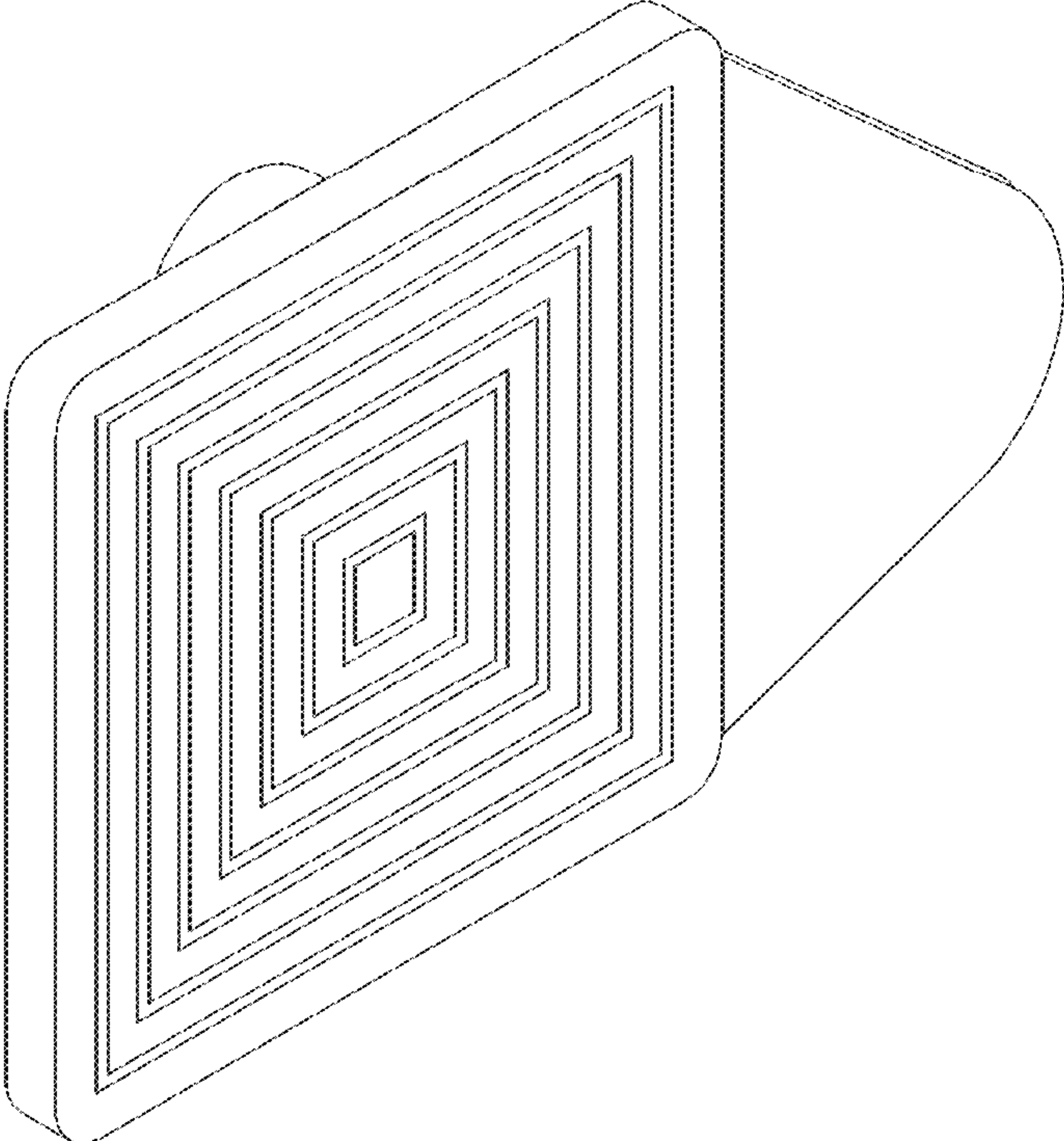


FIG. 8

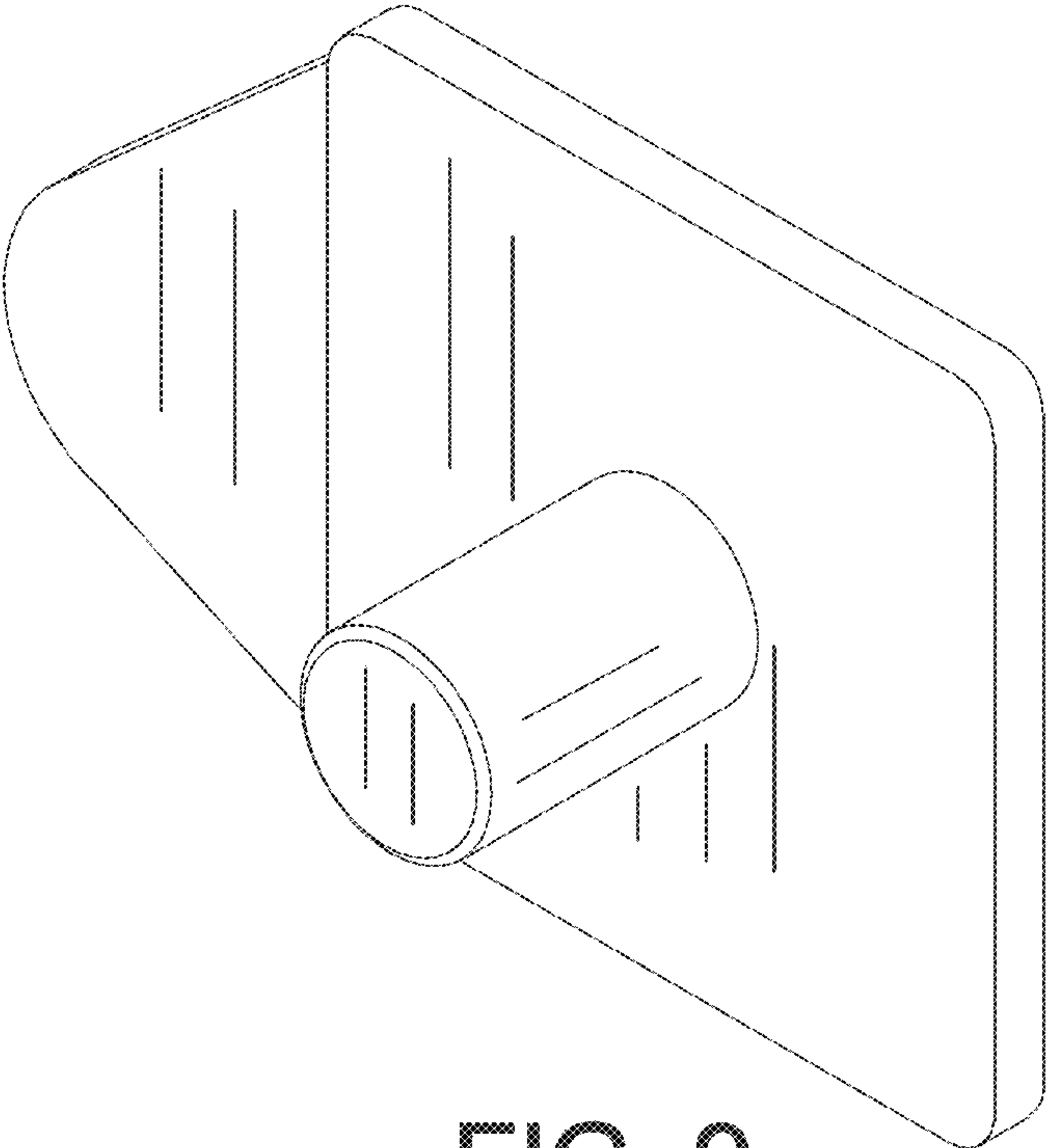


FIG. 9

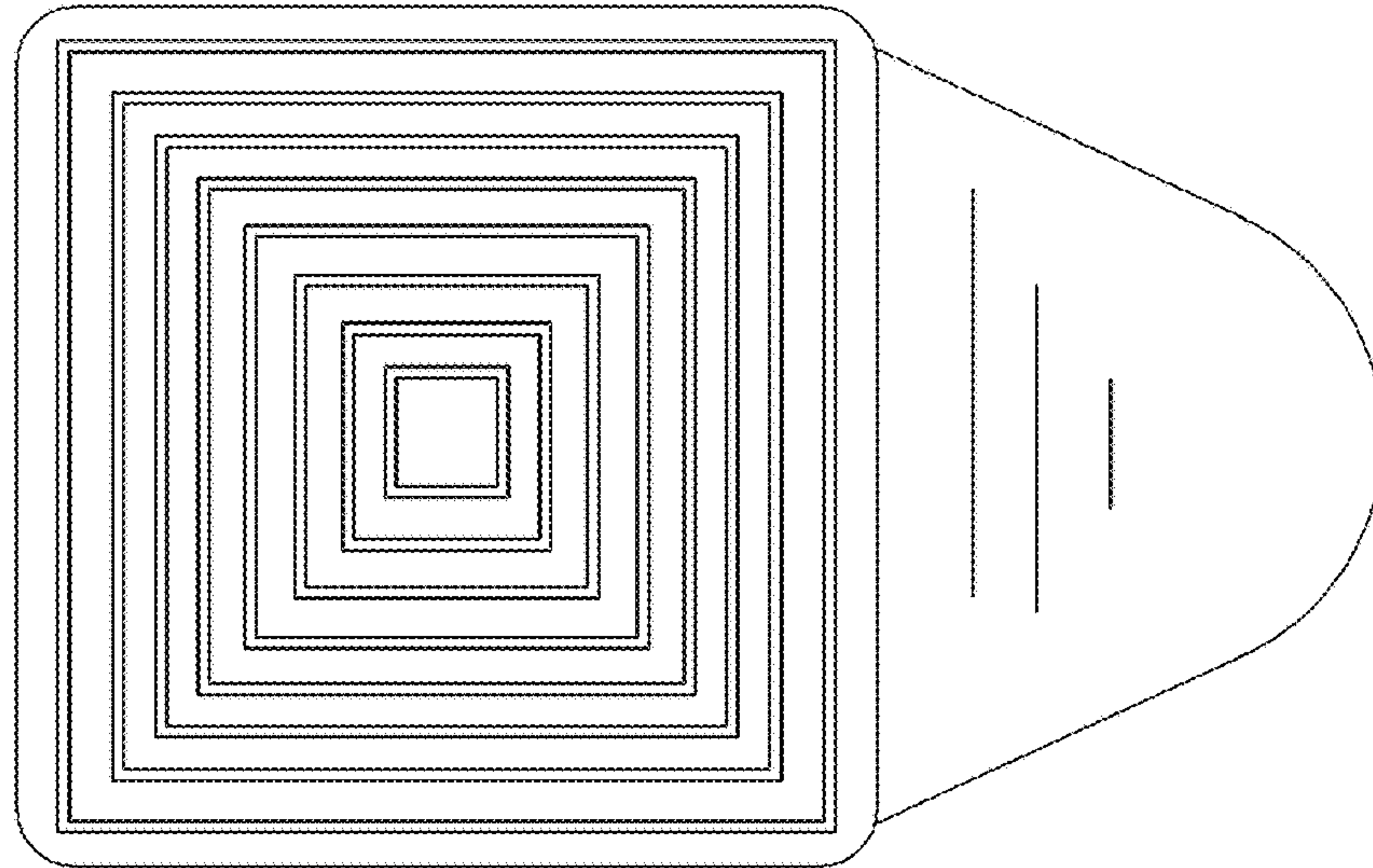


FIG. 10

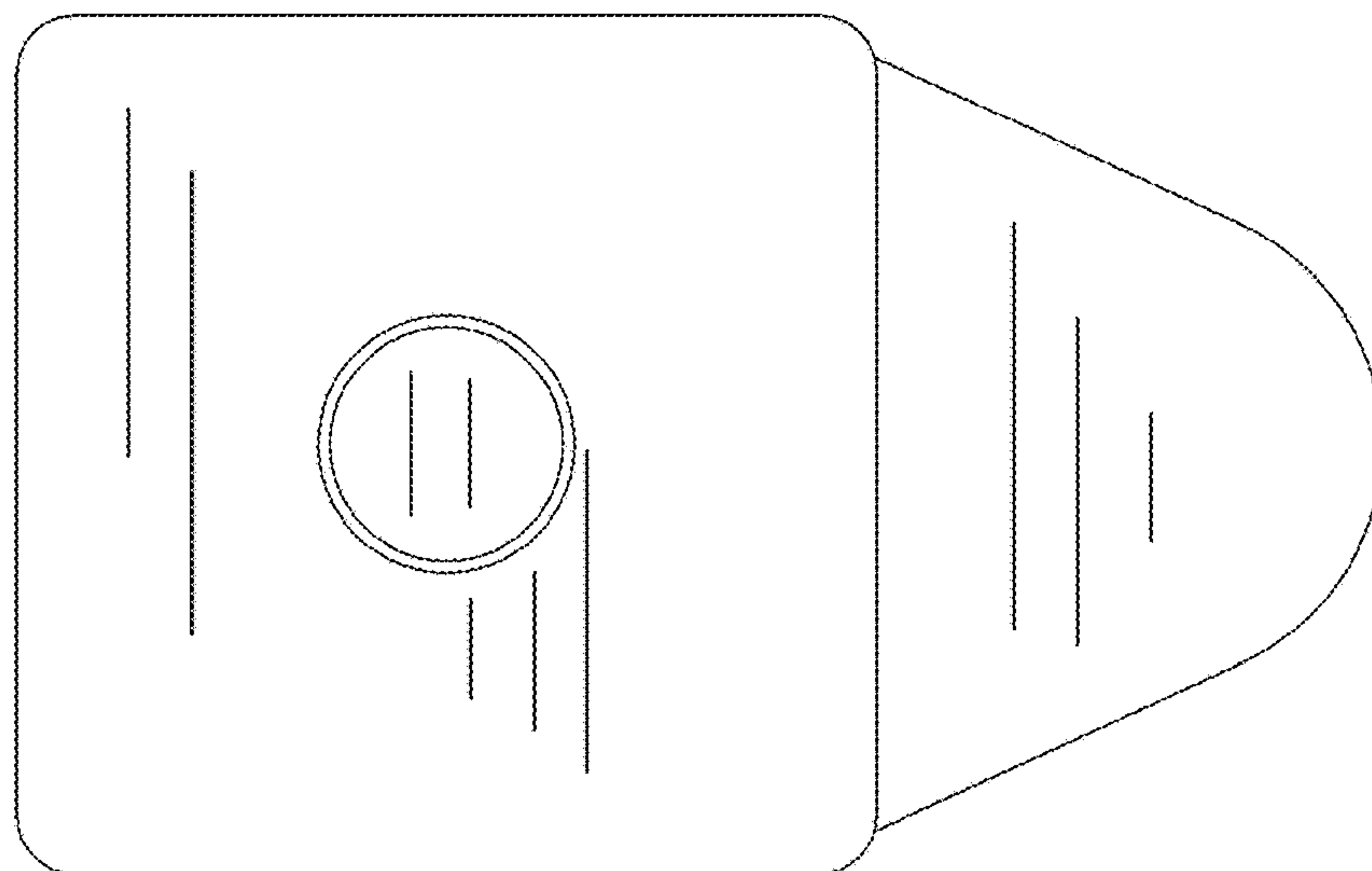


FIG. 11

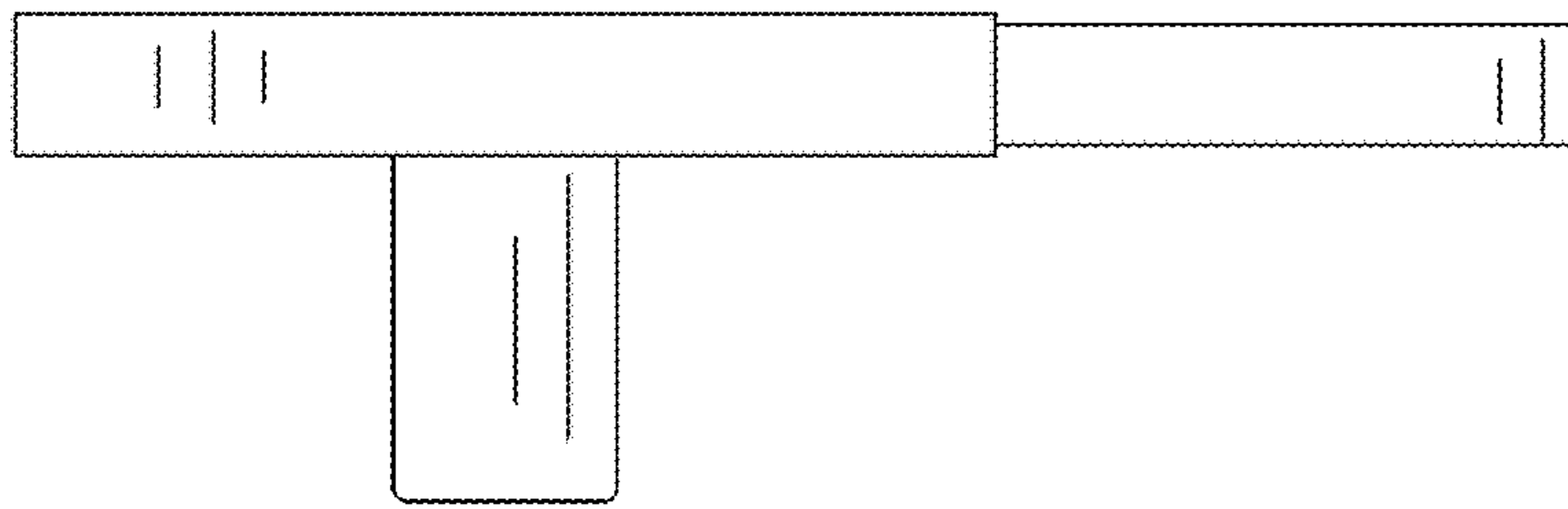


FIG. 12

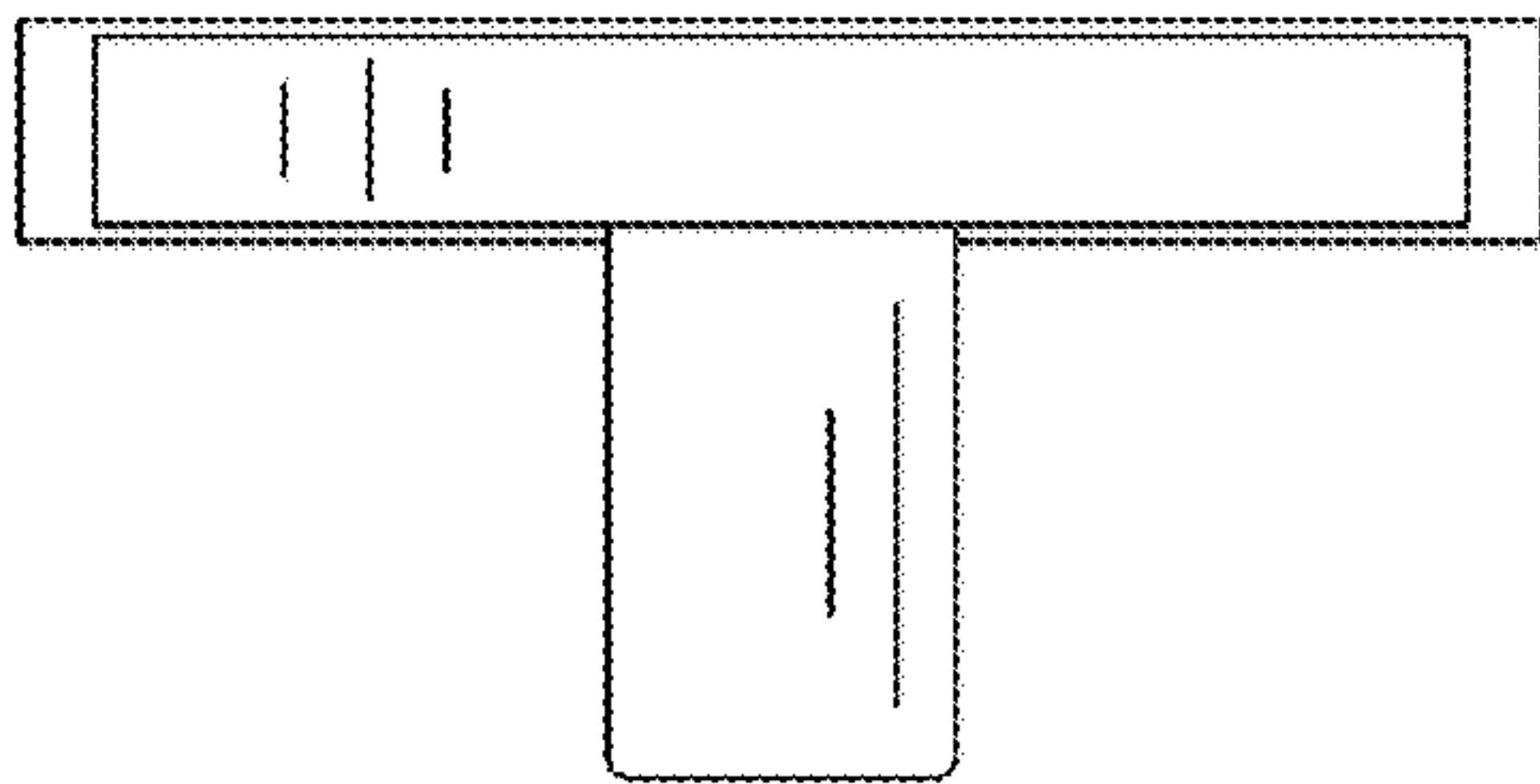


FIG. 13

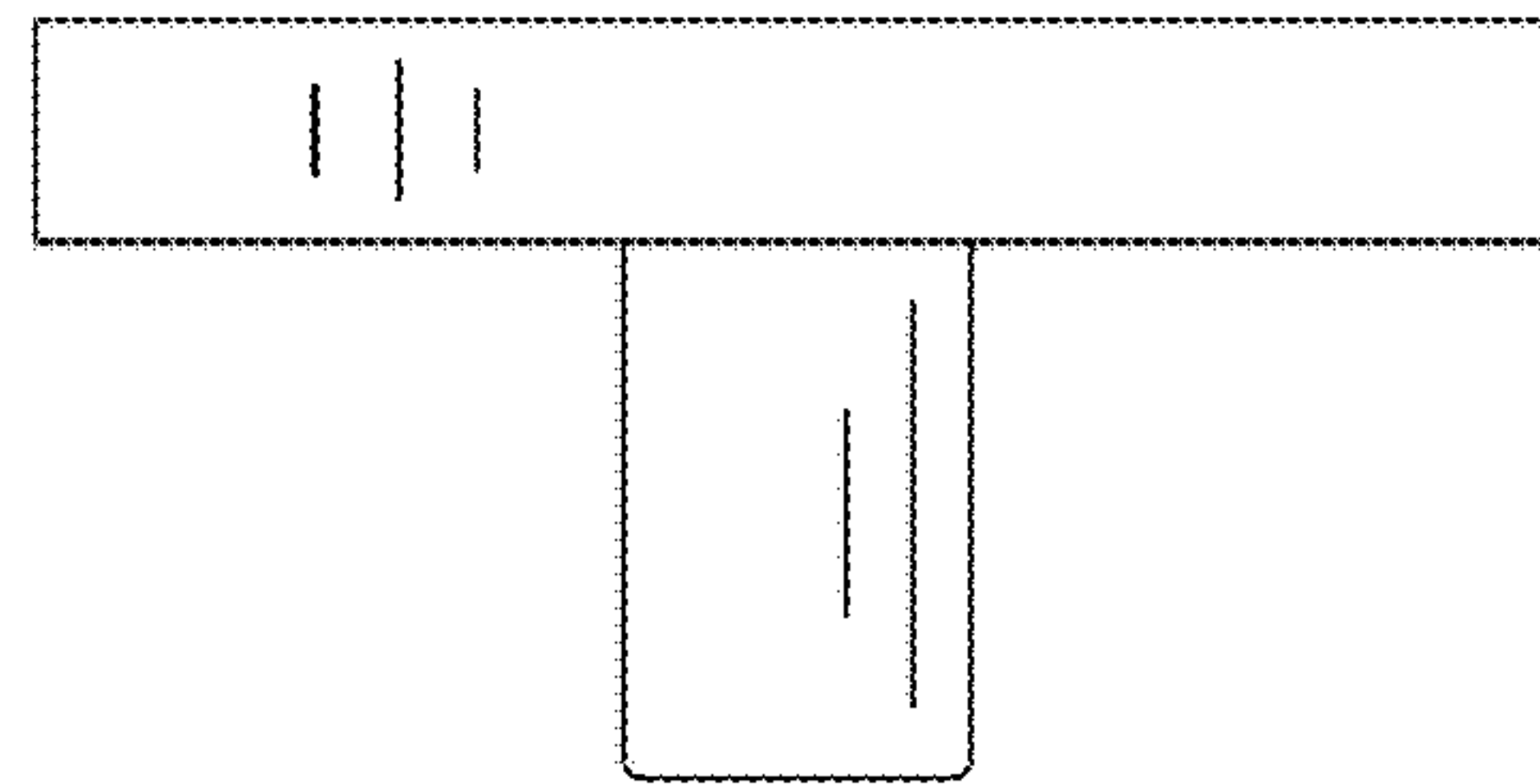


FIG. 14