



US00D827854S

(12) **United States Design Patent**
McSherry et al.

(10) **Patent No.:** **US D827,854 S**
(45) **Date of Patent:** **** Sep. 4, 2018**

(54) **BIOLOGICAL SAMPLE COLLECTION DEVICE**

(71) Applicant: **In HindSight LLC**, San Diego, CA (US)

(72) Inventors: **Kathleen Mary McSherry**, San Diego, CA (US); **Srdjan Simic**, San Diego, CA (US)

(73) Assignee: **IN HINDSIGHT LLC**, San Diego, CA (US)

(**) Term: **15 Years**

(21) Appl. No.: **29/549,570**

(22) Filed: **Dec. 22, 2015**

(51) **LOC (11) Cl.** **24-01**

(52) **U.S. Cl.**
USPC **D24/216**

(58) **Field of Classification Search**

USPC D24/216, 223, 224, 231, 232, 233, 169, D24/186, 119, 121; D10/81

CPC B01L 3/5029; B01L 3/5023; B01L 3/508; B01L 2300/0835; A16B 10/0038; A16B 10/0045; A16B 10/0051; A16B 10/0096; A16B 2010/0216

See application file for complete search history.

(56) **References Cited**

U.S. PATENT DOCUMENTS

5,163,441 A * 11/1992 Monthony A61B 10/02 435/287.2
D477,669 S * 7/2003 Zhou D24/216
D580,070 S * 11/2008 Riley D24/216
D640,794 S * 6/2011 Sunstrum D24/216
D750,270 S * 2/2016 Ching D24/216

D776,291 S * 1/2017 Wan D24/216
2005/0277846 A1 * 12/2005 Chou A61B 10/0291 600/569
2011/0087133 A1 * 4/2011 Ching A61B 10/0045 600/572
2012/0067144 A1 * 3/2012 Slowey A61B 10/0051 73/864.73
2013/0066233 A1 * 3/2013 Klein A61B 10/0291 600/572
2014/0073988 A1 * 3/2014 McSherry A61B 10/0045 600/572

* cited by examiner

Primary Examiner — Anhdao Doan

(74) *Attorney, Agent, or Firm* — Sheppard, Mullin, Richter & Hampton LLP; Daniel Yannuzzi

(57) **CLAIM**

We claim the ornamental design for a biological sample collection device, as shown and described.

DESCRIPTION

FIG. 1 is a top perspective view of a biological sample collection device;

FIG. 2 is a side perspective view of the biological sample collection device;

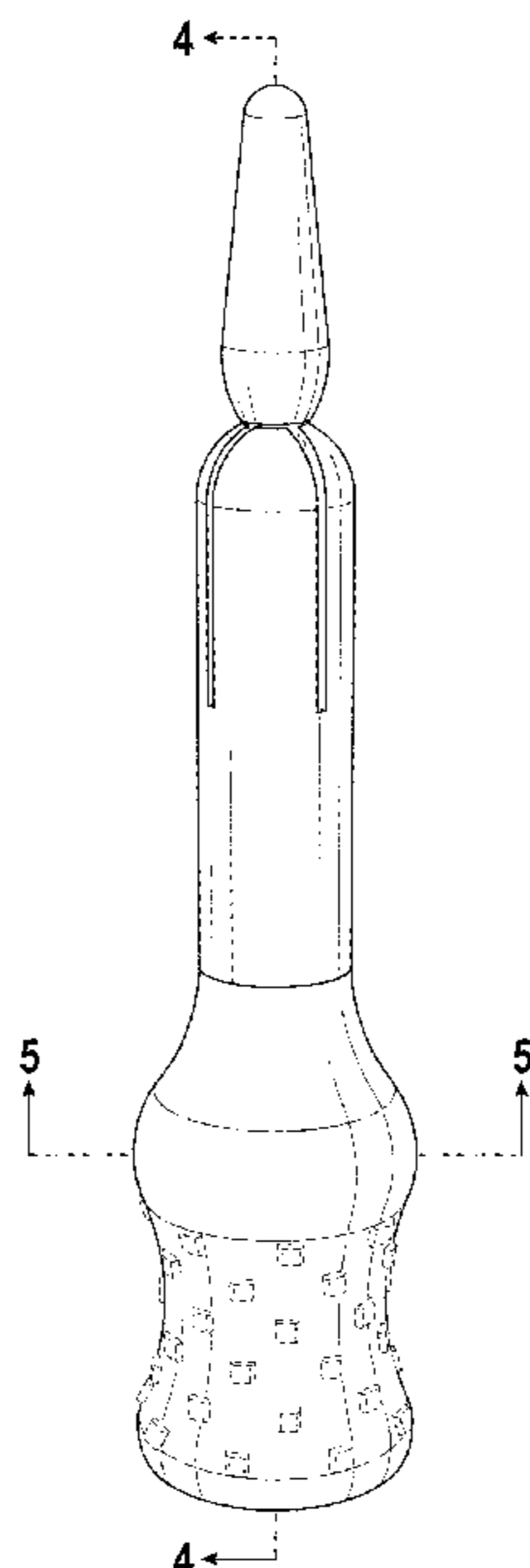
FIG. 3 is a bottom perspective view of the biological sample collection device;

FIG. 4 is a cross-section view of the biological sample collection device taken along line 4-4 of FIG. 2, the other side cross-section view being omitted as the device is symmetrical; and,

FIG. 5 is a cross-section view of the biological sample collection device taken along line 5-5 of FIG. 2.

The broken lines illustrate portions of the biological sample collection device that form no part of the claimed design.

1 Claim, 4 Drawing Sheets



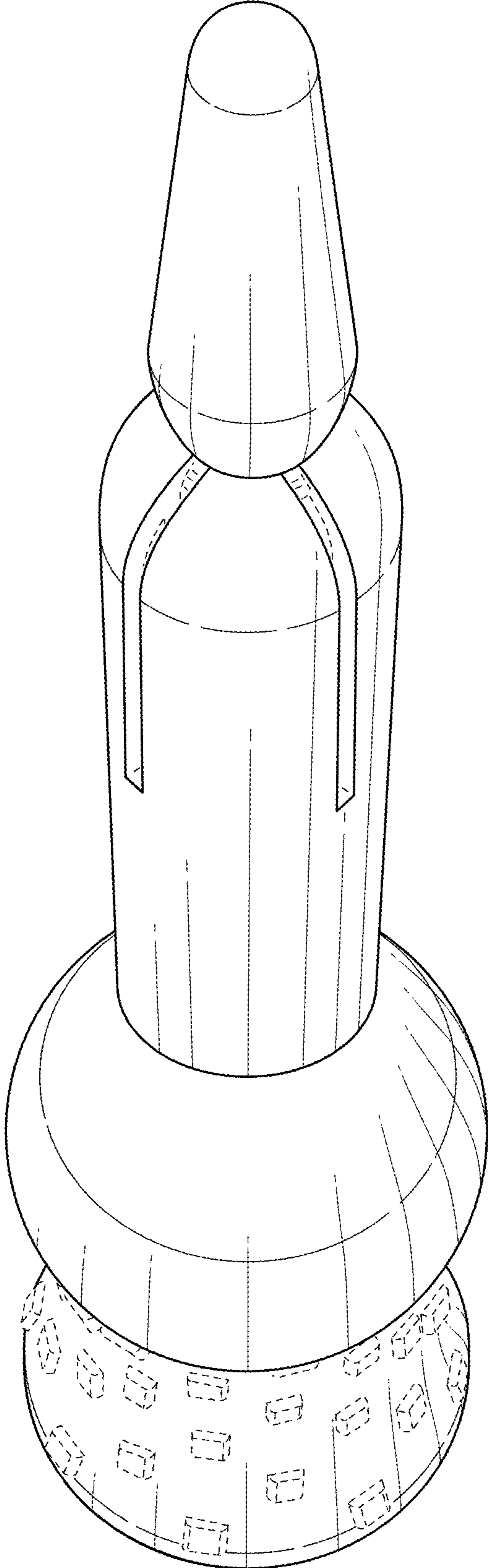


FIG. 1

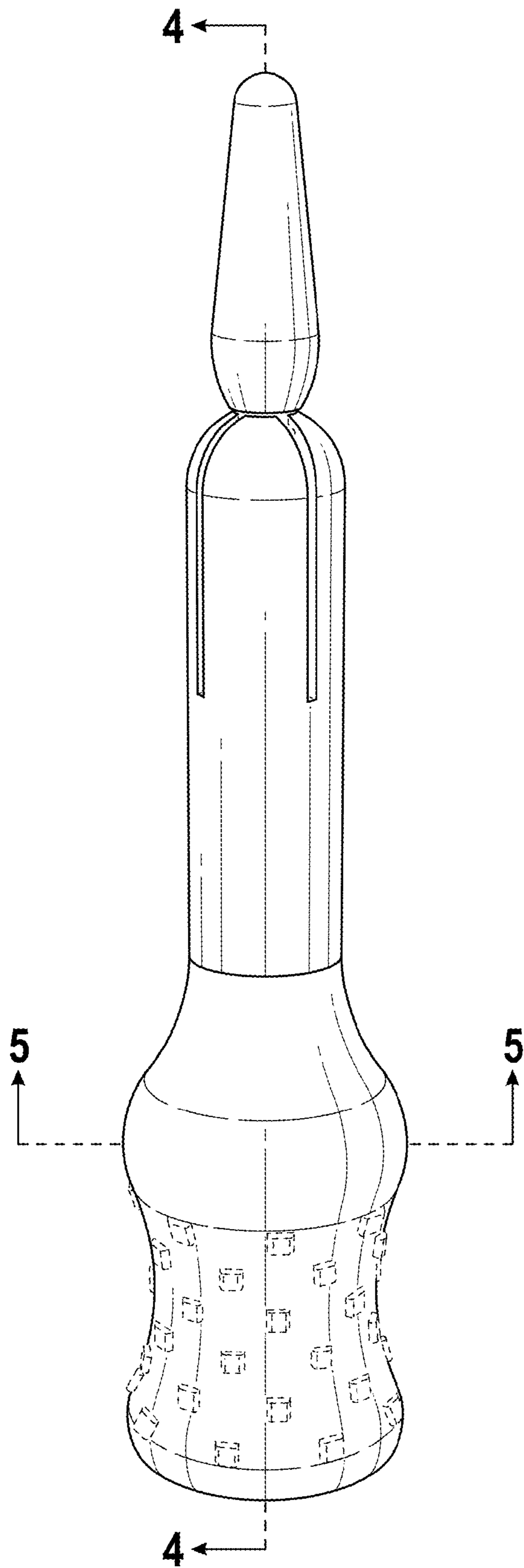


FIG. 2

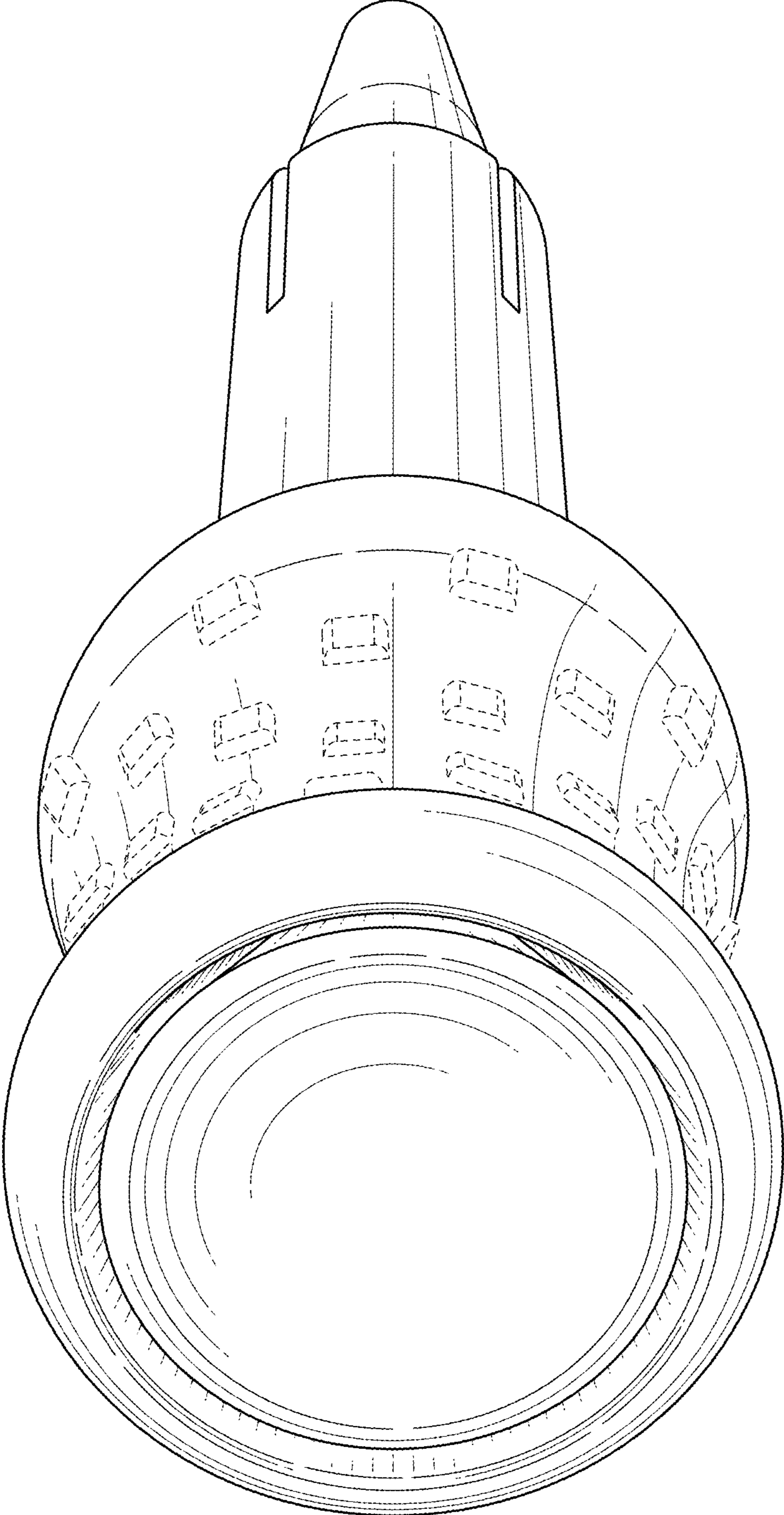


FIG. 3

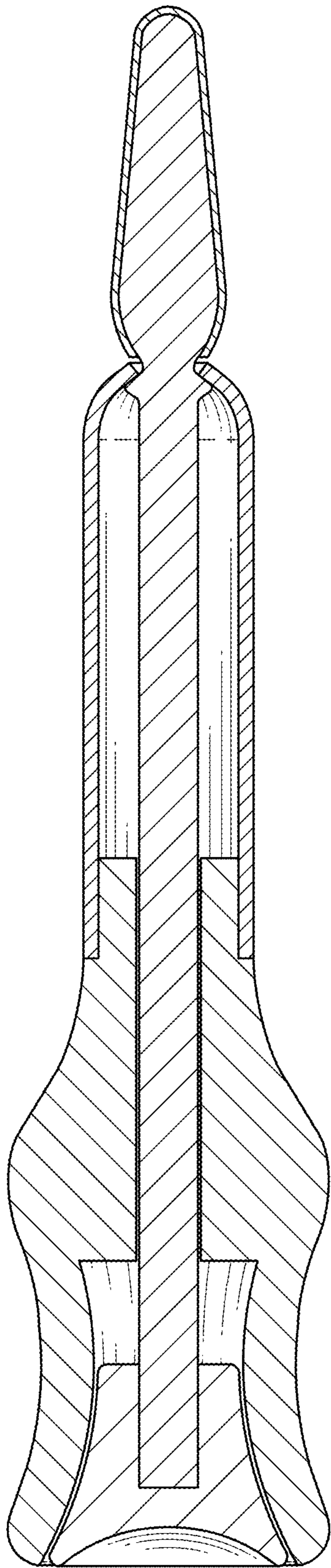


FIG. 4

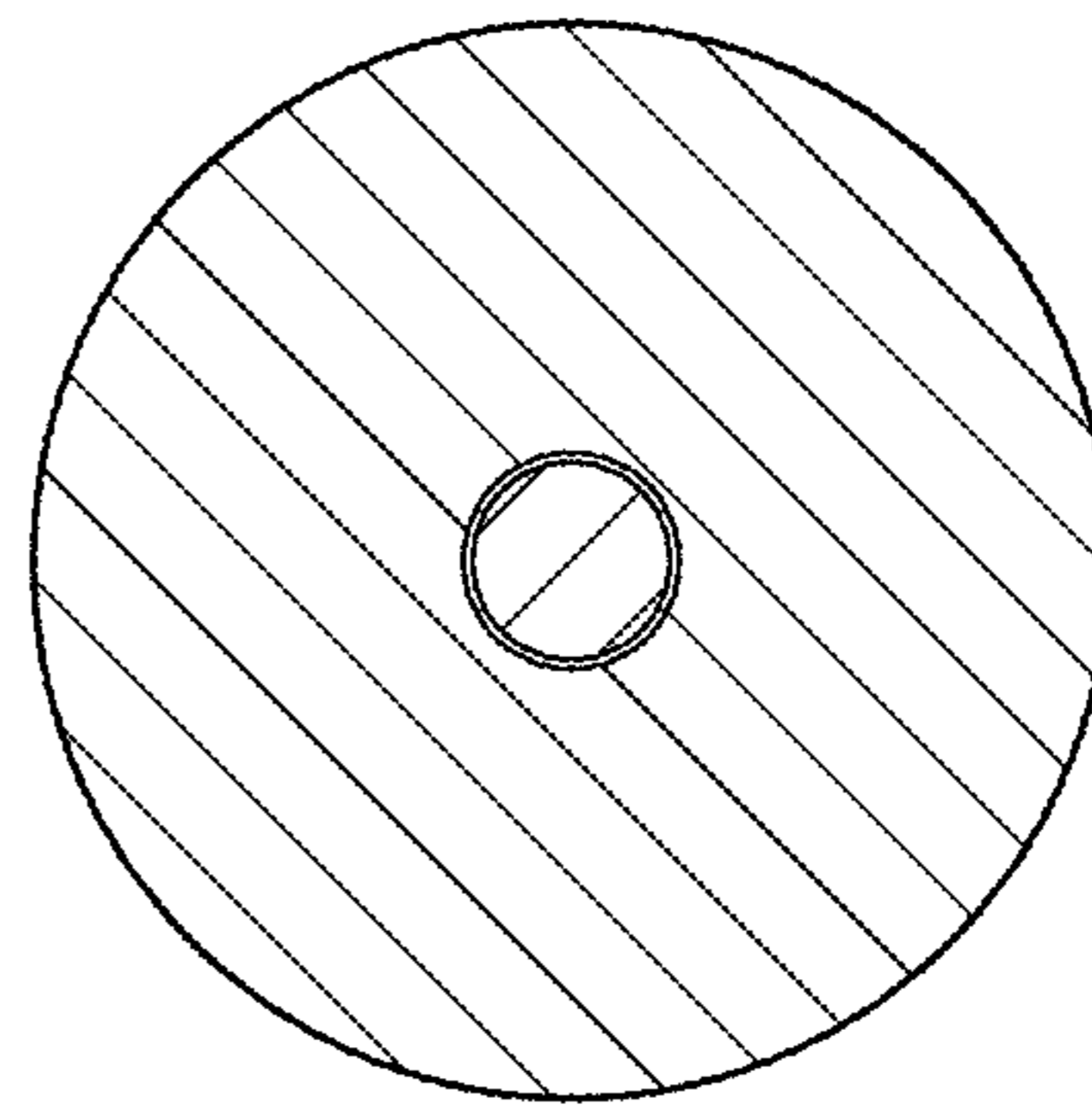


FIG. 5