



US00D827843S

(12) **United States Design Patent** (10) **Patent No.:** **US D827,843 S**
Bainton et al. (45) **Date of Patent:** **** Sep. 4, 2018**

(54) **SKIN TREATMENT DEVICE**
(71) Applicant: **Reckitt Benckiser (Brands) Limited**,
Slough (GB)
(72) Inventors: **Michael Bainton**, Warwick (GB); **Peter Kay**,
Warwick (GB); **Norman Stevenson**, Warwick (GB)
(73) Assignee: **RECKITT BENCKISER (BRANDS) LIMITED**,
Slough (GB)
(**) Term: **15 Years**
(21) Appl. No.: **29/609,785**
(22) Filed: **Jul. 5, 2017**
(30) **Foreign Application Priority Data**

D481,463 S * 10/2003 Cook D24/200
D484,987 S * 1/2004 Nan D24/215
D556,332 S * 11/2007 Han D24/200
D561,343 S * 2/2008 Liang D24/215
D585,997 S * 2/2009 Adam D24/107
D594,130 S * 6/2009 Scocimara D24/133
D637,309 S * 5/2011 Park D24/215
D638,132 S * 5/2011 Cole D24/200
D652,919 S * 1/2012 Sherwood D24/133
D656,620 S * 3/2012 Altshuler D24/209
D659,843 S * 5/2012 Wang D24/200
D667,115 S * 9/2012 Caballero D24/133
D695,903 S * 12/2013 Tamsiran D24/209
D716,446 S * 10/2014 Bitaraf D24/146
D734,479 S * 7/2015 Youngquist D24/158
D737,441 S * 8/2015 Presser D24/146
D738,516 S * 9/2015 Karim D24/200
D742,003 S * 10/2015 Tasar D24/146
D747,800 S * 1/2016 Dunleavy D24/133
D759,261 S * 6/2016 Son D24/215
D770,635 S * 11/2016 Cole D24/200
D772,419 S * 11/2016 Courtion D24/200

(Continued)

Jan. 10, 2017 (EM) 003616309-0003
(51) **LOC (11) Cl.** **28-03**
(52) **U.S. Cl.**
USPC **D24/200**
(58) **Field of Classification Search**
USPC D24/107, 133, 147, 186, 200, 209, 210,
D24/211, 214, 215
CPC A61B 5/441; A61B 5/442; A61B 5/443;
A61B 5/444; A61B 5/445; A61B 18/203;
A61B 5/0008; A61B 5/01; A61B 1/227;
A61N 5/0616; A61N 5/062; A61N
5/0613; A61N 2005/0644; A61F 7/007;
A61F 2007/0086; A61F 2007/0087;
G01K 5/22; G01K 13/00
See application file for complete search history.

Primary Examiner — Wan Laymon
Assistant Examiner — Clint A Samuel
(74) *Attorney, Agent, or Firm* — Troutman Sanders LLP;
Ryan Schneider; Chris Davis

(57) **CLAIM**

The ornamental design for a skin treatment device, as shown and described.

DESCRIPTION

FIG. 1 is a perspective view of our new design for a skin treatment device;
FIG. 2 is a back elevation view thereof;
FIG. 3 is a front elevation view thereof;
FIG. 4 is a left side elevation view thereof;
FIG. 5 is a right side elevation view thereof;
FIG. 6 is a top plan view thereof; and,
FIG. 7 is a bottom plan view thereof.

(56) **References Cited**
U.S. PATENT DOCUMENTS
D377,394 S * 1/1997 Tillman D24/215
D451,196 S * 11/2001 Block D24/112

1 Claim, 4 Drawing Sheets



(56)

References Cited

U.S. PATENT DOCUMENTS

D773,061	S *	11/2016	Loebel	D24/200
D780,933	S *	3/2017	Uchida	D24/200
D791,960	S *	7/2017	Guanying	D24/209
D795,423	S *	8/2017	Chen	D24/133
D797,287	S *	9/2017	de Albuquerque	D24/146
D799,694	S *	10/2017	Mori	D24/133
D802,784	S *	11/2017	Lee	D24/215
D819,221	S *	5/2018	Lei	D24/200
2006/0030908	A1 *	2/2006	Powell	A61N 5/0616 607/88
2006/0047330	A1 *	3/2006	Whatcott	A61N 5/0616 607/89
2011/0257521	A1 *	10/2011	Fraden	A61B 5/01 600/438
2012/0197357	A1 *	8/2012	Dewey	A61B 18/203 607/89
2013/0030422	A1 *	1/2013	Krishnan	A61N 5/0616 606/9
2013/0030505	A1 *	1/2013	Parent	A61N 5/0616 607/89
2013/0030506	A1 *	1/2013	Bartolone	A61N 5/0616 607/89
2013/0035746	A1 *	2/2013	Bouboulis	A61N 5/0603 607/89
2014/0121631	A1 *	5/2014	Bean	A61N 5/0616 604/500

* cited by examiner

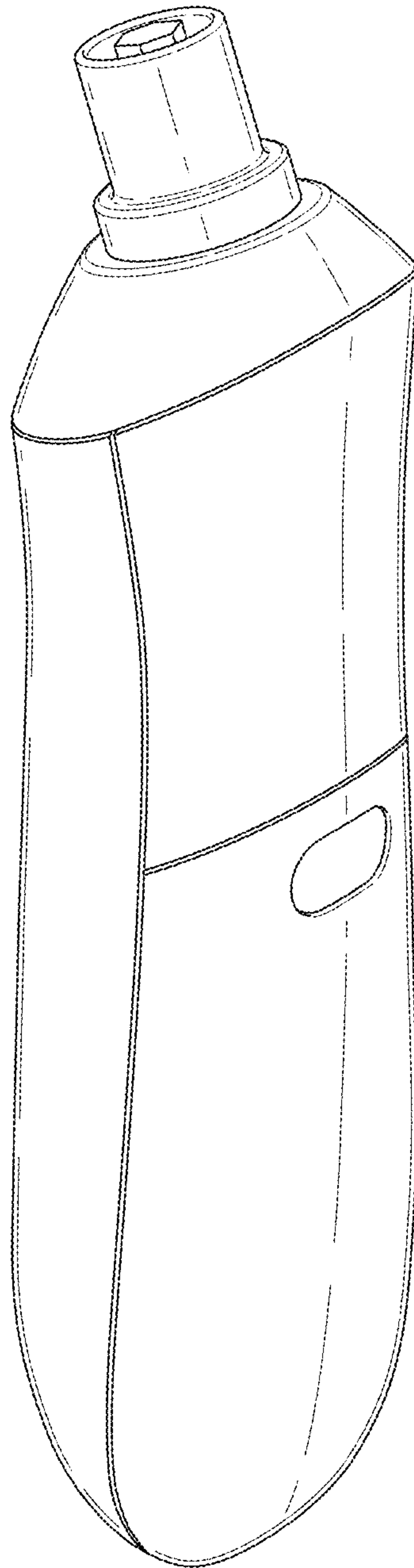


Fig. 1

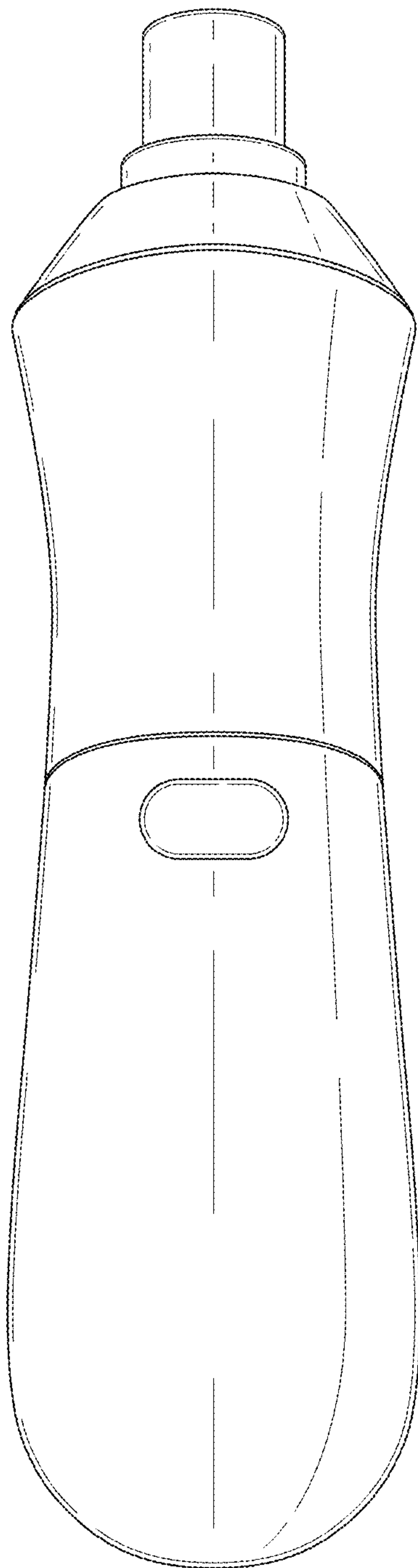


Fig. 2

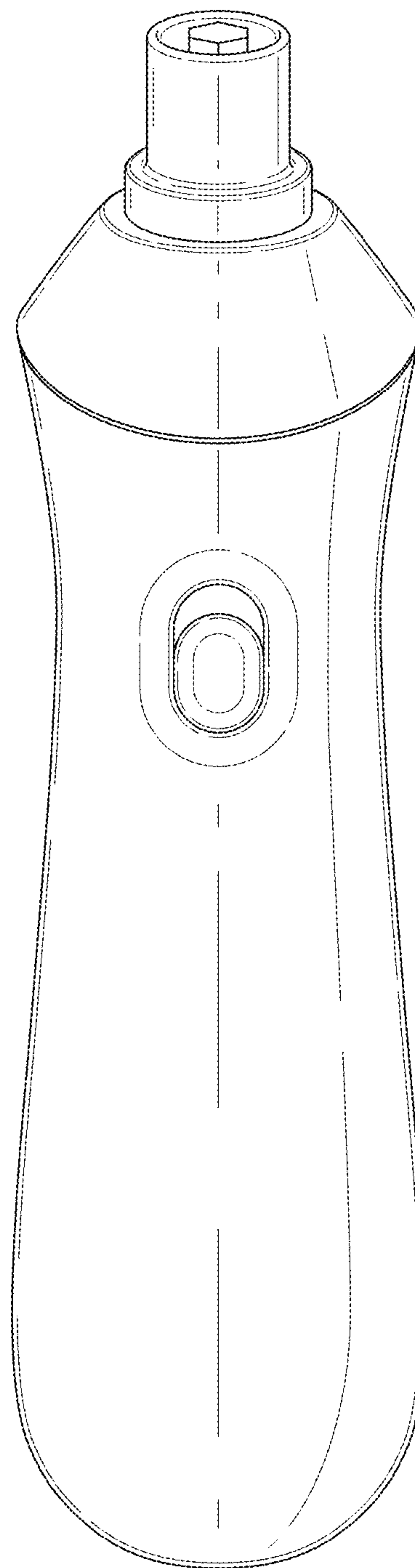


Fig. 3

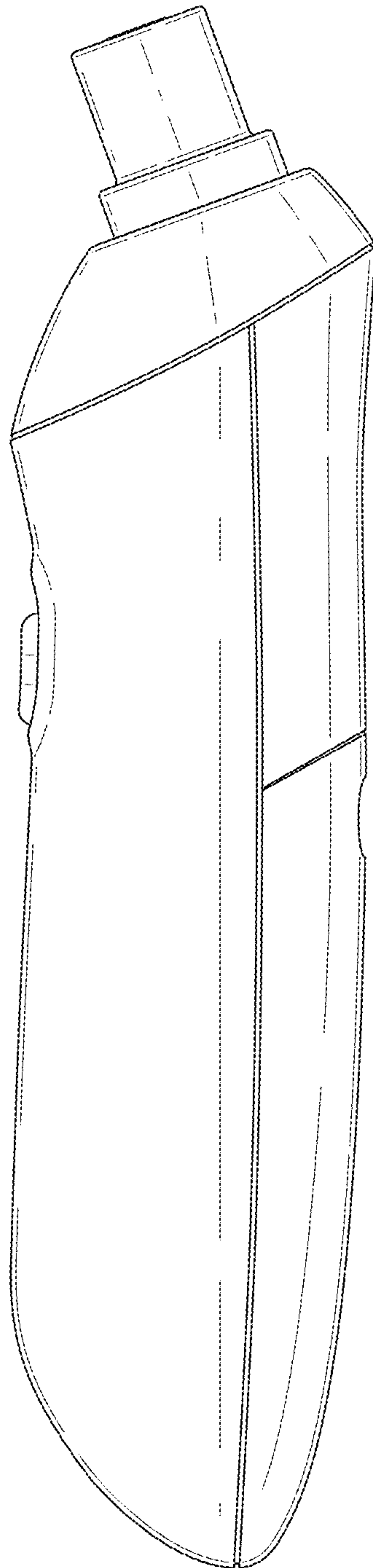


Fig. 4

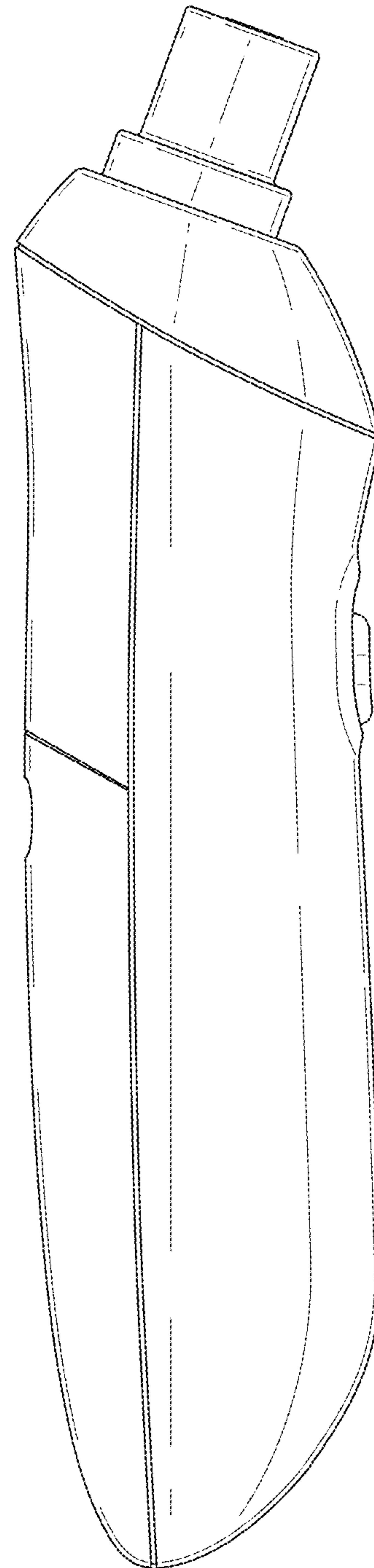


Fig. 5

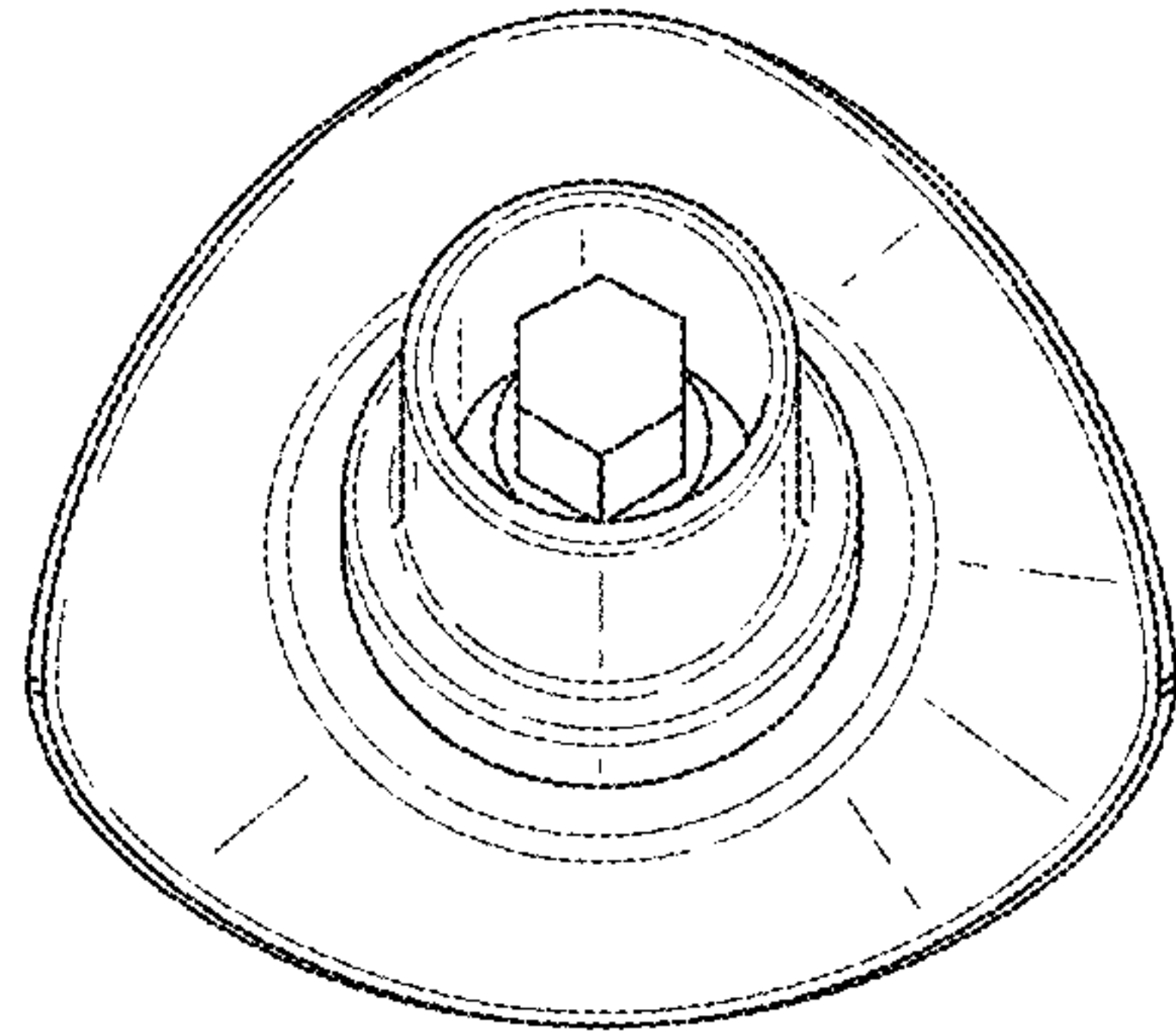


Fig. 6

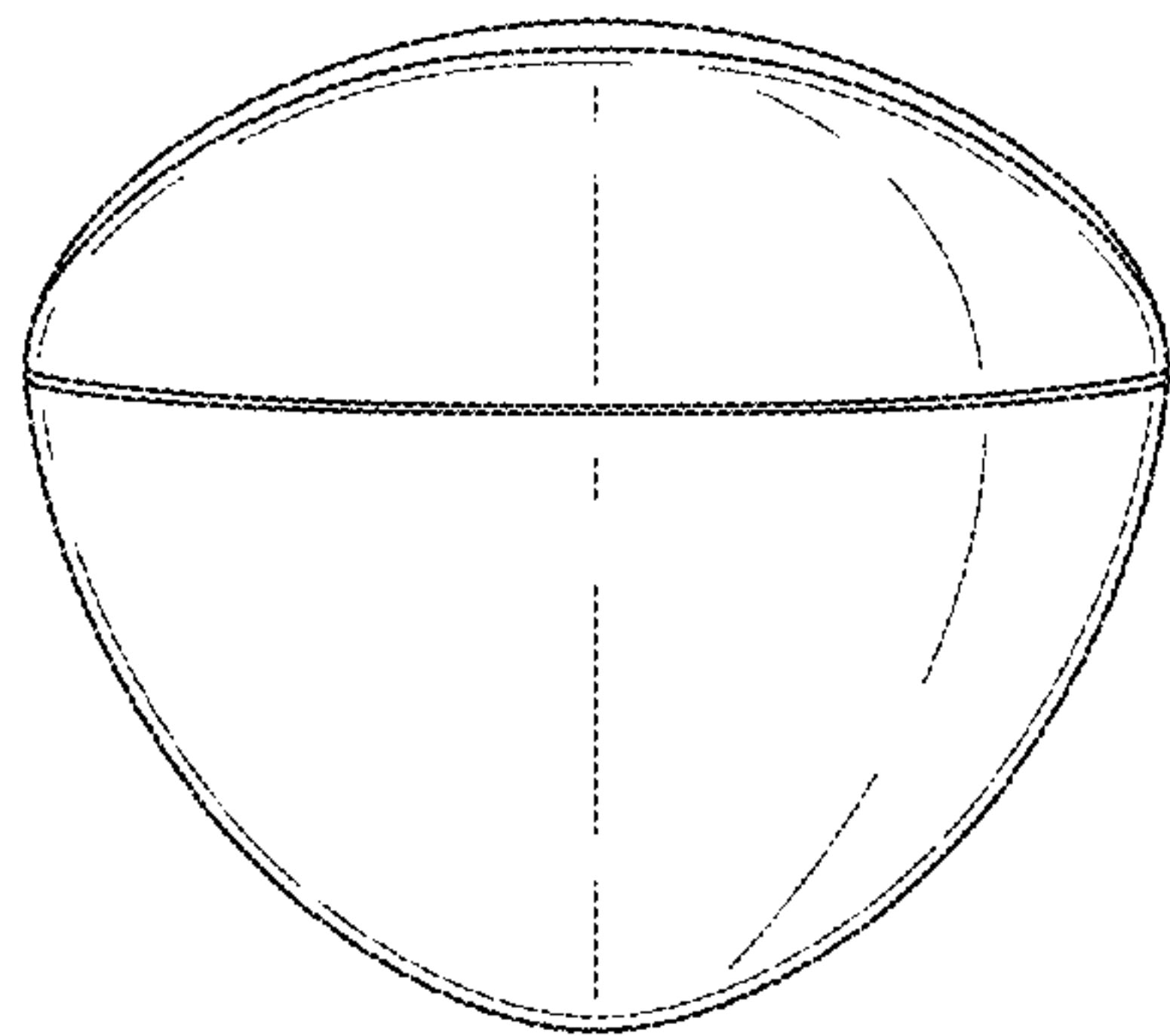


Fig. 7